

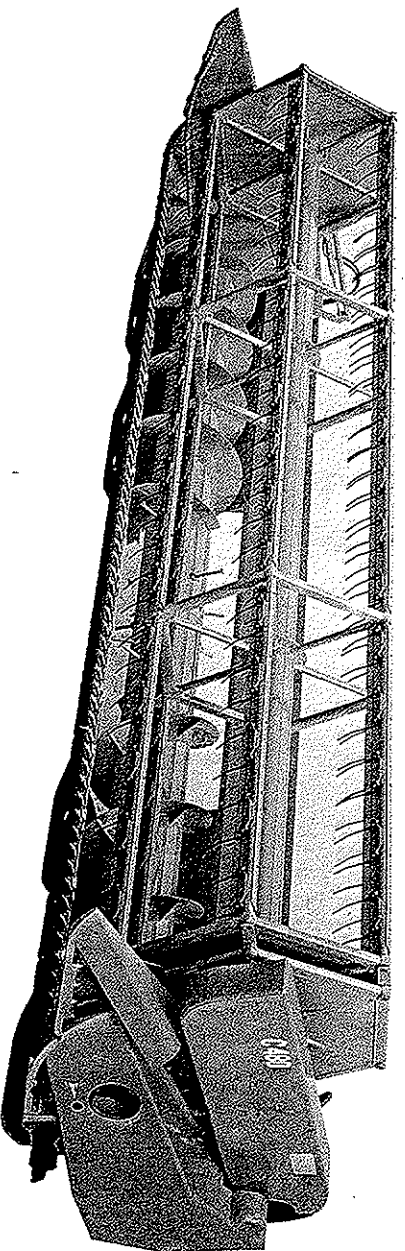
Piattaforma di taglio tipo «C»

Plateforme de coupe type «C»
Type «C» cutting table

Plataforma de corte tipo «C»
Schneidwerke des Typs «C»

3350 - 3350 AL - 3450

3600 - 3700 - 3900



LAVERDA RIF. 60461008

7/1984

Ditta PIETRO LAVERDA SPA - 36042 BREGANZE (Italia)

Telefono (0445) 873300 - Telegrammi Laverda-Breganze - Telex 480139 MALAV I

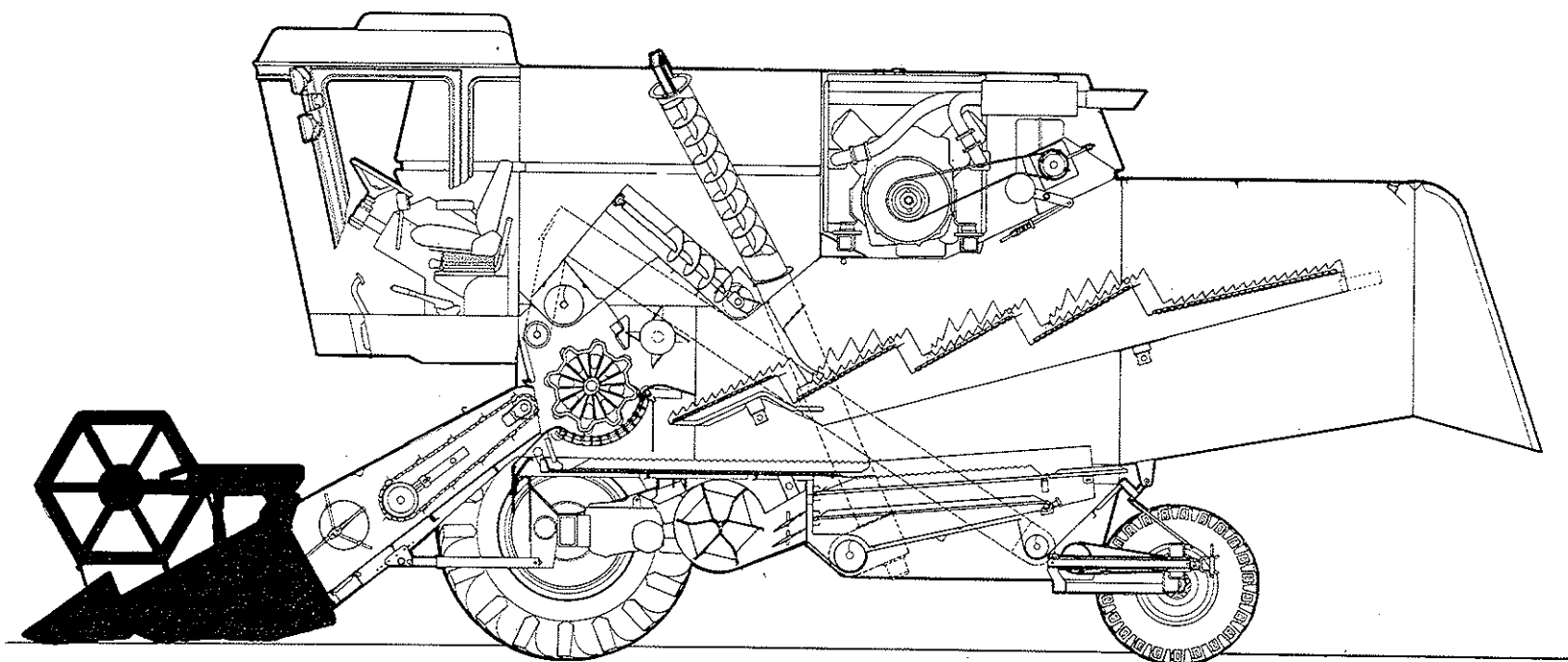
Le descrizioni e illustrazioni stampate sul presente manuale non sono impegnative. La Ditta Pietro Laverda perciò si riserva il diritto di apportare il qualsiasi momento, senza impegno di aggiornare detto manuale né le macchine già vendute, le modifiche di parti che ritenesse convenienti a scopo di miglioramento.

Les descriptions et illustrations imprimés sur ce catalogue sont sans engagement. La Société Pietro Laverda se réserve le droit de faire à n'importe quel moment, sans s'engager de mettre à jour ni ce catalogue ni les machines déjà vendues, les modifications des organes dans le but d'obtenir des améliorations.

Las descripciones e ilustraciones estampadas sobre el presente catalogo no son vinculantes. La firma Pietro Laverda se reserva el derecho de aportar en cualquier momento, sin poner al día dicho catalogo ni las máquinas ya vendidas, las modificaciones de partes que pudieran ser convenientes para mejorar el producto.

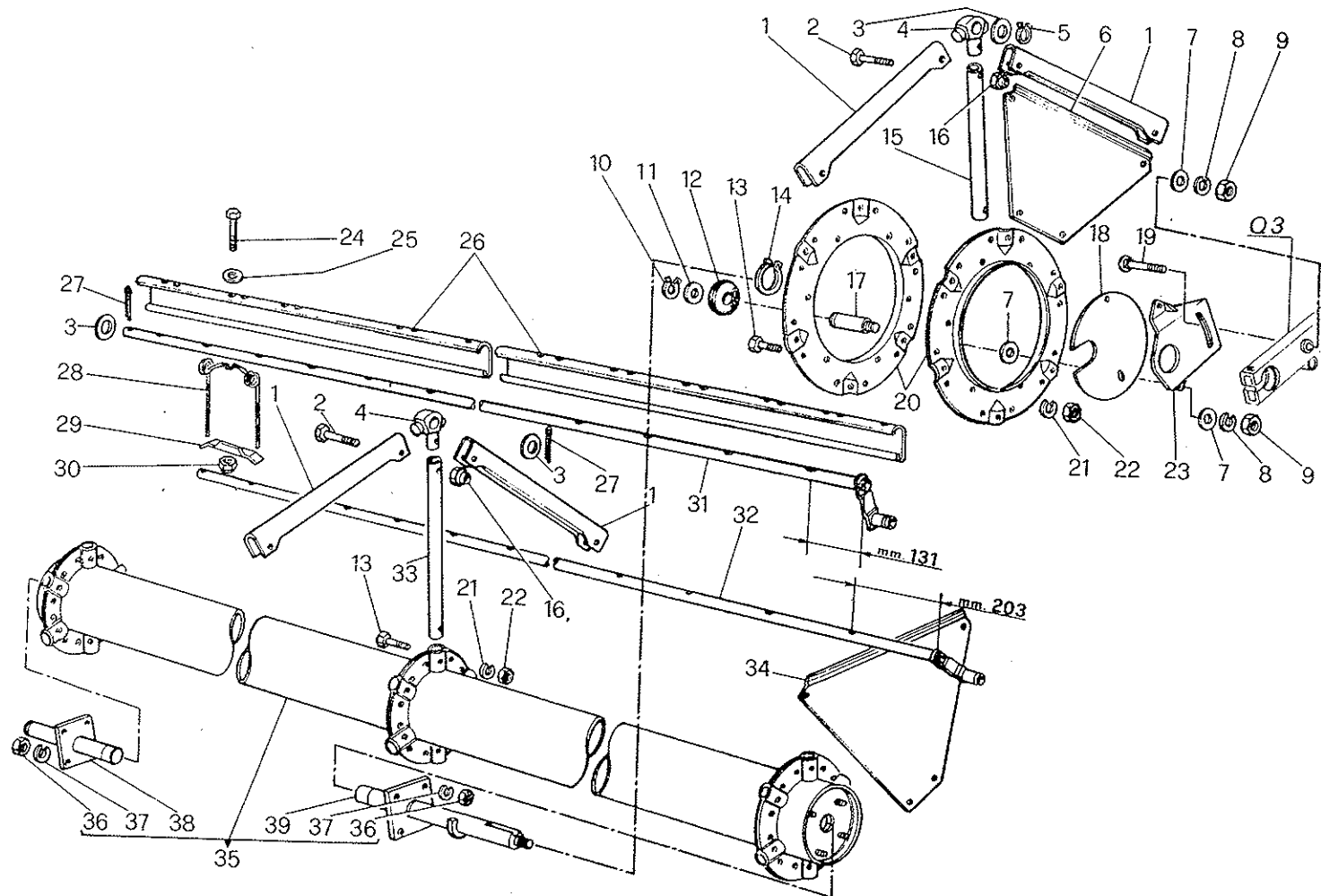
The descriptions and illustrations contained in this book are not binding. Ditta Pietro Laverda therefore reserve the right to effect modifications and or improvements at any time without commitment to alter this book or the machines already delivered.

Die in diesem Katalog aufgeführten Beschreibungen und Bilder sind unverbindlich. Es bleibt daher vorbehalten, dass Ditta Pietro Laverda alle eventuelle Änderungen oder Verbesserungen zu jederzeit vornehmen kann, und ist daher nicht verpflichtet weder Katalog noch die gelieferten Maschinen zu ändern.



| MODELLO - MODELLE - TIPO TYPE - MODELL | C 310 | C 360 | C 420 | C 480 | C 540 | C 600 | C 660 |
|-------------------------------------------|-------|-------|-------|-------|-------|-------|-------|
| 3350 | X | X | X | X | | | |
| 3350 AL | | | X | X | | | |
| 3450 | X | X | X | X | X | | |
| 3600 | | X | X | X | X | X | |
| 3700 | | | X | X | X | X | X |
| 3900 | | | | X | X | X | X |

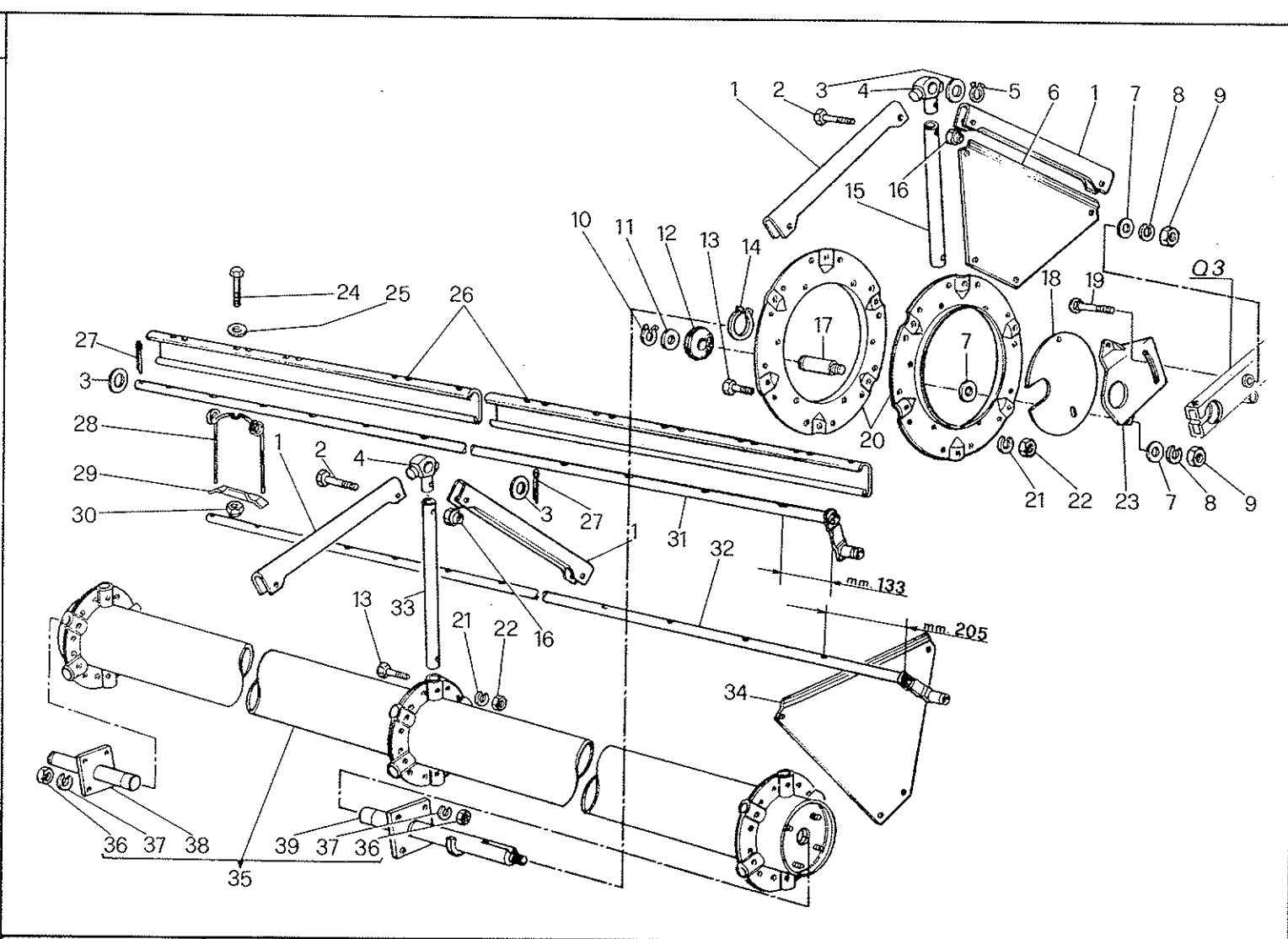
| MODIF. | RIF. | N° ORDIN. | QUANT. | NOTE |
|--------|------|------------|--------|------|
| | 1 | 1.33405 | 24 | |
| | 2 | 611.0822 | 24 | |
| | 3 | 355.37920 | 36 | |
| | 4 | 1.14513 | 24 | |
| | 5 | 357.126 | 6 | |
| | x 6 | 1.35029 | 1 | |
| | 7 | 355.01330 | 5 | |
| | 8 | 354.112 | 3 | |
| | 9 | 650.612 | 2 | |
| | 10 | 357.116 | 2 | |
| | 11 | 355.32620 | 2 | |
| | 12 | 1.14595 | 2 | |
| | 13 | 621.0812 | 54 | |
| | 14 | 357.150 | 1 | |
| | 15 | 1.14592 | 6 | |
| | 16 | 653.408 | 24 | |
| | 17 | 1.31753 | 2 | |
| | 18 | 1.15962 | 1 | |
| | 19 | 1.15065 | 1 | |
| | 20 | 1.14516 | 2 | |
| | 21 | 354.108 | 54 | |
| | 22 | 650.108 | 54 | |
| | 23 | 1.31752 | 1 | |
| | 24 | 611.0624 | 60 | |
| | •25 | 355.00715 | 60 | |
| | •26 | 1.14798 | 12 | |
| | 27 | 377.440 | 30 | |
| | 28 | 1.14786 | 72 | |
| | 29 | 1.15127 | 72 | |
| | 30 | 653.406 | 60 | |
| | 31 | 1.14836 | 3 | |
| | 32 | 1.14539 | 3 | |
| | 33 | 1.14512 | 18 | |
| | x34 | 1.35028 | 12 | |
| | 35 | 1.15097.00 | 1 | |
| | 36 | 650.110 | (8) | |
| | 37 | 354.110 | (8) | |
| | 38 | 1.14489 | (1) | |
| | 39 | 1.32742 | (1) | |



| | | |
|--------------|-------------------------------------------------|------------------------------------|
| C 310 | ASPO RABATTEUR MOLINETE REEL HASPEL | Q 1 A |
| | | 5F750C61 •5F170B23 x5F170A07 |
| 2/1983 | | |

| MODIF. | RIF. | N° ORDIN. | DENOMINAZIONE | DESIGNATION | DENOMINACIONES | DESCRIPTION | BENENNUNG |
|--------|------|------------|--------------------------------|---------------------|----------------------|------------------|-----------------|
| | 1 | 1.33405 | COLLEGAMENTO STELLA | LIAISON | CONEXION | CONNECTION | VERBINDUNG |
| | 2 | 611.0822 | VITE | VIS | TORNILLO | SCREW | SCHRAUBE |
| | 3 | 355.37920 | RONDELLA | RONDELLE | ARANDELA | WASHER | SCHEIBE |
| | 4 | 1.14513 | SUPPORTO ASTE GIREVOLI | SUPPORT | SOPORTE | SUPPORT | HALTERUNG |
| | 5 | 357.126 | ANELLO ELASTICO | CIRCLIPS | ANILLO ELASTICO | CIRCLIP | SICHERUNGSRING |
| | 6 | 1.35029 | PROTEZIONE STELLA COM. ASPO | PROTECTEUR | PROTECCION | GUARD | SCHUTZBLECH |
| | 7 | 355.01330 | RONDELLA | RONDELLE | ARANDELA | WASHER | SCHEIBE |
| | 8 | 354.112 | ROSETTA ELASTICA | RONDELLE W | ARANDELA ELASTICA | SPRING WASHER | FEDERSCHEIBE |
| | 9 | 650.612 | DADO | ECROU | TUERCA | NUT | MUTTER |
| | 10 | 357.116 | ANELLO ELASTICO | CIRCLIPS | ANILLO ELASTICO | CIRCLIP | SICHERUNGSRING |
| | 11 | 355.32620 | RONDELLA | RONDELLE | ARANDELA | WASHER | SCHEIBE |
| | 12 | 1.14595 | PULEGGIA GUIDASTELLA | POULIE | POLEA | PULLEY | RIEMENSCHLEIBE |
| | 13 | 621.0812 | VITE | VIS | TORNILLO | SCREW | SCHRAUBE |
| | 14 | 357.150 | ANELLO ELASTICO | CIRCLIPS | ANILLO ELASTICO | CIRCLIP | SICHERUNGSRING |
| | 15 | 1.14592 | RAZZA STELLA ASPO | BRAS | RAYO | SPOKE | SPEICHER |
| | 16 | 653.408 | DADO AUTOFRENANTE | ECROU | TUERCA | NUT | MUTTER |
| | 17 | 1.31753 | PERNO PULEGGIA | AXE | EJE | PIN | BOLZEN |
| | 18 | 1.15962 | PROTEZIONE PULEGGE GUIDASTELLA | PROTECTEUR | PROTECCION | GUARD | SCHUTZBLECH |
| | 19 | 1.15065 | VITE SPECIALE | VIS SPECIAL | TORNILLO ESPECIAL | SPECIAL SCREW | SPEZIALSCHRAUBE |
| | 20 | 1.14516 | ANELLO SUPPORTO STELLA | ANNEAU | ANILLO | RING | RING |
| | 21 | 354.108 | ROSETTA ELASTICA | RONDELLE W | ARANDELA ELASTICA | SPRING WASHER | FEDERSCHLEIBE |
| | 22 | 650.108 | DADO | ECROU | TUERCA | NUT | MUTTER |
| | 23 | 1.31752 | SUPPORTO PULEGGE | SUPPORT | SOPORTE | SUPPORT | HALTERUNG |
| | 24 | 611.0624 | VITE | VIS | TORNILLO | SCREW | SCHRAUBE |
| | 25 | 355.00715 | RONDELLA | RONDELLE | ARANDELA | WASHER | SCHEIBE |
| | 26 | 1.14798 | PROTEZIONE DENTI ASPO | PROTECTEUR | PROTECCION | GUARD | SCHUTZBLECH |
| | 27 | 377.440 | COPIGLIA | GOUPILE | PASADOR ABIERTO | COTTER PIN | SPLINT |
| | 28 | 1.14786 | DENTE ASPO | DENT | DIENTE | SPIKE TOOTH | ZINKE |
| | 29 | 1.15127 | FERMO PER DENTE ASPO | ARRET | TOPE | STOP | ARRETIERUNG |
| | 30 | 653.406 | DADO AUTOFRENANTE | ECROU | TUERCA | NUT | MUTTER |
| | 31 | 1.14836 | SPRANGA GIREVOLE | PALE | BARRA | WOODEN BAR | HASPELLEISTE |
| | 32 | 1.14539 | SPRANGA GIREVOLE | PALE | BARRA | WOODEN BAR | HASPELLEISTE |
| | 33 | 1.14512 | RAZZA STELLA ASPO | BRAS | RAYO | SPOKE | SPEICHER |
| | 34 | 1.35028 | PROTEZIONE ASPO | PROTECTEUR | PROTECCION | GUARD | SCHUTZBLECH |
| | 35 | 1.15097.00 | COMPL. ALBERO ASPO | ARBRE RABATTEUR CPT | CONJ. ARBOL MOLINETE | REEL SHAFT, ASSY | HASPELWELLE KPL |
| | 36 | 650.110 | DADO | ECROU | TUERCA | NUT | MUTTER |
| | 37 | 354.110 | ROSETTA ELASTICA | RONDELLE W | ARANDELA ELASTICA | SPRING WASHER | FEDERSCHLEIBE |
| | 38 | 1.14489 | ALBERO D. ASPO | ARBRE D. | ARBOL DE. | SHAFT, R.H. | WELLE R. |
| | 39 | 1.32742 | ALBERO S. ASPO | ARBRE G. | ARBOL IZ. | SHAFT, L.H. | WELLE L. |

| MODIF. | RIF. | N° ORDIN. | QUANT. | NOTE |
|--------|------|------------|--------|------|
| | 1 | 1.33405 | 24 | |
| | 2 | 611.0822 | 24 | |
| | 3 | 355.37920 | 36 | |
| | 4 | 1.14513 | 24 | |
| | 5 | 357.126 | 6 | |
| | x 6 | 1.35029 | 1 | |
| | 7 | 355.01330 | 5 | |
| | 8 | 354.112 | 3 | |
| | 9 | 650.612 | 2 | |
| | 10 | 357.116 | 2 | |
| | 11 | 355.32620 | 2 | |
| | 12 | 1.14595 | 2 | |
| | 13 | 621.0812 | 54 | |
| | 14 | 357.150 | 1 | |
| | 15 | 1.14592 | 6 | |
| | 16 | 653.408 | 24 | |
| | 17 | 1.31753 | 2 | |
| | 18 | 1.15962 | 1 | |
| | 19 | 1.15065 | 1 | |
| | 20 | 1.14516 | 2 | |
| | 21 | 354.108 | 54 | |
| | 22 | 650.108 | 54 | |
| | 23 | 1.31752 | 1 | |
| | 24 | 611.0624 | 72 | |
| | •25 | 355.00715 | 72 | |
| | •26 | 1.14799 | 12 | |
| | 27 | 377.440 | 30 | |
| | 28 | 1.14786 | 72 | |
| | 29 | 1.15127 | 72 | |
| | 30 | 653.406 | 72 | |
| | 31 | 1.14845 | 3 | |
| | 32 | 1.14540 | 3 | |
| | 33 | 1.14512 | 18 | |
| | x34 | 1.35028 | 12 | |
| | 35 | 1.15098.00 | 1 | |
| | 36 | 650.110 | (8) | |
| | 37 | 354.110 | (8) | |
| | 38 | 1.14489 | (1) | |
| | 39 | 1.32742 | (1) | |



C 360

2/1983

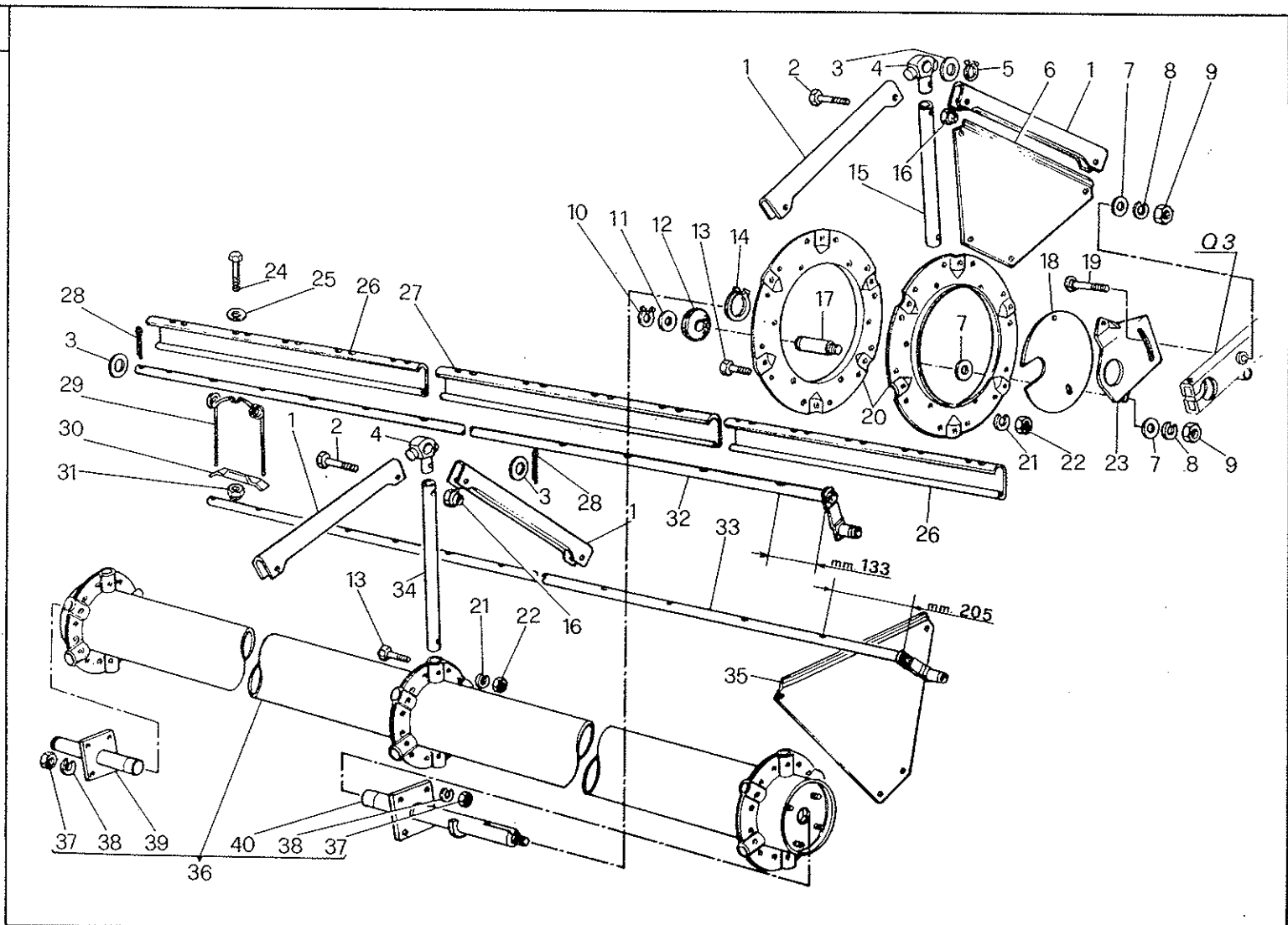
ASPO
RABATTEUR
MOLINETE
REEL
HASPEL

Q 1 B

5F750C63
•5F170B25
x5F170A07

| MODIF. | RIF. | N° ORDIN. | DENOMINAZIONE | DESIGNATION | DENOMINACIONES | DESCRIPTION | BENENNUNG |
|--------|------|------------|--------------------------------|---------------------|----------------------|------------------|-----------------|
| | 1 | 1.33405 | COLLEGAMENTO STELLA | LIAISON | CONEXION | CONNECTION | VERBINDUNG |
| | 2 | 611.0822 | VITE | VIS | TORNILLO | SCREW | SCHRAUBE |
| | 3 | 355.37920 | RONDELLA | RONDELLE | ARANDELA | WASHER | SCHEIBE |
| | 4 | 1.14513 | SUPPORTO ASTE GIREVOLI | SUPPORT | SOPORTE | SUPPORT | HALTERUNG |
| | 5 | 357.126 | ANELLO ELASTICO | CIRCLIPS | ANILLO ELASTICO | CIRCLIP | SICHERUNGSRING |
| | 6 | 1.35029 | PROTEZIONE STELLA COMANDO ASPO | PROTECTEUR | PROTECCION | GUARD | SCHUTZBLECH |
| | 7 | 355.01330 | RONDELLA | RONDELLE | ARANDELA | WASHER | SCHEIBE |
| | 8 | 354.112 | ROSETTA ELASTICA | RONDELLE W | ARANDELA ELASTICA | SPRING WASHER | FEDERSCHEIBE |
| | 9 | 650.612 | DADO | ECROU | TUERCA | NUT | MUTTER |
| | 10 | 357.116 | ANELLO ELASTICO | CIRCLIPS | ANILLO ELASTICO | CIRCLIP | SICHERUNGSRING |
| | 11 | 355.32620 | RONDELLA | RONDELLE | ARANDELA | WASHER | SCHEIBE |
| | 12 | 1.14595 | PULEGGIA GUIDASTELLA | POULIE | POLEA | PULLEY | RIEMENSCHLEIBE |
| | 13 | 621.0812 | VITE | VIS | TORNILLO | SCREW | SCHRAUBE |
| | 14 | 357.150 | ANELLO ELASTICO | CIRCLIPS | ANILLO ELASTICO | CIRCLIP | SICHERUNGSRING |
| | 15 | 1.14592 | RAZZA STELLA ASPO | BRAS | RAYO | SPOKE | SPEICHER |
| | 16 | 653.408 | DADO AUTOFRENANTE | ECROU | TUERCA | NUT | MUTTER |
| | 17 | 1.31753 | PERNO PULEGGIA | AXE | EJE | PIN | BOLZEN |
| | 18 | 1.15962 | PROTEZIONE PULEGGE GUIDASTELLA | PROTECTEUR | PROTECCION | GUARD | SCHUTZBLECH |
| | 19 | 1.15065 | VITE SPECIALE | VIS SPECIAL | TORNILLO ESPECIAL | SPECIAL SCREW | SPECIALSCHRAUBE |
| | 20 | 1.14516 | ANELLO SUPPORTO STELLA | ANNEAU | ANILLO | RING | RING |
| | 21 | 354.108 | ROSETTA ELASTICA | RONDELLE W | ARANDELA ELASTICA | SPRING WASHER | FEDERSCHLEIBE |
| | 22 | 650.108 | DADO | ECROU | TUERCA | NUT | MUTTER |
| | 23 | 1.31752 | SUPPORTO PULEGGE GUIDASTELLA | SUPPORT | SOPORTE | SUPPORT | HALTERUNG |
| | 24 | 611.0624 | VITE | VIS | TORNILLO | SCREW | SCHRAUBE |
| | 25 | 355.00715 | RONDELLA | RONDELLE | ARANDELA | WASHER | SCHEIBE |
| | 26 | 1.14799 | PROTEZIONE DENTI ASPO | PROTECTEUR | PROTECCION | GUARD | SCHUTZBLECH |
| | 27 | 377.440 | COPIGLIA | GOUPILLE | PASADOR ABIERTO | COTTER PIN | SPLINT |
| | 28 | 1.14786 | DENTE ASPO | DENT | DIENTE | SPIKE TOOTH | ZINKE |
| | 29 | 1.15127 | FERMO PER DENTE ASPO | ARRET | TOPE | STOP | ARRETIERUNG |
| | 30 | 653.406 | DADO AUTOFRENANTE | ECROU | TUERCA | NUT | MUTTER |
| | 31 | 1.14845 | SPRANGA GIREVOLE | PALE | BARRA | WOODEN BAR | HASPELLEISTE |
| | 32 | 1.14540 | SPRANGA GIREVOLE | PALE | BARRA | WOODEN BAR | HASPELLEISTE |
| | 33 | 1.14512 | RAZZA STELLA ASPO | BRAS | RAYO | SPOKE | SPEICHER |
| | 34 | 1.35028 | PROTEZIONE ASPO | PROTECTEUR | PROTECCION | GUARD | SCHUTZBLECH |
| | 35 | 1.15098.00 | COMPL. ALBERO ASPO | ARBRE RABATTEUR CPT | CONJ. ARBOL MOLINETE | REEL SHAFT, ASSY | HASPELWELLE KPL |
| | 36 | 650.110 | DADO | ECROU | TUERCA | NUT | MUTTER |
| | 37 | 354.110 | ROSETTA ELASTICA | RONDELLE W | ARANDELA ELASTICA | SPRING WASHER | FEDERSCHLEIBE |
| | 38 | 1.14489 | ALBERO D. ASPO | ARBRE D. | ARBOL DE. | SHAFT, R.H. | WELLE R. |
| | 39 | 1.32742 | ALBERO S. ASPO | ARBRE G. | ARBOL IZ. | SHAFT, L.H. | WELLE L. |

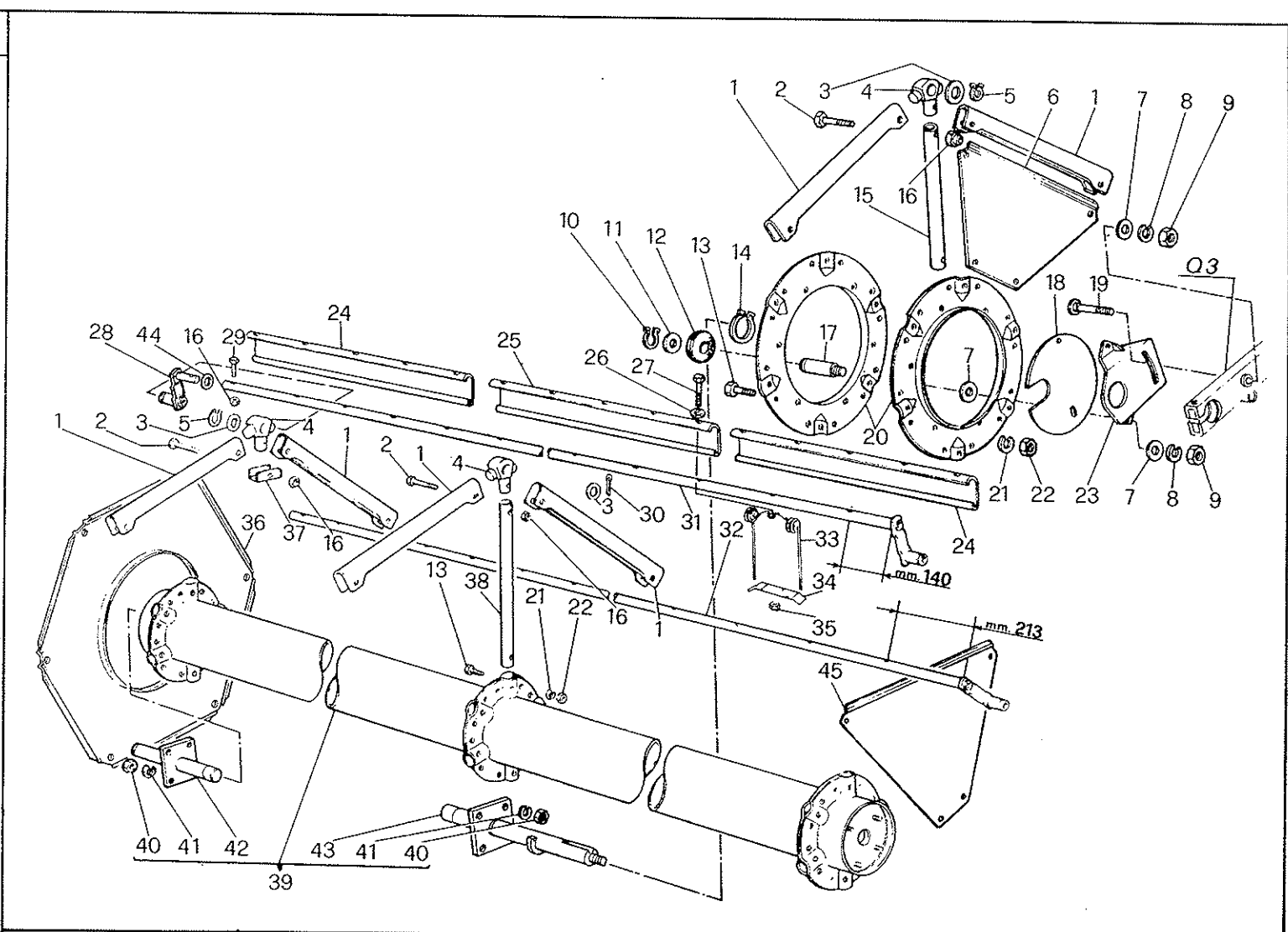
| MODIF. | RIF. | N° ORDIN. | QUANT. | NOTE |
|--------|------|------------|--------|------|
| | 1 | 1.33405 | 30 | |
| | 2 | 611.0822 | 30 | |
| | 3 | 355.37920 | 48 | |
| | 4 | 1.14513 | 30 | |
| | 5 | 357.126 | 6 | |
| | x 6 | 1.35029 | 1 | |
| | 7 | 355.01330 | 5 | |
| | 8 | 354.112 | 3 | |
| | 9 | 650.612 | 3 | |
| | 10 | 357.116 | 2 | |
| | 11 | 355.32620 | 2 | |
| | 12 | 1.14595 | 2 | |
| | 13 | 621.0812 | 66 | |
| | 14 | 357.150 | 1 | |
| | 15 | 1.14592 | 6 | |
| | 16 | 653.408 | 30 | |
| | 17 | 1.31753 | 2 | |
| | 18 | 1.15962 | 1 | |
| | 19 | 1.15065 | 1 | |
| | 20 | 1.14516 | 2 | |
| | 21 | 354.108 | 66 | |
| | 22 | 650.108 | 66 | |
| | 23 | 1.31752 | 1 | |
| | 24 | 611.0624 | 84 | |
| | •25 | 355.00715 | 84 | |
| | •26 | 1.14801 | 12 | |
| | •27 | 1.14800 | 6 | |
| | 28 | 377.440 | 42 | |
| | 29 | 1.14786 | 84 | |
| | 30 | 1.15127 | 84 | |
| | 31 | 653.406 | 84 | |
| | 32 | 1.14846 | 3 | |
| | 33 | 1.14541 | 3 | |
| | 34 | 1.14512 | 24 | |
| | x35 | 1.35028 | 12 | |
| | 36 | 1.15100.00 | 1 | |
| | 37 | 650.110 | (8) | |
| | 38 | 354.110 | (8) | |
| | 39 | 1.14489 | (1) | |
| | 40 | 1.32742 | (1) | |



| | | |
|--------------|-------------------------------------------------|------------------------------------|
| C 420 | ASPO RABATTEUR MOLINETE REEL HASPEL | Q1D |
| | 2/1983 | 5F750C67 •5F170B29 x5F170A07 |

| MODIF. | RIF. | N° ORDIN. | DENOMINAZIONE | DESIGNATION | DENOMINACIONES | DESCRIPTION | BENENNUNG |
|--------|------|------------|--------------------------------|---------------------|----------------------|------------------|------------------|
| | 1 | 1.33405 | COLLEGAMENTO STELLA | LIAISON | CONEXION | CONNECTION | VERBINDUNG |
| | 2 | 611.0822 | VITE | VIS | TORNILLO | SCREW | SCHRAUBE |
| | 3 | 355.37920 | RONDELLA | RONDELLE | ARANDELA | WASHER | SCHLEIBE |
| | 4 | 1.14513 | SUPPORTO ASTE GIREVOLI | SUPPORT | SOPORTE | SUPPORT | HALTERUNG |
| | 5 | 357.126 | ANELLO ELASTICO | CIRCLIPS | ANILLO ELASTICO | CIRCLIP | SICHERUNGSRING |
| | 6 | 1.35029 | PROTEZIONE STELLA COMANDO ASPO | PROTECTEUR | PROTECCION | GUARD | SCHUTZBLECH |
| | 7 | 355.01330 | RONDELLA | RONDELLE | ARANDELA | WASHER | SCHLEIBE |
| | 8 | 354.112 | ROSETTA ELASTICA | RONDELLE W | ARANDELA ELASTICA | SPRING WASHER | FEDERSCHLEIBE |
| | 9 | 650.612 | DADO | ECROU | TUERCA | NUT | MUTTER |
| | 10 | 357.116 | ANELLO ELASTICO | CIRCLIPS | ANILLO ELASTICO | CIRCLIP | SICHERUNGSRING |
| | 11 | 355.32620 | RONDELLA | RONDELLE | ARANDELA | WASHER | SCHLEIBE |
| | 12 | 1.14595 | PULEGGIA GUIDASTELLA | POULIE | POLEA | PULLEY | RIEMENSCHLEIBE |
| | 13 | 621.0812 | VITE | VIS | TORNILLO | SCREW | SCHRAUBE |
| | 14 | 357.150 | ANELLO ELASTICO | CIRCLIPS | ANILLO ELASTICO | CIRCLIP | SICHERUNGSRING |
| | 15 | 1.14592 | RAZZA STELLA ASPO | BRAS | RAYO | SPOKE | SPEICHER |
| | 16 | 653.408 | DADO AUTOFRENANTE | ECROU | TUERCA | NUT | MUTTER |
| | 17 | 1.31753 | PERNO PULEGGIA | AXE | EJE | PIN | BOLZEN |
| | 18 | 1.15962 | PROTEZIONE PULEGGE GUIDASTELLA | PROTECTEUR | PROTECCION | GUARD | SCHUTZBLECH |
| | 19 | 1.15065 | VITE SPECIALE | VIS SPECIAL | TORNILLO ESPECIAL | SPECIAL SCREW | SPEZIALSCHRAUBE |
| | 20 | 1.14516 | ANELLO SUPPORTO STELLA | ANNEAU | ANILLO | RING | RING |
| | 21 | 354.108 | ROSETTA ELASTICA | RONDELLE W | ARANDELA ELASTICA | SPRING WASHER | FEDERSCHLEIBE |
| | 22 | 650.108 | DADO | ECROU | TUERCA | NUT | MUTTER |
| | 23 | 1.31752 | SUPPORTO PULEGGE GUIDASTELLA | SUPPORT | SOPORTE | SUPPORT | HALTERUNG |
| | 24 | 611.0624 | VITE | VIS | TORNILLO | SCREW | SCHRAUBE |
| | 25 | 355.00715 | RONDELLA | RONDELLE | ARANDELA | WASHER | SCHLEIBE |
| | 26 | 1.14801 | PROTEZIONE LATERALE DENTE | PROTECTEUR | PROTECCION | GUARD | SCHUTZBLECH |
| | 27 | 1.14800 | PROTEZIONE CENTRALE DENTE | PROTECTEUR | PROTECCION | GUARD | SCHUTZBLECH |
| | 28 | 377.440 | COPIGLIA | GOUPILLE | PASADOR ABIERTO | COTTER PIN | SPLINT |
| | 29 | 1.14786 | DENTE ASPO | DENT | DIENTE | SPIKE TOOTH | ZINKE |
| | 30 | 1.15127 | FERMO PER DENTE ASPO | ARRET | TOPE | STOP | ARRETIERUNG |
| | 31 | 653.406 | DADO AUTOFRENANTE | ECROU | TUERCA | NUT | MUTTER |
| | 32 | 1.14846 | SPRANGA GIREVOLE | PALE | BARRA | WOODEN BAR | HASPELLEISTE |
| | 33 | 1.14541 | SPRANGA GIREVOLE | PALE | BARRA | WOODEN BAR | HASPELLEISTE |
| | 34 | 1.14512 | RAZZA STELLA ASPO | BRAS | RAYO | SPOKE | SPEICHER |
| | 35 | 1.35028 | PROTEZIONE ASPO | PROTECTEUR | PROTECCION | GUARD | SCHUTZBLECH |
| | 36 | 1.15100.00 | COMPL. ALBERO ASPO | ARBRE RABATTEUR CPT | CONJ. ARBOL MOLINETE | REEL SHAFT, ASSY | HASPELLEISTE KPL |
| | 37 | 650.110 | DADO | ECROU | TUERCA | NUT | MUTTER |
| | 38 | 354.110 | ROSETTA ELASTICA | RONDELLE W | ARANDELA ELASTICA | SPRING WASHER | FEDERSCHLEIBE |
| | 39 | 1.14489 | ALBERO D. ASPO | ARBRE D. | ARBOL DE. | SHAFT, R.H. | WELLE R. |
| | 40 | 1.32742 | ALBERO S. ASPO | ARBRE G. | ARBOL IZ. | SHAFT, L.H. | WELLE L. |

| MODIF. | RIF. | N° ORDIN. | QUANT. | NOTE |
|--------|------|------------|--------|------|
| | 1 | 1.33405 | 36 | |
| | 2 | 611.0822 | 36 | |
| | 3 | 355.37920 | 48 | |
| | 4 | 1.14513 | 36 | |
| | 5 | 357.126 | 12 | |
| | x 6 | 1.35029 | 1 | |
| | 7 | 355.01330 | 5 | |
| | 8 | 354.112 | 3 | |
| | 9 | 650.612 | 3 | |
| | 10 | 357.116 | 2 | |
| | 11 | 355.32620 | 2 | |
| | 12 | 1.14595 | 2 | |
| | 13 | 621.0812 | 66 | |
| | 14 | 357.150 | 1 | |
| | 15 | 1.14592 | 6 | |
| | 16 | 653.408 | 36 | |
| | 17 | 1.31753 | 2 | |
| | 18 | 1.15962 | 1 | |
| | 19 | 1.15065 | 1 | |
| | 20 | 1.14516 | 2 | |
| | 21 | 354.108 | 66 | |
| | 22 | 650.108 | 66 | |
| | 23 | 1.31752 | 1 | |
| | •24 | 1.35633 | 12 | |
| | •25 | 1.14799 | 6 | |
| | •26 | 355.00715 | 96 | |
| | 27 | 611.0624 | 96 | |
| | 28 | 1.14605 | 6 | |
| | 29 | 611.0820 | 6 | |
| | 30 | 377.440 | 50 | |
| | 31 | 1.35632 | 3 | |
| | 32 | 1.35631 | 3 | |
| | 33 | 1.14786 | 96 | |
| | 34 | 1.15127 | 96 | |
| | 35 | 653.406 | 96 | |
| | x36 | 1.35027 | 1 | |
| | 37 | 1.14976 | 6 | |
| | 38 | 1.14512 | 24 | |
| | 39 | 1.35630.00 | 1 | |
| | 40 | 650.110 | (8) | |
| | 41 | 354.110 | (8) | |
| | 42 | 1.14489 | (1) | |
| | 43 | 1.32742 | (1) | |
| | 44 | 355.35220 | 6 | |
| | x45 | 1.35028 | 12 | |



C 480

2/1983

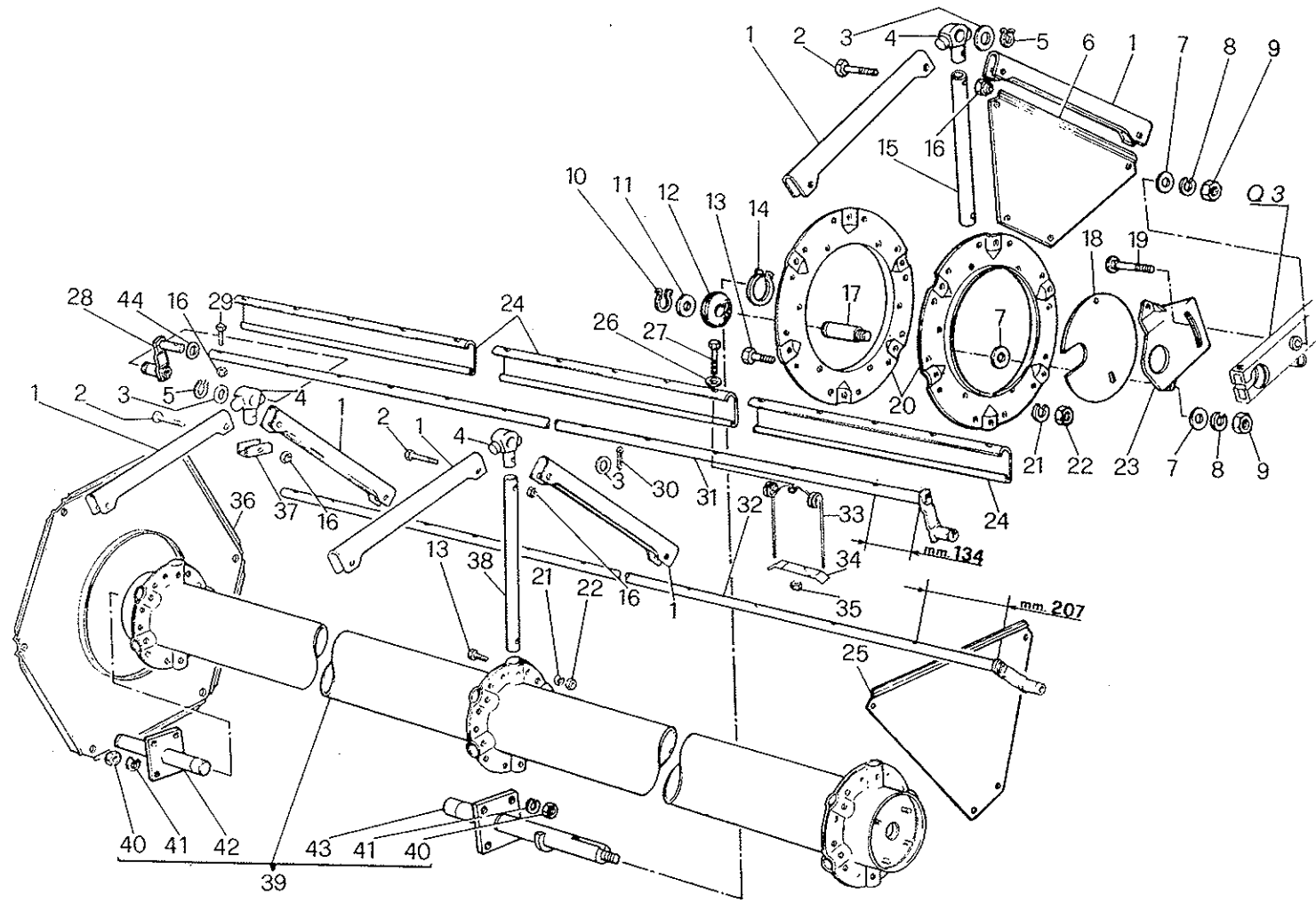
ASPO
RABATTEUR
MOLINETE
REEL
HASPEL

Q1E

5F750C69
•5F170B31
x5F170A09

| MODIF. | RIF. | N° ORDIN. | DENOMINAZIONE | DESIGNATION | DENOMINACIONES | DESCRIPTION | BENENNUNG |
|--------|------|------------|---------------------------|---------------------|----------------------|------------------|-----------------|
| | 1 | 1.33405 | COLLEGAMENTO STELLA | LIAISON | CONEXION | CONNECTION | VERBINDUNG |
| | 2 | 611.0822 | VITE | VIS | TORNILLO | SCREW | SCHRAUBE |
| | 3 | 355.37920 | RONDELLA | RONDELLE | ARANDELA | WASHER | SCHEIBE |
| | 4 | 1.14513 | SUPPORTO ASTE GIREVOLI | SUPPORT | SOPORTE | SUPPORT | HALTERUNG |
| | 5 | 357.126 | ANELLO ELASTICO | CIRCLIPS | ANILLO ELASTICO | CIRCLIP | SICHERUNGSRING |
| | 6 | 1.35029 | PROTEZIONE | PROTECTEUR | PROTECCION | GUARD | SCHUTZBLECH |
| | 7 | 355.01330 | RONDELLA | RONDELLE | ARANDELA | WASHER | SCHEIBE |
| | 8 | 354.112 | ROSETTA ELASTICA | RONDELLE W | ARANDELA ELASTICA | SPRING WASHER | FEDERSCHEIBE |
| | 9 | 650.612 | DADO | ECROU | TUERCA | NUT | MUTTER |
| | 10 | 357.116 | ANELLO ELASTICO | CIRCLIPS | ANILLO ELASTICO | CIRCLIP | SICHERUNGSRING |
| | 11 | 355.32620 | RONDELLA | RONDELLE | ARANDELA | WASHER | SCHEIBE |
| | 12 | 1.14595 | PULEGGIA GUIDASTELLA | POULIE | POLEA | PULLEY | RIEMENSCHLEIBE |
| | 13 | 621.0812 | VITE | VIS | TORNILLO | SCREW | SCHRAUBE |
| | 14 | 357.150 | ANELLO ELASTICO | CIRCLIPS | ANILLO ELASTICO | CIRCLIP | SICHERUNGSRING |
| | 15 | 1.14592 | RAZZA STELLA ASPO | BRAS | RAYO | SPOKE | SPEICHER |
| | 16 | 653.408 | DADO | ECROU | TUERCA | NUT | MUTTER |
| | 17 | 1.31753 | PERNO PULEGGIA | AXE | EJE | PIN | BOLZEN |
| | 18 | 1.15962 | PROTEZ. PULEGGE | PROTECTEUR | PROTECCION | GUARD | SCHUTZBLECH |
| | 19 | 1.15065 | VITE SPECIALE | VIS SPECIAL | TORNILLO ESPECIAL | SPECIAL SCREW | SPEZIALSCHRAUBE |
| | 20 | 1.14516 | ANELLO SUPPORTO STELLA | ANNEAU | ANILLO | RING | RING |
| | 21 | 354.108 | ROSETTA ELASTICA | RONDELLE W | ARANDELA ELASTICA | SPRING WASHER | FEDERSCHLEIBE |
| | 22 | 650.108 | DADO | ECROU | TUERCA | NUT | MUTTER |
| | 23 | 1.31752 | SUPPORTO PULEGGE | SUPPORT | SOPORTE | SUPPORT | HALTERUNG |
| | 24 | 1.35633 | PROTEZIONE LATERALE DENTI | PROTECTEUR | PROTECCION | GUARD | SCHUTZBLECH |
| | 25 | 1.14799 | PROTEZIONE CENTRALE DENTI | PROTECTEUR | PROTECCION | GUARD | SCHUTZBLECH |
| | 26 | 355.00715 | RONDELLA | RONDELLE | ARANDELA | WASHER | SCHEIBE |
| | 27 | 611.0624 | VITE | VIS | TORNILLO | SCREW | SCHRAUBE |
| | 28 | 1.14605 | BIELLA COMANDO ASPO | BIELLE | BIELA | CONNECTING ROD | LASCHE |
| | 29 | 611.0820 | VITE | VIS | TORNILLO | SCREW | SCHRAUBE |
| | 30 | 377.440 | COPIGLIA | GOUPILLE | PASADOR ABIERTO | COTTER PIN | SPLINT |
| | 31 | 1.35632 | SPRANGA GIREVOLE | PALE | BARRA | WOODEN BAR | HASPELLEISTE |
| | 32 | 1.35631 | SPRANGA GIREVOLE | PALE | BARRA | WOODEN BAR | HASPELLEISTE |
| | 33 | 1.14786 | DENTE ASPO | DENT | DIENTE | SPIKE TOOTH | ZINKE |
| | 34 | 1.15127 | FERMO PER DENTI ASPO | ARRET | TOPE | STOP | ARRETIERUNG |
| | 35 | 653.406 | DADO | ECROU | TUERCA | NUT | MUTTER |
| | 36 | 1.35027 | PROTEZIONE STELLA ESTERNA | PROTECTEUR | PROTECCION | GUARD | SCHUTZBLECH |
| | 37 | 1.14976 | CHIUSURA SUPPORTO | FERMETURE | CIERRE | COVER | VERSCHLUSS |
| | 38 | 1.14512 | RAZZA STELLA ASPO | BRAS | RAYO | SPOKE | SPEICHER |
| | 39 | 1.35630.00 | COMPL. ALBERO ASPO | ARBRE RABATTEUR CPT | CONJ. ARBOL MOLINETE | REEL SHAFT, ASSY | HASPELWELLE KPL |
| | 40 | 650.110 | DADO | ECROU | TUERCA | NUT | MUTTER |
| | 41 | 354.110 | ROSETTA ELASTICA | RONDELLE W | ARANDELA ELASTICA | SPRING WASHER | FEDERSCHLEIBE |
| | 42 | 1.14489 | ALBERO D. ASPO | ARBRE D. | ARBOL DE. | SHAFT, R.H. | WELLE R. |
| | 43 | 1.32742 | ALBERO S. ASPO | ARBRE G. | ARBRE IZ. | SHAFT, L.H. | WELLE L. |
| | 44 | 355.35220 | RONDELLA | RONDELLE | ARANDELA | WASHER | SCHEIBE |
| | 45 | 1.35028 | PROTEZIONE ASPO | PROTECTEUR | PROTECCION | GUARD | SCHUTZBLECH |

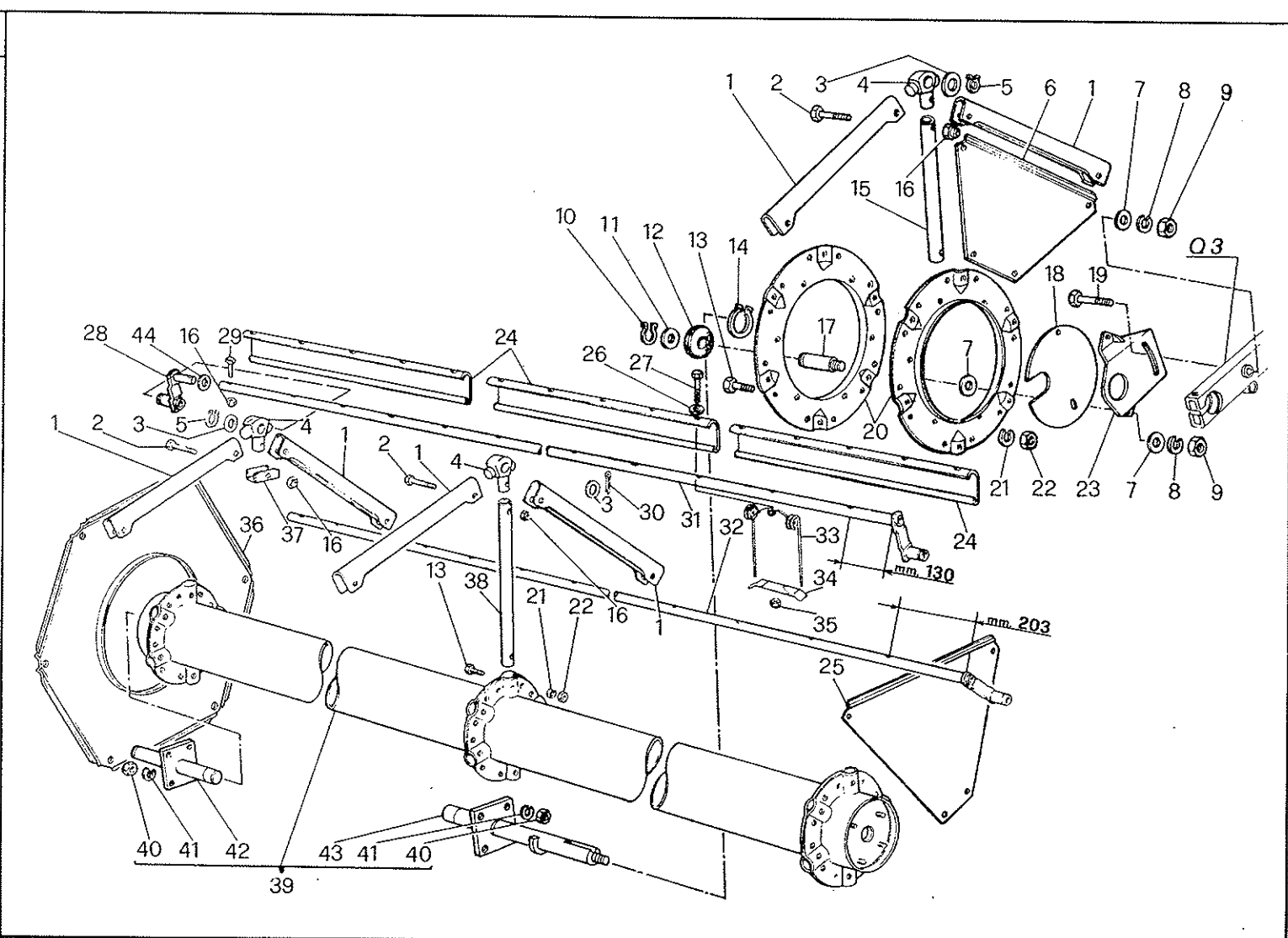
| MODIF. | RIF. | N° ORDIN. | QUANT. | NOTE |
|--------|------|------------|--------|------|
| | 1 | 1.33405 | 36 | |
| | 2 | 611.0822 | 36 | |
| | 3 | 355.37920 | 48 | |
| | 4 | 1.14513 | 36 | |
| | 5 | 357.126 | 12 | |
| | × 6 | 1.35029 | 1 | |
| | 7 | 355.01330 | 5 | |
| | 8 | 354.112 | 3 | |
| | 9 | 650.612 | 3 | |
| | 10 | 357.116 | 2 | |
| | 11 | 355.32620 | 2 | |
| | 12 | 1.14595 | 2 | |
| | 13 | 621.0812 | 66 | |
| | 14 | 357.150 | 1 | |
| | 15 | 1.14592 | 6 | |
| | 16 | 653.408 | 42 | |
| | 17 | 1.31753 | 2 | |
| | 18 | 1.15962 | 1 | |
| | 19 | 1.15065 | 1 | |
| | 20 | 1.14516 | 2 | |
| | 21 | 354.108 | 66 | |
| | 22 | 650.108 | 66 | |
| | 23 | 1.31752 | 1 | |
| | •24 | 1.14803 | 18 | |
| | × 25 | 1.35028 | 12 | |
| | •26 | 355.00715 | 108 | |
| | 27 | 611.0624 | 108 | |
| | 28 | 1.14605 | 6 | |
| | 29 | 611.0820 | 6 | |
| | 30 | 377.440 | 30 | |
| | 31 | 1.14848 | 3 | |
| | 32 | 1.14543 | 3 | |
| | 33 | 1.14786 | 108 | |
| | 34 | 1.15127 | 108 | |
| | 35 | 653.406 | 108 | |
| | × 36 | 1.35027 | 1 | |
| | 37 | 1.14976 | 6 | |
| | 38 | 1.14512 | 24 | |
| | 39 | 1.15102.00 | 1 | |
| | 40 | 650.110 | (8) | |
| | 41 | 354.110 | (8) | |
| | 42 | 1.14489 | (1) | |
| | 43 | 1.32742 | (1) | |
| | 44 | 355.35220 | 6 | |



| | | |
|--------------|-------------------------------------------------|------------------------------------|
| C 540 | ASPO RABATTEUR MOLINETE REEL HASPEL | Q 1 F |
| | 2/1983 | 5F750C71 •5F170B33 ×5F170A09 |

| MODIF. | RIF. | N° ORDIN. | DENOMINAZIONE | DESIGNATION | DENOMINACIONES | DESCRIPTION | BENENNUNG |
|--------|------|------------|--------------------------------|---------------------|----------------------|------------------|-----------------|
| | 1 | 1.33405 | COLLEGAMENTO STELLA | LIAISON | CONEXION | CONNECTION | VERBINDUNG |
| | 2 | 611.0822 | VITE | VIS | TORNILLO | SCREW | SCHRAUBE |
| | 3 | 355.37920 | RONDELLA | RONDELLE | ARANDELA | WASHER | SCHEIBE |
| | 4 | 1.14513 | SUPPORTO ASTE GIREVOLI | SUPPORT | SOPORTE | SUPPORT | HALTERUNG |
| | 5 | 357.126 | ANELLO ELASTICO | CIRCLIPS | ANILLO ELASTICO | CIRCLIP | SICHERUNGSRING |
| | 6 | 1.35029 | PROTEZIONE STELLA COMANDO ASPO | PROTECTEUR | PROTECCION | GUARD | SCHUTZBLECH |
| | 7 | 355.01330 | RONDELLA | RONDELLE | ARANDELA | WASHER | SCHEIBE |
| | 8 | 354.112 | ROSETTA ELASTICA | RONDELLE W | ARANDELA ELASTICA | SPRING WASHER | FEDERSCHEIBE |
| | 9 | 650.612 | DADO | ECROU | TUERCA | NUT | MUTTER |
| | 10 | 357.116 | ANELLO ELASTICO | CIRCLIPS | ANILLO ELASTICO | CIRCLIP | SICHERUNGSRING |
| | 11 | 355.32620 | RONDELLA | RONDELLE | ARANDELA | WASHER | SCHEIBE |
| | 12 | 1.14595 | PULEGGIA GUIDASTELLA | POULIE | POLEA | PULLEY | RIEMENSCHLEIBE |
| | 13 | 621.0812 | VITE | VIS | TORNILLO | SCREW | SCHRAUBE |
| | 14 | 357.150 | ANELLO ELASTICO | CIRCLIPS | ANILLO ELASTICO | CIRCLIP | SICHERUNGSRING |
| | 15 | 1.14592 | RAZZA STELLA ASPO | BRAS | RAYO | SPOKE | SPEICHER |
| | 16 | 653.408 | DADO AUTOFRENANTE | ECROU | TUERCA | NUT | MUTTER |
| | 17 | 1.31753 | PERNO PULEGGIA | AXE | EJE | PIN | BOLZEN |
| | 18 | 1.15962 | PROTEZIONE PULEGGE GUIDASTELLA | PROTECTEUR | PROTECCION | GUARD | SCHUTZBLECH |
| | 19 | 1.15065 | VITE SPECIALE | VIS SPECIAL | TORNILLO ESPECIAL | SPECIAL SCREW | SPEZIALSCHRAUBE |
| | 20 | 1.14516 | ANELLO SUPPORTO STELLA | ANNEAU | ANILLO | RING | RING |
| | 21 | 354.108 | ROSETTA ELASTICA | RONDELLE W | ARANDELA ELASTICA | SPRING WASHER | FEDERSCHLEIBE |
| | 22 | 650.108 | DADO | ECROU | TUERCA | NUT | MUTTER |
| | 23 | 1.31752 | SUPPORTO PULEGGE GUIDASTELLA | SUPPORT | SOPORTE | SUPPORT | HALTERUNG |
| | 24 | 1.14803 | PROTEZIONE CENTRALE DENTI | PROTECTEUR | PROTECCION | GUARD | SCHUTZBLECH |
| | 25 | 1.35028 | PROTEZIONE ASPO | PROTECTEUR | PROTECCION | GUARD | SCHUTZBLECH |
| | 26 | 355.00715 | RONDELLA | RONDELLE | ARANDELA | WASHER | SCHEIBE |
| | 27 | 611.0624 | VITE | VIS | TORNILLO | SCREW | SCHRAUBE |
| | 28 | 1.14605 | BIELLA COMANDO ASPO | BIELLE | BIELA | CONNECTING ROD | LASCHE |
| | 29 | 611.0820 | VITE | VIS | TORNILLO | SCREW | SCHRAUBE |
| | 30 | 377.440 | COPIGLIA | GOUPILLE | PASADOR ABIERTO | COTTER PIN | SPLINT |
| | 31 | 1.14848 | SPRANGA GIREVOLE | PALE | BARRA | WOODEN BAR | HASPELLEISTE |
| | 32 | 1.14543 | SPRANGA GIREVOLE | PALE | BARRA | WOODEN BAR | HASPELLEISTE |
| | 33 | 1.14786 | DENTE ASPO | DENT | DIENTE | SPIKE TOOTH | ZINKE |
| | 34 | 1.15127 | FERMO PER DENTI ASPO | ARRET | TOPE | STOP | ARRETIERUNG |
| | 35 | 653.406 | DADO AUTOFRENANTE | ECROU | TUERCA | NUT | MUTTER |
| | 36 | 1.35027 | PROTEZIONE STELLA ESTERNA | PROTECTEUR | PROTECCION | GUARD | SCHUTZBLECH |
| | 37 | 1.14976 | CHIUSURA SUPPORTO | FERMETURE | CIERRE | COVER | VERSCHLUSS |
| | 38 | 1.14512 | RAZZA STELLA ASPO | BRAS | RAYO | SPOKE | SPEICHER |
| | 39 | 1.15102.00 | COMPI. ALBERO ASPO | ARBRE RABATTEUR CPT | CONJ. ARBOL MOLINETE | REEL SHAFT, ASSY | HASPELWELLE KPL |
| | 40 | 650.110 | DADO | ECROU | TUERCA | NUT | MUTTER |
| | 41 | 354.110 | ROSETTA ELASTICA | RONDELLE W | ARANDELA ELASTICA | SPRING WASHER | FEDERSCHLEIBE |
| | 42 | 1.14489 | ALBERO D. ASPO | ARBRE D. | ARBOL DE | SHAFT, R.H. | WELLE R. |
| | 43 | 1.32742 | ALBERO S. ASPO | ARBRE G. | ARBOL IZ. | SHAFT, L.H. | WELLE L. |
| | 44 | 355.35220 | RONDELLA | RONDELLE | ARANDELA | WASHER | SCHEIBE |

| MODIF. | RIF. | N° ORDIN. | QUANT. | NOTE |
|--------|------|------------|--------|------|
| | 1 | 1.33405 | 42 | |
| | 2 | 611.0822 | 42 | |
| | 3 | 355.37920 | 60 | |
| | 4 | 1.14513 | 42 | |
| | 5 | 357.126 | 12 | |
| | x 6 | 1.35029 | 1 | |
| | 7 | 355.01330 | 5 | |
| | 8 | 354.112 | 3 | |
| | 9 | 650.612 | 3 | |
| | 10 | 357.116 | 2 | |
| | 11 | 355.32620 | 2 | |
| | 12 | 1.14595 | 2 | |
| | 13 | 621.0812 | 72 | |
| | 14 | 357.150 | 1 | |
| | 15 | 1.14592 | 6 | |
| | 16 | 653.408 | 48 | |
| | 17 | 1.31753 | 2 | |
| | 18 | 1.15962 | 1 | |
| | 19 | 1.15065 | 1 | |
| | 20 | 1.14516 | 2 | |
| | 21 | 354.108 | 72 | |
| | 22 | 650.108 | 72 | |
| | 23 | 1.31752 | 1 | |
| | •24 | 1.14802 | 24 | |
| | x25 | 1.35028 | 12 | |
| | •26 | 355.00715 | 120 | |
| | 27 | 611.0624 | 120 | |
| | 28 | 1.14605 | 6 | |
| | 29 | 611.0820 | 6 | |
| | 30 | 377.440 | 42 | |
| | 31 | 1.14849 | 3 | |
| | 32 | 1.14544 | 3 | |
| | 33 | 1.14786 | 120 | |
| | 34 | 1.15127 | 120 | |
| | 35 | 653.406 | 120 | |
| | x36 | 1.35027 | 1 | |
| | 37 | 1.14976 | 6 | |
| | 38 | 1.14512 | 30 | |
| | 39 | 1.15103.00 | 1 | |
| | 40 | 650.110 | (8) | |
| | 41 | 354.110 | (8) | |
| | 42 | 1.14489 | (1) | |
| | 43 | 1.32742 | (1) | |
| | 44 | 355.35220 | 6 | |



C 600

2/1983

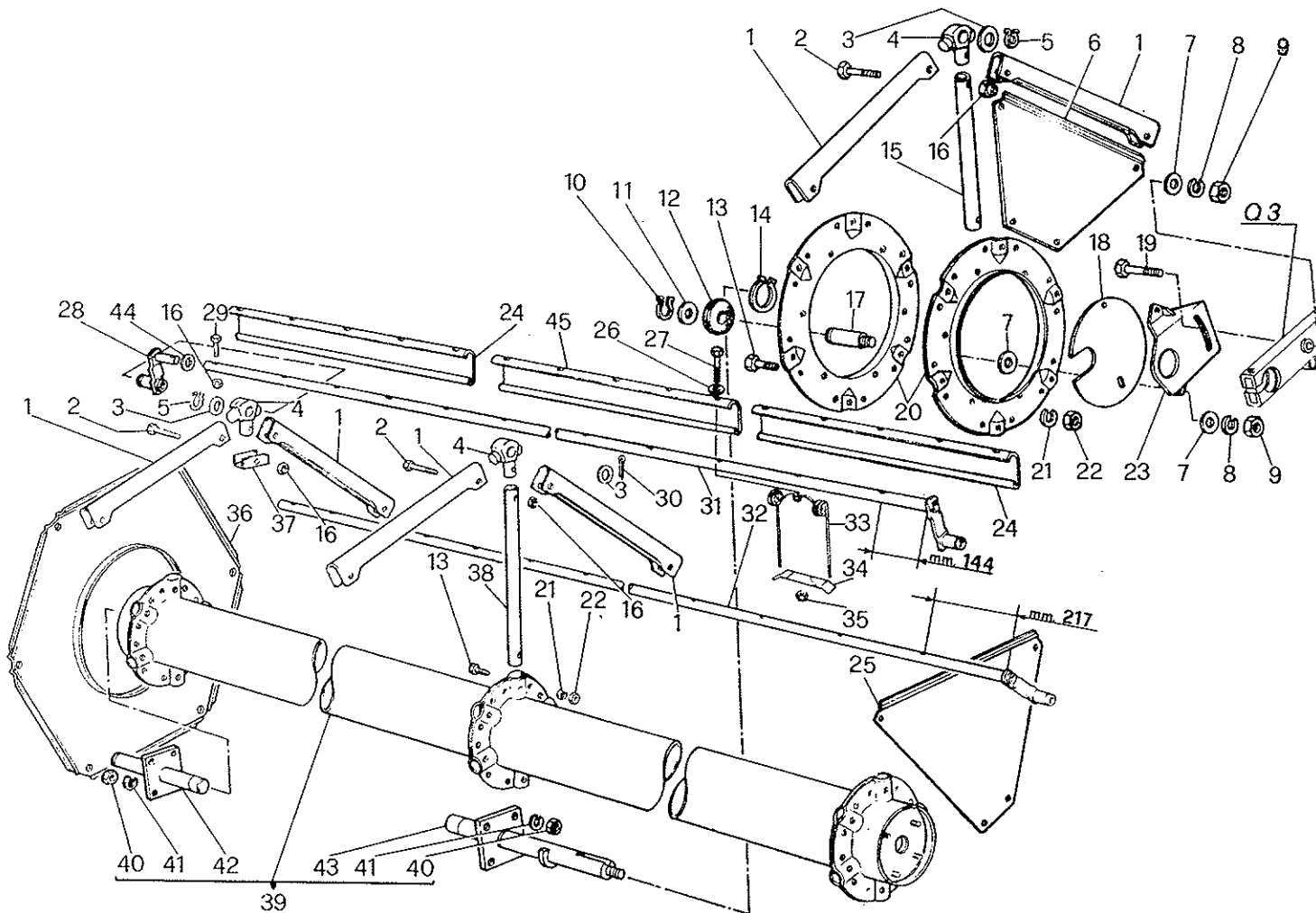
ASPO
RABATTEUR
MOLINETE
REEL
HASPEL

Q1G

SF750C73
•5F170B35
x5F170A09

| MODIF. | RIF. | N° ORDIN. | DENOMINAZIONE | DESIGNATION | DENOMINACIONES | DESCRIPTION | BENENNUNG |
|--------|------|------------|--------------------------------|---------------------|----------------------|------------------|-----------------|
| | 1 | 1.33405 | COLLEGAMENTO STELLA | LIAISON | CONEXION | CONNECTION | VERBINDUNG |
| | 2 | 611.0822 | VITE | VIS | TORNILLO | SCREW | SCHRAUBE |
| | 3 | 355.37920 | RONDELLA | RONDELLE | ARANDELA | WASHER | SCHEIBE |
| | 4 | 1.14513 | SUPPORTO ASTE GIREVOLI | SUPPORT | SOPORTE | SUPPORT | HALTERUNG |
| | 5 | 357.126 | ANELLO ELASTICO | CIRCLIPS | ANILLO ELASTICO | CIRCLIP | SICHERUNGSRING |
| | 6 | 1.35029 | PROTEZIONE STELLA COMANDO ASPO | PROTECTEUR | PROTECCION | GUARD | SCHUTZBLECH |
| | 7 | 355.01330 | RONDELLA | RONDELLE | ARANDELA | WASHER | SCHEIBE |
| | 8 | 354.112 | ROSETTA ELASTICA | RONDELLE W | ARANDELA ELASTICA | SPRING WASHER | FEDERSCHEIBE |
| | 9 | 650.612 | DADO | ECROU | TUERCA | NUT | MUTTER |
| | 10 | 357.116 | ANELLO ELASTICO | CIRCLIPS | ANILLO ELASTICO | CIRCLIP | SICHERUNGSRING |
| | 11 | 355.32620 | RONDELLA | RONDELLE | ARANDELA | WASHER | SCHEIBE |
| | 12 | 1.14595 | PULEGGIA GUIDASTELLA | POULIE | POLEA | PULLEY | RIEMENSCHLEIBE |
| | 13 | 621.0812 | VITE | VIS | TORNILLO | SCREW | SCHRAUBE |
| | 14 | 357.150 | ANELLO ELASTICO | CIRCLIPS | ANILLO ELASTICO | CIRCLIP | SICHERUNGSRING |
| | 15 | 1.14592 | RAZZA STELLA ASPO | BRAS | RAYO | SPOKE | SPEICHER |
| | 16 | 653.408 | DADO AUTOFRENANTE | ECROU | TUERCA | NUT | MUTTER |
| | 17 | 1.31753 | PERNO PULEGGIA | AXE | EJE | PIN | BOLZEN |
| | 18 | 1.15962 | PROTEZIONE PULEGGE GUIDASTELLA | PROTECTEUR | PROTECCION | GUARD | SCHUTZBLECH |
| | 19 | 1.15065 | VITE SPECIALE | VIS SPECIAL | TORNILLO ESPECIAL | SPECIAL SCREW | SPEZIALSCHRAUBE |
| | 20 | 1.14516 | ANELLO SUPPORTO STELLA | ANNEAU | ANILLO | RING | RING |
| | 21 | 354.108 | ROSETTA ELASTICA | RONDELLE W | ARANDELA ELASTICA | SPRING WASHER | FEDERSCHLEIBE |
| | 22 | 650.108 | DADO | ECROU | TUERCA | NUT | MUTTER |
| | 23 | 1.31752 | SUPPORTO PULEGGE GUIDASTELLA | SUPPORT | SOPORTE | SUPPORT | HALTERUNG |
| | 24 | 1.14802 | PROTEZIONE LATERALE DENTI | PROTECTEUR | PROTECCION | GUARD | SCHUTZBLECH |
| | 25 | 1.35028 | PROTEZIONE ASPO | PROTECTEUR | PROTECCION | GUARD | SCHUTZBLECH |
| | 26 | 355.00715 | RONDELLA | RONDELLE | ARANDELA | WASHER | SCHEIBE |
| | 27 | 611.0624 | VITE | VIS | TORNILLO | SCREW | SCHRAUBE |
| | 28 | 1.14605 | BIELLA COMANDO ASPO | BIELLE | BIELA | CONNECTING ROD | LASCHE |
| | 29 | 611.0820 | VITE | VIS | TORNILLO | SCREW | SCHRAUBE |
| | 30 | 377.440 | COPIGLIA | GOUPILLE | PASADOR ABIERTO | COTTER PIN | SPLINT |
| | 31 | 1.14849 | SPRANGA GIREVOLE | PALE | BARRA | WOODEN BAR | HASPELLEISTE |
| | 32 | 1.14544 | SPRANGA GIREVOLE | PALE | BARRA | WOODEN BAR | HASPELLEISTE |
| | 33 | 1.14786 | DENTE ASPO | DENT | DIENTE | SPIKE TOOTH | ZINKE |
| | 34 | 1.15127 | FERMO PER DENTE ASPO | ARRET | TOPE | STOP | ARRETIERUNG |
| | 35 | 653.406 | DADO AUTOFRENANTE | ECROU | TUERCA | NUT | MUTTER |
| | 36 | 1.35027 | PROTEZIONE STELLA ESTERNA | PROTECTEUR | PROTECCION | GUARD | SCHUTZBLECH |
| | 37 | 1.14976 | CHIUSURA SUPPORTO | FERMETURE | CIERRE | COVER | VERSCHLUSS |
| | 38 | 1.14512 | RAZZA STELLA ASPO | BRAS | RAYO | SPOKE | SPEICHER |
| | 39 | 1.15103.00 | COMPL. ALBERO ASPO | ARBRE RABATTEUR CPT | CONJ. ARBOL MOLINETE | REEL SHAFT, ASSY | HASPELWELLE KPL |
| | 40 | 650.110 | DADO | ECROU | TUERCA | NUT | MUTTER |
| | 41 | 354.110 | ROSETTA ELASTICA | RONDELLE W | ARANDELA ELASTICA | SPRING WASHER | FEDERSCHLEIBE |
| | 42 | 1.14489 | ALBERO D. ASPO | ARBRE D. | ARBOL DE. | SHAFT, R.H. | WELLE R. |
| | 43 | 1.32742 | ALBERO S. ASPO | ARBRE G. | ARBOL IZ. | SHAFT, L.H. | WELLE L. |
| | 44 | 355.35220 | RONDELLA | RONDELLE | ARANDELA | WASHER | SCHEIBE |

| MODIF. | RIF. | N° ORDIN. | QUANT. | NOTE |
|--------|------|------------|--------|------|
| | 1 | 1.33405 | 42 | |
| | 2 | 611.0822 | 42 | |
| | 3 | 355.37920 | 60 | |
| | 4 | 1.14513 | 42 | |
| | 5 | 357.126 | 12 | |
| | x 6 | 1.35029 | 1 | |
| | 7 | 355.01330 | 5 | |
| | 8 | 354.112 | 3 | |
| | 9 | 650.612 | 3 | |
| | 10 | 357.116 | 2 | |
| | 11 | 355.32620 | 2 | |
| | 12 | 1.14595 | 2 | |
| | 13 | 621.0812 | 72 | |
| | 14 | 357.150 | 1 | |
| | 15 | 1.14592 | 6 | |
| | 16 | 653.408 | 48 | |
| | 17 | 1.31753 | 2 | |
| | 18 | 1.15962 | 1 | |
| | 19 | 1.15065 | 1 | |
| | 20 | 1.14516 | 2 | |
| | 21 | 354.108 | 72 | |
| | 22 | 650.108 | 72 | |
| | 23 | 1.31752 | 1 | |
| | •24 | 1.14802 | 12 | |
| | x25 | 1.35028 | 12 | |
| | •26 | 355.00715 | 132 | |
| | 27 | 611.0624 | 132 | |
| | 28 | 1.14605 | 6 | |
| | 29 | 611.0820 | 6 | |
| | 30 | 377.440 | 42 | |
| | 31 | 1.14850 | 3 | |
| | 32 | 1.14545 | 3 | |
| | 33 | 1.14786 | 132 | |
| | 34 | 1.15127 | 132 | |
| | 35 | 653.406 | 132 | |
| | x36 | 1.35027 | 1 | |
| | 37 | 1.14976 | 6 | |
| | 38 | 1.14512 | 30 | |
| | 39 | 1.35104.00 | 1 | |
| | 40 | 650.110 | (8) | |
| | 41 | 354.110 | (8) | |
| | 42 | 1.14489 | (1) | |
| | 43 | 1.32742 | (1) | |
| | 44 | 355.35220 | 6 | |
| | 45 | 1.14803 | 12 | |



C 660

ASPO
RABATTEUR
MOLINETE
REEL
HASPEL

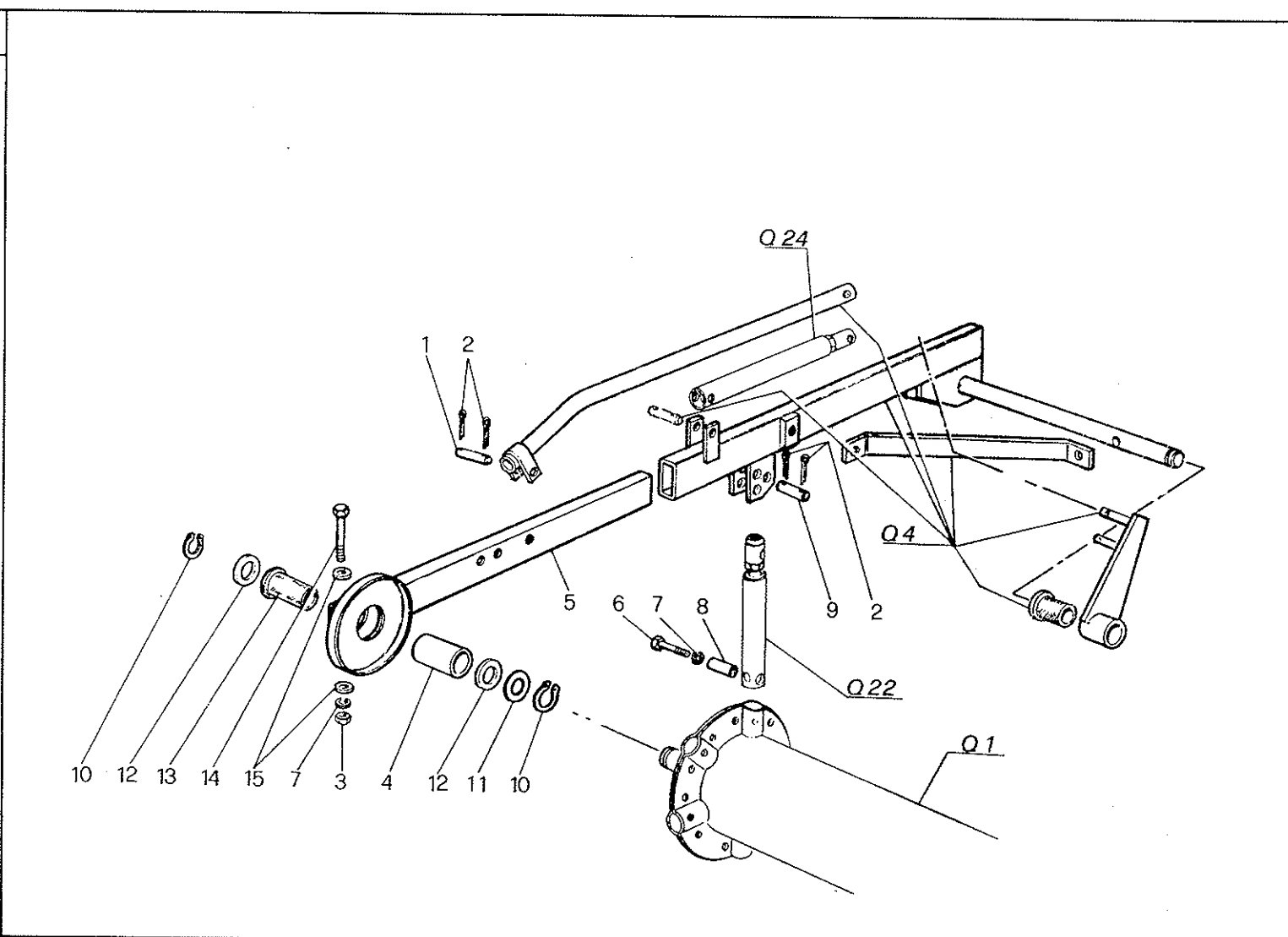
2/1983

Q 1 H

5F750C75
•5F170B37
x5F170A09

| MODIF. | RIF | N° ORDIN. | DENOMINAZIONE | DESIGNATION | DENOMINACIONES | DESCRIPTION | BENENNUNG |
|--------|-----|------------|------------------------------|---------------------|----------------------|------------------|-----------------|
| | 1 | 1.33405 | COLLEGAMENTO STELLA | LIAISON | CONEXION | CONNECTION | VERBINDUNG |
| | 2 | 611.0822 | VITE | VIS | TORNILLO | SCREW | SCHRAUBE |
| | 3 | 355.37920 | RONDELLA | RONDELLE | ARANDELA | WASHER | SCHEIBE |
| | 4 | 1.14513 | SUPPORTO ASTE GIREVOLI | SUPPORT | SOPORTE | SUPPORT | HALTERUNG |
| | 5 | 357.126 | ANELLO ELASTICO | CIRCLIPS | ANILLO ELASTICO | CIRCLIP | SICHERUNGSRING |
| | 6 | 1.35029 | PROTEZIONE STELLA COM. ASPO | PROTECTEUR | PROTECCION | GUARD | SCHUTZBLECH |
| | 7 | 355.01330 | RONDELLA | RONDELLE | ARANDELA | WASHER | SCHEIBE |
| | 8 | 354.112 | ROSETTA ELASTICA | RONDELLE W | ARANDELA ELASTICA | SPRING WASHER | FEDERSCHEIBE |
| | 9 | 650.612 | DADO | ECROU | TUERCA | NUT | MUTTER |
| | 10 | 357.116 | ANELLO ELASTICO | CIRCLIPS | ANILLO ELASTICO | CIRCLIP | SICHERUNGSRING |
| | 11 | 355.32620 | RONDELLA | RONDELLE | ARANDELA | WASHER | SCHEIBE |
| | 12 | 1.14595 | PULEGGIA GUIDASTELLA | POULIE | POLEA | PULLEY | RIEMENSCHLEIBE |
| | 13 | 621.0812 | VITE | VIS | TORNILLO | SCREW | SCHRAUBE |
| | 14 | 357.150 | ANELLO ELASTICO | CIRCLIPS | ANILLO ELASTICO | CIRCLIP | SICHERUNGSRING |
| | 15 | 1.14592 | RAZZA STELLA ASPO | BRAS | RAYO | SPOKE | SPEICHER |
| | 16 | 653.408 | DADO AUTOFRENANTE | ECROU | TUERCA | NUT | MUTTER |
| | 17 | 1.31753 | PERNO PULEGGIA | AXE | EJE | PIN | BOLZEN |
| | 18 | 1.15962 | PROTEZIONE PULEGGE | PROTECTEUR | PROTECCION | GUARD | SCHUTZBLECH |
| | 19 | 1.15065 | VITE SPECIALE | VITE SPECIAL | TORNILLO ESPECIAL | SPECIAL SCREW | SPEZIALSCHRAUBE |
| | 20 | 1.14516 | ANELLO SUPPORTO STELLA | ANNEAU | ANILLO | RING | RING |
| | 21 | 354.108 | ROSETTA ELASTICA | RONDELLE W | ARANDELA ELASTICA | SPRING WASHER | FEDERSCHLEIBE |
| | 22 | 650.108 | DADO | ECROU | TUERCA | NUT | MUTTER |
| | 23 | 1.31752 | SUPPORTO PULEGGE GUIDASTELLA | SUPPORT | SOPORTE | SUPPORT | HALTERUNG |
| | 24 | 1.14802 | PROTEZIONE LATERALE | PROTECTEURS | PROTECCIONS | GUARDS | SCHUTZBLECH |
| | 25 | 1.35028 | PROTEZIONE ASPO | PROTECTEUR | PROTECCION | GUARD | SCHUTZBLECH |
| | 26 | 355.00715 | RONDELLA | RONDELLE | ARANDELA | WASHER | SCHEIBE |
| | 27 | 611.0624 | VITE | VIS | TORNILLO | SCREW | SCHRAUBE |
| | 28 | 1.14605 | BIELLA COMANDO ASPO | BIELLE | BIELA | CONNECTING ROD | LASCHE |
| | 29 | 611.0820 | VITE | VIS | TORNILLO | SCREW | SCHRAUBE |
| | 30 | 377.440 | COPIGLIA | GOUPILLE | PASADOR ABIERTO | COTTER PIN | SPLINT |
| | 31 | 1.14850 | SPRANGA GIREVOLE | PALE | BARRA | WOODEN BAR | HASPELLEISTE |
| | 32 | 1.14545 | SPRANGA GIREVOLE | PALE | BARRA | WOODEN BAR | HASPELLEISTE |
| | 33 | 1.14786 | DENTE ASPO | DENT | DIENTE | SPIKE TOOTH | ZINKE |
| | 34 | 1.15127 | FERMO PER DENTE ASPO | ARRET | TOPE | STOP | ARRETIERUNG |
| | 35 | 653.406 | DADO AUTOFRENANTE | ECROU | TUERCA | NUT | MUTTER |
| | 36 | 1.35027 | PROTEZIONE STELLA EST. | PROTECTEUR | PROTECCION | GUARD | SCHUTZBLECH |
| | 37 | 1.14976 | CHIUSURA SUPPORTO | FERMETURE | CIERRE | COVER | VERSCHLUSS |
| | 38 | 1.14512 | RAZZA STELLA ASPO | BRAS | RAYO | SPOKE | SPEICHER |
| | 39 | 1.15104.00 | COMPL. ALBERO ASPO | ARBRE RABATTEUR CPT | CONJ. ARBOL MOLINETE | REEL SHAFT, ASSY | HASPELWELLE KPL |
| | 40 | 650.110 | DADO | ECROU | TUERCA | NUT | MUTTER |
| | 41 | 354.110 | ROSETTA ELASTICA | RONDELLE W | ARANDELA ELASTICA | SPRING WASHER | FEDERSCHLEIBE |
| | 42 | 1.14489 | ALBERO D. ASPO | ARBRE D. | ARBOL DE. | SHAFT, R.H. | WELLE R. |
| | 43 | 1.32742 | ALBERO S. ASPO | ARBRE G. | ARBOL IZ. | SHAFT, L.H. | WELLE L. |
| | 44 | 355.35220 | RONDELLA | RONDELLE | ARANDELA | WASHER | SCHEIBE |
| | 45 | 1.14803 | PROTEZIONE CENTRALE | PROTECTEURS | PROTECCIONS | GUARDS | SCHUTZBLECH |

| MODIF. | RIF. | N° ORDIN. | QUANT. | NOTE |
|--------|------|-----------|--------|------|
| | 1 | 379.375 | 1 | |
| | 2 | 377.425 | 4 | |
| | 3 | 650.110 | 1 | |
| | 4 | 1.14623 | 1 | |
| | 5 | 1.32756 | 1 | |
| | 6 | 611.1036 | 1 | |
| | 7 | 354.110 | 2 | |
| | 8 | 415.082 | 1 | |
| | 9 | 379.372 | 1 | |
| | 10 | 357.135 | 2 | |
| | 11 | 355.41710 | 1 | |
| | 12 | 355.41750 | 2 | |
| | 13 | 1.14624 | 1 | |
| | 14 | 611.1042 | 1 | |
| | 15 | 355.11050 | 2 | |



C 310 C 480
C 360 C 540
C 420 C 600
C 660

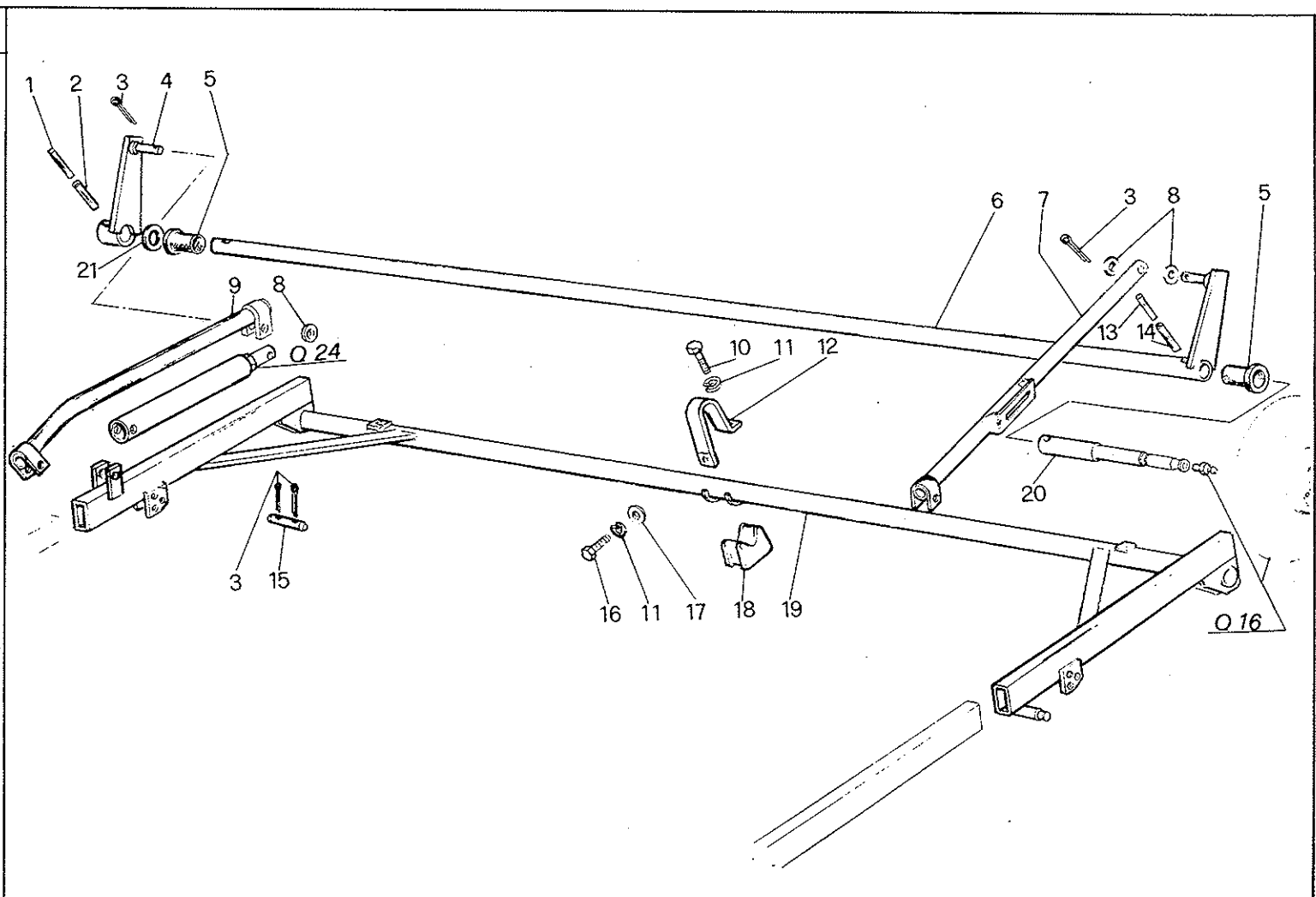
BRACCIO DESTRO ASPO
 BRAS DROITE RABATTEUR
 BRAZO DERECHO MOLINETE
 REEL ARM, R.H.
 HASPELARM R.

Q 2
 5F790A01
 5F790A00

| MODIF. | RIF. | N° ORDIN. | DENOMINAZIONE | DESIGNATION | DENOMINACIONES | DESCRIPTION | BENENNUNG |
|--------|------|-----------|-------------------------|-------------|-------------------|---------------|----------------|
| | 1 | 379.375 | SPINA | AXE | PASADOR | PIN | STIFT |
| | 2 | 377.425 | COPIGLIA | GOUPILLE | PASADOR ABIERTO | COTTER PIN | SPLINT |
| | 3 | 650.110 | DADO | ECROU | TUERCA | NUT | MUTTER |
| | 4 | 1.14623 | SUPPORTO D. ALBERO ASPO | SUPPORT D. | SOPORTE DE. | SUPPORT, R.H. | HALTERUNG R. |
| | 5 | 1.32756 | BRACCIO D. MOBILE ASPO | BRAS D. | BRAZO DE. | ARM, R.H. | ARM R. |
| | 6 | 611.1036 | VITE | VIS | TORNILLO | SCREW | SCHRAUBE |
| | 7 | 354.110 | ROSETTA ELASTICA | RONDELLE W | ARANDELA ELASTICA | SPRING WASHER | FEDERSCHEIBE |
| | 8 | 415.082 | BOCCOLA | BAGUE | CASQUILLO | BUSH | BUECHSE |
| | 9 | 379.372 | SPINA | AXE | PASADOR | PIN | STIFT |
| | 10 | 357.135 | ANELLO ELASTICO | CIRCLIPS | ANILLO ELASTICO | CIRCLIP | SICHERUNGSRING |
| | 11 | 355.41710 | RONDELLA | RONDELLE | ARANDELA | WASHER | SCHEIBE |
| | 12 | 355.41750 | RONDELLA | RONDELLE | ARANDELA | WASHER | SCHEIBE |
| | 13 | 1.14624 | BOCCOLA NYLON | BAGUE | CASQUILLO | BUSH | BUECHSE |
| | 14 | 611.1042 | VITE | VIS | TORNILLO | SCREW | SCHRAUBE |
| | 15 | 355.11050 | RONDELLA | RONDELLE | ARANDELA | WASHER | SCHEIBE |

| MODIF | RIF | N° ORDIN. | DENOMINAZIONE | DESIGNATION | DENOMINACIONES | DESCRIPTION | BENENNUNG |
|-------|-----|-----------|-------------------------|--------------|-------------------|---------------|--------------|
| | 1 | 355.41710 | RONDELLA | RONDELLE | ARANDELA | WASHER | SCHEIBE |
| | 2 | 611.1042 | VITE | VIS | TORNILLO | SCREW | SCHRAUBE |
| | 3 | 611.1032 | VITE | VIS | TORNILLO | SCREW | SCHRAUBE |
| | 4 | 377.425 | COPIGLIA | GOUVILLE | PASADOR ABIERTO | COTTER PIN | SPLINT |
| | 5 | 379.375 | SPINA | AXE | PASADOR | PIN | STIFT |
| | 6 | 1.32755 | BRACCIO S. MOBILE ASPO | BRAS G. | BRAZO IZ. | ARM, L.H. | ARM L. |
| | 7 | 1.14742 | BRONZINA | BAGUE BRONZE | CASQUILLO BRONCE | BUSHING | BUECHSE |
| | 8 | 379.372 | SPINA | AXE | PASADOR | PIN | STIFT |
| | 9 | 354.110 | ROSETTA ELASTICA | RONDELLE W | ARANDELA ELASTICA | SPRING WASHER | FEDERSCHEIBE |
| | 10 | 650.110 | DADO | ECROU | TUERCA | NUT | MUTTER |
| | 11 | 1.32743 | BOCCOLA SU ALBERO ASPO | BAGUE | CASQUILLO | BUSH | BUECHSE |
| | 12 | 1.32744 | SUPPORTO S. ALBERO ASPO | SUPPORT G. | SOPORTE IZ. | SUPPORT, L.H. | HALTERUNG L. |
| | 13 | 415.081 | BOCCOLA | BAGUE | CASQUILLO | BUSH | BUECHSE |

| MODIF. | RIF. | N° ORDIN. | QUANT. | NOTE |
|--------|------|-----------|--------|------|
| | 1 | 378.455 | 1 | |
| | 2 | 378.755 | 1 | |
| | 3 | 377.425 | 4 | |
| | 4 | 1.31656 | 1 | |
| | 5 | 1.5803 | 2 | |
| | 6 | 1.31690 | 1 | |
| | 7 | 1.31657 | 1 | |
| | 8 | 355.01730 | 5 | |
| C 0719 | 9 | 1.31658 | 1 | |
| D 0719 | 9 | 1.35920 | 1 | |
| | 10 | 621.1216 | 3 | |
| | 11 | 354.112 | 6 | |
| | 12 | 1.14390 | 3 | |
| | 13 | 378.445 | 1 | |
| | 14 | 378.745 | 1 | |
| | 15 | 379.359 | 1 | |
| | 16 | 621.1218 | 3 | |
| | 17 | 355.01320 | 3 | |
| | 18 | 1.14471 | 3 | |
| | 19 | 1.31683 | 1 | |
| | 20 | 1.31654 | 1 | |
| | 21 | 1.30739 | 6 | |



| | | |
|--------------|-------------------------------------------------------------------------------------|--------------|
| C 310 | TELAIO ASPO CHASSIS RABATTEUR BASTIDOR MOLINETE REEL FRAME HASPELRAHMEN | Q 4 A |
| | 6/1984 | 5F750A04 |

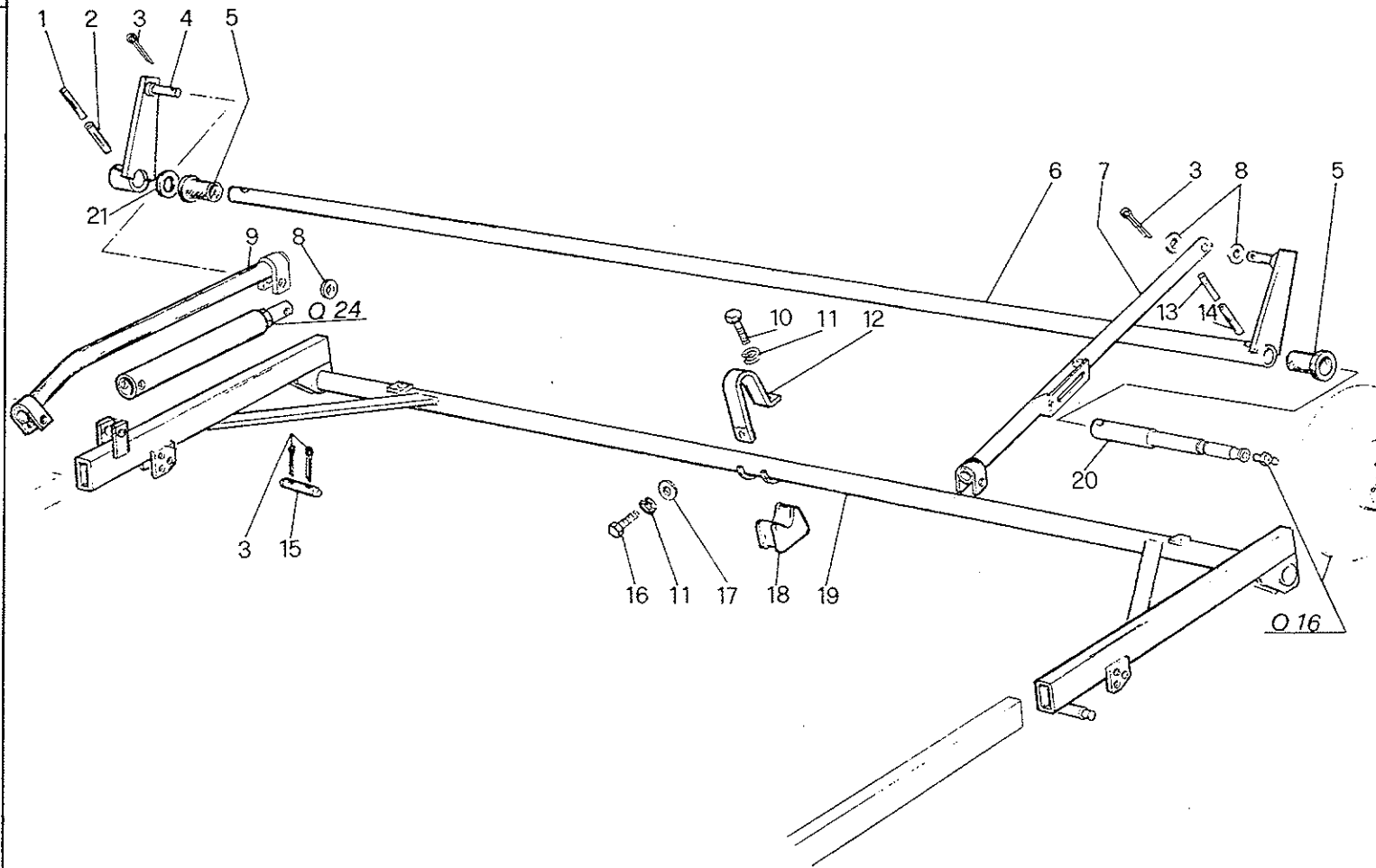
| MODIE | REF | N° ORDIN. | DENOMINAZIONE | DESIGNATION | DENOMINACIONES | DESCRIPTION | BENENNUNG |
|--------|-----|-----------|-------------------------|--------------------|-------------------|-------------------|------------------|
| | 1 | 378.455 | SPINA ELASTICA | GOUPILLE ELASTIQUE | PASADOR | ROLL PIN | SPANNUELSE |
| | 2 | 378.755 | SPINA ELASTICA | GOUPILLE ELASTIQUE | PASADOR | ROLL PIN | SPANNUELSE |
| | 3 | 377.425 | COPIGLIA | GOUPILLE | PASADOR ABIERTO | COTTER PIN | SPLINT |
| | 4 | 1.31656 | BRACCIO D. AVANZ. ASPO | BRAS D. | BRAZO DE. | ARM, R.H. | ARM R. |
| | 5 | 1.5803 | BOCCOLA NYLON | BAGUE | CASQUILLO | BUSH | BUECHSE |
| | 6 | 1.31690 | ALBERO AVANZAMENTO ASPO | ARBRE | ARBOL | SHAFT | WELLE |
| | 7 | 1.31657 | PUNTONE S. AVANZ. ASPO | TIRANT G. | BIELA IZ. | GUIDE STRUT, L.H. | GLEITSTANGE L. |
| | 8 | 355.01730 | RONDELLA | RONDELLE | ARANDELA | WASHER | SCHEIBE |
| C 0719 | 9 | 1.31658 | PUNTONE D. AVANZ. ASPO | TIRANT D. | BIELA DE. | GUIDE STRUT, R.H. | GLEITSTANGE R. |
| D 0719 | 9 | 1.35920 | PUNTONE D. AVANZ. ASPO | TIRANT D. | BIELA DE. | GUIDE STRUT, R.H. | GLEITSTANGE R. |
| | 10 | 621.1216 | VITE | VIS | TORNILLO | SCREW | SCHRAUBE |
| | 11 | 354.112 | ROSETTA ELASTICA | RONDELLE W | ARANDELA ELASTICA | SPRING WASHER | FEDERSCHEIBE |
| | 12 | 1.14390 | BRIGLIA SU SUPPORTO | BRIDE | BRIDA | CLAMP | SHELLE |
| | 13 | 378.445 | SPINA ELASTICA | GOUPILLE ELASTIQUE | PASADOR | ROLL PIN | SPANNUELSE |
| | 14 | 378.745 | SPINA ELASTICA | GOUPILLE ELASTIQUE | PASADOR | ROLL PIN | SPANNUELSE |
| | 15 | 379.359 | SPINA | AXE | PASADOR | PIN | STIFT |
| | 16 | 621.1218 | VITE | VIS | TORNILLO | SCREW | SCHRAUBE |
| | 17 | 355.01320 | RONDELLA | RONDELLE | ARANDELA | WASHER | SCHEIBE |
| | 18 | 1.14471 | DISTANZIALE | ENTRETOISE | ESPACIADOR | SPACER | DISTANZSTUECK |
| | 19 | 1.31683 | TELAIO ASPO | CHASSIS RABATTEUR | BASTIDOR MOLINETE | REEL FRAME | HASPELTRAGRAMMER |
| | 20 | 1.31654 | ALBERO VARIATORE ASPO | ARBRE | ARBOL | SHAFT | WELLE |
| | 21 | 1.30739 | RONDELLA | RONDELLE | ARANDELA | WASHER | SCHEIBE |

| MODIF. | RIF. | N° ORDIN. | QUANT. | NOTE |
|--------|------|-----------|--------|------|
| | 1 | 378.455 | 1 | |
| | 2 | 378.755 | 1 | |
| | 3 | 377.425 | 4 | |
| | 4 | 1.31656 | 1 | |
| | 5 | 1.5803 | 2 | |
| | 6 | 1.31691 | 1 | |
| | 7 | 1.31657 | 1 | |
| | 8 | 355.01730 | 5 | |
| C 0719 | 9 | 1.31658 | 1 | |
| D 0719 | 9 | 1.35920 | 1 | |
| | 10 | 621.1216 | 3 | |
| | 11 | 354.112 | 6 | |
| | 12 | 1.14390 | 3 | |
| | 13 | 378.445 | 1 | |
| | 14 | 378.745 | 1 | |
| | 15 | 379.359 | 1 | |
| | 16 | 621.1218 | 3 | |
| | 17 | 355.01320 | 3 | |
| | 18 | 1.14471 | 3 | |
| | 19 | 1.31684 | 1 | |
| | 20 | 1.31654 | 1 | |
| | 21 | 1.30739 | 6 | |

| | | |
|--------------|-------------------------------------------------------------------------------------|--------------|
| | D 0719 tel.n°5F7231985 → 1.31658 = 1.35920 | |
| C 360 | TELAIO ASPO CHASSIS RABATTEUR BASTIDOR MOLINETE REEL FRAME HASPELRAHMEN | Q 4 B |
| 6/1984 | | 5F750A06 |

| MODIF. | RIF. | N° ORDIN. | DENOMINAZIONE | DESIGNATION | DENOMINACIONES | DESCRIPTION | BENENNUNG |
|--------|------|-----------|-----------------------------|--------------------|-------------------|-------------------|------------------|
| | 1 | 378.455 | SPINA ELASTICA | GOUPILLE ELASTIQUE | PASADOR | ROLL PIN | SPANNUELSE |
| | 2 | 378.755 | SPINA ELASTICA | GOUPILLE ELASTIQUE | PASADOR | ROLL PIN | SPANNUELSE |
| | 3 | 377.425 | COPIGLIA | GOUPILLE | PASADOR ABIERTO | COTTER PIN | SPLINT |
| | 4 | 1.31656 | BRACCIO D. AVANZAMENTO ASPO | BRAS D. | BRAZO DE. | ARM, R.H. | ARM R. |
| | 5 | 1.5803 | BOCCOLA NYLON | BAGUE | CASQUILLO | BUSH | BUECHSE |
| | 6 | 1.31691 | ALBERO AVANZAMENTO ASPO | ARBRE | ARBOL | SHAFT | WELLE |
| | 7 | 1.31657 | PUNTONE S. AVANZAMENTO ASPO | TIRANT G. | BIELA IZ. | GUIDE STRUT, L.H. | GLEITSTANGE L. |
| | 8 | 355.01730 | RONDELLA | RONDELLE | ARANDELA | WASHER | SCHEIBE |
| C 0719 | 9 | 1.31658 | PUNTONE D. AVANZAMENTO ASPO | TIRANT D. | BIELA DE. | GUIDE STRUT, R.H. | GLEITSTANGE R. |
| D 0719 | 9 | 1.35920 | PUNTONE D. AVANZAMENTO ASPO | TIRANT D. | BIELA DE. | GUIDE STRUT, R.H. | GLEITSTANGE R. |
| | 10 | 621.1216 | VITE | VIS | TORNILLO | SCREW | SCHRAUBE |
| | 11 | 354.112 | ROSETTA ELASTICA | RONDELLE W | ARANDELA ELASTICA | SPRING WASHER | FEDERSCHEIBE |
| | 12 | 1.14390 | BRIGLIA SU SUPPORTO | BRIDE | BRIDA | CLAMP | SHELLE |
| | 13 | 378.445 | SPINA ELASTICA | GOUPILLE ELASTIQUE | PASADOR | ROLL PIN | SPANNUELSE |
| | 14 | 378.745 | SPINA ELASTICA | GOUPILLE ELASTIQUE | PASADOR | ROLL PIN | SPANNUELSE |
| | 15 | 379.359 | SPINA | AXE | PASADOR | PIN | STIFT |
| | 16 | 621.1218 | VITE | VIS | TORNILLO | SCREW | SCHRAUBE |
| | 17 | 355.01320 | RONDELLA | RONDELLE | ARANDELA | WASHER | SCHEIBE |
| | 18 | 1.14471 | DISTANZIALE | ENTRETOISE | ESPACIADOR | SPACER | DISTANZSTUECK |
| | 19 | 1.31684 | TELAIO ASPO | CHASSIS RABATTEUR | BASTIDOR MOLINETE | REEL FRAME | HASPELTRAGRAMMER |
| | 20 | 1.31654 | ALBERO VARIATORE ASPO | ARBRE | ARBOL | SHAFT | WELLE |
| | 21 | 1.30739 | RONDELLA | RONDELLE | ARANDELA | WASHER | SCHEIBE |

| MODIF. | RIF. | N° ORDIN. | QUANT. | NOTE |
|--------|------|-----------|--------|------|
| | 1 | 378.455 | 1 | |
| | 2 | 378.755 | 1 | |
| | 3 | 377.425 | 4 | |
| | 4 | 1.31656 | 1 | |
| | 5 | 1.5803 | 2 | |
| | 6 | 1.31655 | 1 | |
| | 7 | 1.31657 | 1 | |
| | 8 | 355.01730 | 5 | |
| C 0719 | 9 | 1.31658 | 1 | |
| D 0719 | 9 | 1.35920 | 1 | |
| | 10 | 621.1216 | 5 | |
| | 11 | 354.112 | 10 | |
| | 12 | 1.14390 | 5 | |
| | 13 | 378.445 | 1 | |
| | 14 | 378.745 | 1 | |
| | 15 | 379.359 | 1 | |
| | 16 | 621.1218 | 5 | |
| | 17 | 355.01320 | 5 | |
| | 18 | 1.14471 | 5 | |
| | 19 | 1.31652 | 1 | |
| | 20 | 1.31654 | 1 | |
| | 21 | 1.30739 | 6 | |



D 0719 tel.n°5F7241998 → ~~1.31658~~ = 1.35920

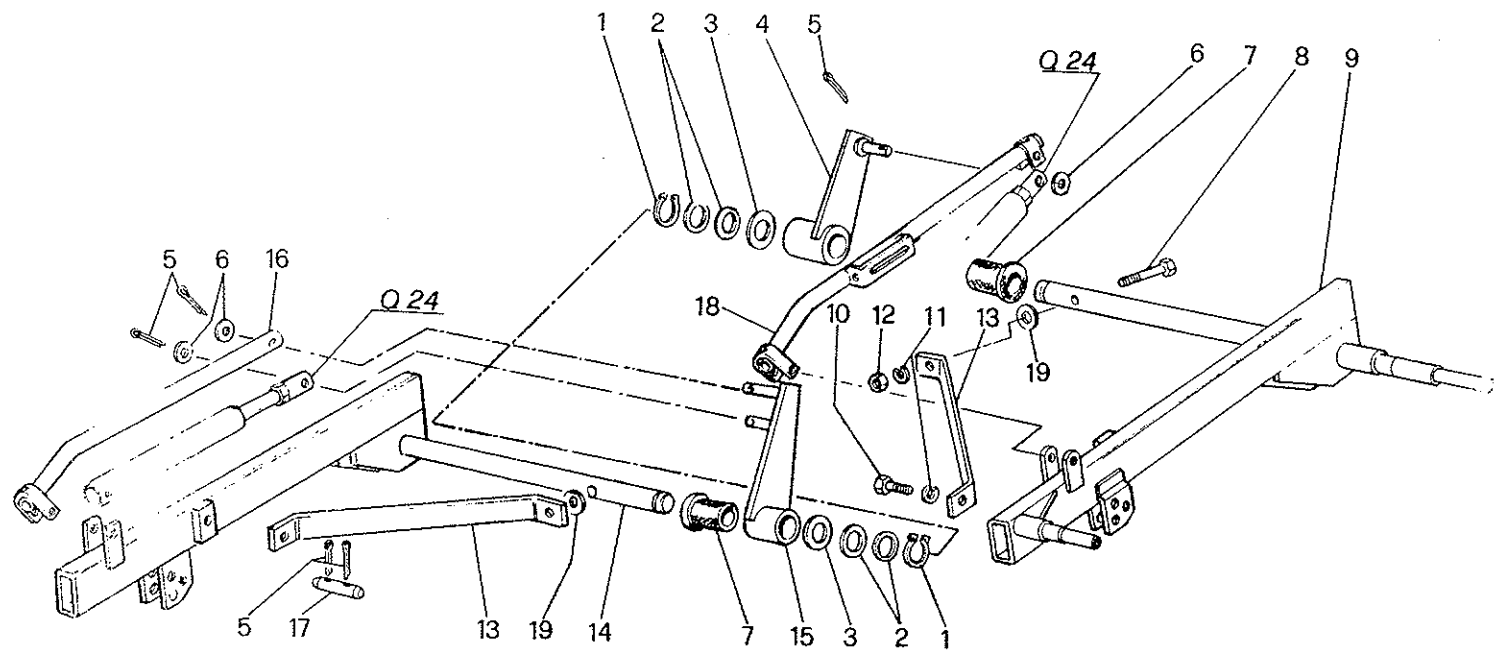
| | | |
|--------------|-------------------------------------------------------------------------------------|------------|
| C 420 | TELAIO ASPO CHASSIS RABATTEUR BASTIDOR MOLINETE REEL FRAME HASPELRAHMEN | Q4D |
| | 6/1984 | 5F750A10 |

Q4D

LAVERDA

| MODIF. | RIF | N° ORDIN. | DENOMINAZIONE | DESIGNATION | DENOMINACIONES | DESCRIPTION | BENENNUNG |
|--------|-----|-----------|-----------------------------|--------------------|-------------------|-------------------|------------------|
| | 1 | 378.455 | SPINA ELASTICA | GOUPILLE ELASTIQUE | PASADOR | ROLL PIN | SPANNUELSE |
| | 2 | 378.755 | SPINA ELASTICA | GOUPILLE ELASTIQUE | PASADOR | ROLL PIN | SPANNUELSE |
| | 3 | 377.425 | COPIGLIA | GOUPILLE | PASADOR ABIERTO | COTTER PIN | SPLINT |
| | 4 | 1.31656 | BRACCIO D AVANZAMENTO ASPO | BRAS D. | BRAZO DE. | ARM, R.H. | WELLE R. |
| | 5 | 1.5803 | BOCCOLA NYLON | BAGUE | CASQUILLO | BUSH | BUECHSE |
| | 6 | 1.31655 | ALBERO AVANZAMENTO ASPO | ARBRE | ARBOL | SHAFT | WELLE |
| | 7 | 1.31657 | PUNTONE S. AVANZAMENTO ASPO | TIRANT G. | BIELA IZ. | GUDE STRUT, L.H. | GLEITSTANGE L. |
| | 8 | 355.01730 | RONDELLA | RONDELLE | ARANDELA | WASHER | SCHLEIBE |
| C 0719 | 9 | 1.31658 | PUNTONE D. AVANZAMENTO ASPO | TIRANT D. | BIELA DE. | GUIDE STRUT, R.H. | GLEITSTANGE R. |
| D 0719 | 9 | 1.35920 | PUNTONE D. AVANZAMENTO ASPO | TIRANT D. | BIELA DE. | GUIDE STRUT, R.H. | GLEITSTANGE R. |
| | 10 | 621.1216 | VITE | VIS | TORNILLO | SCREW | SCHRAUBE |
| | 11 | 354.112 | ROSETTA ELASTICA | RONDELLE W | ARANDELA ELASTICA | SPRING WASHER | FEDERSCHLEIBE |
| | 12 | 1.14390 | BRIGLIA SU SUPPORTO | BRIDE | BRIDA | CLAMP | SCHELLE |
| | 13 | 378.445 | SPINA ELASTICA | GOUPILLE ELASTIQUE | PASADOR | ROLL PIN | SPANNUELSE |
| | 14 | 378.745 | SPINA ELASTICA | GOUPILLE ELASTIQUE | PASADOR | ROLL PIN | SPANNUELSE |
| | 15 | 379.359 | SPINA | AXE | PASADOR | PIN | STIFT |
| | 16 | 621.1218 | VITE | VIS | TORNILLO | SCREW | SCHRAUBE |
| | 17 | 355.01320 | RONDELLA | RONDELLE | ARANDELA | WASHER | SCHLEIBE |
| | 18 | 1.14471 | DISTANZIALE | ENTRETOISE | ESPACIADOR | SPACER | DISTANZSTUECK |
| | 19 | 1.31652 | TELAIO ASPO | CHASSIS RABATTEUR | BASTIDOR MOLINETE | REEL FRAME | HASPELTRAGRAMMER |
| | 20 | 1.31654 | ALBERO VARIATORE ASPO | ARBRE | ARBOL | SHAFT | WELLE |
| | 21 | 1.30739 | RONDELLA | RONDELLE | ARANDELA | WASHER | SCHLEIBE |

| MODIF. | RIF. | N° ORDIN. | QUANT. | NOTE |
|--------|------|-----------|--------|------|
| | 1 | 357.132 | 2 | |
| | 2 | 355.40210 | 6 | |
| | 3 | 355.45920 | 2 | |
| | 4 | 1.32754 | 1 | |
| | 5 | 377.425 | 7 | |
| | 6 | 355.01730 | 3 | |
| | 7 | 1.32752 | 2 | |
| | 8 | 611.1230 | 2 | |
| | 9 | 1.35548 | 1 | |
| | 10 | 621.1216 | 2 | |
| | 11 | 354.112 | 4 | |
| | 12 | 650.112 | 2 | |
| | 13 | 1.32735 | 2 | |
| | 14 | 1.35547 | 1 | |
| | 15 | 1.32753 | 1 | |
| C 0720 | 16 | 1.35556 | 1 | |
| D 0720 | 16 | 1.35921 | 1 | |
| | 17 | 379.359 | 2 | |
| | 18 | 1.35546 | 1 | |
| | 19 | 355.11220 | 2 | |

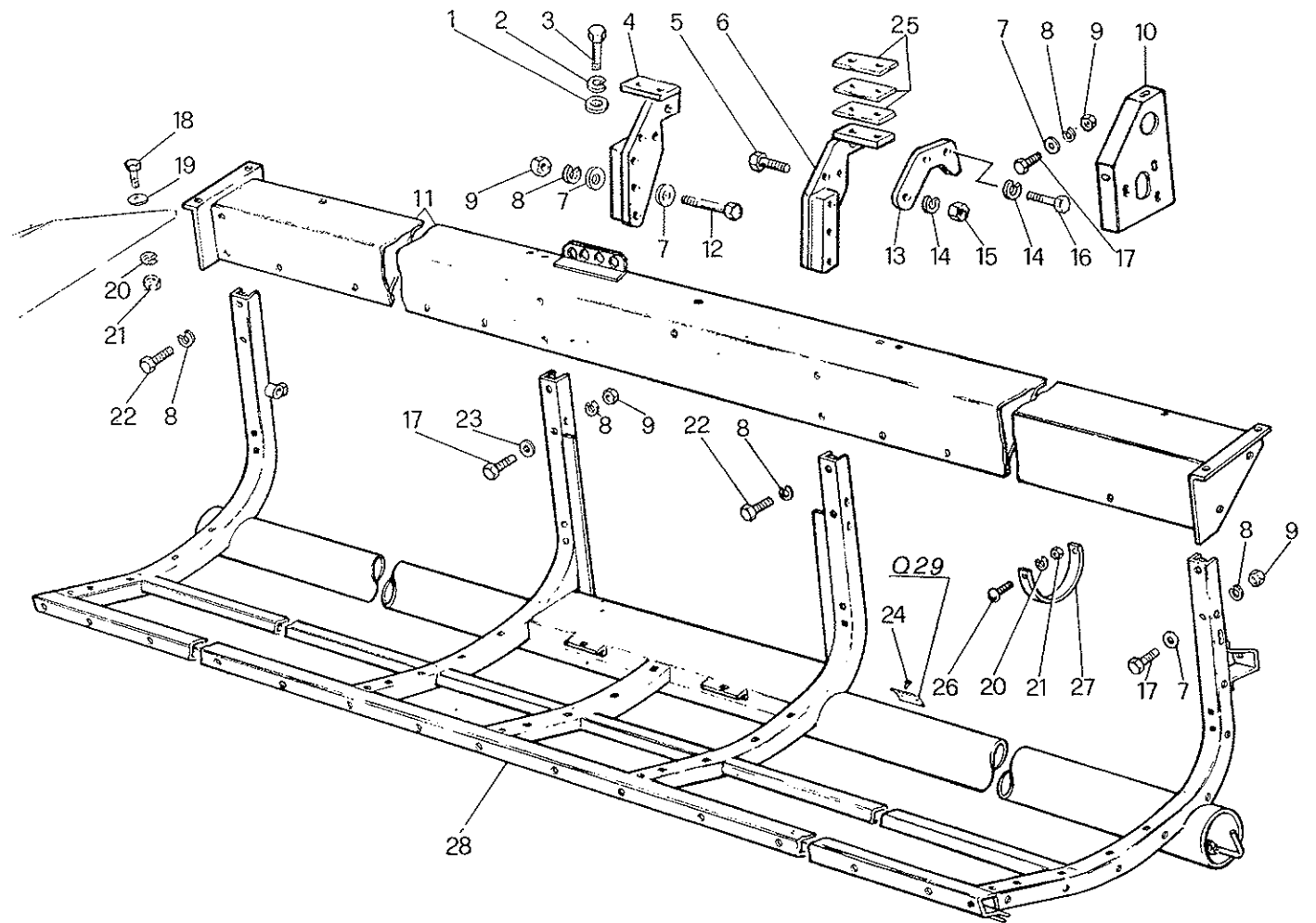


D 0720 tel.n° 5F7252134 - 5F7272206 - 5F7282238 - 5F7291968 → ~~1.35556~~ = 1.35921

| | | |
|--------------------------------------------------------------|-------------------------------------------------------------------------------------|----------------------------------|
| C 480 C 540 C 600 C 660 | TELAIO ASPO CHASSIS RABATTEUR BASTIDOR MOLINETE REEL FRAME HASPELRAHMEN | Q 4 E |
| | | 5F750A12 5F750A14 5F750A16 |
| 6/1984 | | |

| MODIF. | RIF. | N° ORDIN. | DENOMINAZIONE | DESIGNATION | DENOMINACIONES | DESCRIPTION | BENENNUNG |
|--------|------|--------------|-----------------------------|-------------|-------------------|-------------------|----------------|
| | | 1 357.132 | ANELLO ELASTICO | CIRCLIPS | ANILLO ELASTICO | CIRCLIP | SICHERUNGSRING |
| | | 2 355.40210 | RONDELLA | RONDELLE | ARANDELA | WASHER | SCHEIBE |
| | | 3 355.45920 | RONDELLA | RONDELLE | ARANDELA | WASHER | SCHEIBE |
| | | 4 1.32754 | LEVA S. AVANZAMENTO ASPO | LEVIER G. | PALANCA IZ. | LEVER, L.H. | HEBEL L. |
| | | 5 377.425 | COPIGLIA | GOUPILLE | PASADOR ABIERTO | COTTER PIN | SPLINT |
| | | 6 355.01730 | RONDELLA | RONDELLE | ARANDELA | WASHER | SCHEIBE |
| | | 7 1.32752 | BOCCOLA NYLON | BAGUE | CASQUILLO | BUSH | BUECHSE |
| | | 8 611.1230 | VITE | VIS | TORNILLO | SCREW | SCHRAUBE |
| | | 9 1.35548 | BRACCIO S. | BRAS G. | BRAZO IZ. | ARM, L.H. | ARM L. |
| | | 10 621.1216 | VITE | VIS | TORNILLO | SCREW | SCHRAUBE |
| | | 11 354.112 | ROSETTA ELASTICA | RONDELLE W | ARANDELA ELASTICA | SPRING WASHER | FEDERSCHEIBE |
| | | 12 650.112 | DADO | ECROU | TUERCA | NUT | MUTTER |
| | | 13 1.32735 | IRRIDIMENTO ASPO | RAIDISSEUR | REFUERZO | STIFFENER | VERSTAERKUNG |
| | | 14 1.35547 | BRACCIO D. | BRAS D. | BRAZO DE. | ARM, R.H. | ARM R. |
| | | 15 1.32753 | BRACCIO D. AVANZAMENTO ASPO | BRAS D. | BRAZO DE. | ARM, R.H. | ARM R. |
| C 0720 | | 16 1.35556 | PUNTONE D. AVANZAMENTO ASPO | TIRANT D. | BIELA DE. | GUIDE STRUT, R.H. | GLEITSTANGE R. |
| D 0720 | | 16 1.35921 | PUNTONE D. AVANZAMENTO ASPO | TIRANT D. | BIELA DE. | GUIDE STRUT, R.H. | GLEITSTANGE R. |
| | | 17 379.359 | SPINA | AXE | PASADOR | PIN | STIFT |
| | | 18 1.35546 | PUNTONE S. AVANZAMENTO ASPO | TIRANT G. | BIELA IZ. | GUIDE STRUT, L.H. | GLEITSTANGE L. |
| | | 19 355.11220 | RONDELLA | RONDELLE | ARANDELA | WASHER | SCHEIBE |

| MODIF. | RIF. | N° ORDIN. | QUANT. | NOTE |
|--------|------|-----------|--------|------|
| | 1 | 355.01330 | 2 | |
| | 2 | 354.112 | 4 | |
| | 3 | 626.1218 | 4 | |
| | 4 | 1.15709 | 1 | |
| | 5 | 616.1424 | 2 | |
| | 6 | 1.15708 | 1 | |
| | 7 | 355.11030 | 15 | |
| | 8 | 354.110 | 16 | |
| | 9 | 650.110 | 12 | |
| | 10 | 1.14619 | 1 | |
| | 11 | 1.25798 | 1 | |
| | 12 | 611.1036 | 6 | |
| | 13 | 1.15684 | 2 | |
| | 14 | 354.114 | 4 | |
| | 15 | 650.614 | 2 | |
| | 16 | 626.1418 | 2 | |
| | 17 | 621.1018 | 6 | |
| | 18 | 621.0814 | 2 | |
| | 19 | 355.10820 | 2 | |
| | 20 | 354.108 | 3 | |
| | 21 | 650.108 | 3 | |
| | 22 | 621.1016 | 4 | |
| | 23 | 355.01120 | 4 | |
| | 24 | 339.206 | 2 | |
| | 25 | 1.15150 | 6 | |
| | 26 | 342.511 | 1 | |
| | 27 | 1.19686 | 1 | |
| | 28 | 1.25799 | 1 | |



C 310

TELAIO PIATTAFORMA
 CHASSIS PLATEFORME
 BASTIDOR PLATAFORMA
 CUTTER BAR TABLE FRAME
 MAEHTISCHRAHMEN

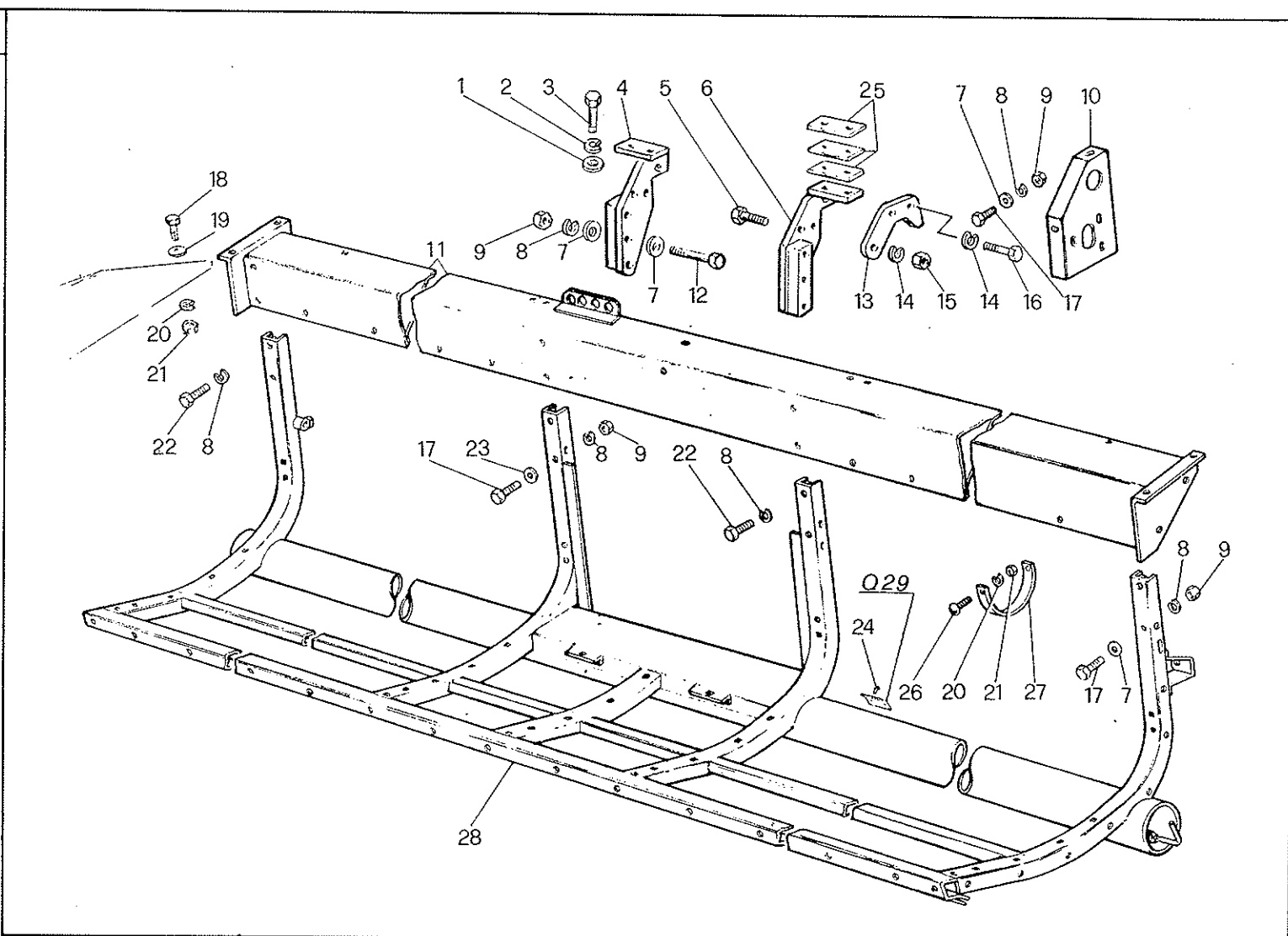
Q 5 A

5F750A04

2/1983

| MODIF. | RIF. | N° ORDIN. | DENOMINAZIONE | DESIGNATION | DENOMINACIONES | DESCRIPTION | BENENNUNG |
|--------|------|-----------|-----------------------------|--------------------|---------------------|------------------|-----------------|
| | 1 | 355.01330 | RONDELLA | RONDELLE | ARANDELA | WASHER | SCHEIBE |
| | 2 | 354.112 | ROSETTA ELASTICA | RONDELLE W | ARANDELA ELASTICA | SPRING WASHER | FEDERSCHEIBE |
| | 3 | 626.1218 | VITE | VIS | TORNILLO | SCREW | SCHRAUBE |
| | 4 | 1.15709 | SUPPORTO D. GANCIO PIATTAF. | SUPPORT D. | SOPORTE DE. | SUPPORT, R.H. | HALTERUNG L. |
| | 5 | 616.1424 | VITE | VIS | TORNILLO | SCREW | SCHRAUBE |
| | 6 | 1.15708 | SUPPORTO S. GANCIO PIATTAF. | SUPPORT G. | SOPORTE IZ. | SUPPORT, L.H. | HALTERUNG L. |
| | 7 | 355.11030 | RONDELLA | RONDELLE | ARANDELA | WASHER | SCHEIBE |
| | 8 | 354.110 | ROSETTA ELASTICA | RONDELLE W | ARANDELA ELASTICA | SPRING WASHER | FEDERSCHEIBE |
| | 9 | 650.110 | DADO | ECROU | TUERCA | NUT | MUTTER |
| | 10 | 1.14619 | MENSOLA SUPPORTO | SUPPORT | SOPORTE | SUPPORT | HALTERUNG |
| | 11 | 1.25798 | TRAVE PIATTAFORMA | RAIDISSEUR | REFUERZO | STIFFENER | QUERRAHMEN |
| | 12 | 611.1036 | VITE | VIS | TORNILLO | SCREW | SCHRAUBE |
| | 13 | 1.15684 | GANCIO SOLLEV. PIATTAF. | CROCHET | GANCHO | HOOK | HAKEN |
| | 14 | 354.114 | ROSETTA ELASTICA | RONDELLE W | ARANDELA ELASTICA | SPRING WASHER | FEDERSCHEIBE |
| | 15 | 650.614 | DADO | ECROU | TUERCA | NUT | MUTTER |
| | 16 | 626.1418 | VITE | VIS | TORNILLO | SCREW | SCHRAUBE |
| | 17 | 621.1018 | VITE | VIS | TORNILLO | SCREW | SCHRAUBE |
| | 18 | 621.0814 | VITE | VIS | TORNILLO | SCREW | SCHRAUBE |
| | 19 | 355.10820 | RONDELLA | RONDELLE | ARANDELA | WASHER | SCHEIBE |
| | 20 | 354.108 | ROSETTA ELASTICA | RONDELLE W | ARANDELA ELASTICA | SPRING WASHER | FEDERSCHEIBE |
| | 21 | 650.108 | DADO | ECROU | TUERCA | NUT | MUTTER |
| | 22 | 621.1016 | VITE | VIS | TORNILLO | SCREW | SCHRAUBE |
| | 23 | 355.01120 | RONDELLA | RONDELLE | ARANDELA | WASHER | SCHEIBE |
| | 24 | 339.206 | VITE AUTOFIL. | VIS | TORNILLO | SCREW | SCHRAUBE |
| | 25 | 1.15150 | SPESSORE | EPAISSEUR | ESPESOR | SHIM | DISTANSTUECK |
| | 26 | 342.511 | VITE SPECIALE | VIS SPECIAL | TORNILLO ESPECIAL | SPECIAL SCREW | SPEZIALSCHRAUBE |
| | 27 | 1.19686 | SUPPORTO | SUPPORT | SOPORTE | SUPPORT | HALTERUNG |
| | 28 | 1.25799 | TELAIO PIATTAFORMA | CHASSIS PLATEFORME | BASTIDOR PLATAFORMA | CUTTER BAR FRAME | MAEHTISCHRAHMEN |

| MODIF. | RIF. | N° ORDIN. | QUANT. | NOTE |
|--------|------|-----------|--------|------|
| | 1 | 355.01330 | 2 | |
| | 2 | 354.112 | 4 | |
| | 3 | 626.1218 | 4 | |
| | 4 | 1.15709 | 1 | |
| | 5 | 616.1424 | 2 | |
| | 6 | 1.15708 | 1 | |
| | 7 | 355.11030 | 15 | |
| | 8 | 354.110 | 16 | |
| | 9 | 650.110 | 12 | |
| | 10 | 1.14619 | 1 | |
| | 11 | 1.31948 | 1 | |
| | 12 | 611.1036 | 6 | |
| | 13 | 1.15684 | 2 | |
| | 14 | 354.114 | 4 | |
| | 15 | 650.614 | 2 | |
| | 16 | 626.1418 | 2 | |
| | 17 | 621.1018 | 6 | |
| | 18 | 621.0814 | 2 | |
| | 19 | 355.10820 | 2 | |
| | 20 | 354.108 | 3 | |
| | 21 | 650.108 | 3 | |
| | 22 | 621.1016 | 4 | |
| | 23 | 355.01120 | 4 | |
| | 24 | 339.206 | 2 | |
| | 25 | 1.15150 | 6 | |
| | 26 | 342.511 | 1 | |
| | 27 | 1.19686 | 1 | |
| | 28 | 1.31947 | 1 | |



C 360

2/1983

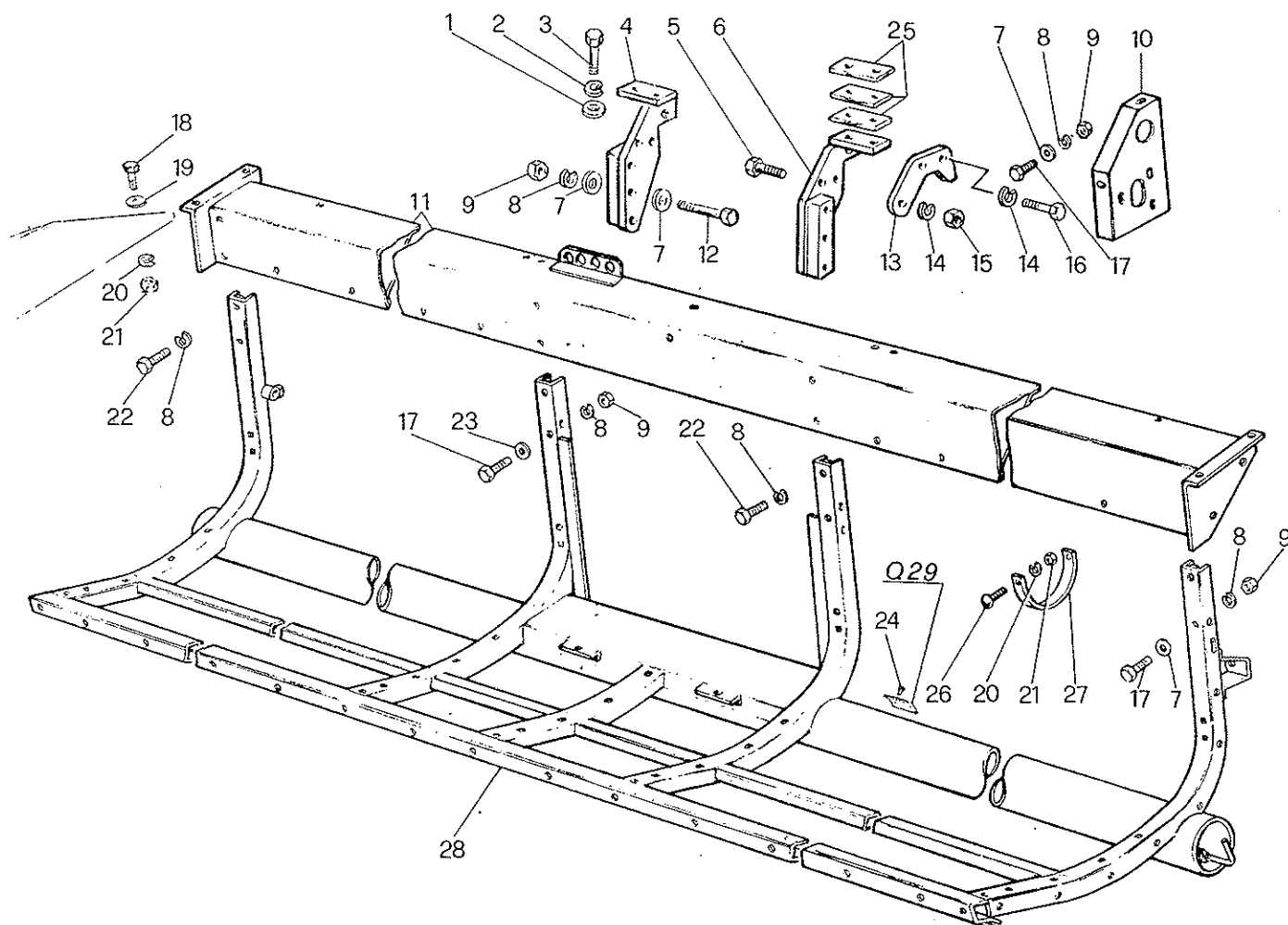
TELAIO PIATTAFORMA
 CHASSIS PLATEFORME
 BASTIDOR PLATAFORMA
 CUTTER BAR TABLE FRAME
 MAEHTISCHRAHMEN

Q 5 B

5F750A00

| MODIF. | RIF. | N° ORDIN. | DENOMINAZIONE | DESIGNATION | DENOMINACIONES | DESCRIPTION | BENENNUNG |
|--------|------|-----------|-----------------------------|--------------------|---------------------|------------------|-----------------|
| | 1 | 355.01330 | RONDELLA | RONDELLE | ARANDELA | WASHER | SCHEIBE |
| | 2 | 354.112 | ROSETTA ELASTICA | RONDELLE W | ARANDELA ELASTICA | SPRING WASHER | FEDERSCHEIBE |
| | 3 | 626.1218 | VITE | VIS | TORNILLO | SCREW | SCHRAUBE |
| | 4 | 1.15709 | SUPPORTO D. GANCIO PIATTAF. | SUPPORT D. | SOPORTE DE. | SUPPORT, R.H. | HALTERUNG R. |
| | 5 | 616.1424 | VITE | VIS | TORNILLO | SCREW | SCHRAUBE |
| | 6 | 1.15708 | SUPPORTO S. GANCIO PIATTAF. | SUPPORT G. | SOPORTE IZ. | SUPPORT, L.H. | HALTERUNG L. |
| | 7 | 355.11030 | RONDELLA | RONDELLE | ARANDELA | WASHER | SCHEIBE |
| | 8 | 354.110 | ROSETTA ELASTICA | RONDELLE W | ARANDELA ELASTICA | SPRING WASHER | FEDERSCHEIBE |
| | 9 | 650.110 | DADO | ECROU | TUERCA | NUT | MUTTER |
| | 10 | 1.14619 | MENSOLA SUPPORTO | SUPPORT | SOPORTE | SUPPORT | HALTERUNG |
| | 11 | 1.31948 | TRAVE PIATTAFORMA | RAIDISSEUR | REFUERZO | STIFFENER | QUERRAHMEN |
| | 12 | 611.1036 | VITE | VIS | TORNILLO | SCREW | SCHRAUBE |
| | 13 | 1.15684 | GANCIO SOLLEV. PIATTAF. | CROCHET | GANCHO | HOOK | HAKEN |
| | 14 | 354.114 | ROSETTA ELASTICA | RONDELLE W | ARANDELA ELASTICA | SPRING WASHER | FEDERSCHEIBE |
| | 15 | 650.614 | DADO | ECROU | TUERCA | NUT | MUTTER |
| | 16 | 626.1418 | VITE | VIS | TORNILLO | SCREW | SCHRAUBE |
| | 17 | 621.1018 | VITE | VIS | TORNILLO | SCREW | SCHRAUBE |
| | 18 | 621.0814 | VITE | VIS | TORNILLO | SCREW | SCHRAUBE |
| | 19 | 355.10820 | RONDELLA | RONDELLE | ARANDELA | WASHER | SCHEIBE |
| | 20 | 354.108 | ROSETTA ELASTICA | RONDELLE W | ARANDELA ELASTICA | SPRING WASHER | FEDERSCHEIBE |
| | 21 | 650.108 | DADO | ECROU | TUERCA | NUT | MUTTER |
| | 22 | 621.1016 | VITE | VIS | TORNILLO | SCREW | SCHRAUBE |
| | 23 | 355.01120 | RONDELLA | RONDELLE | ARANDELA | WASHER | SCHEIBE |
| | 24 | 339.206 | VITE AUTOFILETTANTE | VIS | TORNILLO | SCREW | SCHRAUBE |
| | 25 | 1.15150 | SPESSORE | EPAISSEUR | ESPEJOR | SHIM | DISTANZSTUECK |
| | 26 | 342.511 | VITE SPECIALE | VIS SPECIAL | TORNILLO ESPECIAL | SPECIAL SCREW | SPEZIALSCHRAUBE |
| | 27 | 1.19686 | SUPPORTO | SUPPORT | SOPORTE | SUPPORT | HALTERUNG |
| | 28 | 1.31947 | TELAIO PIATTAFORMA | CHASSIS PLATEFORME | BASTIDOR PLATAFORMA | CUTTER BAR FRAME | MAEHTISCHRAHMEN |

| MODIF. | RIF. | N° ORDIN. | QUANT. | NOTE |
|--------|------|-----------|--------|------|
| | 1 | 355.01330 | 2 | |
| | 2 | 354.112 | 4 | |
| | 3 | 626.1218 | 4 | |
| | 4 | 1.15709 | 1 | |
| | 5 | 616.1424 | 2 | |
| | 6 | 1.15708 | 1 | |
| | 7 | 355.11030 | 15 | |
| | 8 | 354.110 | 16 | |
| | 9 | 650.110 | 12 | |
| | 10 | 1.14619 | 1 | |
| | 11 | 1.31945 | 1 | |
| | 12 | 611.1036 | 6 | |
| | 13 | 1.15684 | 2 | |
| | 14 | 354.114 | 4 | |
| | 15 | 650.614 | 2 | |
| | 16 | 626.1418 | 2 | |
| | 17 | 621.1018 | 6 | |
| | 18 | 621.0814 | 2 | |
| | 19 | 355.10820 | 2 | |
| | 20 | 354.108 | 3 | |
| | 21 | 650.108 | 3 | |
| | 22 | 621.1016 | 4 | |
| | 23 | 355.01120 | 4 | |
| | 24 | 339.206 | 2 | |
| | 25 | 1.15150 | 6 | |
| | 26 | 342.511 | 1 | |
| | 27 | 1.19686 | 1 | |
| | 28 | 1.31643 | 1 | |
| | 29 | 1.15150 | 6 | |



| | | |
|--------------|--------------------------------------------------------------------------------------------------------------|--------------|
| C 420 | TELAIO PIATTAFORMA CHASSIS PLATEFORME BASTIDOR PLATAFORMA CUTTER BAR TABLE FRAME MAEHTISCHRAHMEN | Q 5 D |
| | 2/1983 | 5F750A10 |

Q 5 D

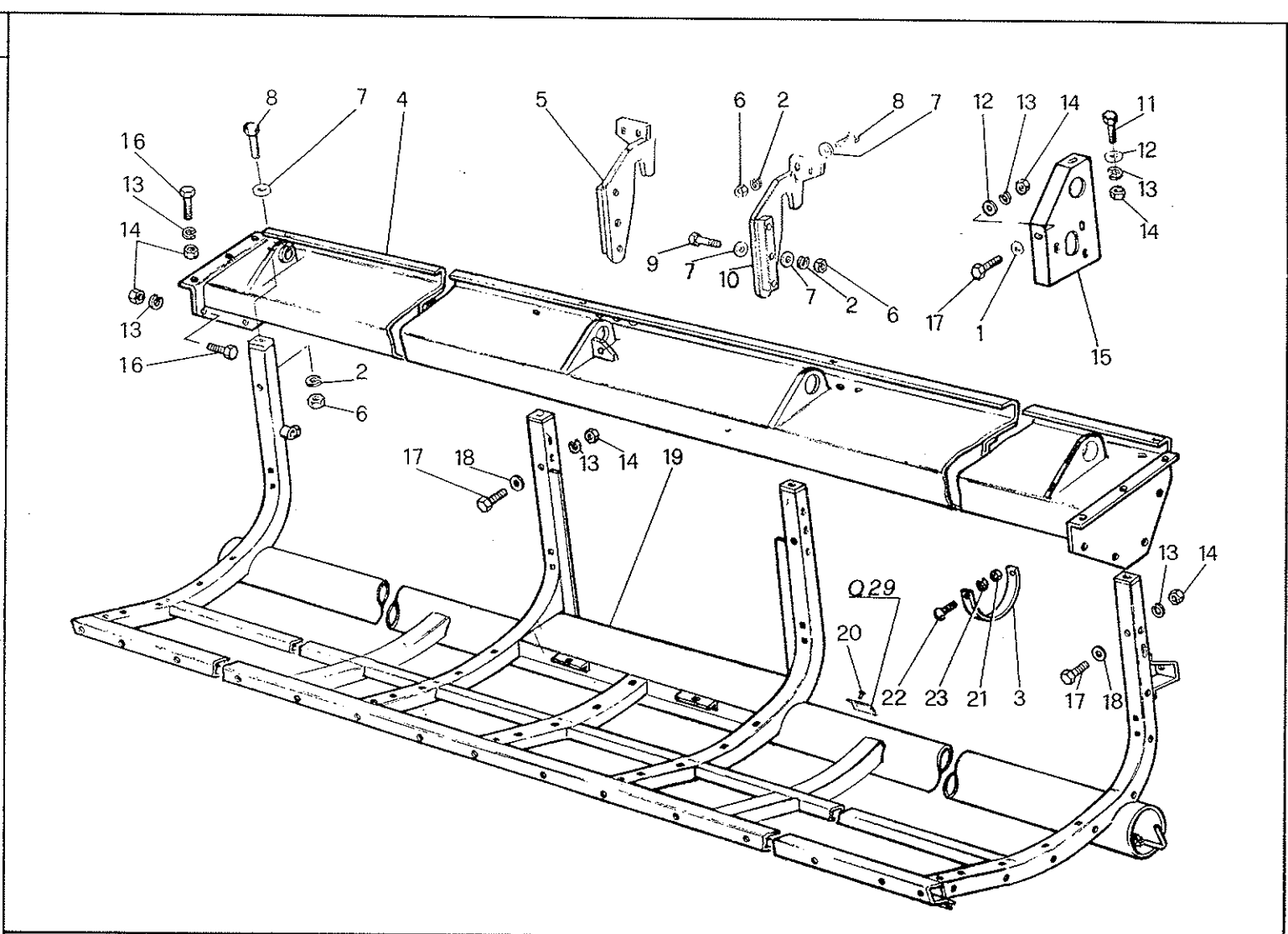
LAVERDA

| MODEL | REF | N° ORDIN. | DENOMINAZIONE | DESIGNATION | DENOMINACIONES | DESCRIPTION | BENENNUNG |
|-------|-----|-----------|-----------------------------|--------------------|---------------------|------------------|-----------------|
| | 1 | 355.01330 | RONDELLA | RONDELLE | ARANDELA | WASHER | SCHEIBE |
| | 2 | 354.112 | ROSETTA ELASTICA | RONDELLE W | ARANDELA ELASTICA | SPRING WASHER | FEDERSCHEIBE |
| | 3 | 626.1218 | VITE | VIS | TORNILLO | SCREW | SCHRAUBE |
| | 4 | 1.15709 | SUPPORTO D. GANCIO PIATTAF. | SUPPORT D. | SOPORTE DE. | SUPPORT, R.H. | HALTERUNG R. |
| | 5 | 616.1424 | VITE | VIS | TORNILLO | SCREW | SCHRAUBE |
| | 6 | 1.15708 | SUPPORTO S. GANCIO PIATTAF. | SUPPORT G. | SOPORTE IZ. | SUPPORT, L.H. | HALTERUNG L. |
| | 7 | 355.11030 | RONDELLA | RONDELLE | ARANDELA | WASHER | SCHEIBE |
| | 8 | 354.110 | ROSETTA ELASTICA | RONDELLE W | ARANDELA ELASTICA | SPRING WASHER | FEDERSCHEIBE |
| | 9 | 650.110 | DADO | ECROU | TUERCA | NUT | MUTTER |
| | 10 | 1.14619 | MENSOLA SUPPORTO | SUPPORT | SOPORTE | SUPPORT | HALTERUNG |
| | 11 | 1.31945 | TRAVE PIATTAFORMA | RAIDISSEUR | REFUERZO | STIFFENER | QUERRAHMEN |
| | 12 | 611.1036 | VITE | VIS | TORNILLO | SCREW | SCHRAUBE |
| | 13 | 1.15684 | GANCIO SOLLEV. PIATTAF. | CROCHET | GANCHO | HOOK | HAKEN |
| | 14 | 354.114 | ROSETTA ELASTICA | RONDELLE W | ARANDELA ELASTICA | SPRING WASHER | FEDERSCHEIBE |
| | 15 | 650.614 | DADO | ECROU | TUERCA | NUT | MUTTER |
| | 16 | 626.1418 | VITE | VIS | TORNILLO | SCREW | SCHRAUBE |
| | 17 | 621.1018 | VITE | VIS | TORNILLO | SCREW | SCHRAUBE |
| | 18 | 621.0814 | VITE | VIS | TORNILLO | SCREW | SCHRAUBE |
| | 19 | 355.10820 | RONDELLA | RONDELLE | ARANDELA | WASHER | SCHEIBE |
| | 20 | 354.108 | ROSETTA ELASTICA | RONDELLE W | ARANDELA ELASTICA | SPRING WASHER | FEDERSCHEIBE |
| | 21 | 650.108 | DADO | ECROU | TUERCA | NUT | MUTTER |
| | 22 | 621.1016 | VITE | VIS | TORNILLO | SCREW | SCHRAUBE |
| | 23 | 355.01120 | RONDELLA | RONDELLE | ARANDELA | WASHER | SCHEIBE |
| | 24 | 339.206 | VITE AUTOFIL. | VIS | TORNILLO | SCREW | SCHRAUBE |
| | 25 | 1.15150 | SPESSORE | EPAISSEUR | ESPESOR | SHIM | DISTANZSTUECK |
| | 26 | 342.511 | VITE SPECIALE | VIS SPECIAL | TORNILLO ESPECIAL | SPECIAL SCREW | SPEZIALSCHRAUBE |
| | 27 | 1.19686 | SUPPORTO | SUPPORT | SOPORTE | SUPPORT | HALTERUNG |
| | 28 | 1.31643 | TELAIO PIATTAFORMA | CHASSIS PLATEFORME | BASTIDOR PLATAFORMA | CUTTER BAR FRAME | MAEHTSCHRAHMEN |

| MODIF. | RIF. | N° ORDIN. | QUANT. | NOTE | | |
|--------|------|-----------|--------|------|---------------------------------------------------------------------------------------------------------------------------------------------|-----------------------------------|
| | 1 | 355.11010 | 1 | | | |
| | 2 | 354.112 | 14 | | | |
| | 3 | 1.19686 | 1 | | | |
| | 4 | 1.32603 | 1 | | | |
| | 5 | 1.32666 | 1 | | | |
| | 6 | 650.612 | 14 | | | |
| | 7 | 355.30830 | 20 | | | |
| | 8 | 626.1220 | 8 | | | |
| | 9 | 616.1238 | 6 | | | |
| | 10 | 1.32665 | 1 | | | |
| | 11 | 621.1016 | 1 | | | |
| | 12 | 355.11030 | 5 | | | |
| | 13 | 354.110 | 10 | | | |
| | 14 | 650.110 | 12 | | | |
| | 15 | 1.14619 | 1 | | | |
| | 16 | 621.1014 | 6 | | | |
| | 17 | 621.1018 | 9 | | | |
| | 18 | 355.01120 | 6 | | | |
| | 19 | 1.32572 | 1 | | | |
| | 20 | 339.206 | 2 | | | |
| | 21 | 650.108 | 1 | | | |
| | 22 | 342.511 | 1 | | | |
| | 23 | 354.108 | 1 | | | |
| | | | | | <p>C 480</p> <p>TELAIO PIATTAFORMA CHASSIS PLATEFORME BASTIDOR PLATAFORMA CUTTER BAR TABLE FRAME MAEHTISCHRAHMEN</p> | <p>Q5E</p> <p>SF750A12</p> |
| | | | | | 2/1983 | |

| MODIF | RIF | N° ORDIN. | DENOMINAZIONE | DESIGNATION | DENOMINACIONES | DESCRIPTION | BENENNUNG |
|-------|-----|-----------|----------------------------|--------------------|---------------------|---------------------|-----------------|
| | 1 | 355.11010 | RONDELLA | RONDELLE | ARANDELA | WASHER | SCHEIBE |
| | 2 | 354.112 | ROSETTA ELASTICA | RONDELLE W | ARANDELA ELASTICA | SPRING WASHER | FEDERSCHEIBE |
| | 3 | 1.19686 | SUPPORTO ALBERO CARDANICO | SUPPORT | SOPORTE | SUPPORT | HALTERUNG |
| | 4 | 1.32603 | TRAVE PIATTAFORMA | RAIDISSEUR | REFUERZO | STIFFENING | QUERRAHMEN |
| | 5 | 1.32666 | STAFFA DI AGGANCIAMENTO D. | ETRIER | ABRAZADERA | BRACKET | HALTERRAHMEN |
| | 6 | 650.612 | DADO | ECROU | TUERCA | NUT | MUTTER |
| | 7 | 355.30830 | RONDELLA | RONDELLE | ARANDELA | WASHER | SCHEIBE |
| | 8 | 626.1220 | VITE | VIS | TORNILLO | SCREW | SCHRAUBE |
| | 9 | 616.1238 | VITE | VIS | TORNILLO | SCREW | SCHRAUBE |
| | 10 | 1.32665 | STAFFA DI AGGANCIAMENTO | ETRIER | ABRAZADERA | BRACKET | HALTERRAHMEN |
| | 11 | 621.1016 | VITE | VIS | TORNILLO | SCREW | SCHRAUBE |
| | 12 | 355.11030 | RONDELLA | RONDELLE | ARANDELA | WASHER | SCHEIBE |
| | 13 | 354.110 | ROSETTA ELASTICA | RONDELLE W | ARANDELA ELASTICA | SPRING WASHER | FEDERSCHEIBE |
| | 14 | 650.110 | DADO | ECROU | TUERCA | NUT | MUTTER |
| | 15 | 1.14619 | MENSOLA SUPPORTO ESTERNO | SUPPORT | SOPORTE | SUPPORT | HALTERUNG |
| | 16 | 621.1014 | VITE | VIS | TORNILLO | SCREW | SCHRAUBE |
| | 17 | 621.1018 | VITE | VIS | TORNILLO | SCREW | SCHRAUBE |
| | 18 | 355.01120 | RONDELLA | RONDELLE | ARANDELA | WASHER | SCHEIBE |
| | 19 | 1.32572 | TELAIO PIATTAFORMA | CHASSIS PLATEFORME | BASTIDOR PLATAFORMA | CUTTING TABLE FRAME | MAEHTISCHRAHME |
| | 20 | 339.206 | VITE AUTOFILETTANTE | VIS | TORNILLO | SCREW | SCHRAUBE |
| | 21 | 650.108 | DADO | ECROU | TUERCA | NUT | MUTTER |
| | 22 | 342.511 | VITE SPECIALE | VIS SPECIAL | TORNILLO ESPECIAL | SPECIAL SCREW | SPEZIALSCHRAUBE |
| | 23 | 354.108 | ROSETTA ELASTICA | RONDELLE W | ARANDELA ELASTICA | SPRING WASHER | FEDERSCHEIBE |

| MODIF. | RIF. | N° ORDIN. | QUANT. | NOTE |
|--------|------|-----------|--------|------|
| | 1 | 355.11010 | 1 | |
| | 2 | 354.112 | 16 | |
| | 3 | 1.19686 | 1 | |
| | 4 | 1.32602 | 1 | |
| | 5 | 1.32666 | 1 | |
| | 6 | 650.612 | 16 | |
| | 7 | 355.30830 | 22 | |
| | 8 | 626.1220 | 10 | |
| | 9 | 616.1238 | 6 | |
| | 10 | 1.32665 | 1 | |
| | 11 | 621.1016 | 1 | |
| | 12 | 355.11030 | 5 | |
| | 13 | 354.110 | 14 | |
| | 14 | 650.110 | 12 | |
| | 15 | 1.14619 | 1 | |
| | 16 | 621.1014 | 6 | |
| | 17 | 621.1018 | 11 | |
| | 18 | 355.01120 | 6 | |
| | 19 | 1.32571 | 1 | |
| | 20 | 339.206 | 2 | |
| | 21 | 650.108 | 1 | |
| | 22 | 342.511 | 1 | |
| | 23 | 354.108 | 1 | |



C 540

TELAIO PIATTAFORMA
 CHASSIS PLATEFORME
 BASTIDOR PLATAFORMA
 CUTTER BAR TABLE FRAME
 MAEHTISCHRAHMEN

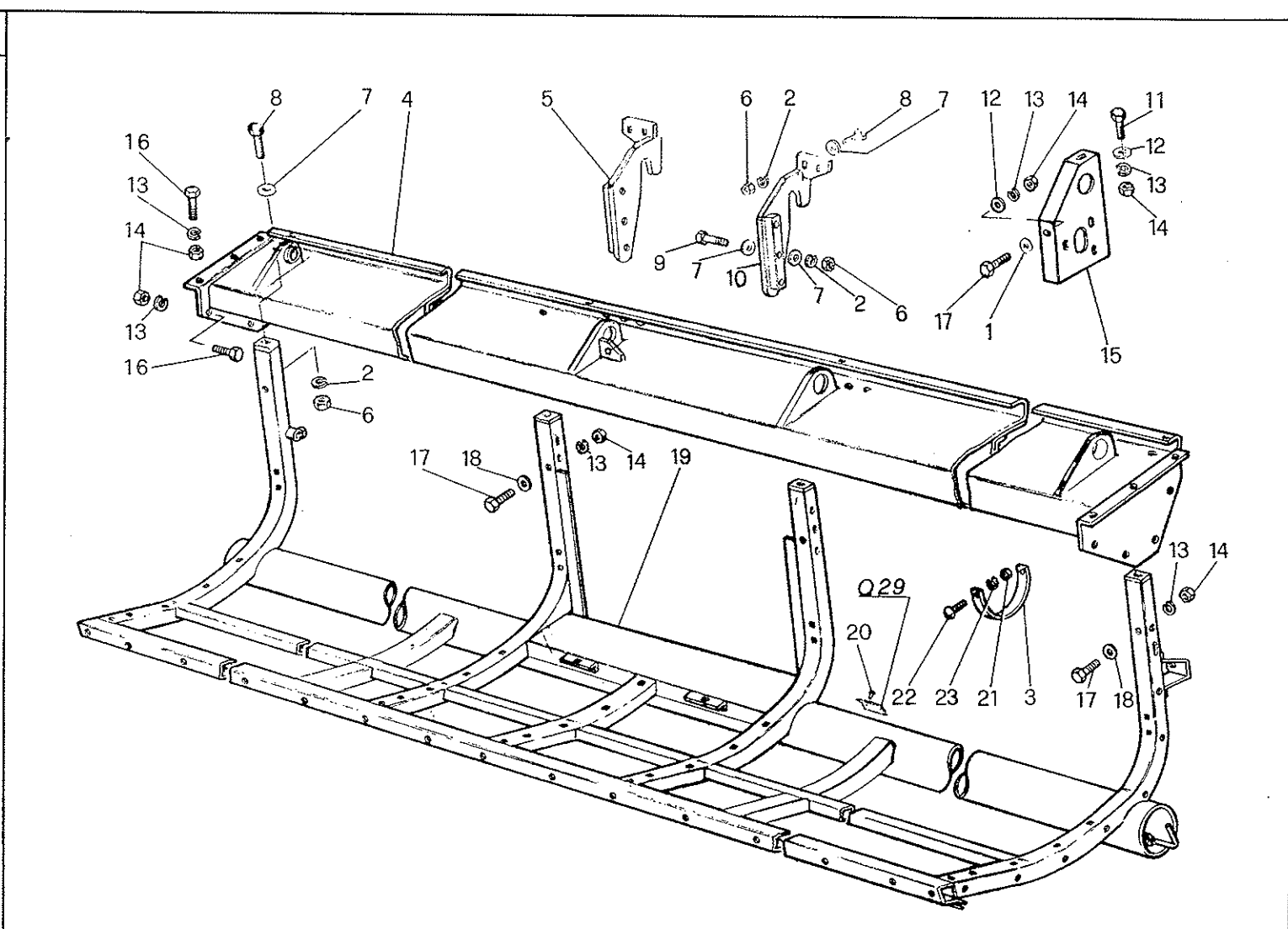
Q 5 F

5F750A14

2/1983

| MODIF. | RIF. | N° ORDIN. | DENOMINAZIONE | DESIGNATION | DENOMINACIONES | DESCRIPTION | BENENNUNG |
|--------|------|-----------|----------------------------|--------------------|---------------------|---------------------|-----------------|
| | 1 | 355.11010 | RONDELLA | RONDELLE | ARANDELA | WASHER | SCHEIBE |
| | 2 | 354.112 | ROSETTA ELASTICA | RONDELLE W | ARANDELA ELASTICA | SPRING WASHER | FEDERSCHEIBE |
| | 3 | 1.19686 | SUPPORTO ALBERO CARDANICO | SUPPORT | SOPORTE | SUPPORT | HALTERUNG |
| | 4 | 1.32602 | TRAVE PIATTAFORMA | RAIDISSEUR | REFUERZO | STIFFENING | QUERRAHMEN |
| | 5 | 1.32666 | STAFFA DI AGGANCIAMENTO D. | ETRIER | ABRAZADERA | BRACKET | HALTERRAHMEN |
| | 6 | 650.612 | DADO | ECROU | TUERCA | NUT | MUTTER |
| | 7 | 355.30830 | RONDELLA | RONDELLE | ARANDELA | WASHER | SCHEIBE |
| | 8 | 626.1220 | VITE | VIS | TORNILLO | SCREW | SCHRAUBE |
| | 9 | 616.1238 | VITE | VIS | TORNILLO | SCREW | SCHRAUBE |
| | 10 | 1.32665 | STAFFA DI AGGANCIAMENTO | ETRIER | ABRAZADERA | BRACKET | HALTERRAHMEN |
| | 11 | 621.1016 | VITE | VIS | TORNILLO | SCREW | SCHRAUBE |
| | 12 | 355.11030 | RONDELLA | RONDELLE | ARANDELA | WASHER | SCHEIBE |
| | 13 | 354.110 | ROSETTA ELASTICA | RONDELLE W | ARANDELA ELASTICA | SPRING WASHER | FEDERSCHEIBE |
| | 14 | 650.110 | DADO | ECROU | TUERCA | NUT | MUTTER |
| | 15 | 1.14619 | MENSOLA SUPPORTO ESTERNO | SUPPORT | SOPORTE | SUPPORT | HALTERUNG |
| | 16 | 621.1014 | VITE | VIS | TORNILLO | SCREW | SCHRAUBE |
| | 17 | 621.1018 | VITE | VIS | TORNILLO | SCREW | SCHRAUBE |
| | 18 | 355.01120 | RONDELLA | RONDELLE | ARANDELA | WASHER | SCHEIBE |
| | 19 | 1.32571 | TELAIO PIATTAFORMA | CHASSIS PLATEFORME | BASTIDOR PLATAFORMA | CUTTING TABLE FRAME | MAEHTISCHRAHMEN |
| | 20 | 339.206 | VITE AUTOFILETTANTE | VIS | TORNILLO | SCREW | SCHRAUBE |
| | 21 | 650.108 | DADO | ECROU | TUERCA | NUT | MUTTER |
| | 22 | 342.511 | VITE SPECIALE | VIS SPECIAL | TORNILLO ESPECIAL | SPECIAL SCREW | SPEZIALSCHRAUBE |
| | 23 | 354.108 | ROSETTA ELASTICA | RONDELLE W | ARANDELA ELASTICA | SPRING WASHER | FEDERSCHEIBE |

| MODIF. | RIF. | N° ORDIN. | QUANT. | NOTE |
|--------|------|-----------|--------|------|
| | 1 | 355.11010 | 1 | |
| | 2 | 354.112 | 16 | |
| | 3 | 1.19686 | 1 | |
| | 4 | 1.32601 | 1 | |
| | 5 | 1.32666 | 1 | |
| | 6 | 650.612 | 16 | |
| | 7 | 355.30830 | 22 | |
| | 8 | 626.1220 | 10 | |
| | 9 | 616.1238 | 6 | |
| | 10 | 1.32665 | 1 | |
| | 11 | 621.1016 | 1 | |
| | 12 | 355.11030 | 5 | |
| | 13 | 354.110 | 14 | |
| | 14 | 650.110 | 12 | |
| | 15 | 1.14619 | 1 | |
| | 16 | 621.1014 | 6 | |
| | 17 | 621.1018 | 11 | |
| | 18 | 355.01120 | 6 | |
| | 19 | 1.32570 | 1 | |
| | 20 | 339.206 | 2 | |
| | 21 | 650.108 | 1 | |
| | 22 | 342.511 | 1 | |
| | 23 | 354.108 | 1 | |
| | | | 1 | |



C 600

2/1983

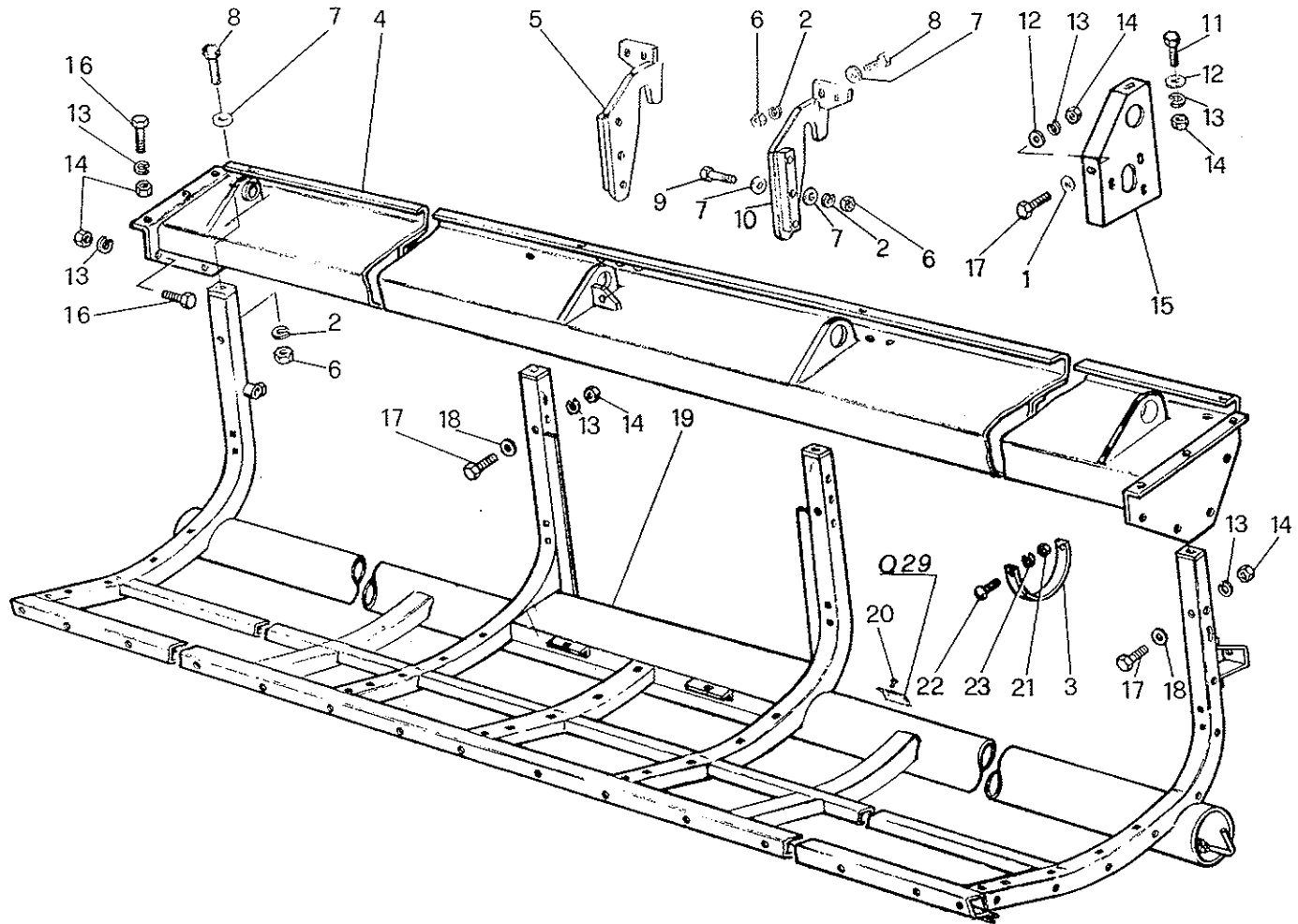
TELAIO PIATTAFORMA
 CHASSIS PLATEFORME
 BASTIDOR PLATAFORMA
 CUTTER BAR TABLE FRAME
 MAEHTISCHRAHMEN

Q5G

5F750A16

| MODIF. | RIF. | N° ORDIN. | DENOMINAZIONE | DESIGNATION | DENOMINACIONES | DESCRIPTION | BENENNUNG |
|--------|------|-----------|----------------------------|--------------------|---------------------|---------------------|-----------------|
| | 1 | 355.11010 | RONDELLA | RONDELLE | ARANDELA | WASHER | SCHEIBE |
| | 2 | 354.112 | ROSETTA ELASTICA | RONDELLE W | ARANDELA ELASTICA | SPRING WASHER | FEDERSCHEIBE |
| | 3 | 1.19686 | SUPPORTO ALBERO CARDANICO | SUPPORT | SOPORTE | SUPPORT | HALTERUNG |
| | 4 | 1.32601 | TRAVE PIATTAFORMA | RAIDISSEUR | REFUERZO | STIFFENING | QUERRAHMEN |
| | 5 | 1.32666 | STAFFA DI AGGANCIAMENTO D. | ETRIER | ABRAZADERA | BRACKET | HALTERRAHMEN |
| | 6 | 650.612 | DADO | ECROU | TUERCA | NUT | MUTTER |
| | 7 | 355.30830 | RONDELLA | RONDELLE | ARANDELA | WASHER | SCHEIBE |
| | 8 | 626.1220 | VITE | VIS | TORNILLO | SCREW | SCHRAUBE |
| | 9 | 616.1238 | VITE | VIS | TORNILLO | SCREW | SCHRAUBE |
| | 10 | 1.32665 | STAFFA DI AGGANCIAMENTO | ETRIER | ABRAZADERA | BRACKET | HALTERRAHMEN |
| | 11 | 621.1016 | VITE | VIS | TORNILLO | SCREW | SCHRAUBE |
| | 12 | 355.11030 | RONDELLA | RONDELLE | ARANDELA | WASHER | SCHEIBE |
| | 13 | 354.110 | ROSETTA ELASTICA | RONDELLE W | ARANDELA ELASTICA | SPRING WASHER | FEDERSCHEIBE |
| | 14 | 650.110 | DADO | ECROU | TUERCA | NUT | MUTTER |
| | 15 | 1.14619 | MENSOLA SUPPORTO ESTERNO | SUPPORT | SOPORTE | SUPPORT | HALTERUNG |
| | 16 | 621.1014 | VITE | VIS | TORNILLO | SCREW | SCHRAUBE |
| | 17 | 621.1018 | VITE | VIS | TORNILLO | SCREW | SCHRAUBE |
| | 18 | 355.01120 | RONDELLA | RONDELLE | ARANDELA | WASHER | SCHEIBE |
| | 19 | 1.32570 | TELAIO PIATTAFORMA | CHASSIS PLATEFORME | BASTIDOR PLATAFORMA | CUTTING TABLE FRAME | MAEHTISCHRAHMEN |
| | 20 | 339.206 | VITE AUTOFILETTANTE | VIS | TORNILLO | SCREW | SCHRAUBE |
| | 21 | 650.108 | DADO | ECROU | TUERCA | NUT | MUTTER |
| | 22 | 342.511 | VITE SPECIALE | VIS SPECIAL | TORNILLO ESPECIAL | SPECIAL SCREW | SPEZIALSCHRAUBE |
| | 23 | 354.108 | ROSETTA ELASTICA | RONDELLE W | ARANDELA ELASTICA | SPRING WASHER | FEDERSCHEIBE |

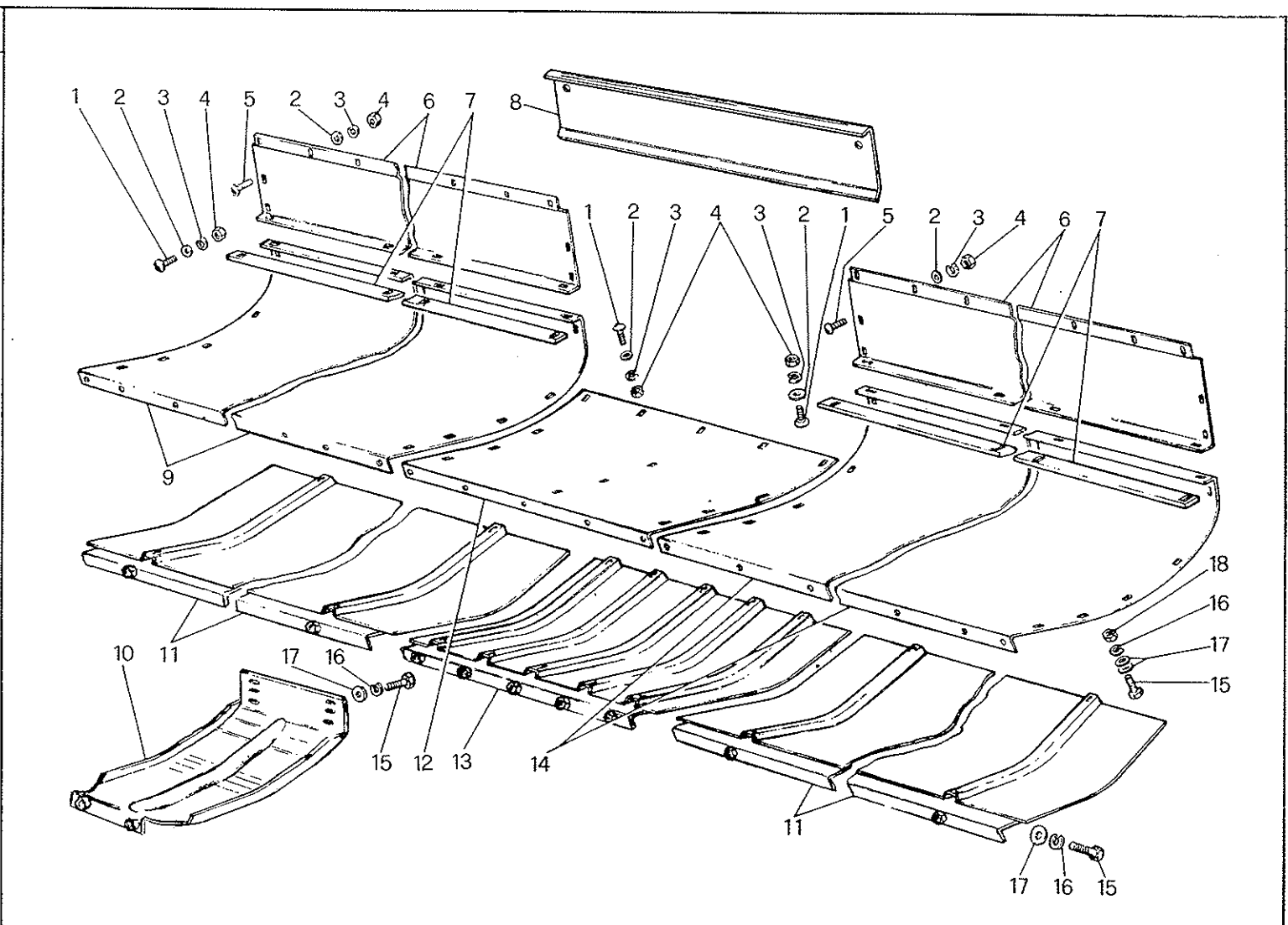
| MODIF. | RIF. | N° ORDIN. | QUANT. | NOTE |
|--------|------|-----------|--------|------|
| | 1 | 355.11010 | 1 | |
| | 2 | 354.112 | 17 | |
| | 3 | 1.19686 | 1 | |
| | 4 | 1.35665 | 1 | |
| | 5 | 1.32666 | 1 | |
| | 6 | 650.612 | 17 | |
| | 7 | 355.30830 | 23 | |
| | 8 | 626.1220 | 11 | |
| | 9 | 616.1238 | 6 | |
| | 10 | 1.32665 | 1 | |
| | 11 | 621.1016 | 1 | |
| | 12 | 355.11030 | 5 | |
| | 13 | 354.110 | 15 | |
| | 14 | 650.110 | 13 | |
| | 15 | 1.14619 | 1 | |
| | 16 | 621.1014 | 6 | |
| | 17 | 621.1018 | 12 | |
| | 18 | 355.01120 | 7 | |
| | 19 | 1.35664 | 1 | |
| | 20 | 339.206 | 2 | |
| | 21 | 479.000 | 1 | |
| | 22 | 342.511 | 1 | |
| | 23 | 354.108 | 1 | |
| | 24 | 650.108 | 1 | |



| | | |
|--------------|--------------------------------------------------------------------------------------------------------------|--------------|
| C 660 | TELAIO PIATTAFORMA CHASSIS PLATEFORME BASTIDOR PLATAFORMA CUTTER BAR TABLE FRAME MAEHTISCHRAHMEN | Q 5 H |
| | 2/1983 | 5F750A18 |

| MODIF. | RIF. | N° ORDIN. | DENOMINAZIONE | DESIGNATION | DENOMINACIONES | DESCRIPTION | BENENNUNG |
|--------|------|-----------|----------------------------|--------------------|---------------------|---------------------|-----------------|
| | 1 | 355.11010 | RONDELLA | RONDELLE | ARANDELA | WASHER | SCHEIBE |
| | 2 | 354.112 | ROSETTA ELASTICA | RONDELLE W | ARANDELA ELASTICA | SPRING WASHER | FEDERSCHEIBE |
| | 3 | 1.19686 | SUPPORTO ALBERO CARDANICO | SUPPORT | SOPORTE | SUPPORT | HALTERUNG |
| | 4 | 1.35665 | TRAVE PIATTAFORMA | RAIDISSEUR | REFUERZO | STIFFENING | QUERRAHMEN |
| | 5 | 1.32666 | STAFFA DI AGGANCIAMENTO D. | ETRIER | ABRAZADERA | BRACKET | HALTERRAHMEN |
| | 6 | 650.612 | DADO | ECROU | TUERCA | NUT | MUTTER |
| | 7 | 355.30830 | RONDELLA | RONDELLE | ARANDELA | WASHER | SCHEIBE |
| | 8 | 626.1220 | VITE | VIS | TORNILLO | SCREW | SCHRAUBE |
| | 9 | 616.1238 | VITE | VIS | TORNILLO | SCREW | SCHRAUBE |
| | 10 | 1.32665 | STAFFA DI AGGANCIAMENTO | ETRIER | ABRAZADERA | BRACKET | HALTERRAHMEN |
| | 11 | 621.1016 | VITE | VIS | TORNILLO | SCREW | SCHRAUBE |
| | 12 | 355.11030 | RONDELLA | RONDELLE | ARANDELA | WASHER | SCHEIBE |
| | 13 | 354.110 | ROSETTA ELASTICA | RONDELLE W | ARANDELA ELASTICA | SPRING WASHER | FEDERSCHEIBE |
| | 14 | 650.110 | DADO | ECROU | TUERCA | NUT | MUTTER |
| | 15 | 1.14619 | MENSOLA SUPPORTO ESTERNO | SUPPORT | SOPORTE | SUPPORT | HALTERUNG |
| | 16 | 621.1014 | VITE | VIS | TORNILLO | SCREW | SCHRAUBE |
| | 17 | 621.1018 | VITE | VIS | TORNILLO | SCREW | SCHRAUBE |
| | 18 | 355.01120 | RONDELLA | RONDELLE | ARANDELA | WASHER | SCHEIBE |
| | 19 | 1.35664 | TELAIO PIATTAFORMA | CHASSIS PLATEFORME | BASTIDOR PLATAFORMA | CUTTING TABLE FRAME | MAEHTISCHRAHMEN |
| | 20 | 339.206 | VITE AUTOFILETTANTE | VIS | TORNILLO | SCREW | SCHRAUBE |
| | 21 | 479.000 | TARGHETTA | PLAQUE CONSTRUCT. | PLACA IDENTIF. | NUMBER PLATE | FABRIKSCHILD |
| | 22 | 342.511 | VITE SPECIALE | VIS SPECIAL | TORNILLO ESPECIAL | SPECIAL SCREW | SPEZIALSCHRAUBE |
| | 23 | 354.108 | ROSETTA ELASTICA | RONDELLE W | ARANDELA ELASTICA | SPRING WASHER | FEDERSCHEIBE |
| | 24 | 650.108 | DADO | ECROU | TUERCA | NUT | MUTTER |

| MODIF. | RIF. | N° ORDIN. | QUANT. | NOTE |
|--------|------|-----------|--------|------|
| | 1 | 342.510 | 43 | |
| | 2 | 355.00915 | 47 | |
| | 3 | 354.108 | 47 | |
| | 4 | 650.108 | 47 | |
| | 5 | 342.511 | 4 | |
| | 6 | 1.14744 | 2 | |
| | 7 | 1.14562 | 2 | |
| | 8 | 1.15811 | 1 | |
| | 9 | 1.25795 | 1 | |
| | 10 | 1.32596 | 2 | |
| | 11 | 1.25793 | 2 | |
| | 12 | 1.31646 | 1 | |
| | 13 | 1.31647 | 1 | |
| | 14 | 1.25795 | 1 | |
| | 15 | 621.1018 | 26 | |
| | 16 | 354.110 | 26 | |
| | 17 | 355.11030 | 35 | |
| | 18 | 650.110 | 9 | |



C 310

2/1983

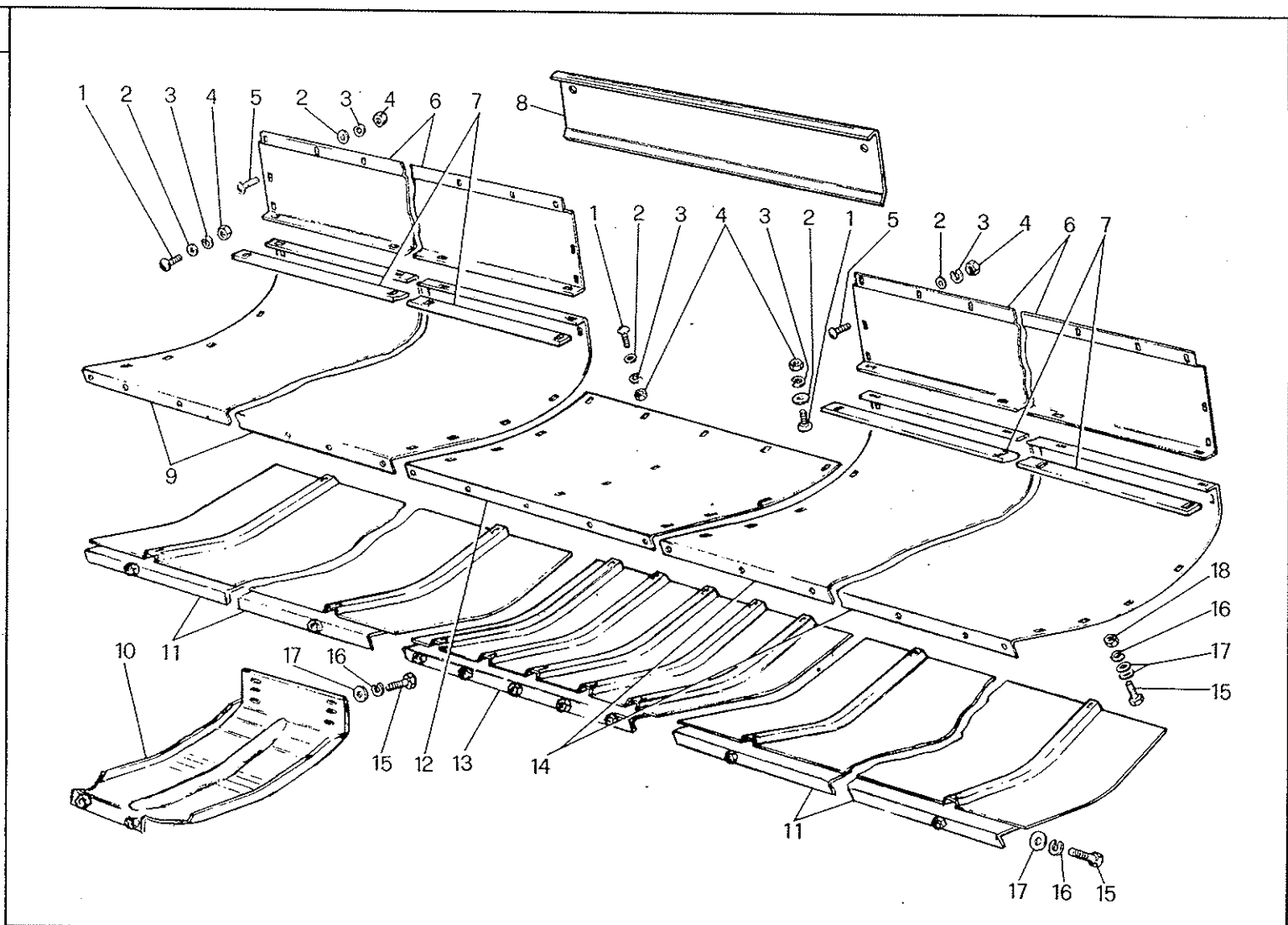
PIATTAFORMA
 PLATEFORME
 PLATAFORMA
 CUTTER BAR TABLE
 MAEHTISCH

Q 6 A

5F750A04

| MODE | RIE | N° ORDIN. | DENOMINAZIONE | DESIGNATION | DENOMINACIONES | DESCRIPTION | BENENNUNG |
|------|-----|-----------|-----------------------|------------------|-------------------|-------------------|-----------------|
| | 1 | 342.510 | VITE SPECIALE | VIS SPECIAL | TORNILLO ESPECIAL | SPECIAL SCREW | SPEZIALSCHRAUBE |
| | 2 | 355.00915 | RONDELLA | RONDELLE | ARANDELA | WASHER | SCHEIBE |
| | 3 | 354.108 | ROSETTA ELASTICA | RONDELLE W | ARANDELA ELASTICA | SPRING WASHER | FEDERSCHEIBE |
| | 4 | 650.108 | DADO | ECROU | TUERCA | NUT | MUTTER |
| | 5 | 342.511 | VITE SPECIALE | VIS SPECIAL | TORNILLO ESPECIAL | SPECIALSCREW | SPEZIALSCHRAUBE |
| | 6 | 1.14744 | LAMIERA SUPERIORE | TOLE | CHAPA | PLATE | LEITBLECH |
| | 7 | 1.14562 | LAMA RASAMENTO | LAME D'ARASEMENT | CHAPA DE ROCE | ANTI-WRAP PLATE | REIBPLATTE |
| | 8 | 1.15811 | LAMA RITEGNO GRANELLA | TOLE ARRET GRAIN | CHAPA FRENI GRANO | GRAIN STOP PLATE | LEITBLECH |
| | 9 | 1.25795 | LAMIERA INFERIORE D. | TOLE INF. D. | CHAPA INF. DE. | LOWER PLATE, R.H. | UNTERBLECH R. |
| | 10 | 1.32596 | SLITTA REGOLABILE | PATIN | PATIN | PLATE | GLEITKUFE |
| | 11 | 1.25793 | SLITTA LATERALE | PATIN | PATIN | PLATE | GLEITKUFE |
| | 12 | 1.31646 | LAMIERA CENTRALE | TOLE | CHAPA | PLATE | BLECH |
| | 13 | 1.31647 | SLITTA CENTRALE | PATIN CENTRAL | PATIN CENTRAL | CENTRAL PLATE | GLEITKUFE |
| | 14 | 1.25795 | LAMIERA INFERIORE S. | TOLE INF. G. | CHAPA INF. IZ. | LOWER PLATE, L.H. | UNTERBLECH L. |
| | 15 | 621.1018 | VITE | VIS | TORNILLO | SCREW | SCHRAUBE |
| | 16 | 354.110 | ROSETTA ELASTICA | RONDELLE W | ARANDELA ELASTICA | SPRING WASHER | FEDERSCHEIBE |
| | 17 | 355.1030 | RONDELLA | RONDELLE | ARANDELA | WASHER | SCHEIBE |
| | 18 | 650.110 | DADO | ECROU | TUERCA | NUT | MUTTER |

| MODIF. | RIF. | N° ORDIN. | QUANT. | NOTE |
|--------|------|-----------|--------|------|
| | 1 | 342.510 | 43 | |
| | 2 | 355.00915 | 47 | |
| | 3 | 354.108 | 47 | |
| | 4 | 650.108 | 47 | |
| | 5 | 342.511 | 4 | |
| | 6 | 1.14554 | 2 | |
| | 7 | 1.14561 | 2 | |
| | 8 | 1.15811 | 1 | |
| | 9 | 1.31949 | 1 | |
| | 10 | 1.32596 | 2 | |
| | 11 | 1.31952 | 2 | |
| | 12 | 1.31646 | 1 | |
| | 13 | 1.31647 | 1 | |
| | 14 | 1.31950 | 1 | |
| | 15 | 621.1018 | 26 | |
| | 16 | 354.110 | 26 | |
| | 17 | 355.11030 | 35 | |
| | 18 | 650.110 | 9 | |



C 360

2/1983

PIATTAFORMA
 PLATEFORME
 PLATAFORMA
 CUTTER BAR TABLE
 MAEHTISCH

Q 6 B

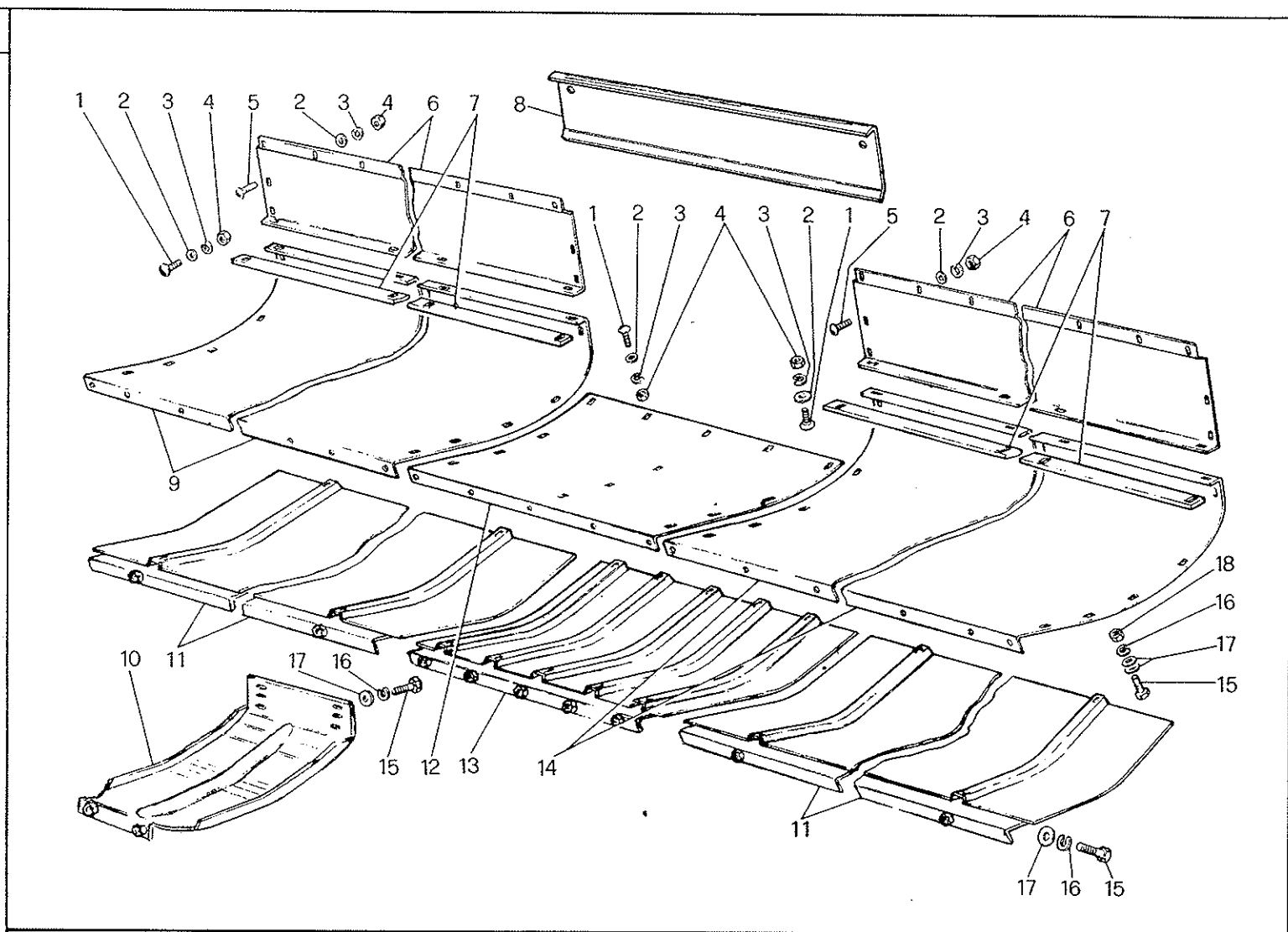
5F750A06

Q6B

LAYERDA

| MODIF. | RIF. | N° ORDIN. | DENOMINAZIONE | DESIGNATION | DENOMINACIONES | DESCRIPTION | BENENNUNG |
|--------|------|-----------|-----------------------|------------------|-------------------|-------------------|------------------|
| | 1 | 342.510 | VITE SPECIALE | VIS SPECIAL | TORNILLO ESPECIAL | SPECIAL SCREW | SPEZIALSCHRAUBE |
| | 2 | 355.00915 | RONDELLA | RONDELLE | ARANDELA | WASHER | SCHEIBE |
| | 3 | 354.108 | ROSETTA ELASTICA | RONDELLE W | ARANDELA ELASTICA | SPRING WASHER | FEDERSCHEIBE |
| | 4 | 650.108 | DADO | ECROU | TUERCA | NUT | MUTTER |
| | 5 | 342.511 | VITE SPECIALE | VIS SPECIAL | TORNILLO ESPECIAL | SPECIAL SCREW | SPEZIALSCHRAUBE |
| | 6 | 1.14554 | LAMIERA SUPERIORE | TOLE | CHAPA | PLATE | LEITBLECH |
| | 7 | 1.14561 | LAMA RASAMENTO | LAME D'ARASAMENT | CHAPA DE ROCE | ANTI-WRAP PLATE | REIBPLATTE |
| | 8 | 1.15811 | LAMA RITEGNO GRANELLA | TOLE ARRET GRAIN | CHAPA FRENO GRANO | GRAIN STOP PLATE | LEITBLECH |
| | 9 | 1.31949 | LAMIERA INFERIORE D. | TOLE INF. D. | CHAPA INF. DE. | LOWER PLATE, R.H. | WINDLEITBLECH R. |
| | 10 | 1.32596 | SLITTA REGOLABILE | PATIN | PATIN | PLATE | GLEITKUFE |
| | 11 | 1.31952 | SLITTA LATERALE | PATIN | PATIN | PLATE | GLEITKUFE |
| | 12 | 1.31646 | LAMIERA CENTRALE | TOLE | CHAPA | PLATE | LEITBLECH |
| | 13 | 1.31647 | SLITTA CENTRALE | PATIN CENTRAL | PATIN CENTRAL | CENTRAL PLATE | GLEITKUFE |
| | 14 | 1.31950 | LAMIERA INFERIORE S. | TOLE INF. G. | CHAPA INF. IZ. | LOWER PLATE, L.H. | WINDLEITBLECH L. |
| | 15 | 621.1018 | VITE | VIS | TORNILLO | SCREW | SCHRAUBE |
| | 16 | 354.110 | ROSETTA ELASTICA | RONDELLE W | ARANDELA ELASTICA | SPRING WASHER | FEDERSCHEIBE |
| | 17 | 355.11030 | RONDELLA | RONDELLE | ARANDELA | WASHER | SCHEIBE |
| | 18 | 650.110 | DADO | ECROU | TUERCA | NUT | MUTTER |

| MODIF. | RIF. | N° ORDIN. | QUANT. | NOTE |
|--------|------|-----------|--------|------|
| | 1 | 342.510 | 45 | |
| | 2 | 355.00915 | 51 | |
| | 3 | 354.108 | 51 | |
| | 4 | 650.108 | 51 | |
| | 5 | 342.511 | 6 | |
| | 6 | 1.14745 | 2 | |
| | 7 | 1.14563 | 2 | |
| | 8 | 1.15811 | 1 | |
| | 9 | 1.31644 | 1 | |
| | 10 | 1.32596 | 2 | |
| | 11 | 1.31648 | 2 | |
| | 12 | 1.31646 | 1 | |
| | 13 | 1.31647 | 1 | |
| | 14 | 1.31645 | 1 | |
| | 15 | 621.1018 | 30 | |
| | 16 | 354.110 | 30 | |
| | 17 | 355.11030 | 41 | |
| | 18 | 650.110 | 11 | |



- = ESCLUSO 3350 AL
- = EXCLUDED 3350 AL
- = EXCLUIDO 3350 AL
- = EXCLUDED 3350 AL
- = OHNE 3350 AL

C 420

2/1983

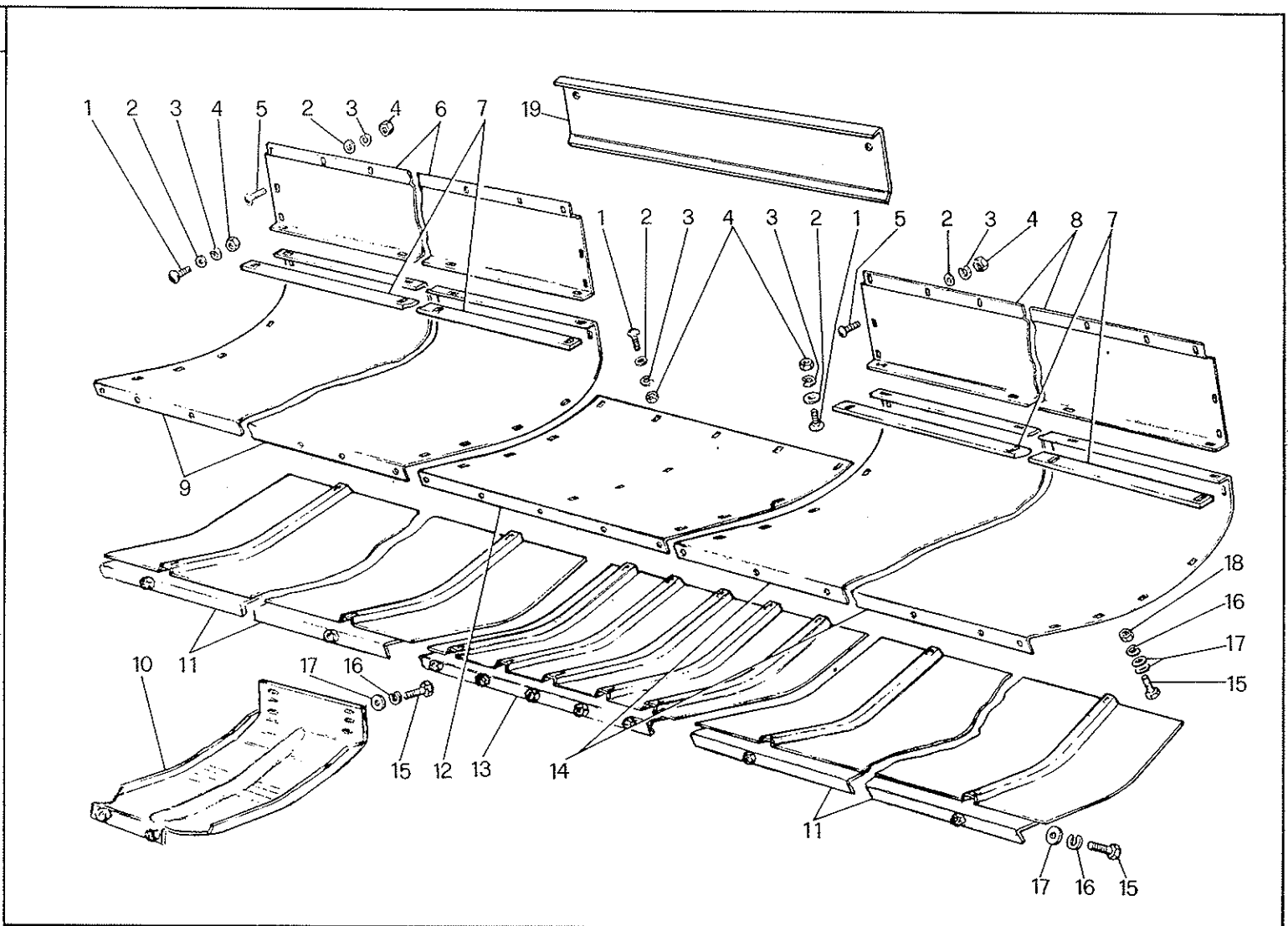
PIATTAFORMA
 PLATEFORME
 PLATAFORMA
 CUTTER BAR TABLE
 MAEHTISCH

Q6D

5F750A10

| MODIF. | RIF. | N° ORDIN. | DENOMINAZIONE | DESIGNATION | DENOMINACIONES | DESCRIPTION | BENENNUNG |
|--------|------|-----------|-----------------------|------------------|-------------------|-------------------|------------------|
| | 1 | 342.510 | VITE SPECIALE | VIS SPECIAL | TORNILLO ESPECIAL | SPECIAL SCREW | SPEZIALSCHRAUBE |
| | 2 | 355.00915 | RONDELLA | RONDELLE | ARANDELA | WASHER | SCHEIBE |
| | 3 | 354.108 | ROSETTA ELASTICA | RONDELLE W | ARANDELA ELASTICA | SPRING WASHER | FEDERSCHEIBE |
| | 4 | 650.108 | DADO | ECROU | TUERCA | NUT | MUTTER |
| | 5 | 342.511 | VITE SPECIALE | VIS SPECIAL | TORNILLO ESPECIAL | SPECIAL SCREW | SPEZIALSCHRAUBE |
| | 6 | 1.14745 | LAMIERA SUPERIORE | TOLE | CHAPA | PLATE | LEITBLECH |
| | 7 | 1.14563 | LAMA RASAMENTO | LAME D'ARASAMENT | CHAPA DE ROCE | ANTI-WRAP PLATE | REIBPLATTE |
| | 8 | 1.15811 | LAMA RITEGNO GRANELLA | TOLE ARRET GRAIN | CHAPA FRENO GRANO | GRAIN STOP PLATE | LEITBLECH |
| | 9 | 1.31644 | LAMIERA INFERIORE D. | TOLE INF. D. | CHAPA INF. DE. | LOWER PLATE, R.H. | WINDLEITBLECH R. |
| | 10 | 1.32596 | SLITTA REGOLABILE | PATIN | PATIN | PLATE | GLEITKUFE |
| | 11 | 1.31648 | SLITTA LATERALE | PATIN | PATIN | PLATE | GLEITKUFE |
| | 12 | 1.31646 | LAMIERA CENTRALE | TOLE | CHAPA | PLATE | LEITBLECH |
| | 13 | 1.31647 | SLITTA CENTRALE | PATIN | PATIN | PLATE | GLEITKUFE |
| | 14 | 1.31645 | LAMIERA INFERIORE S. | TOLE INF. G. | CHAPA INF. IZ. | LOWER PLATE, L.H. | WINDLEITBLECH L. |
| | 15 | 621.1018 | VITE | VIS | TORNILLO | SCREW | SCHRAUBE |
| | 16 | 354.110 | ROSETTA ELASTICA | RONDELLE W | ARANDELA ELASTICA | SPRING WASHER | FEDERSCHEIBE |
| | 17 | 355.11030 | RONDELLA | RONDELLE | ARANDELA | WASHER | SCHEIBE |
| | 18 | 650.110 | DADO | ECROU | TUERCA | NUT | MUTTER |

| MODIF. | RIF. | N° ORDIN. | QUANT. | NOTE |
|--------|------|-----------|--------|------|
| | 1 | 342.510 | 49 | |
| | 2 | 355.00915 | 57 | |
| | 3 | 354.108 | 57 | |
| | 4 | 650.108 | 57 | |
| | 5 | 342.511 | 8 | |
| | 6 | 1.32584 | 1 | |
| | 7 | 1.32589 | 2 | |
| | 8 | 1.32585 | 1 | |
| | 9 | 1.32579 | 1 | |
| | 10 | 1.32596 | 4 | |
| | 11 | 1.34999 | 2 | |
| | 12 | 1.32594 | 1 | |
| | 13 | 1.32597 | 1 | |
| | 14 | 1.32580 | 1 | |
| | 15 | 621.1018 | 40 | |
| | 16 | 354.110 | 40 | |
| | 17 | 355.11030 | 52 | |
| | 18 | 650.110 | 12 | |
| | •19 | 1.15811 | 1 | |



- = ESCLUSO 3350 AL - 3900
- = EXCLUDED 3350 AL - 3900
- = EXCLUIDO 3350 AL - 3900
- = EXCLUDED 3350 AL - 3900
- = OHNE 3350 AL - 3900

C 480

PIATTAFORMA
 PLATEFORME
 PLATAFORMA
 CUTTER BAR TABLE
 MAEHTISCH

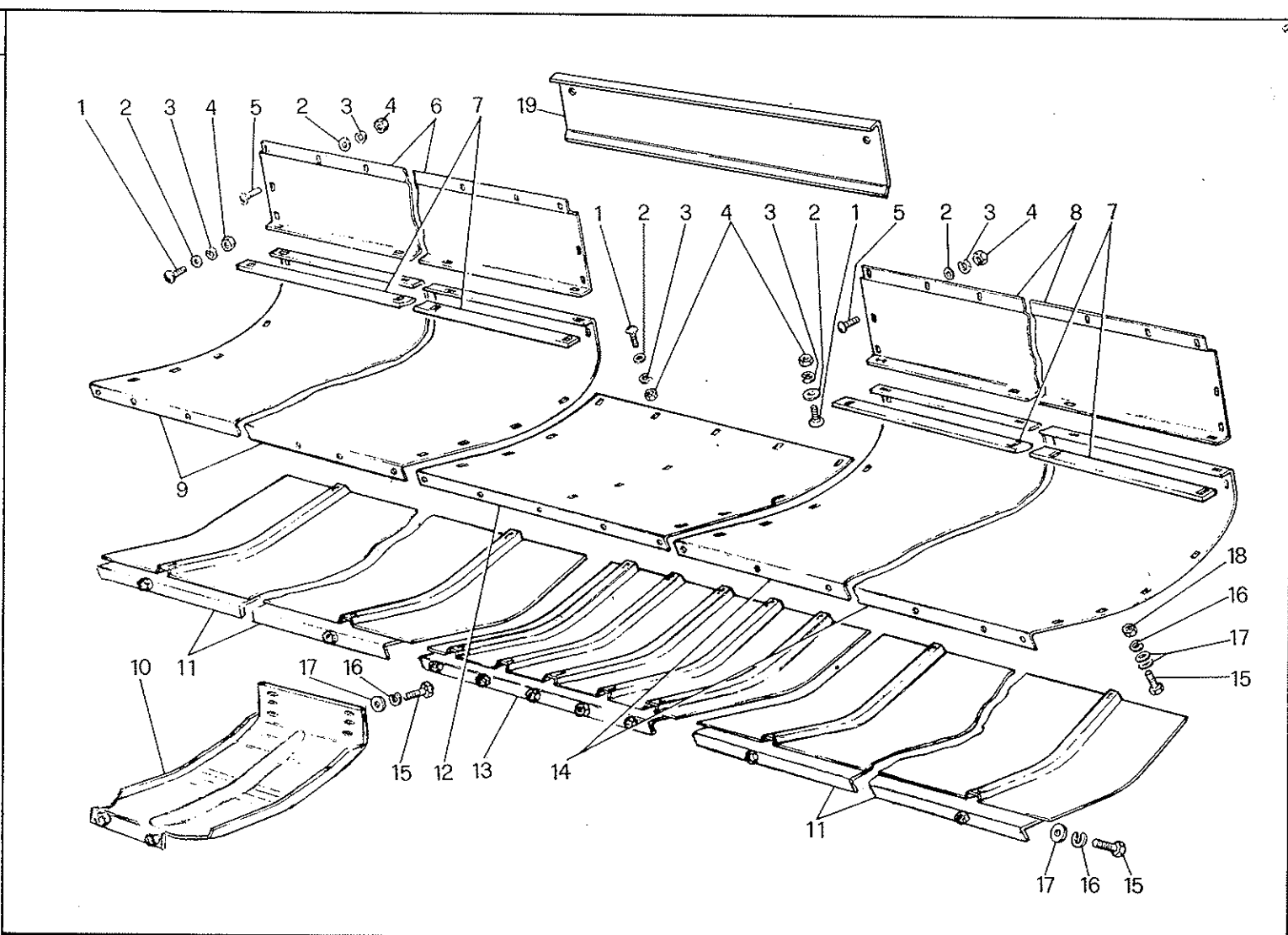
2/1983

Q 6 E

5F750A12

| MODIF. | RIF. | N° ORDIN. | DENOMINAZIONE | DESIGNATION | DENOMINACIONES | DESCRIPTION | BENENNUNG |
|--------|------|-----------|--------------------------|------------------|-------------------|------------------|-----------------|
| | 1 | 342.510 | VITE SPECIALE | VIS SPECIAL | TORNILLO ESPECIAL | SPECIAL SCREW | SPEZIALSCHRAUBE |
| | 2 | 355.00915 | RONDELLA | RONDELLE | ARANDELA | WASHER | SCHEIBE |
| | 3 | 354.108 | ROSETTA ELASTICA | RONDELLE W | ARANDELA ELASTICA | SPRING WASHER | FEDERSCHEIBE |
| | 4 | 650.108 | DADO | ECROU | TUERCA | NUT | MUTTER |
| | 5 | 342.511 | VITE SPECIALE | VIS SPECIAL | TORNILLO ESPECIAL | SPECIAL SCREW | SPEZIALSCHRAUBE |
| | 6 | 1.32584 | LAMIERA SUPERIORE D. | TOLE | CHAPA | PLATE | LEITBLECH |
| | 7 | 1.32589 | LAMA RASAMENTO D. | LAME D'ARASAMENT | CHAPA DE ROCE | ANTI-WRAP PLATE | REIBPLATTE |
| | 8 | 1.32585 | LAMIERA SUPERIORE S. | TOLE | CHAPA | PLATE | LEITBLECH |
| | 9 | 1.32579 | LAMIERA INFERIORE D. | TOLE | CHAPA | PLATE | LEITBLECH |
| | 10 | 1.32596 | SLITTA REGOLABILE | PATIN | PATIN | PLATE | GLEITKUFE |
| | 11 | 1.34999 | SLITTA LATERALE | PATIN | PATIN | PLATE | GLEITKUFE |
| | 12 | 1.32594 | LAMIERA CENTRALE | TOLE | CHAPA | PLATE | LEITBLECH |
| | 13 | 1.32597 | SLITTA CENTRALE | PATIN | PATIN | PLATE | GLEITKUFE |
| | 14 | 1.32580 | LAMIERA INFERIORE S. | TOLE | CHAPA | PLATE | LEITBLECH |
| | 15 | 621.1018 | VITE | VIS | TORNILLO | SCREW | SCHRAUBE |
| | 16 | 354.110 | ROSETTA ELASTICA | RONDELLE W | ARANDELA ELASTICA | SPRING WASHER | FEDERSCHEIBE |
| | 17 | 355.11030 | RONDELLA | RONDELLE | ARANDELA | WASHER | SCHEIBE |
| | 18 | 650.110 | DADO | ECROU | TUERCA | NUT | MUTTER |
| | 19 | 1.15811 | LAMIERA RITEGNO GRANELLA | TOLE ARRET GRAIN | CHAPA FRENO GRANO | GRAIN STOP PLATE | LEITBLECH |

| MODIF. | RIF. | N° ORDIN. | QUANT. | NOTE |
|--------|------|-----------|--------|------|
| | 1 | 342.510 | 65 | |
| | 2 | 355.00915 | 79 | |
| | 3 | 354.108 | 79 | |
| | 4 | 650.108 | 79 | |
| | 5 | 342.511 | 14 | |
| | 6 | 1.32587 | 1 | |
| | 7 | 1.32590 | 2 | |
| | 8 | 1.32587 | 1 | |
| | 9 | 1.32581 | 1 | |
| | 10 | 1.32596 | 4 | |
| | 11 | 1.34391 | 2 | |
| | 12 | 1.32594 | 1 | |
| | 13 | 1.32597 | 1 | |
| | 14 | 1.32582 | 1 | |
| | 15 | 621.1018 | 44 | |
| | 16 | 354.110 | 44 | |
| | 17 | 355.11030 | 58 | |
| | 18 | 650.110 | 14 | |
| | •19 | 1.15811 | 1 | |



- = ESCLUSO 3900
- = EXCLUDED 3900
- = EXCLUIDO 3900
- = EXCLUDED 3900
- = OHNE 3900

C 540

PIATTAFORMA
 PLATEFORME
 PLATAFORMA
 CUTTER BAR TABLE
 MAEHTISCH

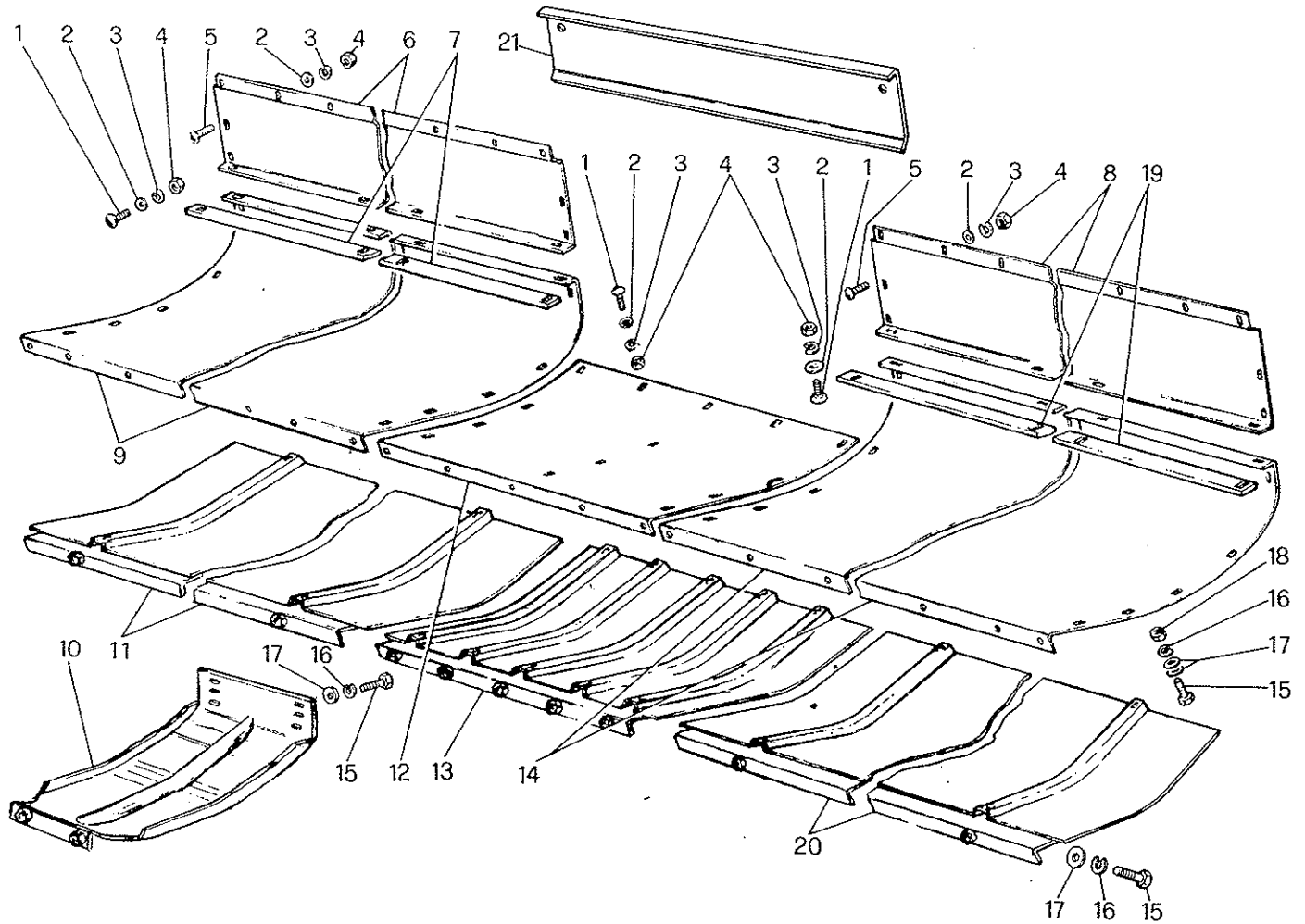
Q 6 F

5F750A14

2/1983

| MODIF. | RIF. | N° ORDIN. | DENOMINAZIONE | DESIGNATION | DENOMINACIONES | DESCRIPTION | BENENNUNG |
|--------|------|-----------|--------------------------|------------------|-------------------|------------------|-----------------|
| | 1 | 342.510 | VITE SPECIALE | VIS SPECIAL | TORNILLO ESPECIAL | SPECIAL SCREW | SPEZIALSCHRAUBE |
| | 2 | 355.00915 | RONDELLA | RONDELLE | ARANDELA | WASHER | SCHEIBE |
| | 3 | 354.108 | ROSETTA ELASTICA | RONDELLE W | ARANDELA ELASTICA | SPRING WASHER | FEDERSCHEIBE |
| | 4 | 650.108 | DADO | ECROU | TUERCA | NUT | MUTTER |
| | 5 | 342.511 | VITE SPECIALE | VIS SPECIAL | TORNILLO ESPECIAL | SPECIAL SCREW | SPEZIALSCHRAUBE |
| | 6 | 1.32587 | LAMIERA SUPERIORE D. | TOLE | CHAPA | PLATE | LEITBLECH |
| | 7 | 1.32590 | LAMA RASAMENTO D. | LAME D'ARASAMENT | CHAPA DE ROCE | ANTI-WRAP PLATE | REIBPLATTE |
| | 8 | 1.32587 | LAMIERA SUPERIORE S. | TOLE | CHAPA | PLATE | LEITBLECH |
| | 9 | 1.32581 | LAMIERA INFERIORE D. | TOLE | CHAPA | PLATE | LEITBLECH |
| | 10 | 1.32596 | SLITTA REGOLABILE | PATIN | PATIN | PLATE | GLEITKUFE |
| | 11 | 1.34391 | SLITTA LATERALE | PATIN | PATIN | PLATE | GLEITKUFE |
| | 12 | 1.32594 | LAMIERA CENTRALE | TOLE | CHAPA | PLATE | LEITBLECH |
| | 13 | 1.32597 | SLITTA CENTRALE | PATIN CENTRAL | PATIN CENTRAL | CENTRAL PLATE | GLEITKUFE |
| | 14 | 1.32582 | LAMIERA INFERIORE S. | TOLE | CHAPA | PLATE | LEITBLECH |
| | 15 | 621.1018 | VITE | VIS | TORNILLO | SCREW | SCHRAUBE |
| | 16 | 354.110 | ROSETTA ELASTICA | RONDELLE W | ARANDELA ELASTICA | SPRING WASHER | FEDERSCHEIBE |
| | 17 | 355.11030 | RONDELLA | RONDELLE | ARANDELA | WASHER | SCHEIBE |
| | 18 | 650.110 | DADO | ECROU | TUERCA | NUT | MUTTER |
| | 19 | 1.15811 | LAMIERA RITEGNO GRANELLA | TOLE ARRET GRAIN | CHAPA FRENO GRANO | GRAIN STOP PLATE | LEITBLECH |

| MODIF. | RIF. | N° ORDIN. | QUANT. | NOTE |
|--------|------|-----------|--------|------|
| | 1 | 342.510 | 67 | |
| | 2 | 355.00915 | 85 | |
| | 3 | 354.108 | 85 | |
| | 4 | 650.108 | 85 | |
| | 5 | 342.511 | 18 | |
| | 6 | 1.32588 | 1 | |
| | 7 | 1.32591 | 1 | |
| | 8 | 1.32587 | 1 | |
| | 9 | 1.32583 | 1 | |
| | 10 | 1.32596 | 4 | |
| | 11 | 1.34424 | 1 | |
| | 12 | 1.32594 | 1 | |
| | 13 | 1.32597 | 1 | |
| | 14 | 1.32582 | 1 | |
| | 15 | 621.1018 | 48 | |
| | 16 | 354.110 | 48 | |
| | 17 | 355.11030 | 64 | |
| | 18 | 650.110 | 16 | |
| | 19 | 1.32590 | 1 | |
| | 20 | 1.34391 | 1 | |
| | •21 | 1.15811 | | |



- = ESCLUSO 3900
- = EXCLUDED 3900
- = EXCLUIDO 3900
- = EXLUDED 3900
- = OHNE 3900

C 600

PIATTAFORMA
 PLATEFORME
 PLATAFORMA
 CUTTER BAR TABLE
 MAEHTISCH

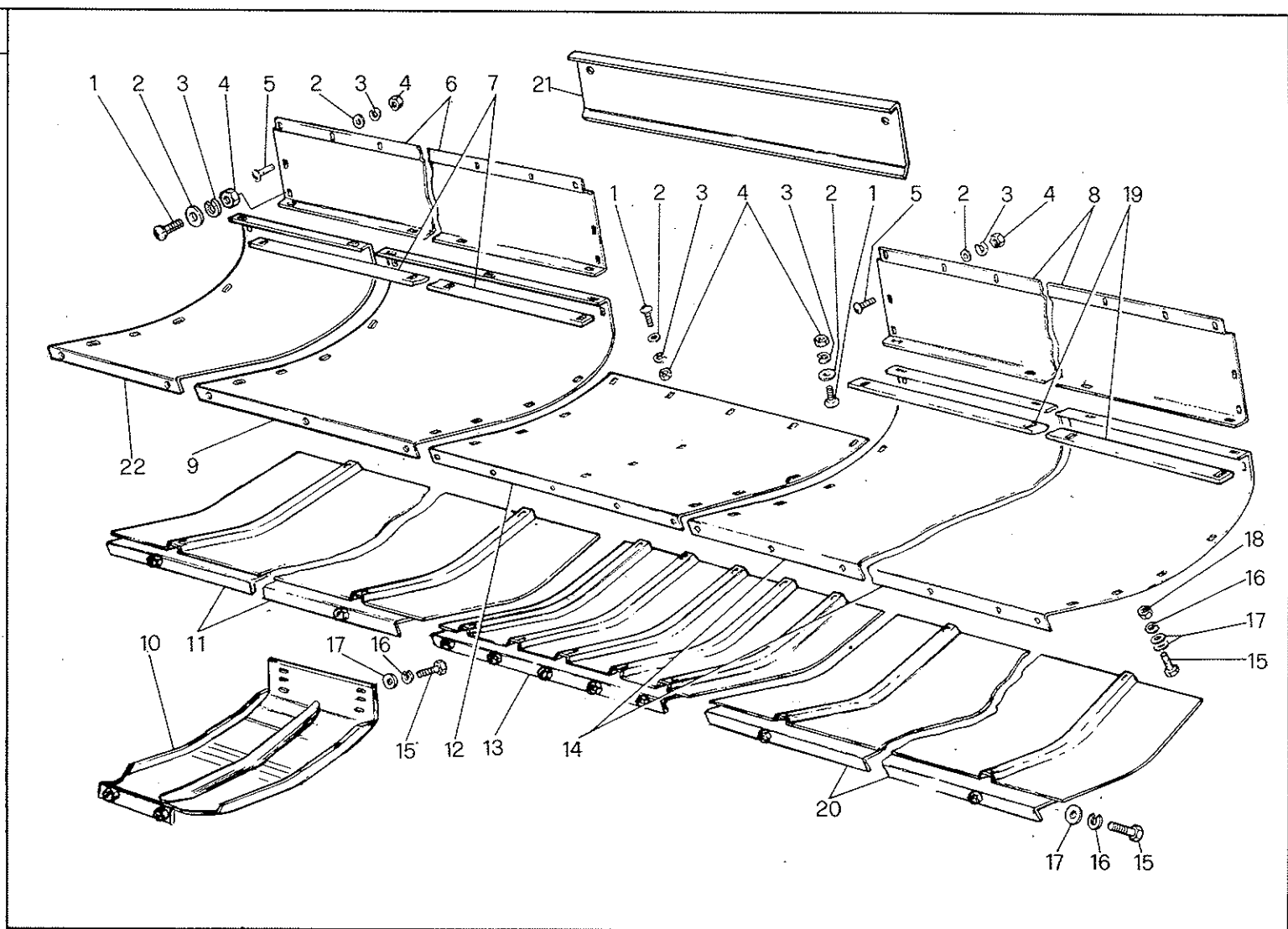
2/1983

Q 6 G

5F750A16

| MODIF. | RIF | N° ORDIN. | DENOMINAZIONE | DESIGNATION | DENOMINACIONES | DESCRIPTION | BENENNUNG |
|--------|-----|-----------|--------------------------|------------------|-------------------|------------------|-----------------|
| | 1 | 342.510 | VITE SPECIALE | VIS SPECIAL | TORNILLO ESPECIAL | SPECIAL SCREW | SPEZIALSCHRAUBE |
| | 2 | 355.00915 | RONDELLA | RONDELLE | ARANDELA | WASHER | SCHEIBE |
| | 3 | 354.108 | ROSETTA ELASTICA | RONDELLE W | ARANDELA ELASTICA | SPRING WASHER | FEDERSCHEIBE |
| | 4 | 650.108 | DADO | ECROU | TUERCA | NUT | MUTTER |
| | 5 | 342.511 | VITE SPECIALE | VIS SPECIAL | TORNILLO ESPECIAL | SPECIAL SCREW | SPEZIALSCHRAUBE |
| | 6 | 1.32588 | LAMIERA SUPERIORE D. | TOLE | CHAPA | PLATE | LEITBLECH |
| | 7 | 1.32591 | LAMA RASAMENTO D. | LAME D'ARASAMENT | CHAPA DE ROCE | ANTI-WRAP PLATE | REIBPLATTE |
| | 8 | 1.32587 | LAMIERA SUPERIORE S. | TOLE | CHAPA | PLATE | LEITBLECH |
| | 9 | 1.32583 | LAMIERA INFERIORE D. | TOLE | CHAPA | PLATE | LEITBLECH |
| | 10 | 1.32596 | SLITTA REGOLABILE | PATIN | PATIN | PLATE | GLEITKUFE |
| | 11 | 1.34424 | SLITTA LATERALE FISSA D. | PATIN | PATIN | PLATE | GLEITKUFE |
| | 12 | 1.32594 | LAMIERA CENTRALE | TOLE | CHAPA | PLATE | LEITBLECH |
| | 13 | 1.32597 | SLITTA CENTRALE | PATIN CENTRAL | PATIN CENTRAL | CENTRAL PLATE | GLEITKUFE |
| | 14 | 1.32582 | LAMIERA INFERIORE S. | TOLE | CHAPA | PLATE | LEITBLECH |
| | 15 | 621.1018 | VITE | VIS | TORNILLO | SCREW | SCHRAUBE |
| | 16 | 354.110 | ROSETTA ELASTICA | RONDELLE W | ARANDELA ELASTICA | SPRING WASHER | FEDERSCHEIBE |
| | 17 | 355.11030 | RONDELLA | RONDELLE | ARANDELA | WASHER | SCHEIBE |
| | 18 | 650.110 | DADO | ECROU | TUERCA | NUT | MUTTER |
| | 19 | 1.32590 | LAMA RASAMENTO S. | LAME D'ARASAMENT | CHAPA DE ROCE | ANTI-WRAP PLATE | REIBPLATTE |
| | 20 | 1.34391 | SLITTA LATERALE S. | PATIN | PATIN | PLATE | GLEITKUFE |
| | 21 | 1.15811 | LAMIERA RITEGNO GRANELLA | TOLE ARRET GRAIN | CHAPA FRENO GRANO | GRAIN STOP PLATE | LEITBLECH |

| MODIF. | RIF. | N° ORDIN. | QUANT. | NOTE |
|--------|------|-----------|--------|------|
| | 1 | 342.510 | 76 | |
| | 2 | 355.00915 | 96 | |
| | 3 | 354.108 | 98 | |
| | 4 | 650.108 | 98 | |
| | 5 | 342.511 | 21 | |
| | 6 | 1.35671 | 1 | |
| | 7 | 1.35675 | 1 | |
| | 8 | 1.35672 | 1 | |
| | 9 | 1.35669 | 1 | |
| | 10 | 1.32596 | 4 | |
| | 11 | 1.35673 | 1 | |
| | 12 | 1.32594 | 1 | |
| | 13 | 1.32597 | 1 | |
| | 14 | 1.35670 | 1 | |
| | 15 | 621.1018 | 64 | |
| | 16 | 354.110 | 42 | |
| | 17 | 355.11030 | 98 | |
| | 18 | 650.110 | 36 | |
| | 19 | 1.35676 | 1 | |
| | 20 | 1.35674 | 1 | |
| | •21 | 1.15811 | 1 | |
| | 22 | 1.35693 | 1 | |



- = ESCLUSO 3900
- = EXCLUDED 3900
- = EXCLUIDO 3900
- = EXCLUDED 3900
- = OHNE 3900

C 660

6/1984

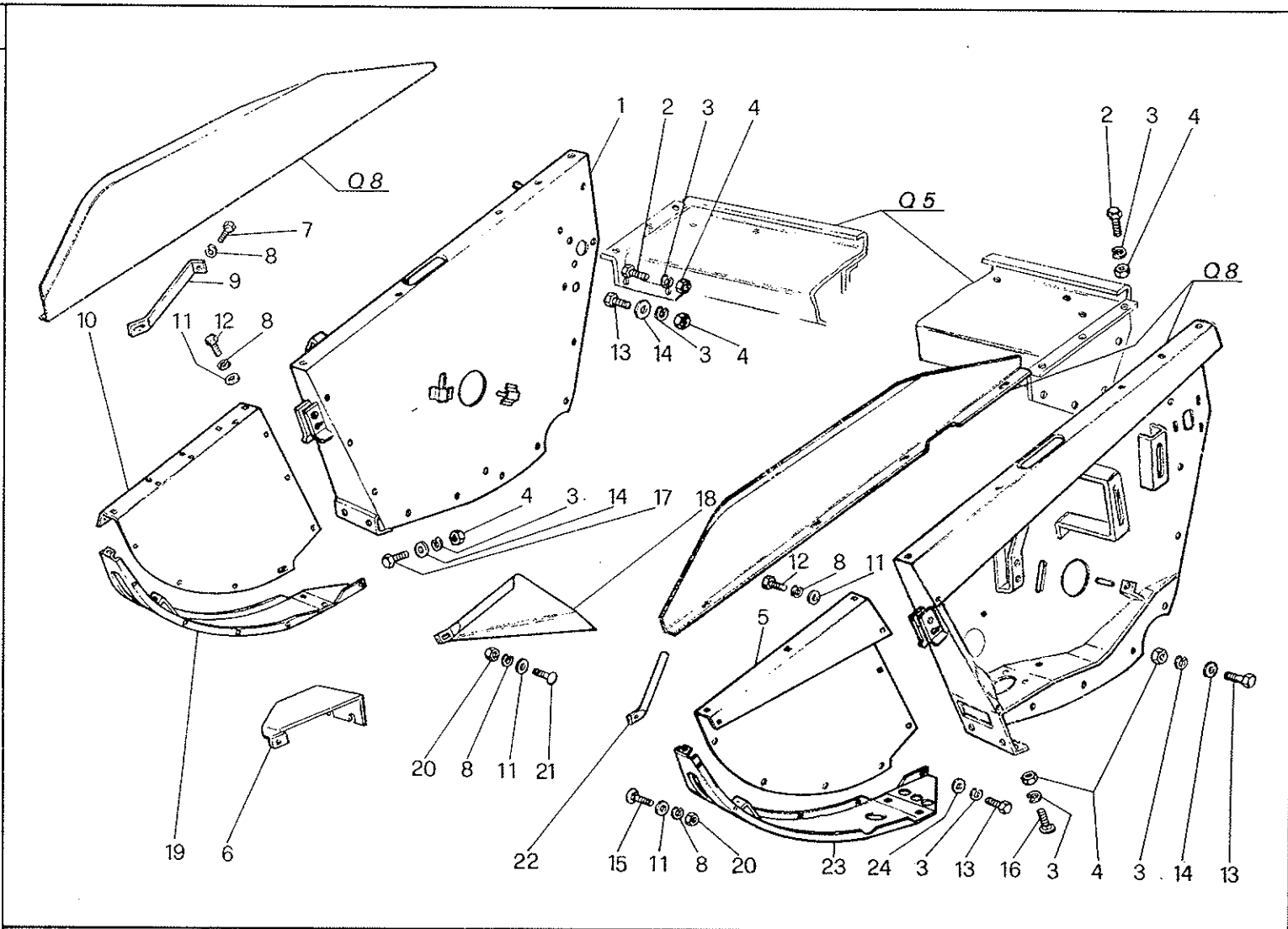
PIATTAFORMA
 PLATEFORME
 PLATAFORMA
 CUTTER BAR TABLE
 MAEHTISCH

Q 6 H

5F750A18

| MODIF. | RIF. | N° ORDIN. | DENOMINAZIONE | DESIGNATION | DENOMINACIONES | DESCRIPTION | BENENNUNG |
|--------|------|-----------|--------------------------|------------------|-------------------|------------------|-----------------|
| | 1 | 342.510 | VITE SPECIALE | VIS SPECIAL | TORNILLO ESPECIAL | SPECIAL SCREW | SPEZIALSCHRAUBE |
| | 2 | 355.00915 | RONDELLA | RONDELLE | ARANDELA | WASHER | SCHEIBE |
| | 3 | 354.108 | ROSETTA ELASTICA | RONDELLE W | ARANDELA ELASTICA | SPRING WASHER | FEDERSCHEIBE |
| | 4 | 650.108 | DADO | ECROU | TUERCA | NUT | MUTTER |
| | 5 | 342.511 | VITE SPECIALE | VIS SPECIAL | TORNILLO ESPECIAL | SPECIAL SCREW | SPEZIALSCHRAUBE |
| | 6 | 1.35671 | LAMIERA SUPERIORE D. | TOLE | CHAPA | PLATE | LEITBLECH |
| | 7 | 1.35675 | LAMA RASAMENTO D. | LAME D'ARASEMENT | CHAPA DE ROCE | ANTI-WRAP PLATE | REIBPLATTE |
| | 8 | 1.35672 | LAMIERA SUPERIORE S. | TOLE | CHAPA | PLATE | LEITBLECH |
| | 9 | 1.35669 | LAMIERA INFERIORE D. | TOLE | CHAPA | PLATE | LEITBLECH |
| | 10 | 1.32596 | SLITTA REGOLABILE | PATIN | PATIN | PLATE | GLEITKUFE |
| | 11 | 1.35673 | SLITTA LATERALE FISSA D. | PATIN | PATIN | PLATE | GLEITKUFE |
| | 12 | 1.32594 | LAMIERA CENTRALE | TOLE | CHAPA | PLATE | LEITBLECH |
| | 13 | 1.32597 | SLITTA CENTRALE | PATIN CENTRAL | PATIN CENTRAL | CENTRAL PLATE | GLEITKUFE |
| | 14 | 1.35670 | LAMIERA INFERIORE S. | TOLE | CHAPA | PLATE | LEITBLECH |
| | 15 | 621.1018 | VITE | VIS | TORNILLO | SCREW | SCHRAUBE |
| | 16 | 354.110 | ROSETTA ELASTICA | RONDELLE W | ARANDELA ELASTICA | SPRING WASHER | FEDERSCHEIBE |
| | 17 | 355.11030 | RONDELLA | RONDELLE | ARANDELA | WASHER | SCHEIBE |
| | 18 | 650.110 | DADO | ECROU | TUERCA | NUT | MUTTER |
| | 19 | 1.35676 | LAMA RASAMENTO S. | LAME D'ARASEMENT | CHAPA DE ROCE | ANTI-WRAP PLATE | REIBPLATTE |
| | 20 | 1.35674 | SLITTA LATERALE S. | PATIN | PATIN | PLATE | GLEITKUFE |
| | 21 | 1.15811 | LAMIERA RITEGNO GRANELLA | TOLE ARRET GRAIN | CHAPA FRENO GRANO | GRAIN STOP PLATE | LEITBLECH |
| | 22 | 1.35693 | LAMIERA ESTERNA D. | TOLE | CHAPA | PLATE | LEITBLECH |

| MODIF. | RIF. | N° ORDIN. | QUANT. | NOTE |
|--------|------|-----------|--------|------|
| | 1 | 1.32593 | 1 | |
| | 2 | 621.1014 | 6 | |
| | 3 | 354.110 | 30 | |
| | 4 | 650.110 | 24 | |
| | 5 | 1.14403 | 1 | |
| | 6 | 1.15975 | 1 | |
| | 7 | 621.0807 | 1 | |
| | 8 | 354.108 | 18 | |
| | 9 | 1.15779 | 1 | |
| | 10 | 1.14421 | 1 | |
| | 11 | 355.00915 | 22 | |
| | 12 | 621.0814 | 6 | |
| | 13 | 621.1016 | 16 | |
| | 14 | 355.11030 | 16 | |
| | 15 | 342.510 | 11 | |
| | 16 | 342.520 | 4 | |
| | 17 | 621.1018 | 4 | |
| | 18 | 1.15757 | 1 | |
| | 19 | 1.15534 | 1 | |
| | 20 | 650.108 | 15 | |
| | 21 | 342.511 | 4 | |
| | 22 | 1.15036 | 1 | |
| | 23 | 1.14405 | 1 | |
| | 24 | 355.01120 | 2 | |



C 310 C 480
C 360 C 540
C 420 C 600
C 660

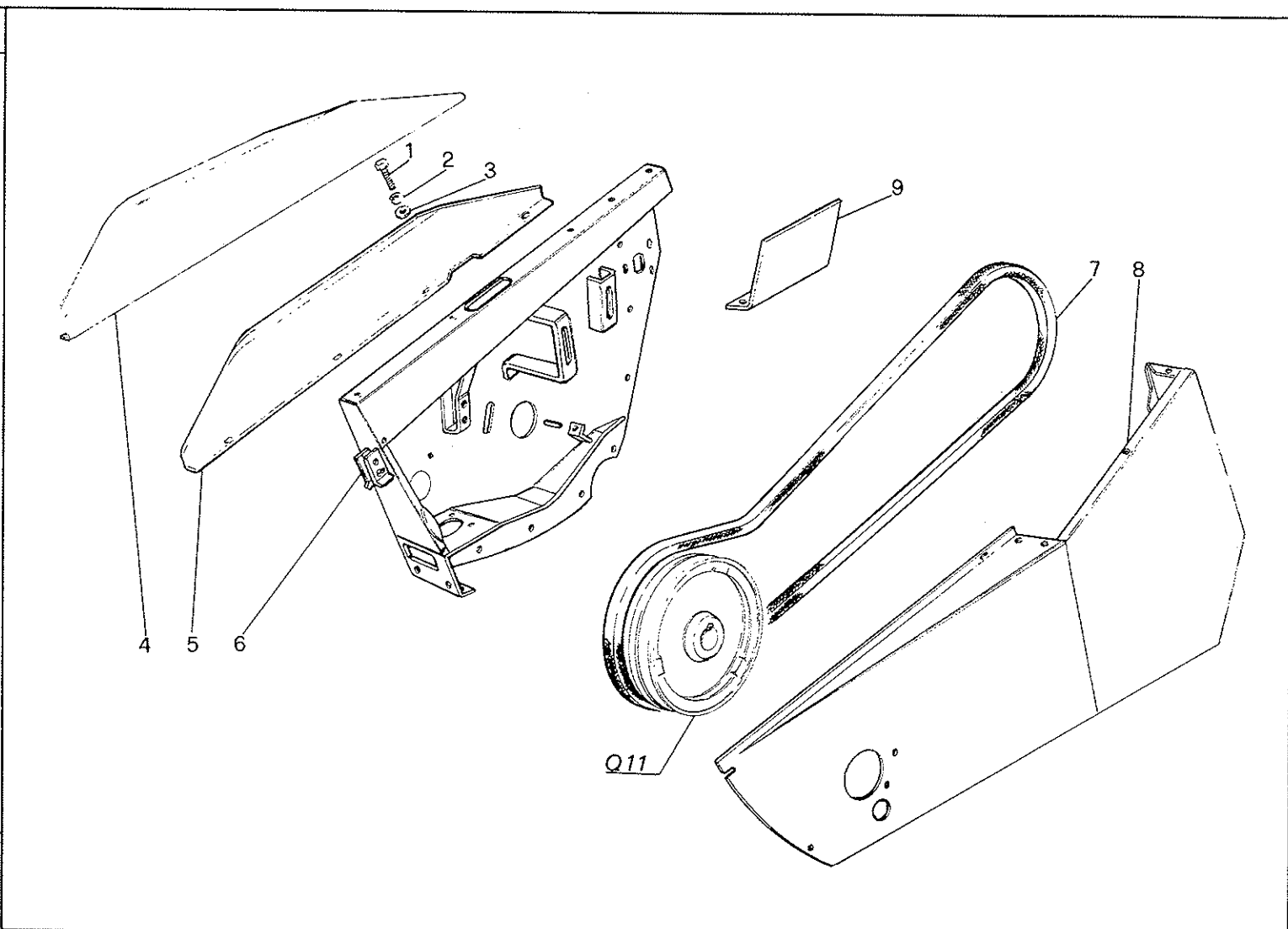
FIANCO DESTRO PIATTAFORMA
 FLANC DROITE DE PLATEFORME
 COSTADO DERECHO PLATAFORMA
 PLATFORM WALL R.H.
 SEITENWAND R.

Q7

5F790A06
 5F790A00

| MODIF. | RIF. | N° ORDIN. | DENOMINAZIONE | DESIGNATION | DENOMINACIONES | DESCRIPTION | BENENNUNG |
|--------|------|-----------|--------------------------|---------------|-------------------|--------------------|-----------------|
| | 1 | 1.32593 | FIANCO D. BARRA | COTE D. | COSTADO DE. | SIDE WALL, R.H. | SEITENWAND R. |
| | 2 | 621.1014 | VITE | VIS | TORNILLO | SCREW | SCHRAUBE |
| | 3 | 354.110 | ROSETTA ELASTICA | RONDELLE W | ARANDELA ELASTICA | SPRING WASHER | FEDERSCHEIBE |
| | 4 | 650.110 | DADO | ECROU | TUERCA | NUT | MUTTER |
| | 5 | 1.14403 | SPARTITORE S. | DIVISEUR G. | DIVISOR IZ. | DIVIDER, L.H. | HALMTEILER L. |
| | 6 | 1.15975 | PROTEZIONE ESTREMITA' D. | PROTECTEUR | PROTECCION | GUARD | SCHUTZBLECH. |
| | 7 | 621.0807 | VITE | VIS | TORNILLO | SCREW | SCHRAUBE |
| | 8 | 354.108 | ROSETTA ELASTICA | RONDELLE W | ARANDELA ELASTICA | SPRING WASHER | FEDERSCHEIBE |
| | 9 | 1.15779 | DEVIATORE | DEFLECTEUR | DEFLECTOR | CROP DIVIDER | HALMTEILER |
| | 10 | 1.14421 | SPARTITORE D. | DIVISEUR D. | DIVISOR DE. | DIVIDER, R.H. | HALMTEILER R. |
| | 11 | 355.00915 | RONDELLA | RONDELLE | ARANDELA | WASHER | SCHRAUBE |
| | 12 | 621.0814 | VITE | VIS | TORNILLO | SCREW | SCHRAUBE |
| | 13 | 621.1016 | VITE | VIS | TORNILLO | SCREW | SCHRAUBE |
| | 14 | 355.11030 | RONDELLA | RONDELLE | ARANDELA | WASHER | SCHRAUBE |
| | 15 | 342.510 | VITE SPECIALE | VIS SPECIAL | TORNILLO ESPECIAL | SPECIAL SCREW | SPEZIALSCHRAUBE |
| | 16 | 342.520 | VITE SPECIALE | VIS SPECIAL | TORNILLO ESPECIAL | SPECIAL SCREW | SPEZIALSCHRAUBE |
| | 17 | 621.1018 | VITE | VIS | TORNILLO | SCREW | SCHRAUBE |
| | 18 | 1.15757 | DEVIATORE D. | DEFLECTEUR D. | DEFLECTOR DE. | CROP DIVIDER, R.H. | HALMTEILER R. |
| | 19 | 1.15534 | SUOLA SPARTITORE D. | SABOT D. | SUELA DE. | SHOE, R.H. | SOHLE R. |
| | 20 | 650.108 | DADO | ECROU | TUERCA | NUT | MUTTER |
| | 21 | 342.511 | VITE SPECIALE | VIS SPECIAL | TORNILLO ESPECIAL | SPECIAL SCREW | SPEZIALSCHRAUBE |
| | 22 | 1.15036 | DEVIATORE LATO S. | DEFLECTEUR G. | DEFLECTOR IZ. | CROP DIVIDER, L.H. | HALMTEILER L. |
| | 23 | 1.14405 | SUOLA SPARTITORE S. | SABOT G. | SUELA IZ. | SHOE, L.H. | SOHLE L. |
| | 24 | 355.01120 | RONDELLA | RONDELLE | ARANDELA | WASHER | SCHRAUBE |

| MODIF. | RIF. | N° ORDIN. | QUANT. | NOTE |
|--------|------|-----------|--------|------|
| | 1 | 621.0814 | 6 | |
| | 2 | 354.108 | 5 | |
| | 3 | 355.10820 | 5 | |
| | 4 | 1.32667 | 1 | |
| | 5 | 1.32668 | 1 | |
| | 6 | 1.32592 | 1 | |
| | 7 | 433.418 | 1 | |
| | 8 | 1.14863 | 1 | |
| | 9 | 1.34516 | 1 | |



C 310 C 480
C 360 C 540
C 420 C 600
C 660

FIANCO SINISTRO PIATTAFORMA
 FLANC G. DE PLATEFORME
 COSTADO IZ. PLATAFORMA
 PLATFORM WALL L.H.
 SEITENWAENDE L.

Q 8

5F750M01

6/1984

Q 8

LAVERDA

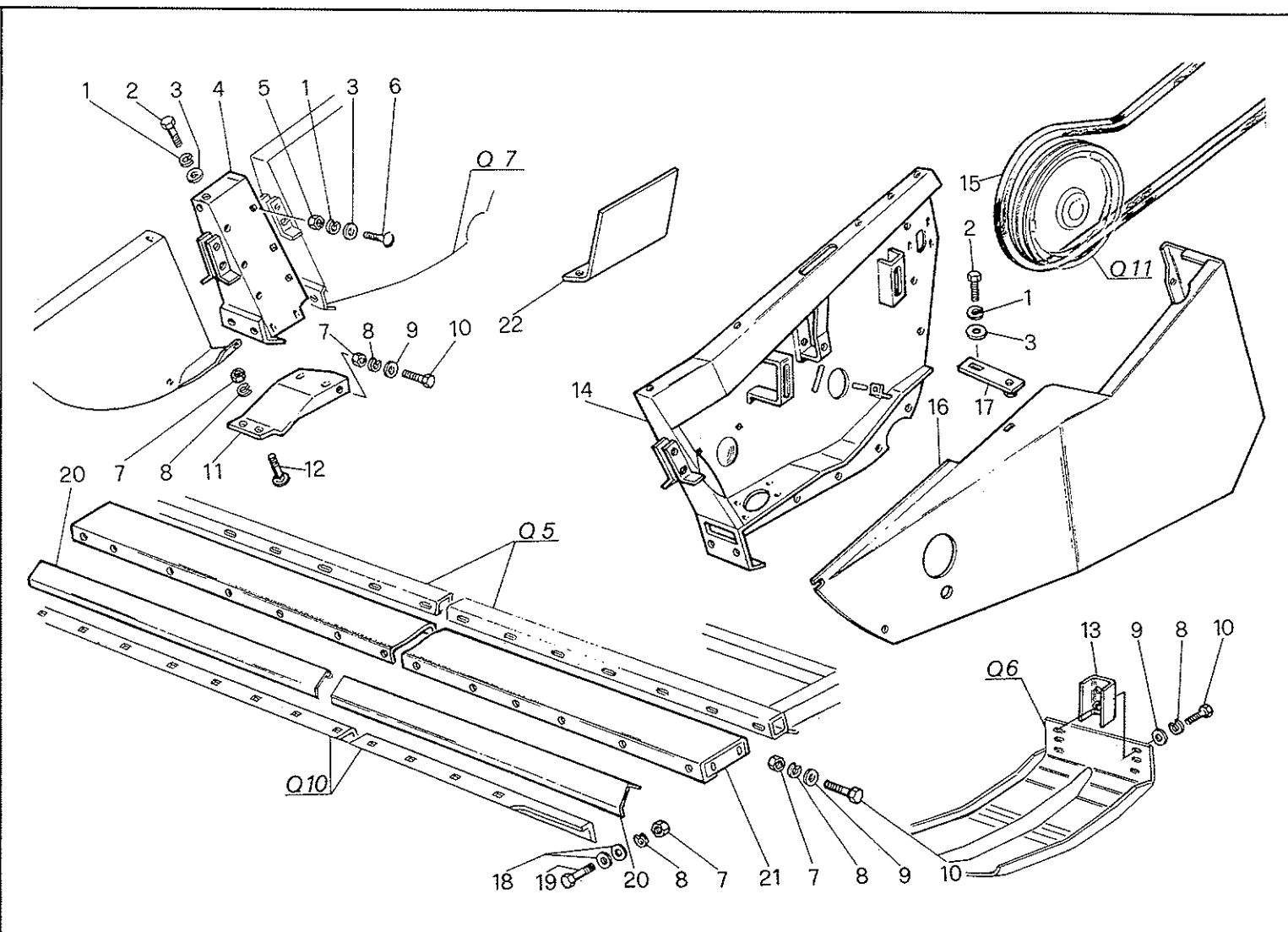
| MODIF. | RIF. | N° ORDIN. | DENOMINAZIONE | DESIGNATION | DENOMINACIONES | DESCRIPTION | BENENNUNG |
|--------|------|-----------|-------------------|-------------|-------------------|-----------------|----------------|
| | 1 | 621.0814 | VITE | VIS | TORNILLO | SCREW | SCHRAUBE |
| | 2 | 354.108 | ROSETTA ELASTICA | RONDELLE W | ARANDELA ELASTICA | SPRING WASHER | FEDERSCHEIBE |
| | 3 | 355.10820 | RONDELLA | RONDELLE | ARANDELA | WASHER | SCHEIBE |
| | 4 | 1.32667 | RIALZO D. | REHAUSSE D. | ALZAS DE. | EXTENSION, R.H. | HEBPLATTE R. |
| | 5 | 1.32668 | RIALZO S. | REHAUSSE G. | ALZAS IZ. | EXTENSION, L.H. | HEBPLATTE L. |
| | 6 | 1.32592 | FIANCO S. BARRA | COTE G. | COSTADO IZ. | SIDE WALL, L.H. | VERSCHALUNG L. |
| | 7 | 433.418 | CINGHIA | COURROIE | CORREA | BELT | RIEMEN |
| | 8 | 1.14863 | PROTEZIONE BARRA | PROTECTEUR | PROTECCION | GUARD | SCHUTZBLECH |
| | 9 | 1.34516 | PROTEZIONE CORONA | PROTECTEUR | PROTECCION | GUARD | SCHUTZBLECH |

| MODIF. | RIF. | N° ORDIN. | QUANT. | NOTE |
|--------|------|-----------|--------|------|
| | 1 | 354.108 | 5 | |
| | 2 | 621.0814 | 2 | |
| | 3 | 355.00915 | 5 | |
| | 4 | 1.31494 | 1 | |
| | 5 | 650.108 | 3 | |
| | 6 | 342.510 | 3 | |
| | 7 | 650.110 | 18 | |
| | 8 | 354.110 | 22 | |
| | 9 | 355.01120 | 5 | |
| | 10 | 621.1016 | 9 | |
| | 11 | 1.31495 | 1 | |
| | 12 | 342.525 | 2 | |
| | 13 | 1.18675 | 4 | |
| | 14 | 1.34847 | 1 | |
| | 15 | 433.421 | 1 | |
| | 16 | 1.31547 | 1 | |
| | 17 | 1.31548 | 1 | |
| | 18 | 355.11030 | 28 | |
| | 19 | 621.1020 | 11 | |
| | 20 | 1.15447 | 2 | |
| | 21 | 1.25800 | 1 | |
| | 22 | 1.35938 | 1 | |

| | | |
|--------------|-------------------------------------------------------------------------------------------------------------------------------------------------------------------------------------------------|--------------|
| C 310 | FIANCO SINISTRO PIATTAFORMA AVANZATA FLANC G. PLATEFORME RALONGEE COSTADO IZ. PLATAFORMA ADELANTADA L.H. SIDE WALL OF EXTENSEDED KNIFE L. SEITENWAND FUER VERLAENG. SCHNEIDWERKMUDE | Q 8 A |
| | 6/1984 | 5F770R24 |

| MODIF. | RIF. | N° ORDIN. | DENOMINAZIONE | DESIGNATION | DENOMINACIONES | DESCRIPTION | BENENNUNG |
|--------|------|-----------|--------------------------|------------------------|----------------------|------------------|-----------------|
| | 1 | 354.108 | ROSETTA ELASTICA | RONDELLE W | ARANDELA ELASTICA | SPRING WASHER | FEDERSCHEIBE |
| | 2 | 621.0814 | VITE | VIS | TORNILLO | SCREW | SCHRAUBE |
| | 3 | 355.00915 | RONDELLA | RONDELLE | ARANDELA | WASHER | SCHEIBE |
| | 4 | 1.31494 | PROLUNGA FIANCO D. | RALLONGE | PROLONGA | EXTENSION | VERLAENGERUNG |
| | 5 | 650.108 | DADO | ECROU | TUERCA | NUT | MÜTTER |
| | 6 | 342.510 | VITE SPECIALE | VIS SPECIAL | TORNILLO ESPECIAL | SPECIAL SCREW | SPEZIALSCHRAUBE |
| | 7 | 650.110 | DADO | ECROU | TUERCA | NUT | MÜTTER |
| | 8 | 354.110 | ROSETTA ELASTICA | RONDELLE W | ARANDELA ELASTICA | SPRING WASHER | FEDERSCHEIBE |
| | 9 | 355.01120 | RONDELLA | RONDELLE | ARANDELA | WASHER | SCHEIBE |
| | 10 | 621.1016 | VITE | VIS | TORNILLO | SCREW | SCHRAUBE |
| | 11 | 1.31495 | PIASTRA IRRIGIDIM. | PLAQUE | PLACA | PLATE | PLATTE |
| | 12 | 342.525 | VITE SPECIALE | VIS SPECIAL | TORNILLO ESPECIAL | SPECIAL SCREW | SPEZIALSCHRAUBE |
| | 13 | 1.18675 | STAFFA SUPPORTO | ETRIER | ABRAZADERA | BRACKET | HALTERRAHMEN |
| | 14 | 1.34847 | FIANCO S. BARRA | FLANC G. | COSTADO IZ. | SIDE WALL, L.H. | SEITENWAND L. |
| | 15 | 433.421 | CINGHIA | COURROIE | CORREA | BELT | RIEMEN |
| | 16 | 1.31547 | PROTEZIONE CINGHIA | PROTECTEUR DE COURROIE | PROTECCION DE CORREA | BELT GUARD | RIEMENSCHUTZ |
| | 17 | 1.31548 | PIASTRINA | PLAQUETTE | PLANCHUELA | PLATE | PLAETTCHEN |
| | 18 | 355.11030 | RONDELLA | RONDELLE | ARANDELA | WASHER | SCHEIBE |
| | 19 | 621.1020 | VITE | VIS | TORNILLO | SCREW | SCHRAUBE |
| | 20 | 1.15447 | LAMIERA CONTEN. GRANELLA | TOLE ARRET GRAIN | CHAPA FRENO GRANO | GRAIN STOP PLATE | LEITBLECH |
| | 21 | 1.25800 | PROLUNGA FONDO BARRA | RALLONGE | PROLONGA | EXTENSION | VERLAENGERUNG |
| | 22 | 1.35938 | PROTEZIONE CORONA | PROTECTEUR | PROTECCION | GUARD | SCHUTZBLECH |

| MODIF. | RIF. | N° ORDIN. | QUANT. | NOTE |
|--------|------|-----------|--------|------|
| | 1 | 354.108 | 5 | |
| | 2 | 621.0814 | 2 | |
| | 3 | 355.00915 | 5 | |
| | 4 | 1.31494 | 1 | |
| | 5 | 650.108 | 3 | |
| | 6 | 342.510 | 3 | |
| | 7 | 650.110 | 20 | |
| | 8 | 354.110 | 24 | |
| | 9 | 355.01120 | 5 | |
| | 10 | 621.1016 | 9 | |
| | 11 | 1.31495 | 1 | |
| | 12 | 342.525 | 2 | |
| | 13 | 1.18675 | 4 | |
| | 14 | 1.34847 | 1 | |
| | 15 | 433.421 | 1 | |
| | 16 | 1.31547 | 1 | |
| | 17 | 1.31548 | 1 | |
| | 18 | 355.11030 | 30 | |
| | 19 | 621.1020 | 13 | |
| | 20 | 1.15445 | 2 | |
| | 21 | 1.31990 | 1 | |
| | 22 | 1.35938 | 1 | |



C 360

621984

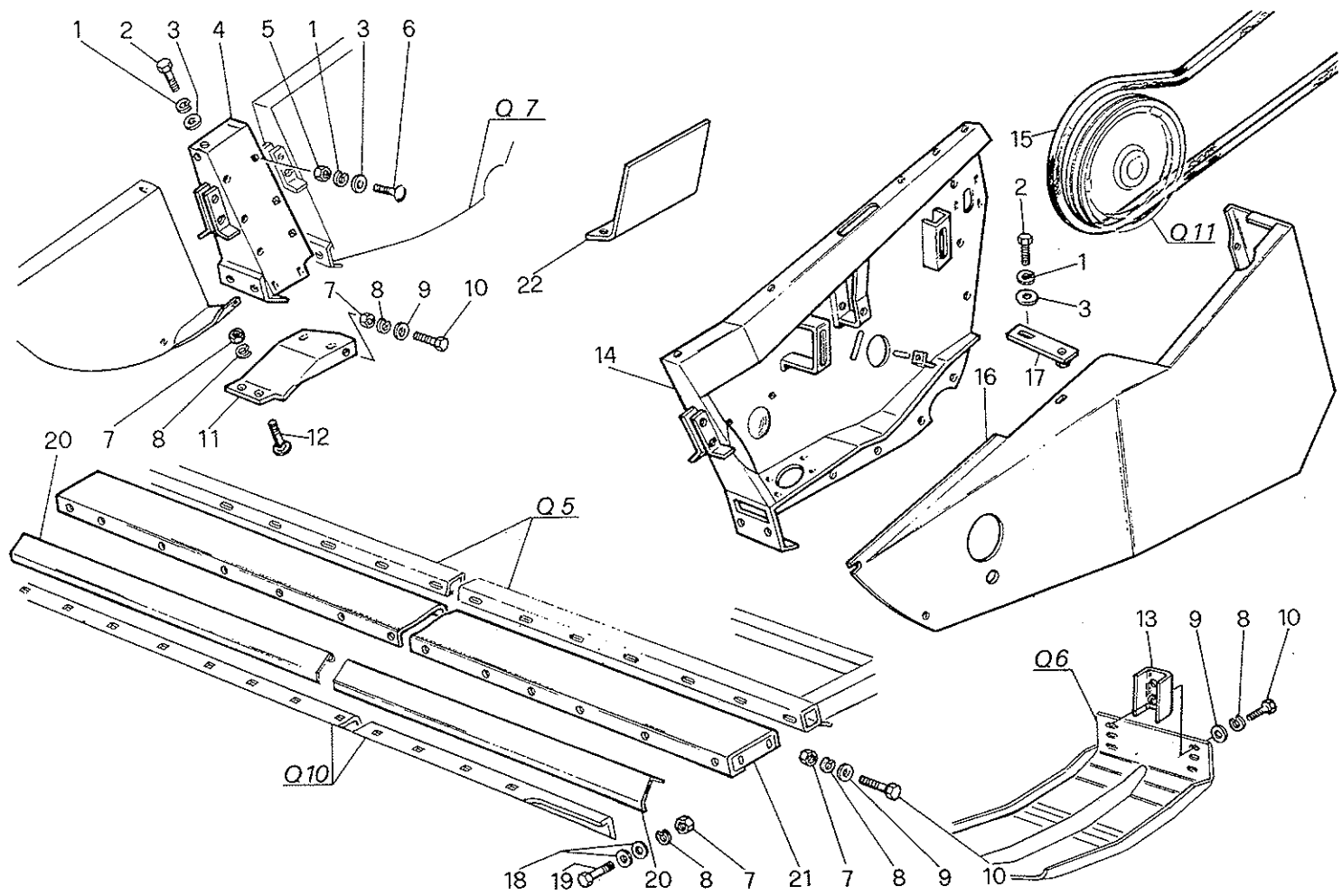
FIANCO SINISTRO PIATTAFORMA AVANZATA
 FLANC G. PLATEFORME RALONGEE
 COSTADO IZ. PLATAFORMA ADELANTADA
 L.H. SIDE WALL OF EXTENSEDED KNIFE
 L. SEITENWAND FUER VERLAENG. SCHNEIDWERKMULDE

Q 8 B

5F770R26

| MODIF. | RIF. | N° ORDIN. | DENOMINAZIONE | DESIGNATION | DENOMINACIONES | DESCRIPTION | BENENNUNG |
|--------|------|-----------|--------------------------------|------------------------|----------------------|------------------|-----------------|
| | 1 | 354.108 | ROSETTA ELASTICA | RONDELLE W | ARANDELA ELASTICA | SPRING WASHER | FEDERSCHEIBE |
| | 2 | 621.0814 | VITE | VIS | TORNILLO | SCREW | SCHRAUBE |
| | 3 | 355.00915 | RONDELLA | RONDELLE | ARANDELA | WASHER | SCHEIBE |
| | 4 | 1.31494 | PROLUNGA FIANCO D. | RALLONGE | PROLONGA | EXTENSION | VERLAENGERUNG |
| | 5 | 650.108 | DADO | ECROU | TUERCA | NUT | MUTTER |
| | 6 | 342.510 | VITE SPECIALE | VIS SPECIAL | TORNILLO ESPECIAL | SPECIAL SCREW | SPEZIALSCHRAUBE |
| | 7 | 650.110 | DADO | ECROU | TUERCA | NUT | MUTTER |
| | 8 | 354.110 | ROSETTA ELASTICA | RONDELLE W | ARANDELA ELASTICA | SPRING WASHER | FEDERSCHEIBE |
| | 9 | 355.01120 | RONDELLA | RONDELLE | ARANDELA | WASHER | SCHEIBE |
| | 10 | 621.1016 | VITE | VIS | TORNILLO | SCREW | SCHRAUBE |
| | 11 | 1.31495 | PIASTRA IRRIGIDIMENTO PROLUNGA | PLAQUE | PLACA | PLATE | PLATTE |
| | 12 | 342.525 | VITE SPECIALE | VIS SPECIAL | TORNILLO ESPECIAL | SPECIAL SCREW | SPEZIALSCHRAUBE |
| | 13 | 1.18675 | STAFFA SUPPORTO SLITTA MOBILE | ETRIER | ABRAZADERA | BRACKET | HALTERRAHMEN |
| | 14 | 1.34847 | FIANCO S. BARRA | FLANC G. | COSTADO IZ. | SIDE WALL, L.H. | SEITENWAND L. |
| | 15 | 433.421 | CINGHIA | COURROIE | CORREA | BELT | RIEMEN |
| | 16 | 1.31547 | PROTEZIONE CINGHIA | PROTECTEUR DE COURROIE | PROTECCION DE CORREA | BELT GUARD | RIEMENSCHUTZ |
| | 17 | 1.31548 | PIASTRINA | PLAQUETTE | PLANCHUELA | PLATE | PLAETTCHEN |
| | 18 | 355.11030 | RONDELLA | RONDELLE | ARANDELA | WASHER | SCHEIBE |
| | 19 | 621.1020 | VITE | VIS | TORNILLO | SCREW | SCHRAUBE |
| | 20 | 1.15445 | LAMIERA CONTENIMENTO GRANELLA | TOLE ARRET GRAIN | CHAPA FRENO GRANO | GRAIN STOP PLATE | LEITSLECH |
| | 21 | 1.31990 | PROLUNGA FONDO BARRA | RALLONGE | PROLONGA | EXTENSION | VERLAENGERUNG |
| | 22 | 1.35938 | PROTEZIONE CORONA | PROTECTEUR | PROTECCION | GUARD | SCHUTZBLECH |

| MODIF. | RIF. | N° ORDIN. | QUANT. | NOTE |
|--------|------|-----------|--------|------|
| | 1 | 354.108 | 5 | |
| | 2 | 621.0814 | 2 | |
| | 3 | 355.00915 | 5 | |
| | 4 | 1.31494 | 1 | |
| | 5 | 650.108 | 3 | |
| | 6 | 342.510 | 3 | |
| | 7 | 650.110 | 22 | |
| | 8 | 354.110 | 26 | |
| | 9 | 355.01120 | 5 | |
| | 10 | 621.1016 | 9 | |
| | 11 | 1.31495 | 1 | |
| | 12 | 342.525 | 2 | |
| | 13 | 1.18675 | 4 | |
| | 14 | 1.34847 | 1 | |
| | 15 | 433.421 | 1 | |
| | 16 | 1.31547 | 1 | |
| | 17 | 1.31548 | 1 | |
| | 18 | 355.11030 | 34 | |
| | 19 | 621.1020 | 15 | |
| | 20 | 1.15440 | 2 | |
| | 21 | 1.31991 | 1 | |
| | 22 | 1.35938 | 1 | |



C 420

FIANCO SINISTRO PIATTAFORMA AVANZATA
 FLANC G. PLATEFORME RALONGEE
 COSTADO IZ. PLATAFORMA ADELANTADA
 L.H. SIDE WALL OF EXTENSEDED KNIFE
 L. SEITENWAND FUER VERLAENG. SCHNEIDWERKMULDE

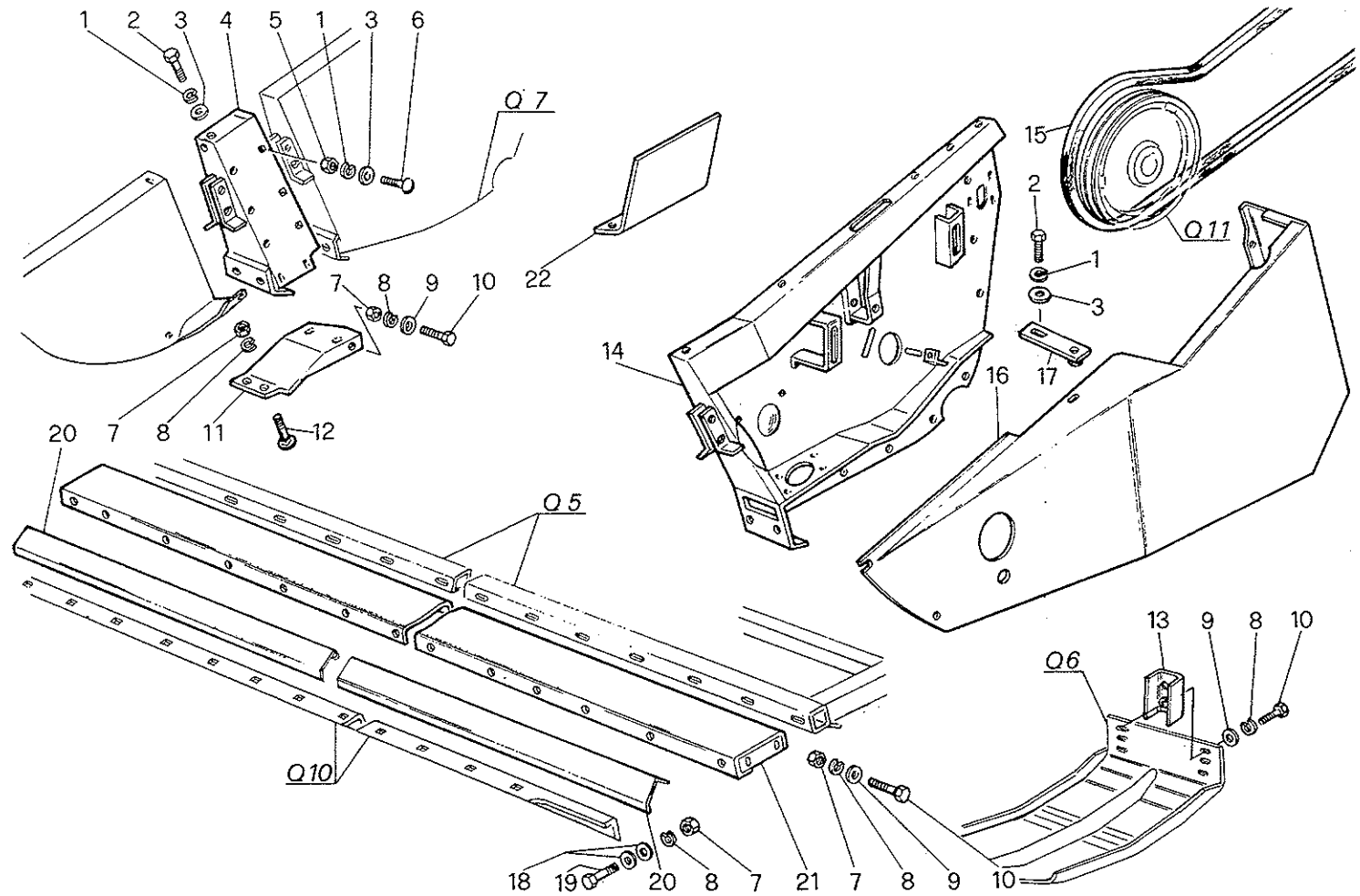
Q 8 D

5F770R30

6/1984

| MODIF. | RIF. | N° ORDIN. | DENOMINAZIONE | DESIGNATION | DENOMINACIONES | DESCRIPTION | BENENNUNG |
|--------|------|-----------|--------------------------------|------------------------|----------------------|------------------|-----------------|
| | 1 | 354.108 | ROSETTA ELASTICA | RONDELLE W | ARANDELA ELASTICA | SPRING WASHER | FEDERSCHEIBE |
| | 2 | 621.0814 | VITE | VIS | TORNILLO | SCREW | SCHRAUBE |
| | 3 | 355.00915 | RONDELLA | RONDELLE | ARANDELA | WASHER | SCHIEBE |
| | 4 | 1.31494 | PROLUNGA FIANCO D. | RALLONGE | PROLONGA | EXTENSION | VERLAENGERUNG |
| | 5 | 650.108 | DADO | ECROU | TUERCA | NUT | MUTTER |
| | 6 | 342.510 | VITE SPECIALE | VIS SPECIAL | TORNILLO ESPECIAL | SPECIAL SCREW | SPEZIALSCHRAUBE |
| | 7 | 650.110 | DADO | ECROU | TUERCA | NUT | MUTTER |
| | 8 | 354.110 | ROSETTA ELASTICA | RONDELLE W | ARANDELA ELASTICA | SPRING WASHER | FEDERSCHEIBE |
| | 9 | 355.01120 | RONDELLA | RONDELLE | ARANDELA | WASHER | SCHIEBE |
| | 10 | 621.1016 | VITE | VIS | TORNILLO | SCREW | SCHRAUBE |
| | 11 | 1.31495 | PIASTRA IRRIGIDIMENTO PROLUNGA | PLAQUE | PLACA | PLATE | PLATTE |
| | 12 | 342.525 | VITE SPECIALE | VIS SPECIAL | TORNILLO ESPECIAL | SPECIAL SCREW | SPEZIALSCHRAUBE |
| | 13 | 1.18675 | STAFFA SUPPORTO SLITTA MOBILE | ETRIER | ABRAZADERA | BRACKET | HALTERRAHMEN |
| | 14 | 1.34847 | FIANCO S. BARRA | FLANC G. | COSTADO IZ. | SIDE WALL, L.H. | SEITENWAND L. |
| | 15 | 433.421 | CINGHIA | COURROIE | CORREA | BELT | RIEMEN |
| | 16 | 1.31547 | PROTEZIONE CINGHIA | PROTECTEUR DE COURROIE | PROTECCION DE CORREA | BELT GUARD | RIEMENSCHUTZ |
| | 17 | 1.31548 | PIASTRINA | PLAQUETTE | PLANCHUELA | PLATE | PLAETTCHEN |
| | 18 | 355.11030 | RONDELLA | RONDELLE | ARANDELA | WASHER | SCHIEBE |
| | 19 | 621.1020 | VITE | VIS | TORNILLO | SCREW | SCHRAUBE |
| | 20 | 1.15440 | LAMIERA CONTENIMENTO GRANELLA | TOLE ARRET GRAIN | CHAPA FRENO GRANO | GRAIN STOP PLATE | LEITBLECH |
| | 21 | 1.31991 | PROLUNGA FONDO BARRA | RALLONGE | PROLONGA | EXTENSION | VERLAENGERUNG |
| | 22 | 1.35938 | PROTEZIONE CORONA | PROTECTEUR | PROTECCION | GUARD | SCHUTZBLECH |

| MODIF. | RIF. | N° ORDIN. | QUANT. | NOTE |
|--------|------|-----------|--------|------|
| | 1 | 354.108 | 5 | |
| | 2 | 621.0814 | 2 | |
| | 3 | 355.00915 | 5 | |
| | 4 | 1.31494 | 1 | |
| | 5 | 650.108 | 3 | |
| | 6 | 342.510 | 3 | |
| | 7 | 650.110 | 24 | |
| | 8 | 354.110 | 32 | |
| | 9 | 355.01120 | 5 | |
| | 10 | 621.1016 | 13 | |
| | 11 | 1.31495 | 1 | |
| | 12 | 342.525 | 2 | |
| | 13 | 1.18675 | 8 | |
| | 14 | 1.34847 | 1 | |
| | 15 | 433.421 | 1 | |
| | 16 | 1.31547 | 1 | |
| | 17 | 1.31548 | 1 | |
| | 18 | 355.11030 | 42 | |
| | 19 | 621.1020 | 17 | |
| | 20 | 1.15454 | 2 | |
| | 21 | 1.34481 | 1 | |
| | 22 | 1.35938 | 1 | |



C 480

FIANCO SINISTRO PIATTAFORMA AVANZATA
 FLANC G. PLATEFORME RALONGEE
 COSTADO IZ. PLATAFORMA ADELANTADA
 L.H. SIDE WALL OF EXTENSEDED KNIFE
 L. SEITENWAND FUER VERLAENG. SCHNEIDWERKMULDE

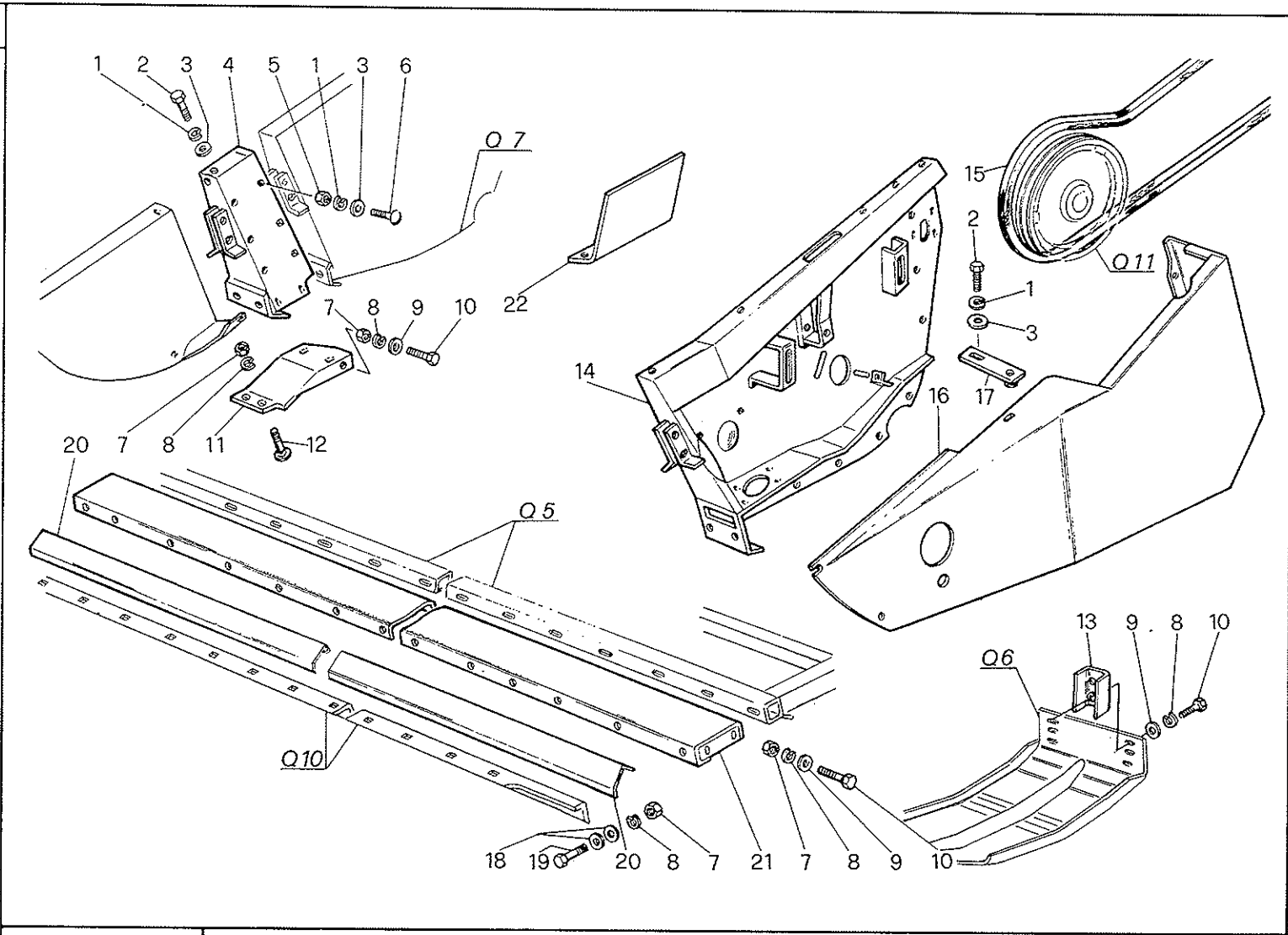
Q 8 E

5F770R32

6/1984

| MODIF. | RIE | N° ORDIN. | DENOMINAZIONE | DESIGNATION | DENOMINACIONES | DESCRIPTION | BENENNUNG |
|--------|-----|-----------|--------------------------------|------------------------|----------------------|------------------|-----------------|
| | 1 | 354.108 | ROSETTA ELASTICA | RONDELLE W | ARANDELA ELASTICA | SPRING WASHER | FEDERSCHEIBE |
| | 2 | 621.0814 | VITE | VIS | TORNILLO | SCREW | SCHRAUBE |
| | 3 | 355.00915 | RONDELLA | RONDELLE | ARANDELA | WASHER | SCHEIBE |
| | 4 | 1.31494 | PROLUNGA FIANCO D. | RALLONGE | PROLONGA | EXTENSION | VERLAENGERUNG |
| | 5 | 650.108 | DADO | ECROU | TUERCA | NUT | MUTTER |
| | 6 | 342.510 | VITE SPECIALE | VIS SPECIAL | TORNILLO ESPECIAL | SPECIAL SCREW | SPEZIALSCHRAUBE |
| | 7 | 650.110 | DADO | ECROU | TUERCA | NUT | MUTTER |
| | 8 | 354.110 | ROSETTA ELASTICA | RONDELLE W | ARANDELA ELASTICA | SPRING WASHER | FEDERSCHEIBE |
| | 9 | 355.01120 | RONDELLA | RONDELLE | ARANDELA | WASHER | SCHEIBE |
| | 10 | 621.1016 | VITE | VIS | TORNILLO | SCREW | SCHRAUBE |
| | 11 | 1.31495 | PIASTRA IRRIGIDIMENTO PROLUNGA | PLAQUE | PLACA | PLATE | PLATTE |
| | 12 | 342.525 | VITE SPECIALE | VIS SPECIAL | TORNILLO ESPECIAL | SPECIAL SCREW | SPEZIALSCHRAUBE |
| | 13 | 1.18675 | STAFFA SUPPORTO SLITTA MOBILE | ETRIER | ABRAZADERA | BRACKET | HALTERRAHMEN |
| | 14 | 1.34847 | FIANCO S. BARRA | FLANC G. | COSTADO IZ. | SIDE WALL, L.H. | SEITENWAND L. |
| | 15 | 433.421 | CINGHIA | COURROIE | CORREA | BELT | RIEMEN |
| | 16 | 1.31547 | PROTEZIONE CINGHIA | PROTECTEUR DE COURROIE | PROTECCION DE CORREA | BELT GUARD | RIEMENSCHUTZ |
| | 17 | 1.31548 | PIASTRINA | PLAQUETTE | PLANCHUELA | PLATE | PLAETTCHEN |
| | 18 | 355.11030 | RONDELLA | RONDELLE | ARANDELA | WASHER | SCHEIBE |
| | 19 | 621.1020 | VITE | VIS | TORNILLO | SCREW | SCHRAUBE |
| | 20 | 1.15454 | LAMIERA CONTENIMENTO GRANELLA | TOLE ARRET GRAIN | CHAPA FRENO GRANO | GRAIN STOP PLATE | LEITBLECH |
| | 21 | 1.34481 | PROLUNGA FONDO BARRA | RALLONGE | PROLONGA | EXTENSION | VERLAENGERUNG |
| | 22 | 1.35938 | PROTEZIONE CORONA | PROTECTEUR | PROTECCION | GUARD | SCHUTZBLECH |

| MODIF. | RIF. | N° ORDIN. | QUANT. | NOTE |
|--------|------|-----------|--------|------|
| | 1 | 354.108 | 5 | |
| | 2 | 621.0814 | 2 | |
| | 3 | 355.00915 | 5 | |
| | 4 | 1.31494 | 1 | |
| | 5 | 650.108 | 3 | |
| | 6 | 342.510 | 3 | |
| | 7 | 650.110 | 26 | |
| | 8 | 354.110 | 34 | |
| | 9 | 355.01120 | 5 | |
| | 10 | 621.1016 | 13 | |
| | 11 | 1.31495 | 1 | |
| | 12 | 342.525 | 2 | |
| | 13 | 1.18675 | 8 | |
| | 14 | 1.34847 | 1 | |
| | 15 | 433.421 | 1 | |
| | 16 | 1.31547 | 1 | |
| | 17 | 1.31548 | 1 | |
| | 18 | 355.11030 | 46 | |
| | 19 | 621.1020 | 19 | |
| | 20 | 1.15455 | 2 | |
| | 21 | 1.34482 | 1 | |
| | 22 | 1.35938 | 1 | |



C 540

6/1984

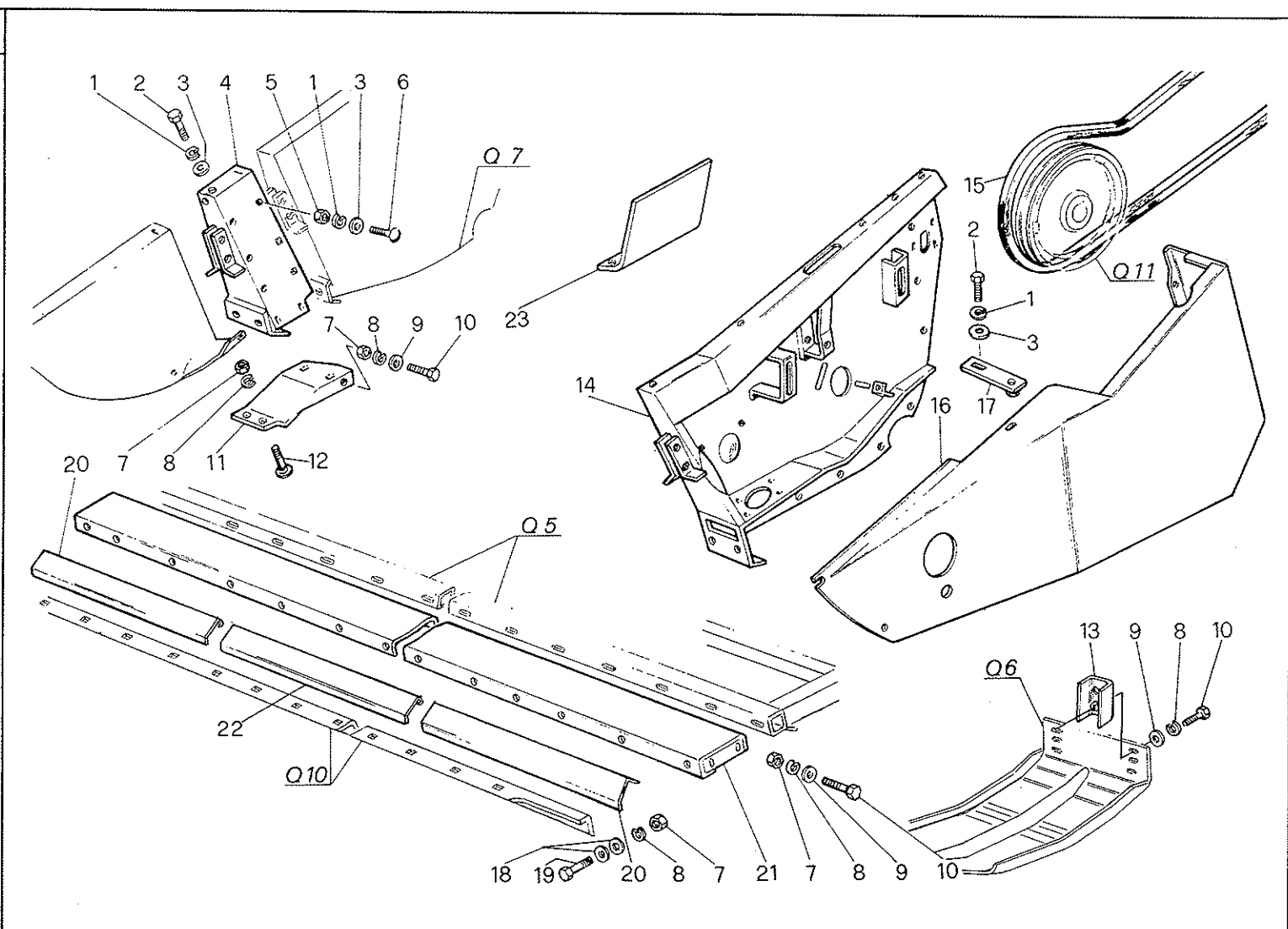
FIANCO SINISTRO PIATTAFORMA AVANZATA
 FLANC G. PLATEFORME RALONGEE
 COSTADO IZ. PLATAFORMA ADELANTADA
 L.H. SIDE WALL OF EXTENSEDED KNIFE
 L. SEITENWAND FUER VERLAENG. SCHNEIDWERKMULDE

Q 8 F

5F770R34

| MODIF. | RIF. | N° ORDIN. | DENOMINAZIONE | DESIGNATION | DENOMINACIONES | DESCRIPTION | BENENNUNG |
|--------|------|-----------|--------------------------------|------------------------|----------------------|------------------|-----------------|
| | 1 | 354.108 | ROSETTA ELASTICA | RONDELLE W | ARANDELA ELASTICA | SPRING WASHER | FEDERSCHEIBE |
| | 2 | 621.0814 | VITE | VIS | TORNILLO | SCREW | SCHRAUBE |
| | 3 | 355.00915 | RONDELLA | RONDELLE | ARANDELA | WASHER | SCHLEIBE |
| | 4 | 1.31494 | PROLUNGA FIANCO D. | RALLONGE | PROLONGA | EXTENSION | VERLAENGERUNG |
| | 5 | 650.108 | DADO | ECROU | TUERCA | NUT | MUTTER |
| | 6 | 342.510 | VITE SPECIALE | VIS SPECIAL | TORNILLO ESPECIAL | SPECIAL | SPEZIALSCHRAUBE |
| | 7 | 650.110 | DADO | ECROU | TUERCA | NUT | MUTTER |
| | 8 | 354.110 | ROSETTA ELASTICA | RONDELLE W | ARANDELA ELASTICA | SPRING WASHER | FEDERSCHEIBE |
| | 9 | 355.01120 | RONDELLA | RONDELLE | ARANDELA | WASHER | SCHLEIBE |
| | 10 | 621.1016 | VITE | VIS | TORNILLO | SCREW | SCHRAUBE |
| | 11 | 1.31495 | PIASTRA IRRIGIDIMENTO PROLUNGA | PLAQUE | PLACA | PLATE | PLATTE |
| | 12 | 342.525 | VITE SPECIALE | VIS SPECIAL | TORNILLO ESPECIAL | SPECIAL SCREW | SPEZIALSCHRAUBE |
| | 13 | 1.18675 | STAFFA SUPPORTO SLITTA MOBILE | ETRIER | ABRAZADERA | BRACKET | HALTERRAHMEN |
| | 14 | 1.34847 | FIANCO S. BARRA | FLANC G. | COSTADO IZ. | SIDE WALL, L.H. | SEITENWAND L. |
| | 15 | 433.421 | CINGHIA | COURROIE | CORREA | BELT | RIEMEN |
| | 16 | 1.31547 | PROTEZIONE CINGHIA | PROTECTEUR DE COURROIE | PROTECCION DE CORREA | BELT GUARD | RIEMENSCHUTZ |
| | 17 | 1.31548 | PIASTRINA | PLAQUETTE | PLANCHUELA | PLATE | PLAETTCHEN |
| | 18 | 355.11030 | RONDELLA | RONDELLE | ARANDELA | WASHER | SCHLEIBE |
| | 19 | 621.1020 | VITE | VIS | TORNILLO | SCREW | SCHRAUBE |
| | 20 | 1.15455 | LAMIERA CONTENIMENTO GRANELLA | TOLE ARRET GRAIN | CHAPA FRENO GRANO | GRAIN STOP PLATE | LEITBLECH |
| | 21 | 1.34482 | PROLUNGA FONDO BARRA | RALLONGE | PROLONGA | EXTENSION | VERLAENGERUNG |
| | 22 | 1.35938 | PROTEZIONE CORONA | PROTECTEUR | PROTECCION | GUARD | SCHUTZBLECH |

| MODIF. | RIF. | N° ORDIN. | QUANT. | NOTE |
|--------|------|-----------|--------|------|
| | 1 | 354.108 | 5 | |
| | 2 | 621.0814 | 2 | |
| | 3 | 355.00915 | 5 | |
| | 4 | 1.31494 | 1 | |
| | 5 | 650.108 | 3 | |
| | 6 | 342.510 | 3 | |
| | 7 | 650.110 | 28 | |
| | 8 | 354.110 | 36 | |
| | 9 | 355.01120 | 5 | |
| | 10 | 621.1016 | 13 | |
| | 11 | 1.31495 | 1 | |
| | 12 | 342.525 | 2 | |
| | 13 | 1.18675 | 8 | |
| | 14 | 1.34847 | 1 | |
| | 15 | 433.421 | 1 | |
| | 16 | 1.31547 | 1 | |
| | 17 | 1.31548 | 1 | |
| | 18 | 355.11030 | 50 | |
| | 19 | 621.1020 | 21 | |
| | 20 | 1.15440 | 2 | |
| | 21 | 1.34483 | 1 | |
| | 22 | 1.15445 | 1 | |
| | 23 | 1.35938 | 1 | |



C 600

6/1984

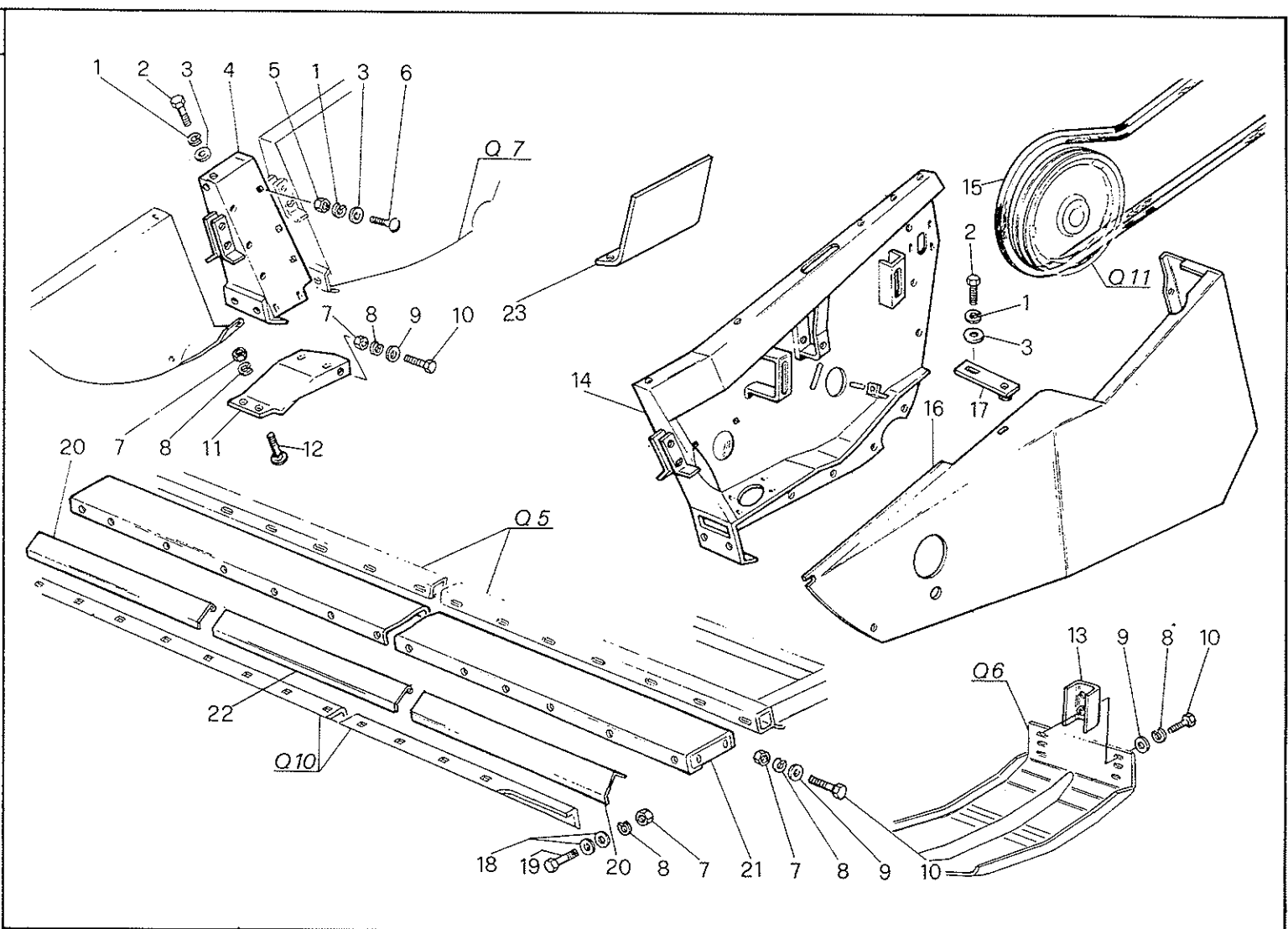
FIANCO SINISTRO PIATTAFORMA AVANZATA
FLANC G. PLATEFORME RALONGEE
COSTADO IZ. PLATAFORMA ADELANTADA
L.H. SIDE WALL OF EXTENSEDED KNIFE
L. SEITENWAND FUER VERLAENG. SCHNEIDWERKMULDE

Q 8 G

5F770R36

| MODIF. | RIF. | N° ORDIN. | DENOMINAZIONE | DESIGNATION | DENOMINACIONES | DESCRIPTION | BENENNUNG |
|--------|------|-----------|---------------------------------|------------------------|----------------------|------------------|-----------------|
| | 1 | 354.108 | ROSETTA ELASTICA | RONDELLE W | ARANDELA ELASTICA | SPRING WASHER | FEDERSCHEIBE |
| | 2 | 621.0814 | VITE | VIS | TORNILLO | SCREW | SCHRAUBE |
| | 3 | 355.00915 | RONDELLA | RONDELLE | ARANDELA | WASHER | SCHEIBE |
| | 4 | 1.31494 | PROLUNGA FIANCO D. | RALLONGE | PROLONGA | EXTENSION | VERLAENGERUNG |
| | 5 | 650.108 | DADO | ECROU | TUERCA | NUT | MÜTTER |
| | 6 | 342.510 | VITE SPECIALE | VIS SPECIAL | TORNILLO ESPECIAL | SPECIAL SCREW | SPEZIALSCHRAUBE |
| | 7 | 650.110 | DADO | ECROU | TUERCA | NUT | MÜTTER |
| | 8 | 354.110 | ROSETTA ELASTICA | RONDELLE W | ARANDELA ELASTICA | SPRING WASHER | FEDERSCHEIBE |
| | 9 | 355.01120 | RONDELLA | RONDELLE | ARANDELA | WASHER | SCHEIBE |
| | 10 | 621.1016 | VITE | VIS | TORNILLO | SCREW | SCHRAUBE |
| | 11 | 1.31495 | PIASTRA IRRIGIDIMENTO PROLUNGA | PLAQUE | PLACA | PLATE | PLATTE |
| | 12 | 342.525 | VITE SPECIALE | VIS SPECIAL | TORNILLO ESPECIAL | SPECIAL SCREW | SPEZIALSCHRAUBE |
| | 13 | 1.18675 | STAFFA SUPPORTO SLITTA MOBILE | ETRIER | ABRAZADERA | BRACKET | HALTERRAHMEN |
| | 14 | 1.34847 | FIANCO S. BARRA | FLANC G. | COSTADO IZ. | SIDE WALL, L.H. | SEITENWAND L. |
| | 15 | 433.421 | CINGHIA | COURROIE | CORREA | BELT | RIEMEN |
| | 16 | 1.31547 | PROTEZIONE CINGHIA | PROTECTEUR DE COURROIE | PROTECCION DE CORREA | BELT GUARD | RIEMENSCHUTZ |
| | 17 | 1.31548 | PIASTRINA | PLAQUETTE | PLANCHUELA | PLATE | PLAETTCHEN |
| | 18 | 355.11030 | RONDELLA | RONDELLE | ARANDELA | WASHER | SCHEIBE |
| | 19 | 621.1020 | VITE | VIS | TORNILLO | SCREW | SCHRAUBE |
| | 20 | 1.15440 | LAMIERA CONTEN. GRANELLA LATER. | TOLE ARRET GRAIN | CHAPA FRENO GRANO | GRAIN STOP PLATE | LEITBLECH |
| | 21 | 1.34483 | PROLUNGA FONDO BARRA | RALLONGE | PROLONGA | EXTENSION | VERLAENGERUNG |
| | 22 | 1.15445 | LAMIERA CONTEN. GRANELLA CENTR. | TOLE ARRET GRAIN | CHAPA FRENO GRANO | GRAIN STOP PLATE | LEITBLECH |
| | 23 | 1.35938 | PROTEZIONE CORONA | PROTECTEUR | PROTECCION | GUARD | SCHUTZBLECH |

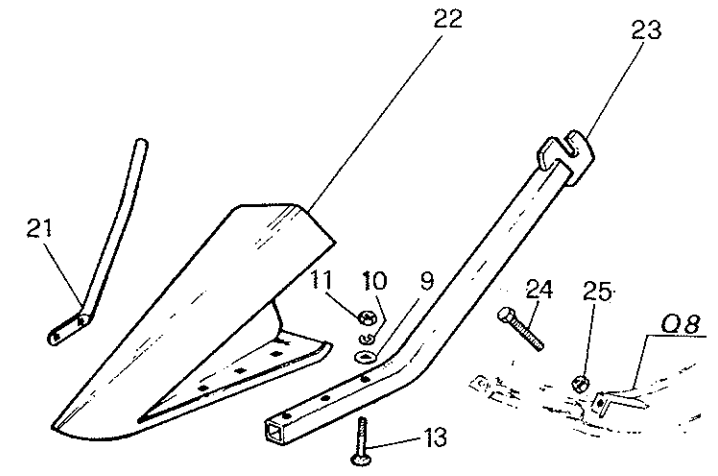
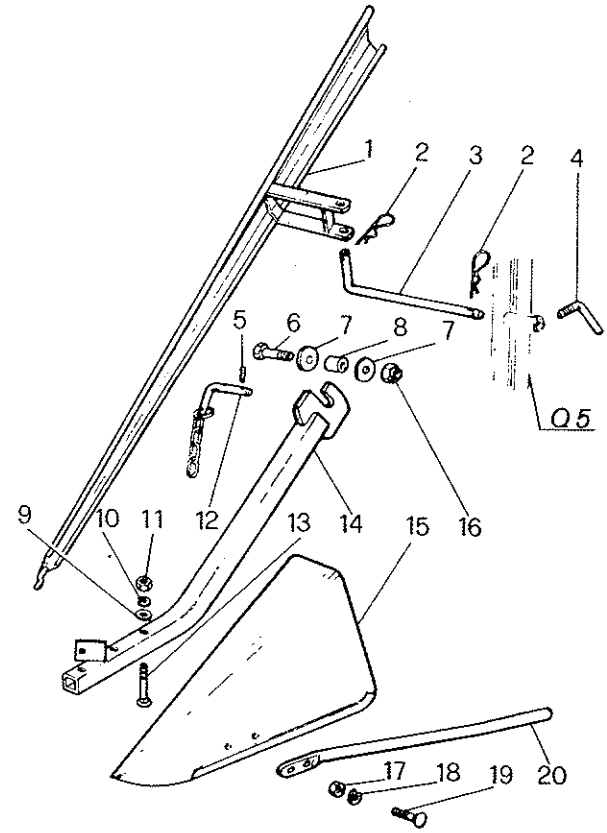
| MODIF. | RIF. | N° ORDIN. | QUANT. | NOTE |
|--------|------|-----------|--------|------|
| | 1 | 354.108 | 5 | |
| | 2 | 621.0814 | 2 | |
| | 3 | 355.00915 | 5 | |
| | 4 | 1.31494 | 1 | |
| | 5 | 650.108 | 3 | |
| | 6 | 342.510 | 3 | |
| | 7 | 650.110 | 30 | |
| | 8 | 354.110 | 38 | |
| | 9 | 355.01120 | 5 | |
| | 10 | 621.1016 | 13 | |
| | 11 | 1.31495 | 1 | |
| | 12 | 342.525 | 2 | |
| | 13 | 1.18675 | 8 | |
| | 14 | 1.34847 | 1 | |
| | 15 | 433.421 | 1 | |
| | 16 | 1.31547 | 1 | |
| | 17 | 1.31548 | 1 | |
| | 18 | 355.11030 | 54 | |
| | 19 | 621.1020 | 23 | |
| | 20 | 1.15440 | 2 | |
| | 21 | 1.35737 | 1 | |
| | 22 | 1.15454 | 1 | |
| | 23 | 1.35938 | 1 | |



| | | |
|--------------|------------------------------------------------------------------------------------------------------------------------------------------------------------------------------------------------|--------------|
| C 660 | FIANCO SINISTRO PIATTAFORMA AVANZATA FLANC G. PLATEFORME RALONGEE COSTADO IZ. PLATAFORMA ADELANTADA L.H. SIDE WALL OF EXTENDED KNIFE L. SEITENWAND FUER VERLAENG. SCHNEIDWERKMULDE | Q 8 H |
| | 6/1984 | 5F177R38 |

| MODIF. | RIF. | N° ORDIN. | DENOMINAZIONE | DESIGNATION | DENOMINACIONES | DESCRIPTION | BENENNUNG |
|--------|------|-----------|---------------------------------|------------------------|----------------------|------------------|-----------------|
| | 1 | 354.108 | ROSETTA ELASTICA | RONDELLE W | ARANDELA ELASTICA | SPRING WASHER | FEDERSCHEIBE |
| | 2 | 621.0814 | VITE | VIS | TORNILLO | SCREW | SCHRAUBE |
| | 3 | 355.00915 | RONDELLA | RONDELLE | ARANDELA | WASHER | SCHEIBE |
| | 4 | 1.31494 | PROLUNGA FIANCO D. | RALLONGE | PROLONGA | EXTENSION | VERLAENGERUNG |
| | 5 | 650.108 | DADO | ECROU | TUERCA | NUT | MUTTER |
| | 6 | 342.510 | VITE SPECIALE | VIS SPECIAL | TORNILLO ESPECIAL | SPECIAL SCREW | SPEZIALSCHRAUBE |
| | 7 | 650.110 | DADO | ECROU | TUERCA | NUT | MUTTER |
| | 8 | 354.110 | ROSETTA ELASTICA | RONDELLE W | ARANDELA ELASTICA | SPRING WASHER | FEDERSCHEIBE |
| | 9 | 355.01120 | RONDELLA | RONDELLE | ARANDELA | WASHER | SCHEIBE |
| | 10 | 621.1016 | VITE | VIS | TORNILLO | SCREW | SCHRAUBE |
| | 11 | 1.31495 | PIASTRA IRRIGIDIMENTO PROLUNGA | PLAQUE | PLACA | PLATE | PLATTE |
| | 12 | 342.525 | VITE SEPCIALE | VIS SPECIAL | TORNILLO ESPECIAL | SPECIAL SCREW | SPEZIALSCHRAUBE |
| | 13 | 1.18675 | STAFFA SUPPORTO SLITTA MOBILE | ETRIER | ABRAZADERA | BRACKET | HALTERRAHMEN |
| | 14 | 1.34847 | FIANCO S. BARRA | FLANC G. | COSTADO IZ. | SIDE WALL, L.H. | SEITENWAND L. |
| | 15 | 433.421 | CINGHIA | COURROIE | CORREA | BELT | RIEMEN |
| | 16 | 1.31547 | PROTEZIONE CINGHIA | PROTECTEUR DE COURROIE | PROTECCION DE CORREA | BELT GUARD | RIEMENSCHUTZ |
| | 17 | 1.31548 | PIASTRINA | PLAQUETTE | PLANCHUELA | PLATE | PLAETTCHEN |
| | 18 | 355.11030 | RONDELLA | RONDELLE | ARANDELA | WASHER | SCHEIBE |
| | 19 | 621.1020 | VITE | VIS | TORNILLO | SCREW | SCHRAUBE |
| | 20 | 1.15440 | LAMIERA CONTEN. GRANELLA LATER. | TOLE ARRET GRAIN | CHAPA FRENO GRANO | GRAIN STOP PLATE | LEITBLECH |
| | 21 | 1.35737 | PROLUNGA FONDO BARRA | RALLONGE | PROLONGA | EXTENSION | VERLAENGERUNG |
| | 22 | 1.15454 | LAMIERA CONTEN. GRANELLA CENTR. | TOLE ARRET GRAIN | CHAPA FRENO GRANO | GRAIN STOP PLATE | LEITBLECH |
| | 23 | 1.35938 | PROTEZIONE CORONA | PROTECTEUR | PROTECCION | GUARD | SCHUTZBLECH |

| MODIF. | RIF. | N° ORDIN. | QUANT. | NOTE |
|--------|------|-----------|--------|------|
| | 1 | 1.14877 | 1 | |
| | 2 | 441.800 | 2 | |
| | 3 | 1.14639 | 1 | |
| | 4 | 1.8310 | 1 | |
| | 5 | 378.220 | 2 | |
| | 6 | 621.1226 | 2 | |
| | 7 | 355.11230 | 4 | |
| | 8 | 415.213 | 2 | |
| | 9 | 355.11030 | 6 | |
| | 10 | 354.110 | 6 | |
| | 11 | 650.110 | 6 | |
| | 12 | 1.15792 | 2 | |
| | 13 | 600.1030 | 6 | |
| | 14 | 1.15790 | 1 | |
| | 15 | 1.15535 | 1 | |
| | 16 | 653.112 | 2 | |
| | 17 | 650.108 | 4 | |
| | 18 | 354.108 | 4 | |
| | 19 | 600.0816 | 4 | |
| | 20 | 1.15820 | 1 | |
| | 21 | 1.15821 | 1 | |
| | 22 | 1.14612 | 1 | |
| | 23 | 1.15791 | 1 | |
| | 24 | 621.1230 | 2 | |
| | 25 | 650.112 | 2 | |



C 310 C 480
C 360 C 540
C 420 C 600
C 660

SPARTITORI FLOTTANTI
 DIVISEURS MOBILES
 DIVISORES FLOTANTES
 FLOATING DIVIDERS
 SCHWANKENDE HALMTEILER

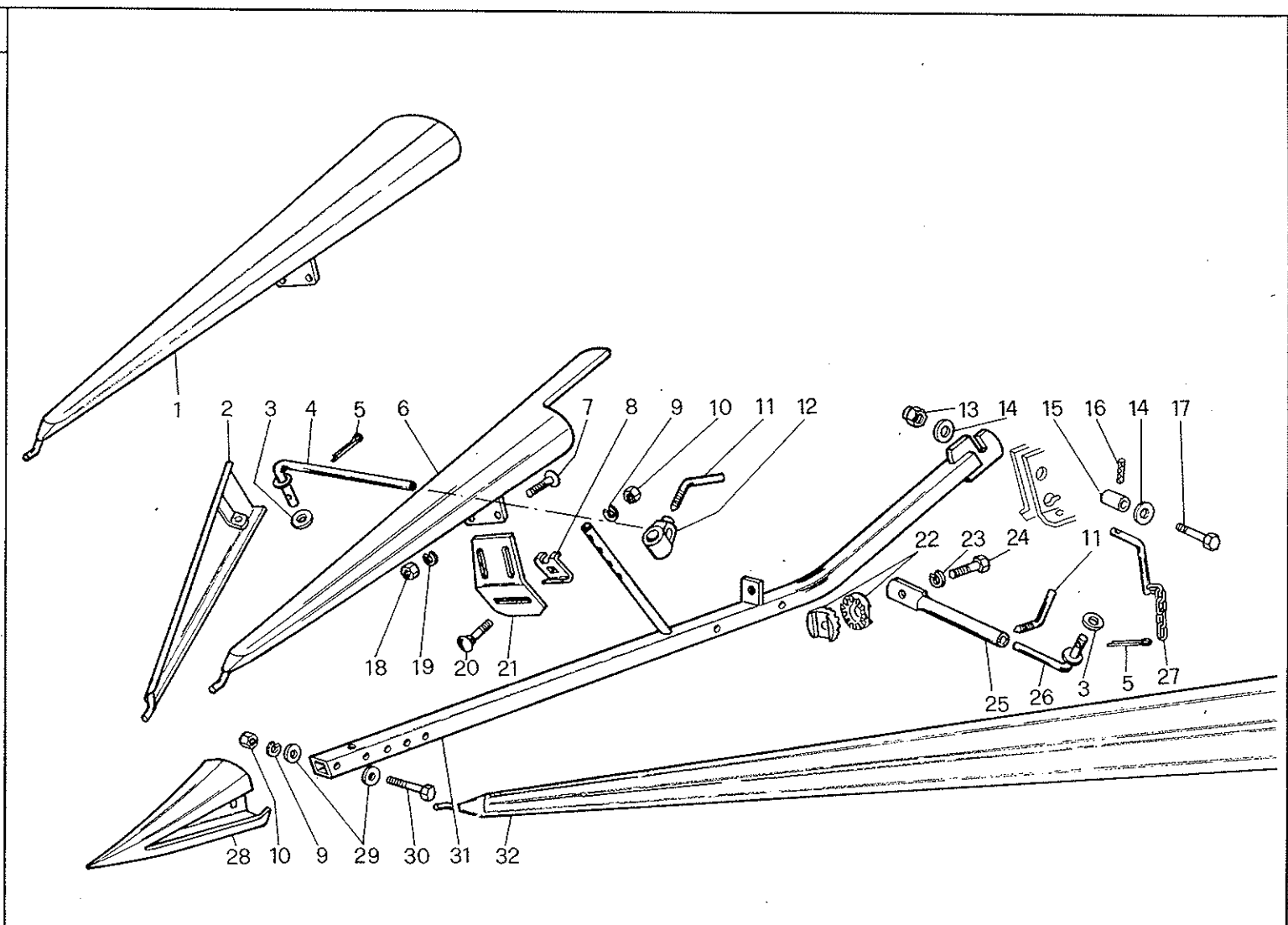
Q 9 A

5F150F01

2/1983

| MODIF. | RIF. | N° ORDIN. | DENOMINAZIONE | DESIGNATION | DENOMINACIONES | DESCRIPTION | BENENNUNG |
|--------|------|-----------|---------------------------------|--------------------|-------------------|--------------------|-------------------|
| | 1 | 1.14877 | DIVISORE D. | ECARTEUR D. | DIVISOR DE. | DIVIDER, R.H. | AUSSENABWEISER R. |
| | 2 | 441.800 | CHIAVISTELLO | GOUPILLE RAPIDE | PASADOR | SPRING CLIP | FEDERRIEGEL |
| | 3 | 1.14639 | PERNO D. DIVISORE | AXE D. | EJE DE. | PIN, R.H. | BOLZEN R. |
| | 4 | 1.8310 | PERNO | AXE | EJE | PIN | BOLZEN |
| | 5 | 378.220 | SPINA ELASTICA | GOUPILLE ELASTIQUE | PASADOR | ROLL PIN | SPANNUELSE |
| | 6 | 621.1226 | VITE | VIS | TORNILLO | SCREW | SCHRAUBE |
| | 7 | 355.11230 | RONDELLA | RONDELLE | ARANDELA | WASHER | SCHLEIBE |
| | 8 | 415.213 | DISTANZIATORE | ENTRETOISE | ESPACIADOR | SPACER | DISTANZBUECHSE |
| | 9 | 355.11030 | RONDELLA | RONDELLE | ARANDELA | WASHER | SCHLEIBE |
| | 10 | 354.110 | ROSETTA ELASTICA | RONDELLE W | ARANDELA ELASTICA | SPRING WASHER | FEDERSCHLEIBE |
| | 11 | 650.110 | DADO | ECROU | TUERCA | NUT | MUTTER |
| | 12 | 1.15792 | CHIAVISTELLO RITEGNO SPARTITORI | VERROU | PASADOR | BOLT | RIEGEL |
| | 13 | 600.1030 | VITE | VIS | TORNILLO | SCREW | SCHRAUBE |
| | 14 | 1.15790 | BRACCIO SPARTITORE D. | BRAS D. | BRAZO DE. | ARM, R.H. | ARM R. |
| | 15 | 1.15535 | SPARTITORE FLOTTANTE D. | DIVISEUR D. | DIVISOR DE. | DIVIDER, R.H. | HALMTEILER R. |
| | 16 | 653.112 | DADO | ECROU | TUERCA | NUT | MUTTER |
| | 17 | 650.108 | DADO | ECROU | TUERCA | NUT | MUTTER |
| | 18 | 354.108 | ROSETTA ELASTICA | RONDELLE W | ARANDELA ELASTICA | SPRING WASHER | FEDERSCHLEIBE |
| | 19 | 600.0816 | VITE | VIS | TORNILLO | SCREW | SCHRAUBE |
| | 20 | 1.15820 | DEVIATORE D. | DEFECTEUR D. | DEFLECTOR DE. | CROP DIVIDER, R.H. | HALMTEILER R. |
| | 21 | 1.15821 | DEVIATORE S. | DEFECTEUR G. | DEFLECTOR IZ. | CROP DIVIDER, L.H. | HALMTEILER L. |
| | 22 | 1.14612 | SPARTITORE FLOTTANTE S. | DIVISEUR G. | DIVISOR IZ. | DIVIDER, L.H. | HALMTEILER R. |
| | 23 | 1.15791 | BRACCIO SPARTITORE S. | BRAS G. | BRAZO IZ. | ARM, L.H. | ARM L. |
| | 24 | 621.1230 | VITE | VIS | TORNILLO | SCREW | SCHRAUBE |
| | 25 | 650.112 | DADO | ECROU | TUERCA | NUT | MUTTER |

| MODIF. | RIF. | N° ORDIN. | QUANT. | NOTE |
|--------|------|-----------|--------|------|
| | 1 | 1.31731 | 1 | |
| | 2 | 1.31730 | 2 | |
| | 3 | 355.01630 | 4 | |
| | 4 | 1.31300 | 2 | |
| | 5 | 377.430 | 4 | |
| | 6 | 1.31732 | 1 | |
| | 7 | 342.511 | 4 | |
| | 8 | 1.31737 | 2 | |
| | 9 | 354.110 | 6 | |
| | 10 | 650.110 | 6 | |
| | 11 | 1.8310 | 4 | |
| | 12 | 1.31735 | 2 | |
| | 13 | 653.112 | 2 | |
| | 14 | 355.11230 | 4 | |
| | 15 | 415.213 | 2 | |
| | 16 | 378.220 | 2 | |
| | 17 | 621.1226 | 2 | |
| | 18 | 650.108 | 4 | |
| | 19 | 354.108 | 4 | |
| | 20 | 600.1024 | 2 | |
| | 21 | 1.31736 | 2 | |
| | 22 | 2.3250 | 4 | |
| | 23 | 354.112 | 2 | |
| | 24 | 626.1224 | 2 | |
| | 25 | 1.31733 | 2 | |
| | 26 | 1.31734 | 2 | |
| | 27 | 1.15792 | 2 | |
| | 28 | 1.31298 | 2 | |
| | 29 | 355.01120 | 8 | |
| | 30 | 611.1032 | 4 | |
| | 31 | 1.31728 | 2 | |
| | 32 | 1.31729 | 2 | |



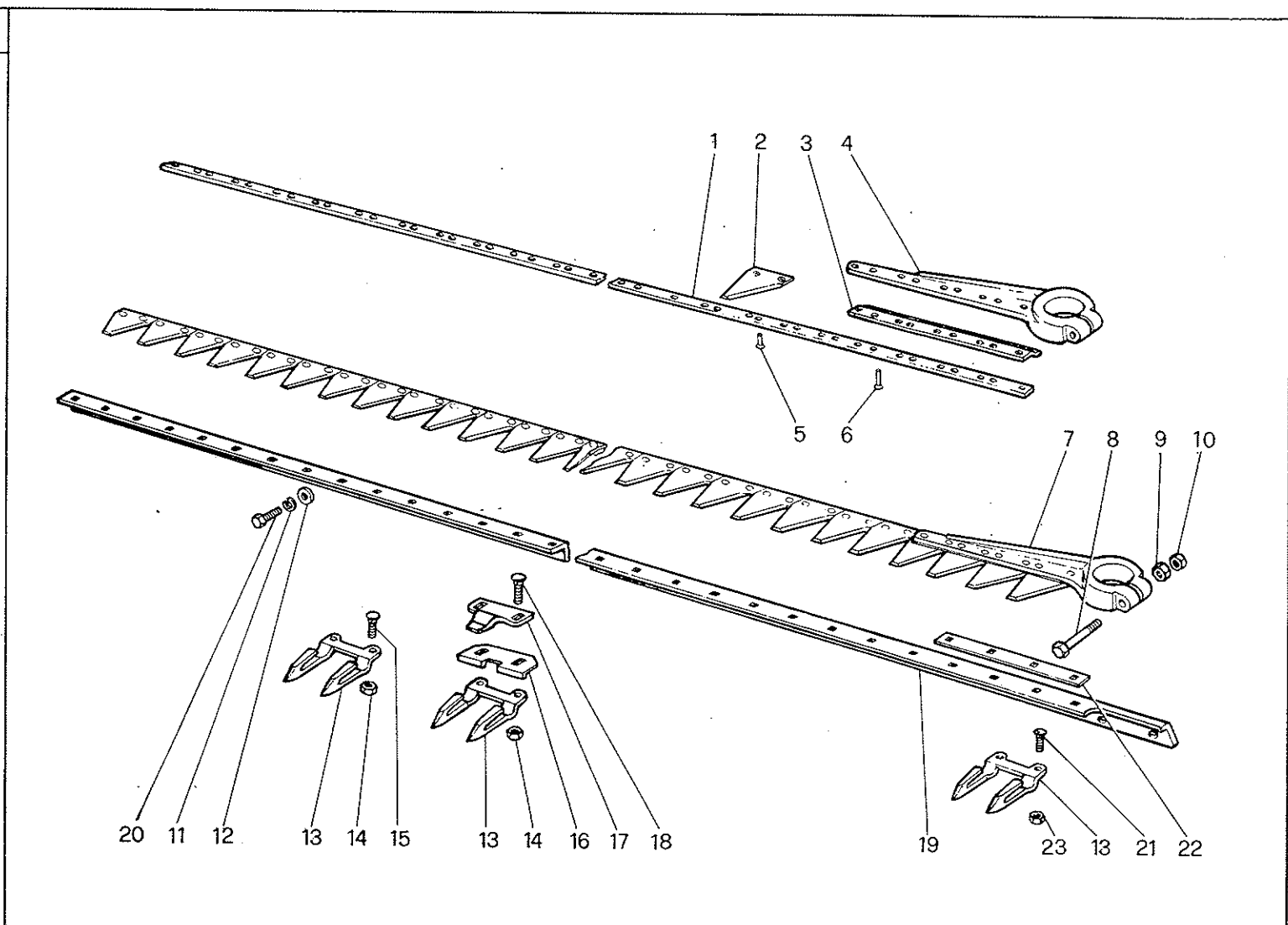
C 310 C 480
C 360 C 540
C 420 C 600
C 660
 2/1983

SPARTITORI TORPEDO
 DIVISEURS TORPEDO
 DIVISORES ESPECIALES
 TORPEDO DIVIDERS
 TORPEDO HALMTEILER

Q 9 B
 5F150F09

| MODIF. | RIF. | N° ORDIN. | DENOMINAZIONE | DESIGNATION | DENOMINACIONES | DESCRIPTION | BENENNUNG |
|--------|------|-----------|-------------------------------------|---------------------|---------------------|-----------------------|----------------------|
| | 1 | 1.31731 | DEVIATORE CENTRALE D. | DIVISEUR CENTRAL D. | DIVISOR CENTRAL DE. | CENTRAL DIVIDER, R.H. | ZENTRALHALMTEILER R. |
| | 2 | 1.31730 | DEVIATORE INTERNO | DIVISEUR INT. | DIVISOR INT. | INNER DIVIDER | INNENHALMTEILER |
| | 3 | 355.01630 | RONDELLA | RONDELLE | ARANDELA | WASHER | SCHIBE |
| | 4 | 1.31300 | SPINA ANCORAGGIO DEVIATORE | AXE | PASADOR | PIN | BOLZEN |
| | 5 | 377.430 | COPIGLIA | GOUPILLE | PASADOR ABIERTO | COTTER PIN | SPLINT |
| | 6 | 1.31732 | DEVIATORE CENTRALE S. | DIVISEUR CENTRAL G. | PASADOR CENTRAL IZ. | CENTRAL DIVIDER, L.H. | ZENTRALHALMTEILER L. |
| | 7 | 342.511 | VITE | VIS | TORNILLO | SCREW | SCHRAUBE |
| | 8 | 1.31737 | PIASTRINA DI FERMO DEVIATORE | PLAQUETTE | PLANCHUELA | PLATE | PLAETTCHEN |
| | 9 | 354.110 | ROSETTA ELASTICA | RONDELLE W | ARANDELA ELASTICA | SPRING WASHER | FEDERSCHIBE |
| | 10 | 650.110 | DADO | ECROU | TUERCA | NUT | MUTTER |
| | 11 | 1.8310 | MANETTINO | MANETTE | MANILLA | LOCKING NUT | GRIFFMUTTER |
| | 12 | 1.31735 | MORSETTO DEVIATORE INTERNO | COLLIER | ABRAZADERA | CLAMP | SHELLE |
| | 13 | 653.112 | DADO | ECROU | TUERCA | NUT | MUTTER |
| | 14 | 355.11230 | RONDELLA | RONDELLE | ARANDELA | WASHER | SCHIBE |
| | 15 | 415.213 | DISTANZIATORE | ENTRETOISE | ESPACIADOR | SPACER | DISTANZBUCHSE |
| | 16 | 378.220 | SPINA ELASTICA | GOUPILLE ELAST. | PASADOR | ROLL PIN | SPANNUELSE |
| | 17 | 621.1226 | VITE | VIS | TORNILLO | SCREW | SCHRAUBE |
| | 18 | 650.108 | DADO | ECROU | TUERCA | NUT | MUTTER |
| | 19 | 354.108 | ROSETTA ELASTICA | RONDELLE W | ARANDELA ELASTICA | SPRING WASHER | FEDERSCHIBE |
| | 20 | 600.1024 | VITE | VIS | TORNILLO | SCREW | SCHRAUBE |
| | 21 | 1.31736 | PIASTRINA DI REGOLAZIONE | PLAQUETTE | PLANCHUELA | PLATE | PLAETTCHEN |
| | 22 | 2.3250 | RONDELLA DENTATA REGOLAZ. DEVIATORI | RONDELLE | ARANDELA | WASHER | SCHIBE |
| | 23 | 354.112 | ROSETTA ELASTICA | RONDELLE W | ARANDELA ELASTICA | SPRING WASHER | FEDERSCHIBE |
| | 24 | 626.1224 | VITE | VIS | TORNILLO | SCREW | SCHRAUBE |
| | 25 | 1.31733 | BRACCIO SUPPORTO DEVIATORE | BRAS | BRAZO | ARM | ARM |
| | 26 | 1.31734 | SPINA ANCORAGGIO DEVIATORE LATERALE | AXE | PASADOR | PIN | BOLZEN |
| | 27 | 1.15792 | CHIAVISTELLO RITEGNO SPARTITORE | GOUPILLE RAPIDE | PASADOR | SPRING CLIP | VORSTECKER |
| | 28 | 1.31298 | PUNTA SPARTITORE | POINTE | PUNTA | POINT | SPITZE |
| | 29 | 355.01120 | RONDELLA | RONDELLE | ARANDELA | WASHER | SCHIBE |
| | 30 | 611.1032 | VITE | VIS | TORNILLO | SCREW | SCHRAUBE |
| | 31 | 1.31728 | BRACCIO SPARTITORE | BRAS DIVISEUR | BRAZO DIVISOR | DIVIDER ARM | HALMTEILERARM |
| | 32 | 1.31729 | DEVIATORE LATERALE | DIVISEUR LATERALE | DIVISOR LATERALE | LATERAL DIVIDER | SEITENHALMTEILER |

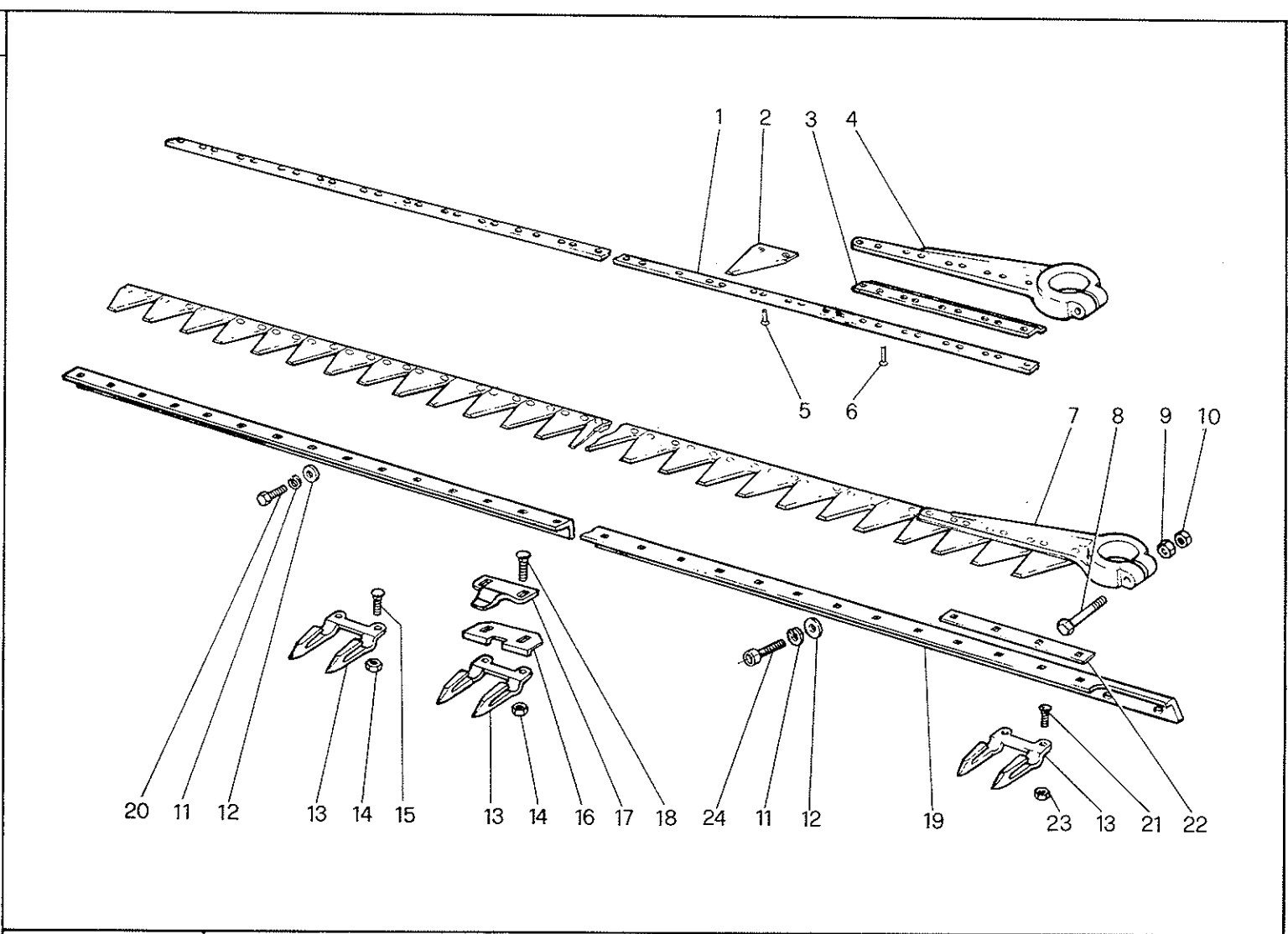
| MODIF. | RIF. | N° ORDIN. | QUANT. | NOTE |
|--------|------|------------|--------|------|
| | 1 | 1.14585.60 | (1) | |
| | 2 | 443.003 | (49) | |
| | 3 | 1.14586.62 | (1) | |
| | 4 | 1.14586.60 | (1) | |
| | 5 | 371.314 | (89) | |
| | 6 | 371.328 | (9) | |
| | 7 | 1.14585 | 1 | |
| | 8 | 611.1032 | 1 | |
| | 9 | 650.110 | 1 | |
| | 10 | 650.210 | 1 | |
| | 11 | 354.110 | 11 | |
| | 12 | 355.11030 | 11 | |
| | 13 | 1.8961.30 | 21 | |
| | 14 | 350.007 | 38 | |
| | 15 | 342.630 | 18 | |
| | 16 | 1.12140 | 10 | |
| | 17 | 1.9116 | 10 | |
| | 18 | 342.635 | 22 | |
| | 19 | 1.25794 | 1 | |
| | 20 | 630.1020 | 11 | |
| | 21 | 342.530 | 4 | |
| | 22 | 1.14593 | 1 | |
| | 23 | 650.010 | 4 | |



| | | |
|--------------|------------------------------------------------------------------------------------------|---------------|
| C 310 | BARRA DI TAGLIO BARRE DE COUPE PLATAFORMA DE CORTE CUTTING TABLE SCHNEIDWERK | Q 10 A |
| | 6/1984 | 5F750A04 |

| MODIF. | REF. | N° ORDIN. | DENOMINAZIONE | DESIGNATION | DENOMINACIONES | DESCRIPTION | BENENNUNG |
|--------|------|------------|----------------------------|-------------------|-------------------|------------------|-------------------|
| | 1 | 1.14585.60 | ASTA PORTA SEZIONI | VERGE | HASTA HORADADA | BORED ROD | MESSELRUECKEN |
| | 2 | 443.003 | SEZIONE LAMA | SECTION FAUCILLEE | SEGMENTO CUCHILLA | KNIFE SECTION | MESSERKLINGE |
| | 3 | 1.14586.62 | PIASTRA CONSUMO TESTA LAMA | PLAQUE D'USURE | CHAPITA DESGASTE | WEAR PLATE | REIBPLATTE |
| | 4 | 1.14586.60 | TESTA LAMA | TETE DE LAME | CABEZA CUCHILLA | KNIFE HEAD | MESSERKOPF |
| | 5 | 371.314 | RIBATTINO T.P.S. | RIVET | REMACHE | RIVET | NIETE |
| | 6 | 371.328 | RIBATTINO T.P.S. | RIVET | REMACHE | RIVET | NIETE |
| | 7 | 1.14585 | LAMA DI TAGLIO | LAME | CICHILLA | KNIFE | MAEHMESSER |
| | 8 | 611.1032 | VITE | VIS | TORNILLO | SCREW | SCHRAUBE |
| | 9 | 650.110 | DADO | ECROU | TUERCA | NUT | MUTTER |
| | 10 | 650.210 | DADO | ECROU | TUERCA | NUT | MUTTER |
| | 11 | 354.110 | ROSETTA ELASTICA | RONDELLE W | ARANDELA ELASTICA | SPRING WASHER | FEDERSCHEIBE |
| | 12 | 355.11030 | RONDELLA | RONDELLE | ARANDELA | WASHER | SCHEIBE |
| | 13 | 1.8961.30 | DENTE PARALAMA | DOIGT DE LAME | DIENTE | CUTTERBAR FINGER | SCHNEIDWERKFINGER |
| | 14 | 350.007 | DADO | ECROU | TUERCA | NUT | MUTTER |
| | 15 | 342.630 | VITE SPECIALE | VIS SPECIAL | TORNILLO ESPECIAL | SPECIAL SCREW | SPEZIALSCHRAUBE |
| | 16 | 1.12140 | PIASTRA DI CONSUMO | PLAQUE D'USURE | CHAPITA DESGASTE | WEAR PLATE | REIBPLATTE |
| | 17 | 1.9116 | PREMILAMA | PINCE-LAME | PIEZA DE AJUSTE | KNIFE CLIP | MESSERDAUMEN |
| | 18 | 342.635 | VITE SPECIALE | VIS SPECIAL | TORNILLO ESPECIAL | SPECIAL SCREW | SPEZIALSCHRAUBE |
| | 19 | 1.25794 | ANGOLARE PORTADENTI | CORNIERE | ANGULAR | KNIFE-BAR | MESSERBALKEN |
| | 20 | 630.1020 | VITE | VIS | TORNILLO | SCREW | SCHRAUBE |
| | 21 | 342.530 | VITE SPECIALE | VIS SPECIAL | TORNILLO ESPECIAL | SPECIAL SCREW | SPEZIALSCHRAUBE |
| | 22 | 1.14593 | PIASTRA DI CONSUMO | PLAQUE D'USURE | CHAPITA DESGASTE | WEAR PLATE | REIBPLATTE |
| | 23 | 650.010 | DADO | ECROU | TUERCA | NUT | MUTTER |

| MODIF. | RIF. | N° ORDIN. | QUANT. | NOTE |
|--------|------|------------|--------|------|
| | 1 | 1.14586.60 | (1) | |
| | 2 | 443.003 | (49) | |
| | 3 | 1.14586.62 | (1) | |
| | 4 | 1.14586.60 | (1) | |
| | 5 | 371.314 | (89) | |
| | 6 | 371.328 | (9) | |
| | 7 | 1.14586 | 1 | |
| | 8 | 611.1032 | 1 | |
| | 9 | 650.110 | 1 | |
| | 10 | 650.210 | 1 | |
| | 11 | 354.110 | 13 | |
| | 12 | 355.11030 | 13 | |
| | 13 | 1.8961.30 | 24 | |
| | 14 | 350.007 | 44 | |
| | 15 | 342.630 | 22 | |
| | 16 | 1.12140 | 11 | |
| | 17 | 1.9116 | 11 | |
| | 18 | 342.635 | 22 | |
| | 19 | 1.31951 | 1 | |
| | 20 | 621.1020 | 11 | |
| | 21 | 342.530 | 4 | |
| | 22 | 1.14593 | 1 | |
| | 23 | 650.010 | 4 | |
| | 24 | 630.1020 | 2 | |



C 360

6/1984

BARRA DI TAGLIO
 BARRE DE COUPE
 PLATAFORMA DE CORTE
 CUTTING TABLE
 SCHNEIDWERK

Q 10 B

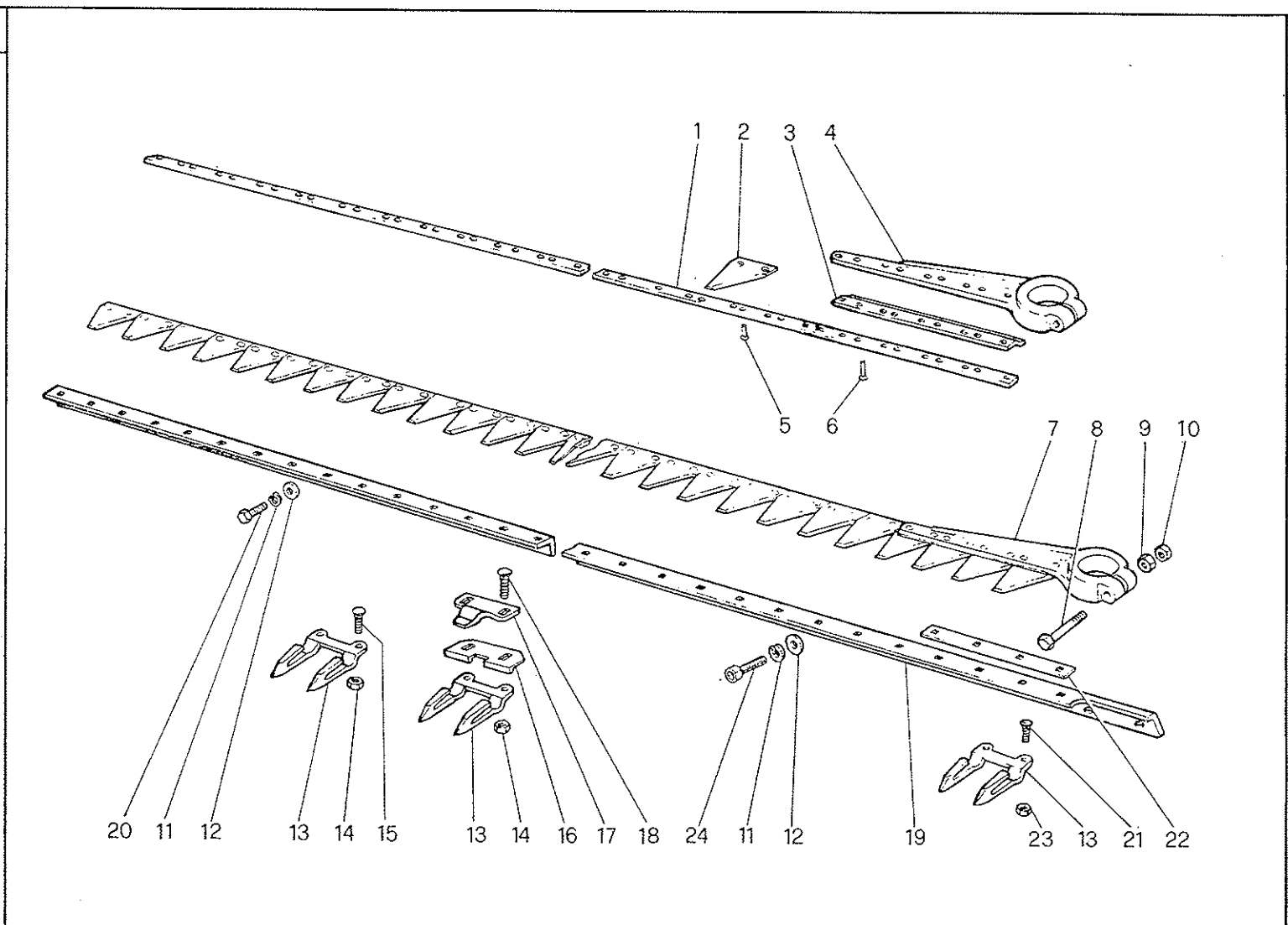
5F750A06

Q 10 B

LAVERDA

| MODIF. | RIF. | N° ORDIN. | DENOMINAZIONE | DESIGNATION | DENOMINACIONES | DESCRIPTION | BENENNUNG |
|--------|------|------------|----------------------------|-------------------|-------------------|------------------|-------------------|
| | 1 | 1.14586.60 | ASTA PORTA SEZIONI | VERGE | HASTA HORADADA | BORED ROD | MESSELRUECKEN |
| | 2 | 443.003 | SEZIONE LAMA | SECTION FAUCILLEE | SEGMENTO CUCHILLA | KNIFE SECTION | MESSERKLINGE |
| | 3 | 1.14586.62 | PIASTRA CONSUMO TESTA LAMA | PLAQUE D'USURE | CHAPITA DESGASTE | WEAR PLATE | REIBPLATTE |
| | 4 | 1.14586.60 | TESTA LAMA | TETE DE LAME | CABEZA CUCHILLA | KNIFE HEAD | MESSERKOPF |
| | 5 | 371.314 | RIBATTINO T.P.S. | RIVET | REMACHE | RIVET | NIETE |
| | 6 | 371.328 | RIBATTINO T.P.S. | RIVET | REMACHE | RIVET | NIETE |
| | 7 | 1.14586 | LAMA DI TAGLIO | LAME | CUCHILLA | KNIFE | MAEHMESSER |
| | 8 | 611.1032 | VITE | VIS | TORNILLO | SCREW | SCHRAUBE |
| | 9 | 650.110 | DADO | ECROU | TUERCA | NUT | MUTTER |
| | 10 | 650.210 | DADO | ECROU | TUERCA | NUT | MUTTER |
| | 11 | 354.110 | ROSETTA ELASTICA | RONDELLE W | ARANDELA ELASTICA | SPRING WASHER | FEDERSCHEIBE |
| | 12 | 355.11030 | RONDELLA | RONDELLE | ARANDELA | WASHER | SCHEIBE |
| | 13 | 1.8961.30 | DENTE PARALAMA | DOIGT DE LAME | DIENTE | CUTTERBAR FINGER | SCHNEIDWERKFINGER |
| | 14 | 350.007 | DADO | ECROU | TUERCA | NUT | MUTTER |
| | 15 | 342.630 | VITE SPECIALE | VIS SPECIAL | TORNILLO ESPECIAL | SPECIAL SCREW | SPEZIALSCHRAUBE |
| | 16 | 1.12140 | PIASTRA DI CONSUMO | PLAQUE D'USURE | CHAPITA DESGASTE | WEAR PLATE | REIBPLATTE |
| | 17 | 1.9116 | PREMILAMA | PINCE-LAME | PIEZA DE AJUSTE | KNIFE CLIP | MESSERDAUMEN |
| | 18 | 342.635 | VITE SPECIALE | VIS SPECIAL | TORNILLO ESPECIAL | SPECIAL SCREW | SPEZIALSCHRAUBE |
| | 19 | 1.31951 | ANGOLARE PORTADENTI | CORNIERE | ANGULAR | KNIFE-BAR | MESSERBALKEN |
| | 20 | 621.1020 | VITE | VIS | TORNILLO | SCREW | SCHRAUBE |
| | 21 | 342.530 | VITE SPECIALE | VIS SPECIAL | TORNILLO ESPECIAL | SPECIAL SCREW | SPEZIALSCHRAUBE |
| | 22 | 1.14593 | PIASTRA DI CONSUMO | PLAQUE D'USURE | CHAPITA DESGASTE | WEAR PLATE | REIBPLATTE |
| | 23 | 650.010 | DADO | ECROU | TUERCA | NUT | MUTTER |
| | 24 | 630.1020 | VITE | VIS | TORNILLO | SCREW | SCHRAUBE |

| MODIF. | RIF. | N° ORDIN. | QUANT. | NOTE |
|--------|------|------------|--------|------|
| | 1 | 1.14587.60 | (1) | |
| | 2 | 443.003 | (57) | |
| | 3 | 1.14586.62 | (1) | |
| | 4 | 1.14586.60 | (1) | |
| | 5 | 371.314 | (105) | |
| | 6 | 371.328 | (9) | |
| | 7 | 1.14587 | 1 | |
| | 8 | 611.1032 | 1 | |
| | 9 | 650.110 | 1 | |
| | 10 | 650.210 | 1 | |
| | 11 | 354.110 | 15 | |
| | 12 | 355.11030 | 15 | |
| | 13 | 1.8961.30 | 28 | |
| | 14 | 350.007 | 52 | |
| | 15 | 342.630 | 26 | |
| | 16 | 1.12140 | 13 | |
| | 17 | 1.9116 | 13 | |
| | 18 | 342.635 | 26 | |
| | 19 | 1.31946 | 1 | |
| | 20 | 621.1020 | 13 | |
| | 21 | 342.530 | 4 | |
| | 22 | 1.14593 | 1 | |
| | 23 | 650.010 | 4 | |
| | 24 | 630.1020 | 2 | |



C 420

6/1984

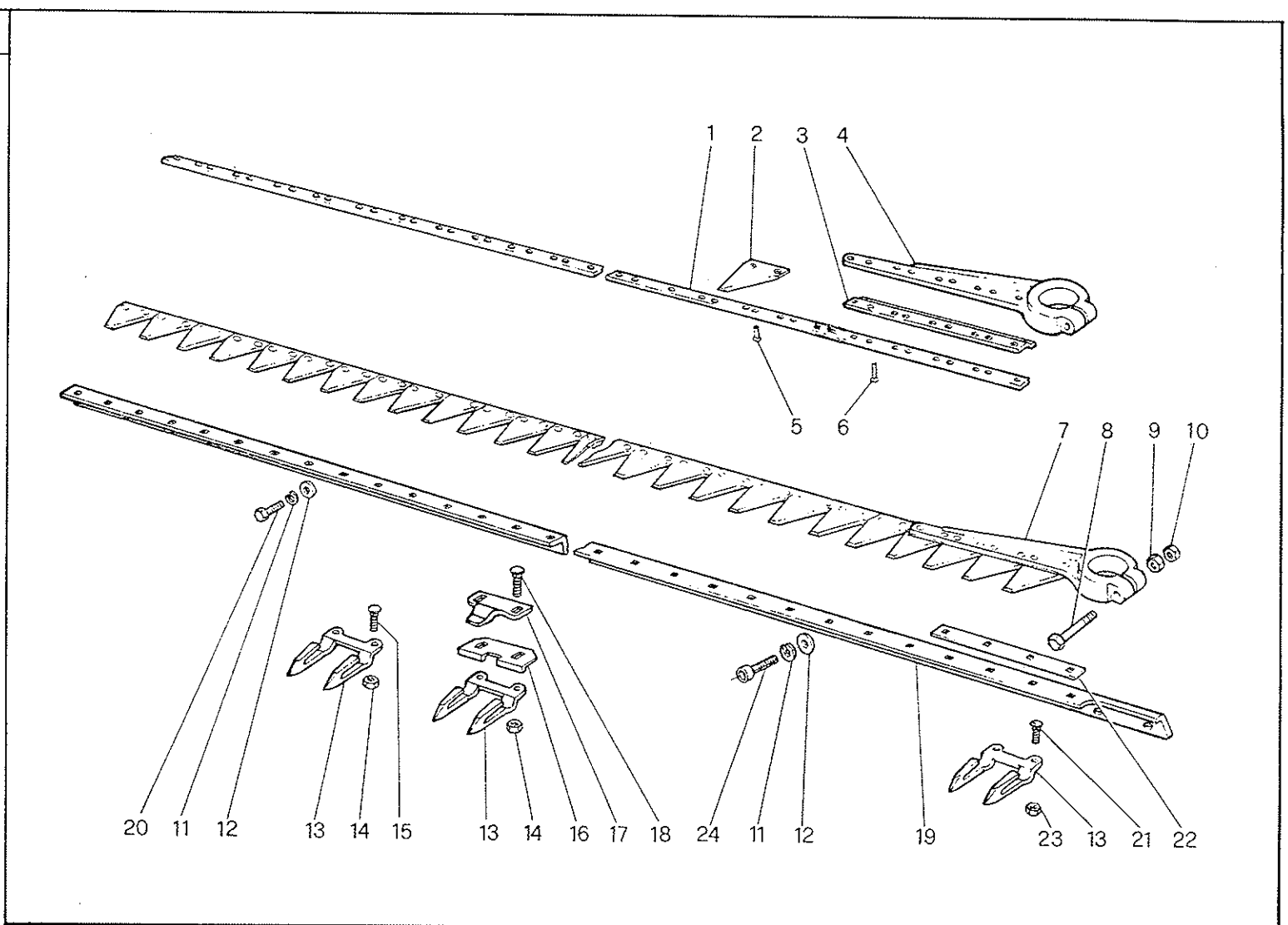
BARRA DI TAGLIO
 BARRE DE COUPE
 PLATAFORMA DE CORTE
 CUTTING TABLE
 SCHNEIDWERK

Q 10 D

5F750A10

| MODIF. | RIF. | N° ORDIN. | DENOMINAZIONE | DESIGNATION | DENOMINACIONES | DESCRIPTION | BENENNUNG |
|--------|------|------------|----------------------------|-------------------|-------------------|------------------|-------------------|
| | 1 | 1.14587.60 | ASTA PORTA SEZIONI | VERGE | HASTA HORADADA | BORED ROD | MESSELRUECKEN |
| | 2 | 443.003 | SEZIONE LAMA | SECTION FAUCILLEE | SEGMENTO CUCHILLA | KNIFE SECTION | MESSEKKLINGE |
| | 3 | 1.14586.62 | PIASTRA CONSUMO TESTA LAMA | PLAQUE D'USURE | CHAPITA DESGASTE | WEAR PLATE | REIBPLATTE |
| | 4 | 1.14586.60 | TESTA LAMA | TETE DE LAME | CABEZA CUCHILLA | KNIFE HEAD | MESSEKROPF |
| | 5 | 371.314 | RIBATTINO T.P.S. | RIVET | REMACHE | RIVET | NIETE |
| | 6 | 371.328 | RIBATTINO T.P.S. | RIVET | REMACHE | RIVET | NIETE |
| | 7 | 1.14587 | LAMA DI TAGLIO | LAME | CUCHILLA | KNIFE | MAEHMESSER |
| | 8 | 611.1032 | VITE | VIS | TORNILLO | SCREW | SCHRAUBE |
| | 9 | 650.110 | DADO | ECROU | TUERCA | NUT | MUTTER |
| | 10 | 650.210 | DADO | ECROU | TUERCA | NUT | MUTTER |
| | 11 | 354.110 | ROSETTA ELASTICA | RONDELLE W | ARANDELA ELASTICA | SPRING WASHER | FEDERSCHEIBE |
| | 12 | 355.11030 | RONDELLA | RONDELLE | ARANDELA | WASHER | SCHIEBE |
| | 13 | 1.8961.30 | DENTE PARALAMA | DOIGT DE LAME | DIENTE | CUTTERBAR FINGER | SCHNEIDWERKFINGER |
| | 14 | 350.007 | DADO | ECROU | TUERCA | NUT | MUTTER |
| | 15 | 342.630 | VITE SPECIALE | VIS SPECIAL | TORNILLO ESPECIAL | SPECIAL SCREW | SPEZIALSCHRAUBE |
| | 16 | 1.12140 | PIASTRA DI CONSUMO | PLAQUE D'USURE | CHAPITA DESGASTE | WEAR PLATE | REIBPLATTE |
| | 17 | 1.9116 | PREMILAMA | PINE-LAME | PIEZA DE AJUSTE | KNIFE CLIP | MESSEKDAUMEN |
| | 18 | 342.635 | VITE SPECIALE | VIS SPECIAL | TORNILLO ESPECIAL | SPECIAL SCREW | SPEZIALSCHRAUBE |
| | 19 | 1.31946 | ANGOLARE PORTADENTI | CORNIERE | ANGULAR | KNIFE-BAR | MESSEKALKEN |
| | 20 | 621.1020 | VITE | VIS | TORNILLO | SCREW | SCHRAUBE |
| | 21 | 342.530 | VITE SPECIALE | VIS SPECIALE | TORNILLO ESPECIAL | SPECIAL SCREW | SPEZIALSCHRAUBE |
| | 22 | 1.14593 | PIASTRA DI CONSUMO | PLAQUE D'USURE | CHAPITA DESGASTE | WEAR PLATE | REIBPLATTE |
| | 23 | 650.010 | DADO | ECROU | TUERCA | NUT | MUTTER |
| | 24 | 630.1020 | VITE | VIS | TORNILLO | SCREW | SCHRAUBE |

| MODIF. | RIF. | N° ORDIN. | QUANT. | NOTE |
|--------|------|------------|--------|------|
| | 1 | 1.14588.60 | (1) | |
| | 2 | 443.003 | (65) | |
| | 3 | 1.14586.62 | (1) | |
| | 4 | 1.14586.60 | (1) | |
| | 5 | 371.314 | (121) | |
| | 6 | 371.328 | (9) | |
| | 7 | 1.14588 | 1 | |
| | 8 | 611.1032 | 1 | |
| | 9 | 650.110 | 1 | |
| | 10 | 650.210 | 1 | |
| | 11 | 354.110 | 17 | |
| | 12 | 355.11030 | 17 | |
| | 13 | 1.8961.30 | 32 | |
| | 14 | 350.007 | 60 | |
| | 15 | 342.630 | 30 | |
| | 16 | 1.12140 | 15 | |
| | 17 | 1.9116 | 15 | |
| | 18 | 342.635 | 30 | |
| | 19 | 1.32576 | 1 | |
| | 20 | 621.1020 | 15 | |
| | 21 | 342.530 | 4 | |
| | 22 | 1.14593 | 1 | |
| | 23 | 650.010 | 4 | |
| | 24 | 630.1020 | 2 | |



C 480

6/1984

BARRA DI TAGLIO
 BARRE DE COUPE
 PLATAFORMA DE CORTE
 CUTTING TABLE
 SCHNEIDWERK

Q 10 E

5F750A12

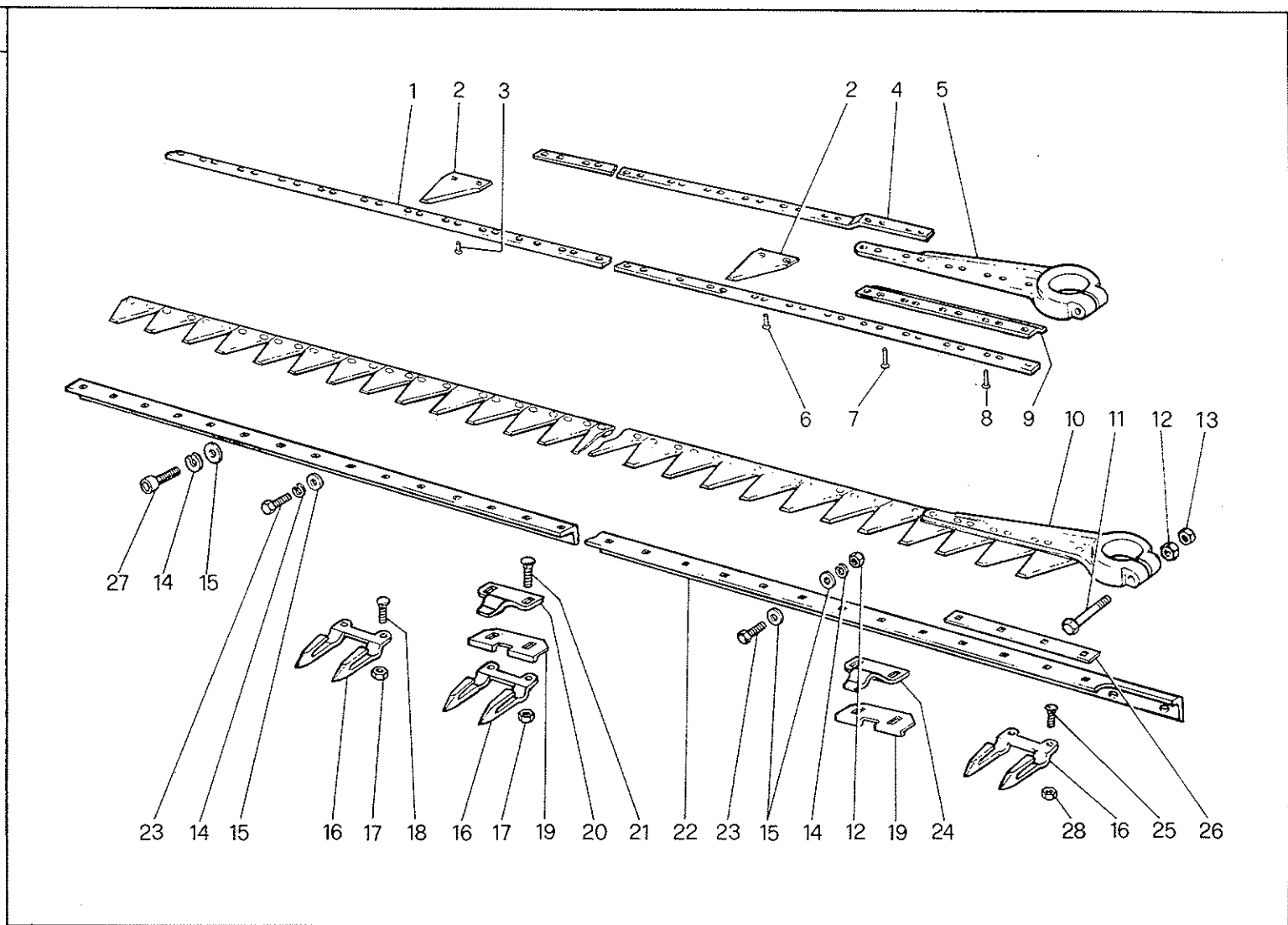
| MODIF. | RIF. | N° ORDIN. | DENOMINAZIONE | DESIGNATION | DENOMINACIONES | DESCRIPTION | BENENNUNG |
|--------|------|------------|----------------------------|-------------------|-------------------|------------------|-------------------|
| | 1 | 1.14588.60 | ASTA PORTA SEZIONI | VERGE | HASTA HORADADA | BORED ROD | MESSELRUECKEN |
| | 2 | 443.003 | SEZIONE LAMA | SECTION FAUCILLEE | SEGMENTO CUCHILLA | KNIFE SECTION | MESSERKLINGE |
| | 3 | 1.14586.62 | PIASTRA CONSUMO TESTA LAMA | PLAQUE D'USURE | CHAPITA DESGASTE | WEAR PLATE | REIBPLATTE |
| | 4 | 1.14586.60 | TESTA LAMA | TETE DE LAME | CABEZA CUCHILLA | KNIFE HEAD | MESSERKOPF |
| | 5 | 371.314 | RIBATTINO T.P.S. | RIVET | REMACHE | RIVET | NIETE |
| | 6 | 371.328 | RIBATTINO T.P.S. | RIVET | REMACHE | RIVET | NIETE |
| | 7 | 1.14588 | LAMA DI TAGLIO | LAME | CUCHILLA | KNIFE | MAEHMESSER |
| | 8 | 611.1032 | VITE | VIS | TORNILLO | SCREW | SCHRAUBE |
| | 9 | 650.110 | DADO | ECROU | TUERCA | NUT | MUTTER |
| | 10 | 650.210 | DADO | ECROU | TUERCA | NUT | MUTTER |
| | 11 | 354.110 | ROSETTA ELASTICA | RONDELLE W | ARANDELA ELASTICA | SPRING WASHER | FEDERSCHEIBE |
| | 12 | 355.11030 | RONDELLA | RONDELLE | ARANDELA | WASHER | SCHEIBE |
| | 13 | 1.8961.30 | DENTE PARALAMA | DOIGT DE LAME | DIENTE | CUTTERBAR FINGER | SCHNEIDWERKFINGER |
| | 14 | 350.007 | DADO | ECROU | TUERCA | NUT | MUTTER |
| | 15 | 342.630 | VITE SPECIALE | VIS SPECIAL | TORNILLO ESPECIAL | SPECIAL SCREW | SPEZIALSCHRAUBE |
| | 16 | 1.12140 | PIASTRA DI CONSUMO | PLAQUE D'USURE | CHAPITA DESGASTE | WEAR PLATE | REIBPLATTE |
| | 17 | 1.9116 | PREMILAMA | PINCE-LAME | PIEZA DE AJUSTE | KNIFE CLIP | MESSERDAUMEN |
| | 18 | 342.635 | VITE SPECIALE | VIS SPECIAL | TORNILLO ESPECIAL | SPECIAL SCREW | SPEZIALSCHRAUBE |
| | 19 | 1.32576 | ANGOLARE PORTADENTI | CORNIERE | ANGULAR | KNIFE-BAR | MESSERBALKEN |
| | 20 | 621.1020 | VITE | VIS | TORNILLO | SCREW | SCHRAUBE |
| | 21 | 342.530 | VITE SPECIALE | VIS SPECIAL | TORNILLO ESPECIAL | SPECIAL SCREW | SPEZIALSCHRAUBE |
| | 22 | 1.14593 | PIASTRA DI CONSUMO | PLAQUE D'USURE | CHAPITA DESGASTE | WEAR PLATE | REIBPLATTE |
| | 23 | 650.010 | DADO | ECROU | TUERCA | NUT | MUTTER |
| | 24 | 630.1020 | VITE | VIS | TORNILLO | SCREW | SCHRAUBE |

| MODIF. | RIF. | N° ORDIN. | QUANT. | NOTE |
|--------|------|------------|--------|------|
| | 1 | 1.14589.60 | (1) | |
| | 2 | 443.003 | (73) | |
| | 3 | 371.314 | (99) | |
| | 4 | 1.14589.61 | (1) | |
| | 5 | 1.14586.60 | (1) | |
| | 6 | 371.317 | (38) | |
| | 7 | 371.334 | (4) | |
| | 8 | 371.328 | (5) | |
| | 9 | 1.14586.62 | (1) | |
| | 10 | 1.14589 | 1 | |
| | 11 | 611.1032 | 1 | |
| | 12 | 650.110 | 1 | |
| | 13 | 650.210 | 1 | |
| | 14 | 354.110 | 19 | |
| | 15 | 355.11030 | 19 | |
| | 16 | 1.8961.30 | 36 | |
| | 17 | 359.007 | 68 | |
| | 18 | 342.630 | 34 | |
| | 19 | 1.12140 | 17 | |
| | 20 | 1.9116 | 12 | |
| | 21 | 342.635 | 34 | |
| | 22 | 1.32577 | 1 | |
| | 23 | 621.1020 | 17 | |
| | 24 | 1.14969 | 5 | |
| | 25 | 342.530 | 4 | |
| | 26 | 1.14593 | 1 | |
| | 27 | 630.1020 | 2 | |
| | 28 | 650.010 | 4 | |

| | | |
|--------------|------------------------------------------------------------------------------------------|---------------|
| C 540 | BARRA DI TAGLIO BARRE DE COUPE PLATAFORMA DE CORTE CUTTING TABLE SCHNEIDWERK | Q 10 F |
| | 6/1984 | 5F750A14 |

| MODIF. | RIF. | N° ORDIN. | DENOMINAZIONE | DESIGNATION | DENOMINACIONES | DESCRIPTION | BENENNUNG |
|--------|------|------------|-------------------------------|-------------------|-------------------|------------------|-------------------|
| | 1 | 1.14589.60 | ASTA PORTA SEZIONI | VERGE | HASTA HORADADA | BORED ROD | MESSELRUECKEN |
| | 2 | 443.003 | SEZIONE LAMA | SECTION FAUCILLEE | SEGMENTO CUCHILLA | KNIFE SECTION | MESSERKLINGE |
| | 3 | 371.314 | RIBATTINO T.P.S. | RIVET | REMACHE | RIVET | NIETE |
| | 4 | 1.14589.61 | IRRIGIDIMENTO LAMA DI TAGLIO | RAIDISSEUR | REFUERZO | STIFFENER | STREBE |
| | 5 | 1.14586.60 | TESTA DI LAMA | TETE DE LAME | CABEZA CUCHILLA | KNIFE HEAD | MESSERKOPF |
| | 6 | 371.317 | RIBATTINO T.P.S. | RIVET | REMACHE | RIVET | NIETE |
| | 7 | 371.334 | RIBATTINO T.P.S. | RIVET | REMACHE | RIVET | NIETE |
| | 8 | 371.328 | RIBATTINO T.P.S. | RIVET | REMACHE | RIVET | NIETE |
| | 9 | 1.14586.62 | PIASTRA CONSUMO TESTA DI LAMA | PLAQUE D'USURE | CHAPITA DESGASTE | WEAR PLATE | REIBPLATTE |
| | 10 | 1.14589 | LAMA DI TAGLIO | LAME | CUCHILLA | KNIFE | MAEHMESSER |
| | 11 | 611.1032 | VITE | VIS | TORNILLO | SCREW | SCHRAUBE |
| | 12 | 650.110 | DADO | ECROU | TUERCA | NUT | MUTTER |
| | 13 | 650.210 | DADO | ECROU | TUERCA | NUT | MUTTER |
| | 14 | 354.110 | ROSETTA ELASTICA | RONDELLE W | ARANDELA ELASTICA | SPRING WASHER | FEDERSCHEIBE |
| | 15 | 355.11030 | RONDELLA | RONDELLE | ARANDELA | WASHER | SCHIEBE |
| | 16 | 1.8961.30 | DENTE PARALAMA | DOIGT DE LAME | DIENTE | CUTTERBAR FINGER | SCHNEIDWERKFINGER |
| | 17 | 350.007 | DADO | ECROU | TUERCA | NUT | MUTTER |
| | 18 | 342.630 | VITE SPECIALE | VIS SPECIAL | TORNILLO ESPECIAL | SPECIAL SCREW | SPEZIALSCHRAUBE |
| | 19 | 1.12140 | PIASTRA DI CONSUMO | PLAQUE D'USURE | CHAPITA DESGASTE | WEAR PLATE | REIBPLATTE |
| | 20 | 1.9116 | PREMILAMA | PINCE-LAME | PIEZA DE AJUSTE | KNIFE CLIP | MESSERDAUMEN |
| | 21 | 342.635 | VITE SPECIALE | VIS SPECIAL | TORNILLO ESPECIAL | SPECIAL SCREW | SPEZIALSCHRAUBE |
| | 22 | 1.32577 | ANGOLARE PORTADENTI | CORNIERE | ANGULAR | KNIFE-BAR | MESSERBALKEN |
| | 23 | 621.1020 | VITE | VIS | TORNILLO | SCREW | SCHRAUBE |
| | 24 | 1.14969 | PREMILAMA DI TESTA | PINCE-LAME TETE | PIEZA DE AJUSTE | KNIFE HAED CLIP | MESSERDAUMEN |
| | 25 | 342.530 | VITE SPECIALE | VIS SPECIAL | TORNILLO ESPECIAL | SPECIAL SCREW | SPEZIALSCHRAUBE |
| | 26 | 1.14593 | PIASTRA DI CONSUMO | PLAQUE D'USURE | CHAPITA DESGASTE | WEAR PLATE | REIBPLATTE |
| | 27 | 630.1020 | VITE | VIS | TORNILLO | SCREW | SCHRAUBE |
| | 28 | 650.010 | DADO | ECROU | TUERCA | NUT | MUTTER |

| MODIF. | RIF. | N° ORDIN. | QUANT. | NOTE |
|--------|------|------------|--------|------|
| | 1 | 1.14590.60 | (1) | |
| | 2 | 443.003 | (81) | |
| | 3 | 371.314 | (115) | |
| | 4 | 1.14589.61 | (1) | |
| | 5 | 1.14586.60 | (1) | |
| | 6 | 371.317 | (38) | |
| | 7 | 371.334 | (4) | |
| | 8 | 371.328 | (5) | |
| | 9 | 1.14586.62 | (1) | |
| | 10 | 1.14590 | 1 | |
| | 11 | 611.1032 | 1 | |
| | 12 | 650.110 | 1 | |
| | 13 | 650.210 | 1 | |
| | 14 | 354.110 | 21 | |
| | 15 | 355.11030 | 21 | |
| | 16 | 1.8961.30 | 40 | |
| | 17 | 350.007 | 76 | |
| | 18 | 342.630 | 38 | |
| | 19 | 1.12140 | 19 | |
| | 20 | 1.9116 | 14 | |
| | 21 | 342.635 | 38 | |
| | 22 | 1.32578 | 1 | |
| | 23 | 621.1020 | 19 | |
| | 24 | 1.14969 | 5 | |
| | 25 | 342.530 | 4 | |
| | 26 | 1.14593 | 1 | |
| | 27 | 630.1020 | 2 | |
| | 28 | 650.010 | 4 | |



| | | |
|--------------|------------------------------------------------------------------------------------------|----------|
| C 600 | BARRA DI TAGLIO BARRE DE COUPE PLATAFORMA DE CORTE CUTTING TABLE SCHNEIDWERK | Q 10 G |
| | 6/1984 | 5F750A16 |

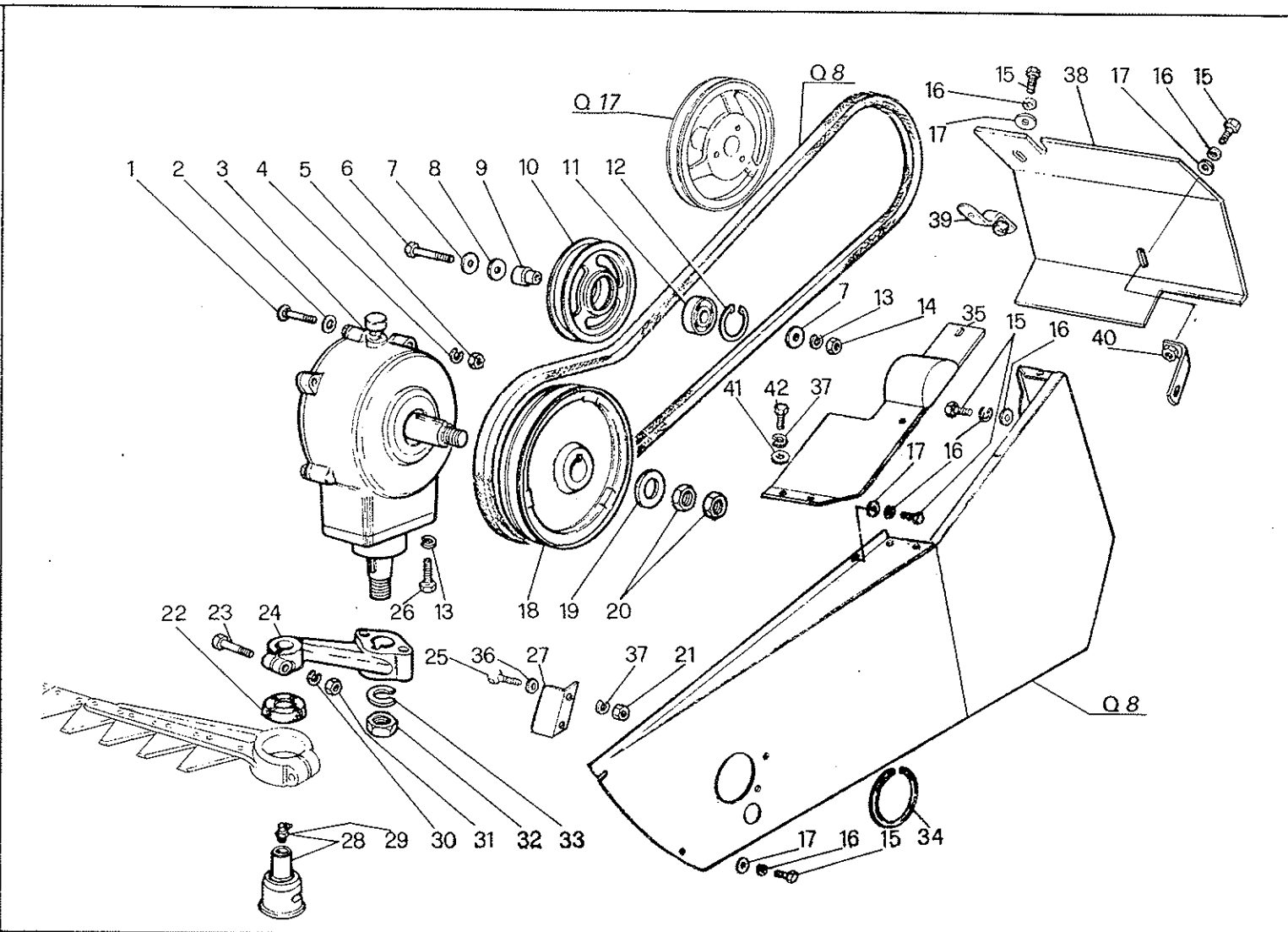
| MODIF. | RIF. | N° ORDIN. | DENOMINAZIONE | DESIGNATION | DENOMINACIONES | DESCRIPTION | BENENNUNG |
|--------|------|------------|------------------------------|-------------------|-------------------|------------------|-------------------|
| | 1 | 1.14590.60 | ASTA PORTA SEZIONI | VERGE | HASTA HORADADA | BORED ROD | MESSELRUECKEN |
| | 2 | 443.003 | SEZIONE DI LAMA | SECTION FAUCILLEE | SEGMENTO CUCHILLA | KNIFE SECTION | MESSERKLINGE |
| | 3 | 371.314 | RIBATTINO T.P.S. | RIVET | REMACHE | RIVET | NIETE |
| | 4 | 1.14589.61 | IRRIGIDIMENTO LAMA DI TAGLIO | RAIDISSEUR | REFUERZO | STIFFENER | STREBE |
| | 5 | 1.14586.60 | TESTA DI LAMA | TETE DE LAME | CABEZA CUCHILLA | KNIFE HEAD | MESSERKOPF |
| | 6 | 371.317 | RIBATTINO T.P.S. | RIVET | REMACHE | RIVET | NIETE |
| | 7 | 371.334 | RIBATTINO T.P.S. | RIVET | REMACHE | RIVET | NIETE |
| | 8 | 371.328 | RIBATTINO T.P.S. | RIVET | REMACHE | RIVET | NIETE |
| | 9 | 1.14586.62 | PIASTRA CONSUMO TESTA LAMA | PLAQUE D'USURE | CHAPITA DESGASTE | WEAR PLATE | REIBPLATTE |
| | 10 | 1.14590 | LAMA DI TAGLIO | LAME | CUCHILLA | KNIFE | MAEHMESSER |
| | 11 | 611.1032 | VITE | VIS | TORNILLO | SCREW | SCHRAUBE |
| | 12 | 650.110 | DADO | ECROU | TUERCA | NUT | MUTTER |
| | 13 | 650.210 | DADO | ECROU | TUERCA | NUT | MUTTER |
| | 14 | 354.110 | ROSETTA ELASTICA | RONDELLE W | ARANDELA ELASTICA | SPRING WASHER | FEDERSCHEIBE |
| | 15 | 355.11030 | RONDELLA | RONDELLE | ARANDELA | WASHER | SCHIBE |
| | 16 | 1.8961.30 | DENTE PARALAMA | DOIGT DE LAME | DIENTE | CUTTERBAR FINGER | SCHNEIDWERKFINGER |
| | 17 | 350.007 | DADO | ECROU | TUERCA | NUT | MUTTER |
| | 18 | 342.630 | VITE SPECIALE | VIS SPECIAL | TORNILLO ESPECIAL | SPECIAL SCREW | SPEZIALSCHRAUBE |
| | 19 | 1.12140 | PIASTRA DI CONSUMO | PLAQUE D'USURE | CHAPITA DESGASTE | WEAR PLATE | REIBPLATTE |
| | 20 | 1.9116 | PREMILAMA | PINCE-LAME | PIEZA DE AJUSTE | KNIFE CLIP | MESSERDAUMEN |
| | 21 | 342.635 | VITE SPECIALE | VIS SPECIAL | TORNILLO ESPECIAL | SPECIAL SCREW | SPEZIALSCHRAUBE |
| | 22 | 1.32578 | ANGOLARE PORTADENTI | CORNIERE | ANGULAR | KNIFE-BAR | MESSERBALKEN |
| | 23 | 621.1020 | VITE | VIS | TORNILLO | SCREW | SCHRAUBE |
| | 24 | 1.14969 | PREMILAMA DI TESTA | PINCE-LAME TETE | PIEZA DE AJUSTE | KNIFE HEAD CLIP | MESSERDRUECKER |
| | 25 | 342.530 | VITE SPECIALE | VIS SPECIAL | TORNILLO ESPECIAL | SPECIAL SCREW | SPEZIALSCHRAUBE |
| | 26 | 1.14593 | PIASTRA DI CONSUMO | PLAQUE D'USURE | CHAPITA DESGASTE | WEAR PLATE | REIBPLATTE |
| | 27 | 630.1020 | VITE | VIS | TORNILLO | SCREW | SCHRAUBE |
| | 28 | 650.010 | DADO | ECROU | TUERCA | NUT | MUTTER |

| MODIF. | RIF. | N° ORDIN. | QUANT. | NOTE |
|--------|------|------------|--------|------|
| | 1 | 1.14590.60 | (1) | |
| | 2 | 443.003 | (81) | |
| | 3 | 371.314 | (115) | |
| | 4 | 1.14589.61 | (1) | |
| | 5 | 1.14586.60 | (1) | |
| | 6 | 371.317 | (38) | |
| | 7 | 371.334 | (4) | |
| | 8 | 371.328 | (5) | |
| | 9 | 1.14586.62 | (1) | |
| | 10 | 1.14591 | 1 | |
| | 11 | 611.1032 | 1 | |
| | 12 | 650.110 | 3 | |
| | 13 | 650.210 | 1 | |
| | 14 | 354.110 | 23 | |
| | 15 | 355.11030 | 25 | |
| | 16 | 1.8961.30 | 44 | |
| | 17 | 350.007 | 84 | |
| | 18 | 342.630 | 42 | |
| | 19 | 1.12140 | 21 | |
| | 20 | 1.9116 | 16 | |
| | 21 | 342.635 | 42 | |
| | 22 | 1.35668 | 1 | |
| | 23 | 621.1020 | 21 | |
| | 24 | 1.14969 | 5 | |
| | 25 | 342.530 | 4 | |
| | 26 | 1.14593 | 1 | |
| | 27 | 630.1020 | 2 | |
| | 28 | 650.010 | 4 | |

| | | |
|--------------|------------------------------------------------------------------------------------------|---------------|
| C 660 | BARRA DI TAGLIO BARRE DE COUPE PLATAFORMA DE CORTE CUTTING TABLE SCHNEIDWERK | Q 10 H |
| | | 5F750A18 |
| 6/1984 | | |

| MODIF. | RIE | N° ORDIN. | DENOMINAZIONE | DESIGNATION | DENOMINACIONES | DESCRIPTION | BENENNUNG |
|--------|-----|------------|------------------------------|-------------------|-------------------|------------------|-------------------|
| | 1 | 1.14590.60 | ASTA PORTA SEZIONI | VERGE | HASTA HORADADA | BORED ROD | MESSELRUECKEN |
| | 2 | 443.003 | SEZIONE DI LAMA | SECTION FAUCILLEE | SEGMENTO CUCHILLA | KNIFE SECTION | MESSERKLINGE |
| | 3 | 371.314 | RIBATTINO T.P.S. | RIVET | REMACHE | RIVET | NIETE |
| | 4 | 1.14589.61 | IRRIGIDIMENTO LAMA DI TAGLIO | RAIDISSEUR | REFUERZO | STIFFENER | STREBE |
| | 5 | 1.14586.60 | TESTA DI LAMA | TETE DE LAME | CABEZA CUCHILLA | KNIFE HEAD | MESSERKOPF |
| | 6 | 371.317 | RIBATTINO T.P.S. | RIVET | REMACHE | RIVET | NIETE |
| | 7 | 371.334 | RIBATTINO T.P.S. | RIVET | REMACHE | RIVET | NIETE |
| | 8 | 371.328 | RIBATTINO T.P.S. | RIVET | REMACHE | RIVET | NIETE |
| | 9 | 1.14586.62 | PIASTRA CONSUMO TESTA LAMA | PLAQUE D'USURE | CHAPITA D'ESGASTE | WEAR PLATE | REIBPLATTE |
| | 10 | 1.14591 | LAMA DI TAGLIO | LAME | CUCHILLA | KNIFE | MAEHMESSER |
| | 11 | 611.1032 | VITE | VIS | TORNILLO | SCREW | SCHRAUBE |
| | 12 | 650.110 | DADO | ECROU | TUERCA | NUT | MUTTER |
| | 13 | 650.210 | DADO | ECROU | TUERCA | NUT | MUTTER |
| | 14 | 354.110 | ROSETTA ELASTICA | RONDELLE W | ARANDELA ELASTICA | SPRING WASHER | FEDERSCHEIBE |
| | 15 | 355.11030 | RONDELLA | RONDELLE | ARANDELA | WASHER | SCHIEBE |
| | 16 | 1.8961.30 | DENTE PARALAMA | DOIGT DE LAME | DIENTE | CUTTERBAR FINGER | SCHNEIDWERKFINGER |
| | 17 | 350.007 | DADO | ECROU | TUERCA | NUT | MUTTER |
| | 18 | 342.630 | VITE SPECIALE | VIS SPECIAL | TORNILLO ESPECIAL | SPECIAL SCREW | SPEZIALSCHRAUBE |
| | 19 | 1.12140 | PIASTRA DI CONSUMO | PLAQUE D'USURE | CHAPITA DESGASTE | WEAR PLATE | REIBPLATTE |
| | 20 | 1.9116 | PREMILAMA | PINCE-LAME | PIEZA DE AJUSTE | KNIFE CLIP | MESSERDRUECKER |
| | 21 | 342.635 | VITE SPECIALE | VIS SPECIAL | TORNILLO ESPECIAL | SPECIAL SCREW | SPEZIALSCHRAUBE |
| | 22 | 1.35668 | ANGOLARE PORTADENTI | CORNIERE | ANGULAR | KNIFE BAR | MESSERBALKEN |
| | 23 | 621.1020 | VITE | VIS | TORNILLO | SCREW | SCHRAUBE |
| | 24 | 1.14969 | PREMILAMA DI TESTA | PINCE-LAME TETE | PIEZA DE AJUSTE | KNIFE HEAD CLIP | MESSERDRUECKER |
| | 25 | 342.530 | VITE SPECIALE | VIS SPECIAL | TORNILLO ESPECIAL | SPECIAL SCREW | SPEZIALSCHRAUBE |
| | 26 | 1.14593 | PIASTRA DI CONSUMO | PLAQUE D'USURE | CHAPITA DESGASTE | WEAR PLATE | REIBPLATTE |
| | 27 | 630.1020 | VITE | VIS | TORNILLO | SCREW | SCHRAUBE |
| | 28 | 650.010 | DADO | ECROU | TUERCA | NUT | MUTTER |

| MODIF. | RIF. | N° ORDIN. | QUANT. | NOTE |
|--------|------|------------|--------|------|
| | 1 | 600.1028 | 2 | |
| | 2 | 355.01530 | 2+4 | |
| | 3 | 1.14361.00 | 1 | |
| | 4 | 354.110 | 5 | |
| | 5 | 650.110 | 2 | |
| | 6 | 616.1230 | 1 | |
| | 7 | 355.11230 | 2 | |
| | 8 | 355.11260 | 1 | |
| | 9 | 1.4763 | 1 | |
| | 10 | 1.5677 | 1 | |
| | 11 | 401.525 | 1 | |
| | 12 | 357.052 | 1 | |
| | 13 | 354.112 | 5 | |
| | 14 | 650.612 | 1 | |
| | 15 | 621.0814 | 6 | |
| | 16 | 354.108 | 6 | |
| | 17 | 355.10820 | 6 | |
| | 18 | 1.14364 | 1 | |
| | 19 | 355.34350 | 1 | |
| | 20 | 650.720 | 2 | |
| | 21 | 650.106 | 2 | |
| | 22 | 1.14631 | 1 | |
| | 23 | 616.1428 | 1 | |
| | 24 | 1.14494 | 1 | |
| | 25 | 621.0612 | 6 | |
| | 26 | 622.1224 | 4 | |
| | 27 | 1.31621 | 1 | |
| | 28 | 1.14410.00 | 1 | |
| | 29 | 357.852 | (1) | |
| | 30 | 354.114 | 1 | |
| | 31 | 650.614 | 1 | |
| | 32 | 650.630 | 1 | |
| | 33 | 354.530 | 1 | |
| | 34 | 1.15683 | 1 | |
| | 35 | 1.34521 | 1 | |
| | 36 | 355.10615 | 6 | |
| | 37 | 354.106 | 6 | |
| | 38 | 1.34474 | 1 | |
| | 39 | 1.15978 | 1 | |
| | 40 | 1.15979 | 1 | |



C 310 C 480
C 360 C 540
C 420 C 600
C 660

2/1983

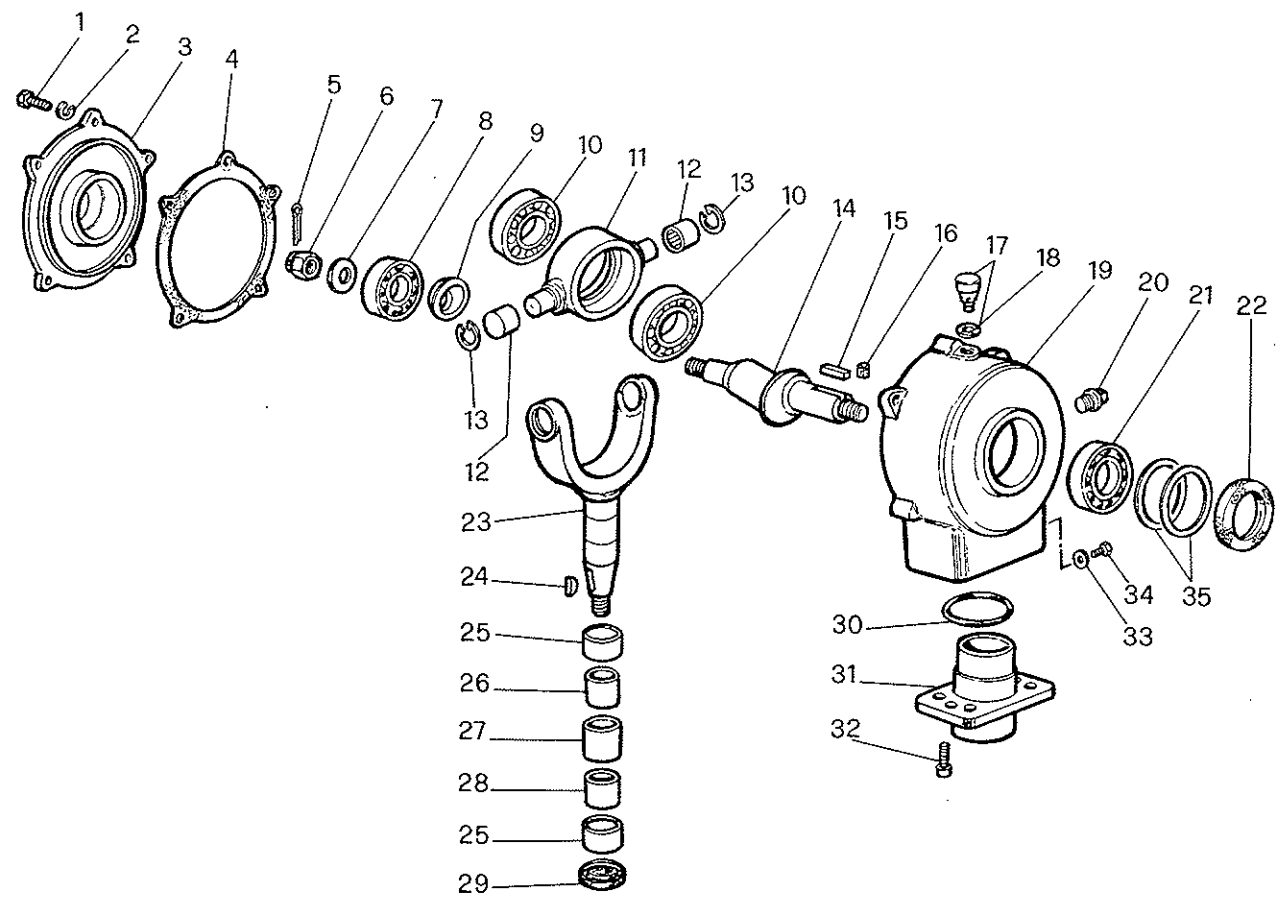
COMANDO LAMA
 COMMANDE DE LAME
 MANDO CUCHILLA
 KNIFE DRIVE
 MESSERANTRIEB

Q 11

5F790A07
 5F790A00

| MODIF. | RIF. | N° ORDIN. | DENOMINAZIONE | DESIGNATION | DENOMINACIONES | DESCRIPTION | BENENNUNG |
|--------|------|------------|--------------------------------|------------------|--------------------|--------------------|----------------|
| | 1 | 600.1028 | VITE | VIS | TORNILLO | SCREW | SCHRAUBE |
| | 2 | 355.01530 | RONDELLA | RONDELLE | ARANDELA | WASHER | SCHIEBE |
| | 3 | 1.14361.00 | COMPL. SCATOLA CONVERTITORE | BOITIER CPT | CONJUNTO CAJA | GEAR BOX, ASSY | GEHAEUSE KPL |
| | 4 | 354.110 | ROSETTA ELASTICA | RONDELLE W | ARANDELA ELASTICA | SPRING WASHER | FEDERSCHIEBE |
| | 5 | 650.110 | DADO | ECROU | TUERCA | NUT | MUTTER |
| | 6 | 616.1230 | VITE | VIS | TORNILLO | SCREW | SCHRAUBE |
| | 7 | 355.11230 | RONDELLA | RONDELLE | ARANDELA | WASHER | SCHIEBE |
| | 8 | 355.11260 | RONDELLA | RONDELLE | ARANDELA | WASHER | SCHIEBE |
| | 9 | 1.4763 | BOCCOLA DISTANZIATRICE | BAGUE | CASQUILLO | BUSH | BUECHSE |
| | 10 | 1.5677 | TENDICINGHIA | TENDEUR | TENSOR | TENSIONER | SPANNROLLE |
| | 11 | 401.525 | CUSCINETTO | ROULEMENT | RODAMIENTO | BEARING | LAGER |
| | 12 | 357.052 | ANELLO ELASTICO | CIRCLIPS | ANILLO ELASTICO | CIRCLIP | SICHERUNGSRING |
| | 13 | 354.112 | ROSETTA ELASTICA | RONDELLE W | ARANDELA ELASTICA | SPRING WASHER | FEDERSCHIEBE |
| | 14 | 650.612 | DADO | ECROU | TUERCA | NUT | MUTTER |
| | 15 | 621.0814 | VITE | VIS | TORNILLO | SCREW | SCHRAUBE |
| | 16 | 354.108 | ROSETTA ELASTICA | RONDELLE W | ARANDELA ELASTICA | SPRING WASHER | FEDERSCHIEBE |
| | 17 | 355.10820 | RONDELLA | RONDELLE | ARANDELA | WASHER | SCHIEBE |
| | 18 | 1.14364 | PULEGGIA CONVERTITORE | POULIE | POLEA | PULLEY | RIEMENSCHIEBE |
| | 19 | 355.34350 | RONDELLA | RONDELLE | ARANDELA | WASHER | SCHIEBE |
| | 20 | 650.720 | DADO | ECROU | TUERCA | NUT | MUTTER |
| | 21 | 650.106 | DADO | ECROU | TUERCA | NUT | MUTTER |
| | 22 | 1.14631 | GUARNIZIONE SNODO SFERICO | JOINT | JUNTA | GASKET | DICHTUNG |
| | 23 | 616.1428 | VITE | VIS | TORNILLO | SCREW | SCHRAUBE |
| | 24 | 1.14494 | LEVA COMANDO LAMA | LEVIER | PALANCA | LEVER | HEBEL |
| | 25 | 621.0612 | VITE | VIS | TORNILLO | SCREW | SCHRAUBE |
| | 26 | 621.1224 | VITE | VIS | TORNILLO | SCREW | SCHRAUBE |
| | 27 | 1.31621 | PROTEZIONE COMANDO LAMA | PROTECTEUR | PROTECCION | GUARD | SCHUTZBLECH |
| | 28 | 1.14410.00 | COMPLESSIVO SNODO SFERICO | ARTICULATION CPT | CONJ. ARTICULACION | ARTICULATION, ASSY | GELENK KPL |
| | 29 | 357.852 | INGRASSATORE | GRAISSEUR | ENGRASADOR | GREASE NIPPLE | SCHMIERNIPPEL |
| | 30 | 354.114 | ROSETTA ELASTICA | RONDELLE W | ARANDELA ELASTICA | SPRING WASHER | FEDERSCHIEBE |
| | 31 | 650.614 | DADO | ECROU | TUERCA | NUT | MUTTER |
| | 32 | 650.630 | DADO | ECROU | TUERCA | NUT | MUTTER |
| | 33 | 354.530 | ROSETTA ELASTICA | RONDELLE W | ARANDELA ELASTICA | SPRING WASHER | FEDERSCHIEBE |
| | 34 | 1.15683 | GUARNIZIONE | JOINT | JUNTA | GASKET | DICHTUNG |
| | 35 | 1.34521 | PROTEZIONE SUPPLEMENTARE | PROTECTEUR | PROTECCION | GUARD | SCHUTZBLECH |
| | 36 | 355.10615 | RONDELLA | RONDELLE | ARANDELA | WASHER | SCHIEBE |
| | 37 | 354.106 | ROSETTA ELASTICA | RONDELLE W | ARANDELA ELASTICA | SPRING WASHER | FEDERSCHIEBE |
| | 38 | 1.34474 | PROTEZIONE GIUNTO ESTERNO | PROTECTEUR | PROTECCION | GUARD | SCHUTZBLECH |
| | 39 | 1.15978 | PIASTRINA SUPERIORE PROTEZIONE | PLAQUETTE | PLANCHUELA | PLATE | PLAETTCHEN |
| | 40 | 1.15979 | PIASTRINA INFERIORE PROTEZIONE | PLAQUETTE | PLANCHUELA | PLATE | PLAETTCHEN |

| MODIF. | RIF. | N° ORDIN. | QUANT. | NOTE |
|--------|------|-----------|--------|------|
| | 1 | 621.1018 | (3) | |
| | 2 | 354.110 | (3) | |
| | 3 | 1.14362 | (1) | |
| | 4 | 1.14901 | (1) | |
| | 5 | 377.425 | (1) | |
| | 6 | 652.716 | (1) | |
| | 7 | 355.01740 | (1) | |
| | 8 | 402.125 | (1) | |
| | 9 | 1.14622 | (1) | |
| | 10 | 406.445 | (2) | |
| | 11 | 1.14369 | (1) | |
| | 12 | 445.124 | (2) | |
| | 13 | 357.034 | (2) | |
| | 14 | 1.14618 | (1) | |
| | 15 | 383.738 | (1) | |
| | 16 | 3.2629 | (1) | |
| | 17 | 3.2641.00 | (1) | |
| | 18 | 3.2654 | (1) | |
| | 19 | 1.14361 | (1) | |
| | 20 | 359.405 | (1) | |
| | 21 | 401.135 | (1) | |
| | 22 | 358.312 | (1) | |
| | 23 | 1.14365 | (1) | |
| | 24 | 382.019 | (1) | |
| | 25 | 3.7722 | (2) | |
| | 26 | 1.14898 | (1) | |
| | 27 | 1.14653 | (1) | |
| | 28 | 409.090 | (1) | |
| | 29 | 358.3192 | (1) | |
| | 30 | 358.173 | (1) | |
| | 31 | 1.14363 | (1) | |
| | 32 | 630.0814 | (2) | |
| | 33 | 355.61030 | (1) | |
| | 34 | 621.1012 | (1) | |
| | 35 | 355.47110 | (2) | |



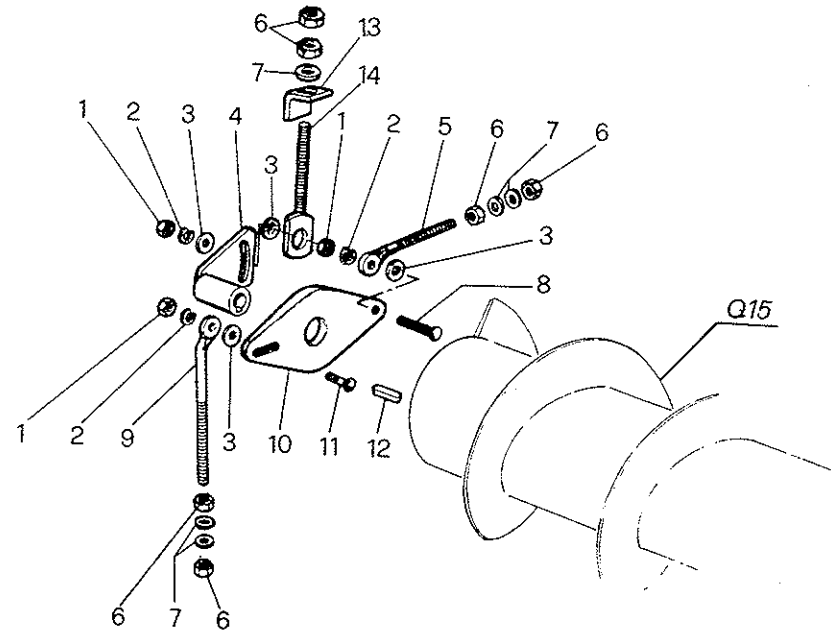
C 310 C 480
C 360 C 540
C 420 C 600
C 660
 2/1983

ELEMENTI SCATOLA CONVERTITORE
 ELEMENTS BOITE CONVERTISSEUR
 ELEMENTOS CAJA CONVERTIDOR
 WOBBLE BOX ELEMENTS
 ANTRIEBKASTENELEMENTE

Q 12
 1.14361.00

| MODIF. | RIF. | N° ORDIN. | DENOMINAZIONE | DESIGNATION | DENOMINACIONES | DESCRIPTION | BENENNUNG |
|--------|------|-----------|---------------------------|-------------|-------------------|---------------|-----------------|
| | 1 | 621.1018 | VITE | VIS | TORNILLO | SCREW | SCHRAUBE |
| | 2 | 354.110 | ROSETTA ELASTICA | RONDELLE W | ARANDELA ELASTICA | SPRING WASHER | FEDERSCHLEIBE |
| | 3 | 1.14362 | COPERCHIO SCATOLA | COUVERCLE | TAPA | COVER | KLAPPE |
| | 4 | 1.14901 | GUARNIZIONE | JOINT | JUNTA | GASKET | DICHTUNG |
| | 5 | 377.425 | COPIGLIA | GOUPIILLE | PASADOR ABIERTO | COTTER PIN | SPLINT |
| | 6 | 652.716 | DADO | ECROU | TUERCA | NUT | MUTTER |
| | 7 | 355.01740 | RONDELLA | RONDELLE | ARANDELA | WASHER | SCHLEIBE |
| | 8 | 402.125 | CUSCINETTO | ROULEMENT | RODAMIENTO | BEARING | LAGER |
| | 9 | 1.14622 | RONDELLA | RONDELLE | ARANDELA | WASHER | SCHLEIBE |
| | 10 | 406.445 | CUSCINETTO | ROULEMENT | RODAMIENTO | BEARING | LAGER |
| | 11 | 1.14369 | SCATOLA OSCILLANTE | BOITIER | CAJA | BOX | GEHAUSE |
| | 12 | 445.124 | CAPSULA | ROULEMENT | RODAMIENTO | BEARING | LAGER |
| | 13 | 357.034 | ANELLO ELASTICO | CIRCLIPS | ANILLO ELASTICO | CIRCLIP | SICHERUNGSRING |
| | 14 | 1.14618 | ECCENTRICO CONVERTITORE | EXCENTRIQUE | EXCENTRICO | ECCENTRIC | EXZENTER |
| | 15 | 383.738 | LINGUETTA | CLAVETTE | CHAVETA | KEY | KEIL |
| | 16 | 3.2629 | TASSELLO IN GOMMA | PATIN | PATIN | PAD | BREMSPLATTE |
| | 17 | 3.2641.00 | SFIATO | RENIFLARD | RESPIRADERO | BREATHER | ENTLUEFTUNGS |
| | 18 | 3.2654 | GUARNIZIONE | JOINT | JUNTA | GASKET | DICHTUNG |
| | 19 | 1.14361 | SCATOLA CONVERTITORE | BOITIER | CAJA | BOX | GEHAUSE |
| | 20 | 359.405 | TAPPO | BOUCHON | TAPON | PLUG | VERSCHLUSS |
| | 21 | 401.135 | CUSCINETTO | ROULEMENT | RODAMIENTO | BEARING | LAGER |
| | 22 | 358.312 | GUARNIZIONE | JOINT | JUNTA | SEAL | RADIALDICHTRING |
| | 23 | 1.14365 | ALBERO A FORCELLA | ARBRE | ARBOL | SHAFT | WELLE |
| | 24 | 382.019 | LINGUETTA | CLAVETTE | CHAVETA | KEY | KEIL |
| | 25 | 3.7722 | BRONZINA | BAGUE | CASQUILLO | BUSH | BUECHSE |
| | 26 | 1.14898 | ANELLO INTERNO CUSCINETTO | ANNEAU INT. | ANILLO INT. | INNER RING | INNENRING |
| | 27 | 1.14653 | DISTANZIATORE | ENTRETOISE | ESPACIADOR | SPACER | DISTANZBUECHSE |
| | 28 | 409.090 | ANELLO INTERNO | ANNEAU INT. | ANILLO INT. | INNER RING | INNENRING |
| | 29 | 358.3192 | GUARNIZIONE | JOINT | JUNTA | SEAL | RADIALDICHTRING |
| | 30 | 358.173 | GUARNIZIONE | JOINT | JUNTA | O-RING | O-RING |
| | 31 | 1.14363 | MOZZO FORCELLA | MOYEU | CUBO | HUB | NABE |
| | 32 | 630.0814 | VITE | VIS | TORNILLO | SCREW | SCHRAUBE |
| | 33 | 355.61030 | GUARNIZIONE | JOINT | JUNTA | SEAL | RADIALDICHTRING |
| | 34 | 621.1012 | VITE | VIS | TORNILLO | SCREW | SCHRAUBE |
| | 35 | 355.47110 | RONDELLA | RONDELLE | ARANDELA | WASHER | SCHLEIBE |

| MODIF. | RIF. | N° ORDIN. | QUANT. | NOTE |
|--------|------|-----------|--------|------|
| | 1 | 650.612 | 3 | |
| | 2 | 354.112 | 3 | |
| | 3 | 355.30820 | 4 | |
| | 4 | 1.14482 | 1 | |
| | 5 | 1.14393 | 1 | |
| | 6 | 650.110 | 6 | |
| | 7 | 355.01120 | 7 | |
| | 8 | 1.15065 | 1 | |
| | 9 | 1.14394 | 1 | |
| | 10 | 1.14493 | 1 | |
| | 11 | 1.8648 | 1 | |
| | 12 | 382.440 | 1 | |
| | 13 | 1.35950 | 1 | |
| | 14 | 1.35949 | 1 | |



C 310 C 480
C 360 C 540
C 420 C 600
C 660

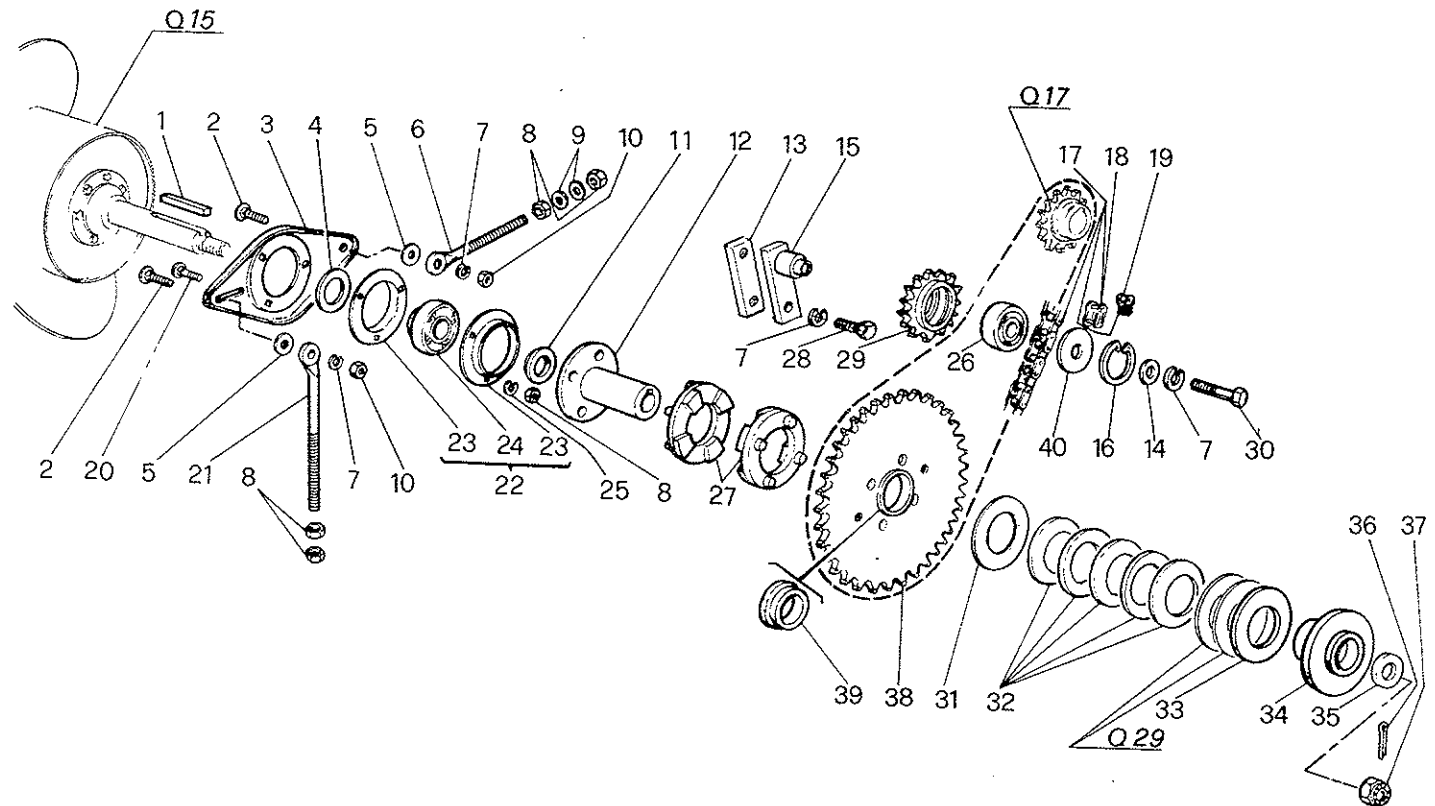
SUPPORTO DESTRO COCLEA
 SUPPORT D. VIS D'ALIMENTATION
 SOPORTE DE. TORNILLO SIN-FIN
 R.H. AUGER SUPPORT
 SCHNECKENHALTERUNG RECHTS

6/1984

Q 13
 5F790A08
 5F790A00

| MODIF. | RIF. | N° ORDIN. | DENOMINAZIONE | DESIGNATION | DENOMINACIONES | DESCRIPTION | BENENNUNG |
|--------|------|-----------|---------------------|-------------|-------------------|---------------|--------------|
| | 1 | 650.612 | DADO | ECROU | TUERCA | NUT | MUTTER |
| | 2 | 354.112 | ROSETTA ELASTICA | RONDELLE W | ARANDELA ELASTICA | SPRING WASHER | FEDERSCHEIBE |
| | 3 | 355.30820 | RONDELLA | RONDELLE | ARANDELA | WASHER | SCHEIBE |
| | 4 | 1.14482 | LEVA REGOLAZIONE | LEVIER | PALANCA | LEVER | HEBEL |
| | 5 | 1.14393 | TIRANTE REGOLAZIONE | TIRANT | TIRANTE | TIE-ROD | SPANNER |
| | 6 | 650.110 | DADO | ECROU | TUERCA | NUT | MUTTER |
| | 7 | 355.01120 | RONDELLA | RONDELLE | ARANDELA | WASHER | SCHEIBE |
| | 8 | 1.15065 | VITE SPECIALE | VIS | TORNILLO | SCREW | SCHRAUBE |
| | 9 | 1.14394 | TIRANTE REGOLAZIONE | TIRANT | TIRANTE | TIE-ROD | SPANNER |
| | 10 | 1.14493 | SUPPORTO D. COCLEA | SUPPORT | SOPORTE | SUPPORT | HALTERUNG |
| | 11 | 1.8648 | VITE SPECIALE | VIS | TORNILLO | SCREW | SCHRAUBE |
| | 12 | 382.440 | LINGUETTA | CLAVETTE | CHAVETA | KEY | KEIL |
| | 13 | 1.35950 | PIASTRINA RISCONTRO | PLAQUETTE | PLANCHUELA | PLATE | PLAETTCHEN |
| | 14 | 1.35949 | TIRANTE | TIRANT | TIRANTE | TIE-ROD | SPANNBOLZEN |

| MODIF. | RIF. | N° ORDIN. | QUANT. | NOTE |
|------------------------------------------------------------------------------------------------------------------------------------------------------------------------------------------------------------------------|------|------------|--------|------|
| | 1 | 383.480 | 1 | |
| | 2 | 1.8648 | 2 | |
| | 3 | 1.14492 | 1 | |
| | 4 | 1.31228 | 2 | |
| | 5 | 355.30820 | 2 | |
| | 6 | 1.14393 | 1 | |
| | 7 | 354.112 | 4 | |
| | 8 | 650.110 | 7 | |
| | 9 | 355.01120 | 2 | |
| | 10 | 650.612 | 2 | |
| | 11 | 1.9999 | 1 | |
| | 12 | 1.31755 | 1 | |
| | 13 | 1.32701 | 1 | |
| | 14 | 355.11230 | 1 | |
| | 15 | 1.32699 | 1 | |
| | 16 | 357.052 | 1 | |
| | •17 | 437.5186 | 1 | |
| | o17 | 437.5163 | 1 | |
| | x17 | 437.5170 | 1 | |
| | 18 | 437.5100 | (1) | |
| | 19 | 437.5101 | (1) | |
| | 20 | 342.520 | 3 | |
| | 21 | 1.14394 | 1 | |
| | 22 | 411.009 | 1 | |
| | 23 | 411.405 | (2) | |
| | 24 | 411.205 | (1) | |
| | 25 | 354.110 | 3 | |
| | 26 | 401.525 | 1 | |
| | 27 | 1.21400 | 2 | |
| | 28 | 626.1220 | 1 | |
| C 0722 | 29 | 1.3041 | 1 | |
| D 0722 | 29 | 1.21614 | 1 | |
| | 30 | 616.1234 | 1 | |
| | 31 | 1.14645 | 1 | |
| | 32 | 356.058 | 6 | |
| | 33 | 1.20563 | 1 | |
| | 34 | 1.31756 | 1 | |
| | 35 | 355.02130 | 1 | |
| | 36 | 377.430 | 1 | |
| | 37 | 652.620 | 1 | |
| | •38 | 1.34602 | 1 | Z=40 |
| | o38 | 1.31631 | 1 | Z=36 |
| | *38 | 1.15357 | 1 | Z=44 |
| | x38 | 1.14490 | 1 | Z=47 |
| | 39 | 1.29393.60 | (1) | |
| | 40 | 355.41710 | 1 | |
| • = TRASFORMABILE - TRANSFORMABLE - TRANSFORMABLE-CONVERTIBLE-UMWANDELBAR o = BASE - BASE - BASE - BASICPARTS - GRUNDTEILE * = (F - B) x = A RICHIESTA - A LA DEMANDE - A PEDIDO- OPTIONAL - AUF WUNSCH | | | | |



D 0722 tel. n° 5F223663 - 5F233440 - 5F243490 - 5F253505 - 5F273662 - 5F283665 - 5F293670 → ~~1.3041~~ = 1.21614
+ 355.41710

C 310 C 480
C 360 C 540
C 420 C 600
C 660

6/1984

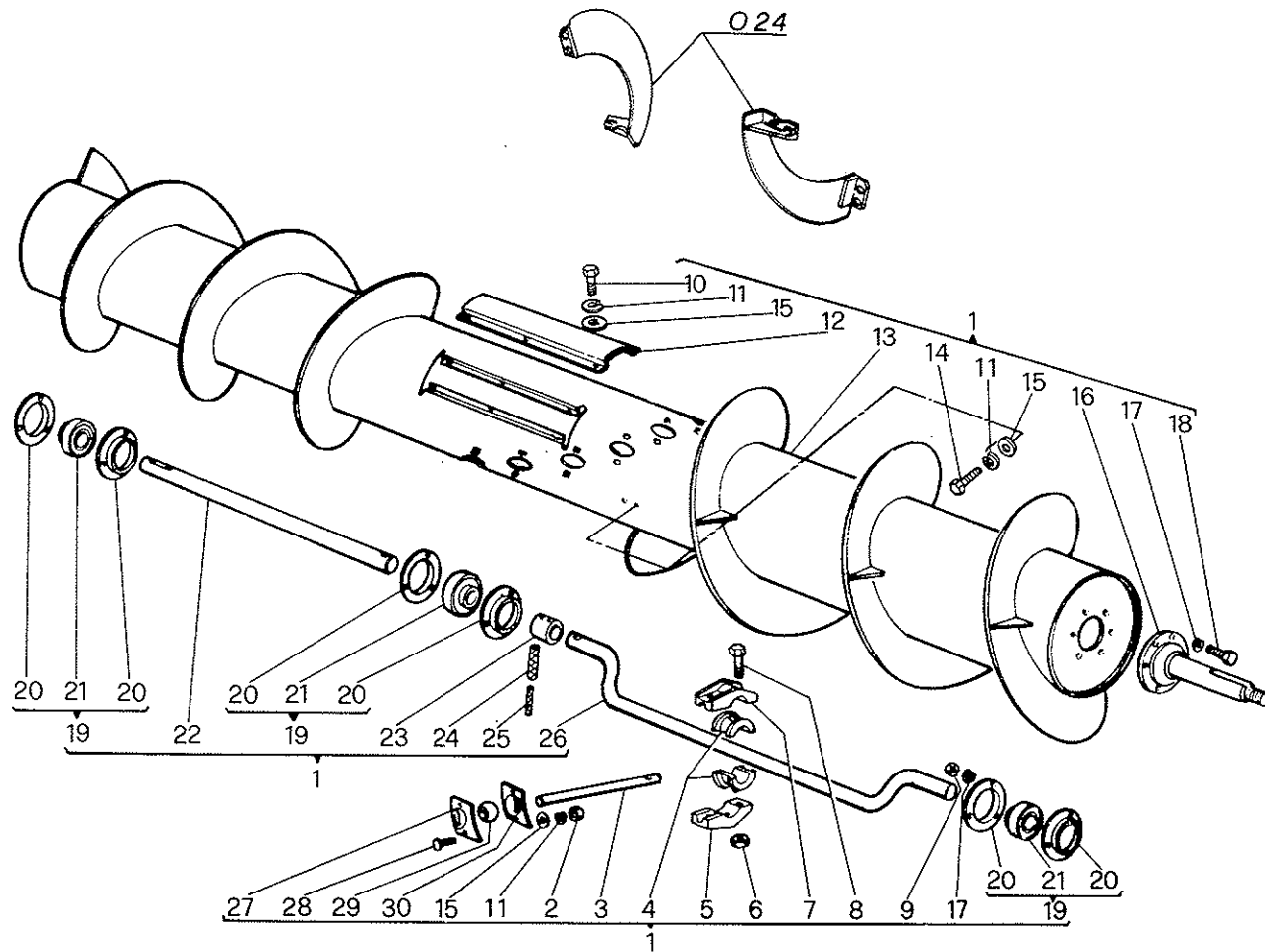
SUPPORTO SINISTRO COCLEA
 SUPPORT G. VIS D'ALIMENTATION
 SOPORTE IZ. TORNILLO SIN-FIN
 L.H. AUGER SUPPORT
 SCHNECKENHALTERUNG LINK

Q 14

•5F150D01
 o5F150D03
 x5F150D05

| MODIF. | RIF. | N° ORDIN. | DENOMINAZIONE | DESIGNATION | DENOMINACIONES | DESCRIPTION | BENENNUNG |
|--------|------|------------|-----------------------|------------------|-------------------|------------------|-------------------|
| | 1 | 383.480 | LINGUETTA | CLAVETTE | CHAVETA | KEY | KEIL |
| | 2 | 1.8648 | VITE SPECIALE | VIS SPECIAL | TORNILLO ESPECIAL | SPECIAL SCREW | SPEZIALSCHRAUBE |
| | 3 | 1.14492 | SUPPORTO S. COCCLEA | SUPPORT G. | SOPORTE IZ. | SUPPORT, L.H. | HALTERUNG L. |
| | 4 | 1.31228 | RONDELLA | RONDELLE | ARANDELA | WASHER | SCHEIBE |
| | 5 | 355.30820 | RONDELLA | RONDELLE | ARANDELA | WASHER | SCHEIBE |
| | 6 | 1.14393 | TIRANTE REGISTRAZ. | TIRANT | TIRANTE | TIE-ROD | SPANNBOLZEN |
| | 7 | 354.112 | ROSETTA ELASTICA | RONDELLE W | ARANDELA ELASTICA | SPRING WASHER. | FEDERSCHEIBE |
| | 8 | 650.110 | DADO | ECROU | TUERCA | NUT | MUTTER |
| | 9 | 355.01120 | RONDELLA | RONDELLE | ARANDELA | WASHER | SCHEIBE |
| | 10 | 650.612 | DADO | ECROU | TUERCA | NUT | MUTTER |
| | 11 | 1.9999 | DISTANZIATORE | ENTRETOISE | ESPACIADOR | SPACER | DISTANZBUCHSE |
| | 12 | 1.31755 | MOZZO PARASTRAPPI | MOYEU | CUBO | HUB | NABE |
| | 13 | 1.32701 | RISCONTRO TENDICATENA | BARRETTE | PLETINA | STIFFENER | VERSTAERKUNG |
| | 14 | 355.11230 | RONDELLA | RONDELLE | ARANDELA | WASHER | SCHEIBE |
| | 15 | 1.32699 | SUPPORTO TENDICATENA | SUPPORT | SOPORTE | SUPPORT | HALTERUNG |
| | 16 | 357.052 | ANELLO ELASTICO | CIRCLIPS | ANILLO ELASTICO | CIRCLIP | SICHERUNGSRING |
| | 17 | 437.5186 | CATENA | CHAINE | CADENA | CHAIN | KETTE |
| | 17 | 437.5163 | CATENA | CHAINE | CADENA | CHAIN | KETTE |
| | 17 | 437.5170 | CATENA | CHAINE | CADENA | CHAIN | KETTE |
| | 18 | 437.5100 | MAGLIA GIUNZIONE | MAILLON JONCTION | ESLABON DE EMPATE | CONNECTING LINK | KETTENSCHLOSS |
| | 19 | 437.5101 | FALSA MAGLIA | FAUX-MAILLON | FALSO ESLABON | CRANKED LINK | KETTENSCHLOSS |
| | 20 | 342.520 | VITE SPECIALE | VIS SPECIAL | TORNILLO ESPECIAL | SPECIAL SCREW | SPEZIALSCHRAUBE |
| | 21 | 1.14394 | TIRANTE REGISTRAZ. | TIRANT | TIRANTE | TIE-ROD | SPANNBOLZEN |
| | 22 | 411.009 | SUPPORTO CUSCINETTO | PALIER | COJINETE | BEARING SUPPORT | LAGERHALTER |
| | 23 | 411.405 | FLANGIA CUSCINETTO | FLASQUE | BRIDA | FLANGE | LAGERFLANSCH |
| | 24 | 411.205 | CUSCINETTO | ROULEMENT | RODAMIENTO | BEARING | LAGER |
| | 25 | 354.110 | ROSETTA ELASTICA | RONDELLE W | ARANDELA ELASTICA | SPRING WASHER | FEDERSCHEIBE |
| | 26 | 401.525 | CUSCINETTO | ROULEMENT | RODAMIENTO | BEARING | LAGER |
| | 27 | 1.21400 | ANELLO DENTATO. | ANNEAU DENTEE | ANILLO DENTADO | GEAR RING | ZACKENRING |
| | 28 | 626.1220 | VITE | VIS | TORNILLO | SCREW | SCHRAUBE |
| C 0722 | 29 | 1.3041 | TENDICATENA | PIGNON TENDEUR | PINON TENSOR | TENSION SPROCKET | KETTENSPANNRITZEL |
| D 0722 | 29 | 1.21614 | TENDICATENA | PIGNON TENDEUR | PINON TENSOR | TENSION SPROCKET | KETTENSPANNRITZEL |
| | 30 | 616.1234 | VITE | VIS | TORNILLO | SCREW | SCHRAUBE |
| | 31 | 1.14645 | RONDELLA PARASTRAPPI | RONDELLE | ARANDELA | WASHER | SCHEIBE |
| | 32 | 356.058 | RONDELLA ELASTICA | RONDELLE | ARANDELA | SPRING WASHER | FEDERSCHEIBE |
| | 33 | 1.20563 | RONDELLA | RONDELLE | ARANDELA | WASHER | SCHEIBE |
| | 34 | 1.31756 | RONDELLA EST. | RONDELLE EXT. | ARANDELA | OUTER WASHER | AUSSENSCHEIBE |
| | 35 | 355.02130 | RONDELLA | RONDELLE | ARANDELA | WASHER | SCHEIBE |
| | 36 | 377.430 | COPIGLIA | GOUPILLE | PASADOR ABIERTO | COTTER PIN | SPLINT |
| | 37 | 652.620 | DADO | ECROU | TUERCA | NUT | MUTTER |
| | 38 | 1.34602 | INGRANAGGIO | PIGNON | PINON | GEAR | ZAHNRAD |
| | 38 | 1.31631 | INGRANAGGIO | PIGNON | PINON | GEAR | ZAHNRAD |
| | 38 | 1.15357 | INGRANAGGIO | PIGNON | PINON | GEAR | ZAHNRAD |
| | 38 | 1.14490 | INGRANAGGIO | PIGNON | PINON | GEAR | ZAHNRAD |
| | 39 | 1.29393.60 | BRONZINA | BAGUE BRONZE | CASQUILLO BRONCE | BUSHING | BUECHSE |
| | 40 | 355.41710 | RONDELLA | RONDELLE | ARANDELA | WASHER | SCHEIBE |

| MODIF. | RIF. | N° ORDIN. | QUANT. | NOTE |
|--------|------|------------|--------|------|
| | 1 | 1.25796.00 | 1 | |
| | 2 | 650.108 | (24) | |
| | 3 | 1.29698 | (12) | |
| | 4 | 1.29659 | (24) | |
| | 5 | 1.29700 | (12) | |
| | 6 | 653.108 | (24) | |
| | 7 | 1.29658 | (12) | |
| | 8 | 611.0822 | (24) | |
| | 9 | 650.110 | (9) | |
| | 10 | 621.0812 | (12) | |
| | 11 | 354.108 | (40) | |
| C 0724 | 12 | 1.17172 | (2) | |
| D 0724 | 12 | 1.18945 | (2) | |
| | 13 | 1.25796 | (1) | |
| | 14 | 621.0814 | (4) | |
| | 15 | 355.00915 | (34) | |
| | 16 | 1.29486 | (1) | |
| | 17 | 354.110 | (15) | |
| | 18 | 621.1014 | (6) | |
| | 19 | 411.009 | (3) | |
| | 20 | 411.405 | (6) | |
| | 21 | 411.205 | (3) | |
| | 22 | 1.25787 | (1) | |
| | 23 | 1.14608 | (1) | |
| | 24 | 378.750 | (2) | |
| | 25 | 378.450 | (2) | |
| | 26 | 1.32488 | (1) | |
| | 27 | 1.29172 | (12) | |
| | 28 | 600.0814 | (24) | |
| | 29 | 1.5644 | (12) | |
| | 30 | 1.29170 | (12) | |

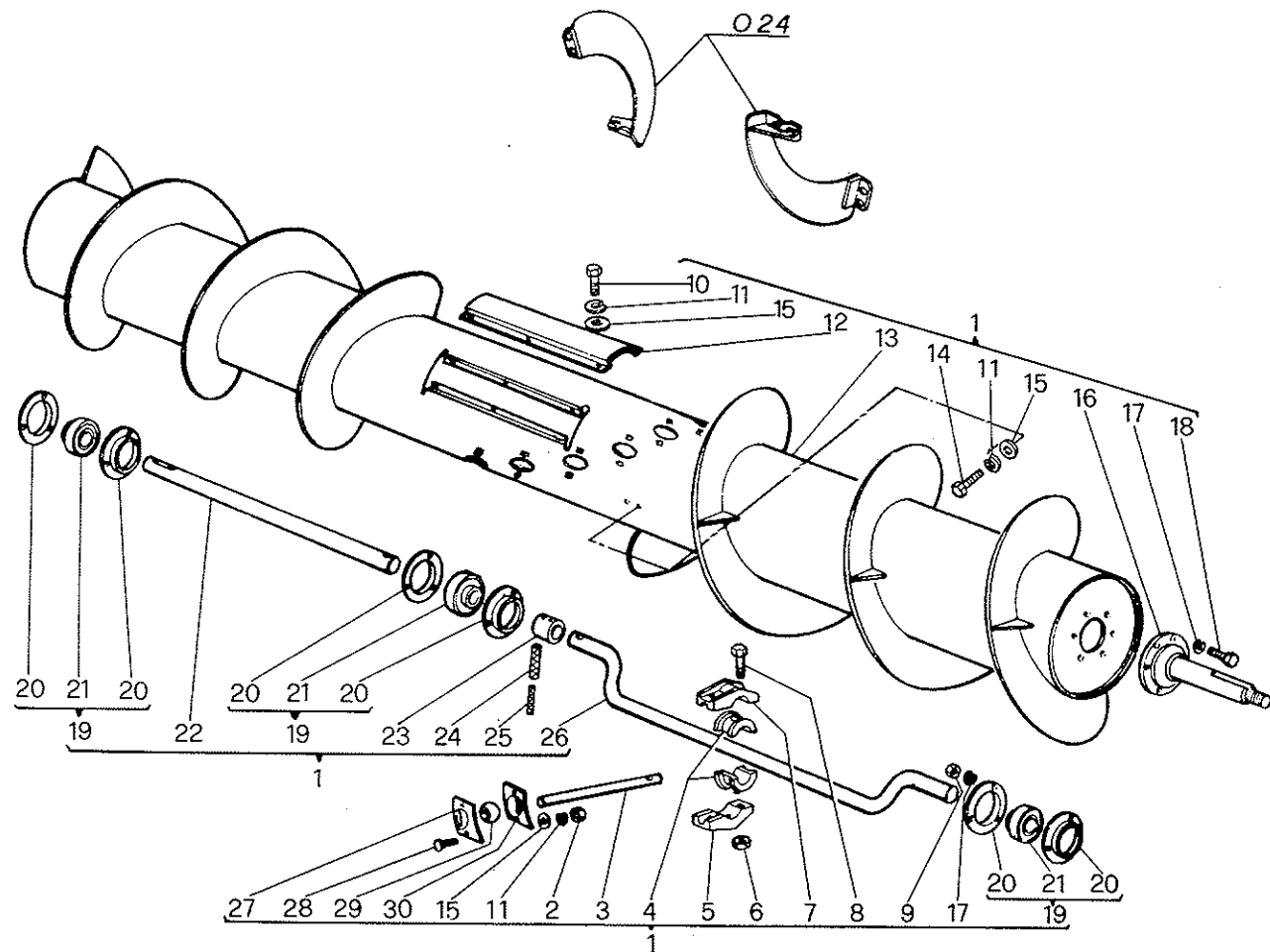


D 0724 tel.n°5F223663 → ~~1.17172~~ = 1.18945 + (6) 355.00915

| | | |
|--------------|-------------------------------------------------------------------------------------------------------|---------------|
| C 310 | COCLEA ALIMENTAZIONE VIS D'ALIMENTATION SIN-FIN ALIMENTACION FEEDING AUGER EINZUGSCHNECKE | Q 15 A |
| | 6/1984 | 5F750H04 |

| MODIF. | RIF. | N° ORDIN. | DENOMINAZIONE | DESIGNATION | DENOMINACIONES | DESCRIPTION | BENENNUNG |
|--------|------|------------|-----------------------------|--------------------|----------------------|-------------------|--------------------|
| | 1 | 1.25796.00 | COMPL. COCLEA | VIS CPT | CONJ. SIN-FIN | AUGER, ASSY | EINZUGSCHNECKE KPL |
| | 2 | 650.108 | DADO | ECROU | TUERCA | NUT | MUTTER |
| | 3 | 1.29698 | DITO ARTICOLATO | DOIGT | DIENTE | AUGER FINGER | FINGER |
| | 4 | 1.29659 | SEMIBOCCOLA SUPPORTO | DEMI-BAGUE | SEMI-COJINETE | HALF-BEARING | HAELFBUECHSE |
| | 5 | 1.29700 | SEMISUPPORTO DITO ARTICOL. | DEMI-SUPPORT | SEMI-SOPORTE | HALF-SUPPORT | HAELFTHALTERUNG |
| | 6 | 653.108 | DADO | ECROU | TUERCA | NUT | MUTTER |
| | 7 | 1.29658 | SEMISUPPORTO DITO SUPERIORE | DEMI-SUPPORT | SEMI-SOPORTE | HALF-SUPPORT | HAELFTHALTERUNG |
| | 8 | 611.0822 | VITE | VIS | TORNILLO | SCREW | SCHRAUBE |
| | 9 | 650.110 | DADO | ECROU | TUERCA | NUT | MUTTER |
| | 10 | 621.0812 | VITE | VIS | TORNILLO | SCREW | SCHRAUBE |
| | 11 | 354.108 | ROSETTA ELASTICA | RONDELLE W | ARANDELA ELASTICA | SPRING WASHER | FEDERSCHEIBE |
| C 0724 | 12 | 1.17172 | CHIUSURA FINESTRA COCLEA | FERMETURE | CIERRE | COVER | VERSCHLUSS |
| D 0724 | 12 | 1.18945 | CHIUSURA FINESTRA COCLEA | FERMETURE | CIERRE | COVER | VERSCHLUSS |
| | 13 | 1.25796 | COCLEA | VIS ALIMENTATION | SIN-FIN ALIMENTACION | FEED AUGER | EINZUGSCHNECKE |
| | 14 | 621.0814 | VITE | VIS | TORNILLO | SCREW | SCHRAUBE |
| | 15 | 355.00915 | RONDELLA | RONDELLE | ARANDELA | WASHER | SCHEIBE |
| | 16 | 1.29486 | ALBERO ESTERNO S. | ARBRE EXT. | ARBOL EXT. | EXT. SHAFT | AUSSENWELLE |
| | 17 | 354.110 | ROSETTA ELASTICA | RONDELLE W | ARANDELA ELASTICA | SPRING WASHER | FEDERSCHEIBE |
| | 18 | 621.1014 | VITE | VIS | TORNILLO | SCREW | SCHRAUBE |
| | 19 | 411.009 | SUPPORTO CUSCINETTO | PALIER | COJINETE | BEARING SUPPORT | LAGERHALTER |
| | 20 | 411.405 | FLANGIA CUSCINETTO | FLASQUE | BRIDA | FLANGE | LAGERFLANSCH |
| | 21 | 411.205 | CUSCINETTO | ROULEMENT | RODAMIENTO | BEARING | LAGER |
| | 22 | 1.25787 | ALBERO INT. D. | ARBRE INT. D. | ARBOL INT. DE. | INNER SHAFT, R.H. | INNENWELLE R. |
| | 23 | 1.14608 | BOCCOLA COLLEGAMENTO | BAGUE | CASQUILLO | BUSH | BUECHSE |
| | 24 | 378.750 | SPINA ELASTICA | GOUPILLE ELASTIQUE | PASADOR | ROLL PIN | SPANNUELSE |
| | 25 | 378.450 | SPINA ELASTICA | GOUPILLE ELASTIQUE | PASADOR | ROLL PIN | SPANNUELSE |
| | 26 | 1.32488 | ALBERO DITI | ARBRE | ARBOL | SHAFT | WELLE |
| | 27 | 1.29172 | CALOTTA SUPERIORE | COSQUILLE SUP. | CALOTA SUP. | UPPER CAP | OBERKAPPE |
| | 28 | 600.0814 | VITE | VIS | TORNILLO | SCREW | SCHRAUBE |
| | 29 | 1.5644 | NOCE DITO | NOIX DE DOIGT | NUEZ DEL DIENTE | BEARING, FINGER | LAGERFINGER |
| | 30 | 1.29170 | CALOTTA INFERIORE | COSQUILLE INF. | CALOTA INF. | LOWER CAP | UNTERKAPPE |

| MODIF. | RIF. | N° ORDIN. | QUANT. | NOTE |
|--------|------|------------|--------|------|
| | 1 | 1.31954.00 | 1 | |
| | 2 | 650.108 | (24) | |
| | 3 | 1.29698 | (12) | |
| | 4 | 1.29659 | (24) | |
| | 5 | 1.29700 | (12) | |
| | 6 | 653.108 | (24) | |
| | 7 | 1.29658 | (12) | |
| | 8 | 611.0822 | (24) | |
| | 9 | 650.110 | (9) | |
| | 10 | 621.0812 | (12) | |
| | 11 | 354.108 | (40) | |
| C 0724 | 12 | 1.17172 | (2) | |
| D 0724 | 12 | 1.18945 | (2) | |
| | 13 | 1.31954 | (1) | |
| | 14 | 621.0814 | (4) | |
| | 15 | 355.00915 | (34) | |
| | 16 | 1.29486 | (1) | |
| | 17 | 354.110 | (15) | |
| | 18 | 621.1014 | (6) | |
| | 19 | 411.009 | (3) | |
| | 20 | 411.405 | (6) | |
| | 21 | 411.205 | (3) | |
| | 22 | 1.31967 | (1) | |
| | 23 | 1.14608 | (1) | |
| | 24 | 378.750 | (2) | |
| | 25 | 378.450 | (2) | |
| | 26 | 1.32488 | (1) | |
| | 27 | 1.29172 | (12) | |
| | 28 | 600.0814 | (24) | |
| | 29 | 1.5644 | (12) | |
| | 30 | 1.29170 | (12) | |



D 0724 tel.n°5F233440 → ~~1.17172~~ = 1.18945 + (6) 355.00915

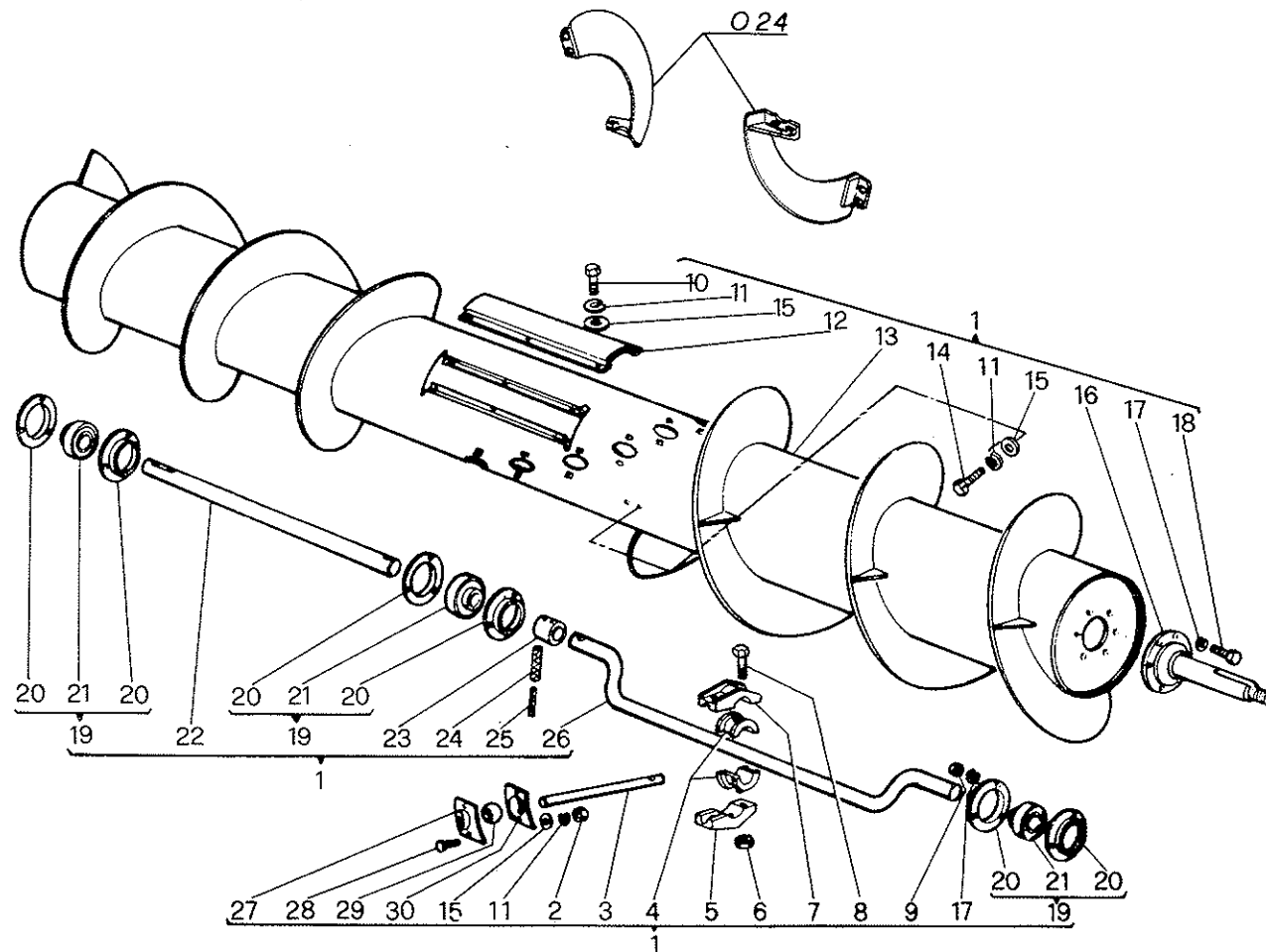
| | | |
|--------------|-------------------------------------------------------------------------------------------------------|---------------|
| C 360 | COCLEA ALIMENTAZIONE VIS D'ALIMENTATION SIN-FIN ALIMENTACION FEEDING AUGER EINZUGSCHNECKE | Q 15 B |
| | 6/1984 | 5F750H06 |

Q 15 B

LAVERDA

| MODIF. | RIF. | N° ORDIN. | DENOMINAZIONE | DESIGNATION | DENOMINACIONES | DESCRIPTION | BENENNUNG |
|--------|------|--------------|------------------------------|----------------------|----------------------|-------------------|--------------------|
| | | 1 1.31954.00 | COMPL. COCLEA | VIS ALIMENTATION CPT | CONJ. SIN-FIN | AUGER, ASSY | EINZUGSCHNECKE KPL |
| | | 2 650.108 | DADO | ECROU | TUERCA | NUT | MUTTER |
| | | 3 1.29698 | DITO ARTICOLATO | DOIGT | DIENTE | AUGER FINGER | FINGER |
| | | 4 1.29659 | SEMIBOCCOLA SUPPORTO | DEMI-BAGUE | SEMI-COJINETE | HALF-BEARING | HAELFTBUECHSE |
| | | 5 1.29700 | SEMISUPPORTO DITO ARTICOLATO | DEMI-SUPPORT | SEMI-SOPORTE | HALF-SUPPORT | HAELFTHALTERUNG |
| | | 6 653.108 | DADO | ECROU | TUERCA | NUT | MUTTER |
| | | 7 1.29658 | SEMISUPPORTO DITO SUPERIORE | DEMI-SUPPORT | SEMI-SOPORTE | HALF-SUPPORT | HAELFTHALTERUNG |
| | | 8 611.0822 | VITE | VIS | TORNILLO | SCREW | SCHRAUBE |
| | | 9 650.110 | DADO | ECROU | TUERCA | NUT | MUTTER |
| | | 10 621.0812 | VITE | VIS | TORNILLO | SCREW | SCHRAUBE |
| | | 11 354.108 | ROSETTA ELASTICA | RONDELLE W | ARANDELA ELASTICA | SPRING WASHER | FEDERSCHEIBE |
| C 0724 | | 12 1.17172 | CHIUSURA FINESTRA COCLEA | FERMETURE | CIERRE | COVER | VERSCHLUSS |
| D 0724 | | 12 1.18945 | CHIUSURA FINESTRA COCLEA | FERMETURE | CIERRE | COVER | VERSCHLUSS |
| | | 13 1.31954 | COCLEA | VIS ALIMENTATION | SIN-FIN ALIMENTACION | FEED AUGER | EINZUGSCHNECKE |
| | | 14 621.0814 | VITE | VIS | TORNILLO | SCREW | SCHRAUBE |
| | | 15 355.00915 | RONDELLA | RONDELLE | ARANDELA | WASHER | SCHNEIBE |
| | | 16 1.29486 | ALBERO ESTERNO S. | ARBRE EXT. G. | ARBOL EXT. IZ. | EXT. SHAFT, L.H. | AUSSENWELLE L. |
| | | 17 354.110 | ROSETTA ELASTICA | RONDELLE W | ARANDELA ELASTICA | SPRING WASHER | FEDERSCHNEIBE |
| | | 18 621.1014 | VITE | VIS | TORNILLO | SCREW | SCHRAUBE |
| | | 19 411.009 | SUPPORTO CUSCINETTO | PALIER | COJINETE | BEARING SUPPORT | LAGERHALTER |
| | | 20 411.405 | FLANGIA CUSCINETTO | FLASQUE | BRIDA | FLANGE | LAGERFLANSCH |
| | | 21 411.205 | CUSCINETTO | ROULEMENT | RODAMIENTO | BEARING | LAGER |
| | | 22 1.31967 | ALBERO INT. D. | ARBRE INT. D. | ARBOL INT. DE. | INNER SHAFT, R.H. | INNENWELLE R. |
| | | 23 1.14608 | BOCCOLA COLLEGAMENTO | BAGUE | CASQUILLO | BUSH | BUECHSE |
| | | 24 378.750 | SPINA ELASTICA | GOUPILLE ELASTIQUE | PASADOR | ROLL PIN | SPANNUELSE |
| | | 25 378.450 | SPINA ELASTICA | GOUPILLE ELASTIQUE | PASADOR | ROLL PIN | SPANNUELSE |
| | | 26 1.32488 | ALBERO DITI | ARBRE | ARBOL | SHAFT | WELLE |
| | | 27 1.29172 | CALOTTA SUPERIORE | COSQUILLE SUP. | CALOTA SUP. | UPPER CAP | OBERKAPPE |
| | | 28 600.0814 | VITE | VIS | TORNILLO | SCREW | SCHRAUBE |
| | | 29 1.5644 | NOCE DITO | NOIX DE DOIGT | NUEZ DEL DIENTE | BEARING, FINGER | LAGERFINGER |
| | | 30 1.29170 | CALOTTA INFERIORE | COSQUILLE INF. | CALOTA INF. | LOWER CAP | UNTERKAPPE |

| MODIF. | RIF. | N° ORDIN. | QUANT. | NOTE |
|--------|------|------------|--------|------|
| | 1 | 1.31955.00 | 1 | |
| | 2 | 650.108 | 24 | |
| | 3 | 1.29698 | (12) | |
| | 4 | 1.29659 | (24) | |
| | 5 | 1.29700 | (12) | |
| | 6 | 653.108 | (24) | |
| | 7 | 1.29658 | (12) | |
| | 8 | 611.0822 | (24) | |
| | 9 | 650.110 | (9) | |
| | 10 | 621.0812 | (12) | |
| | 11 | 354.108 | (40) | |
| C 0724 | 12 | 1.17172 | (2) | |
| D 0724 | 12 | 1.18945 | (2) | |
| | 13 | 1.31955 | (1) | |
| | 14 | 621.0814 | (4) | |
| | 15 | 355.00915 | (34) | |
| | 16 | 1.29486 | (1) | |
| | 17 | 354.110 | (15) | |
| | 18 | 621.1014 | (6) | |
| | 19 | 411.009 | (3) | |
| | 20 | 411.405 | (6) | |
| | 21 | 411.205 | (3) | |
| | 22 | 1.31966 | (1) | |
| | 23 | 1.14608 | (1) | |
| | 24 | 378.750 | (2) | |
| | 25 | 378.450 | (2) | |
| | 26 | 1.32488 | (1) | |
| | 27 | 1.29172 | (12) | |
| | 28 | 600.0814 | (24) | |
| | 29 | 1.5644 | (12) | |
| | 30 | 1.29170 | (12) | |



D 0724 tel.n°5F243490 → ~~1.17172~~ = 1.18945 + (6) 355.00915

C 420

COCLEA ALIMENTAZIONE
 VIS D'ALIMENTATION
 SIN-FIN ALIMENTACION
 FEEDING AUGER
 EINZUGSCHNECKE

Q 15 D

5F750H10

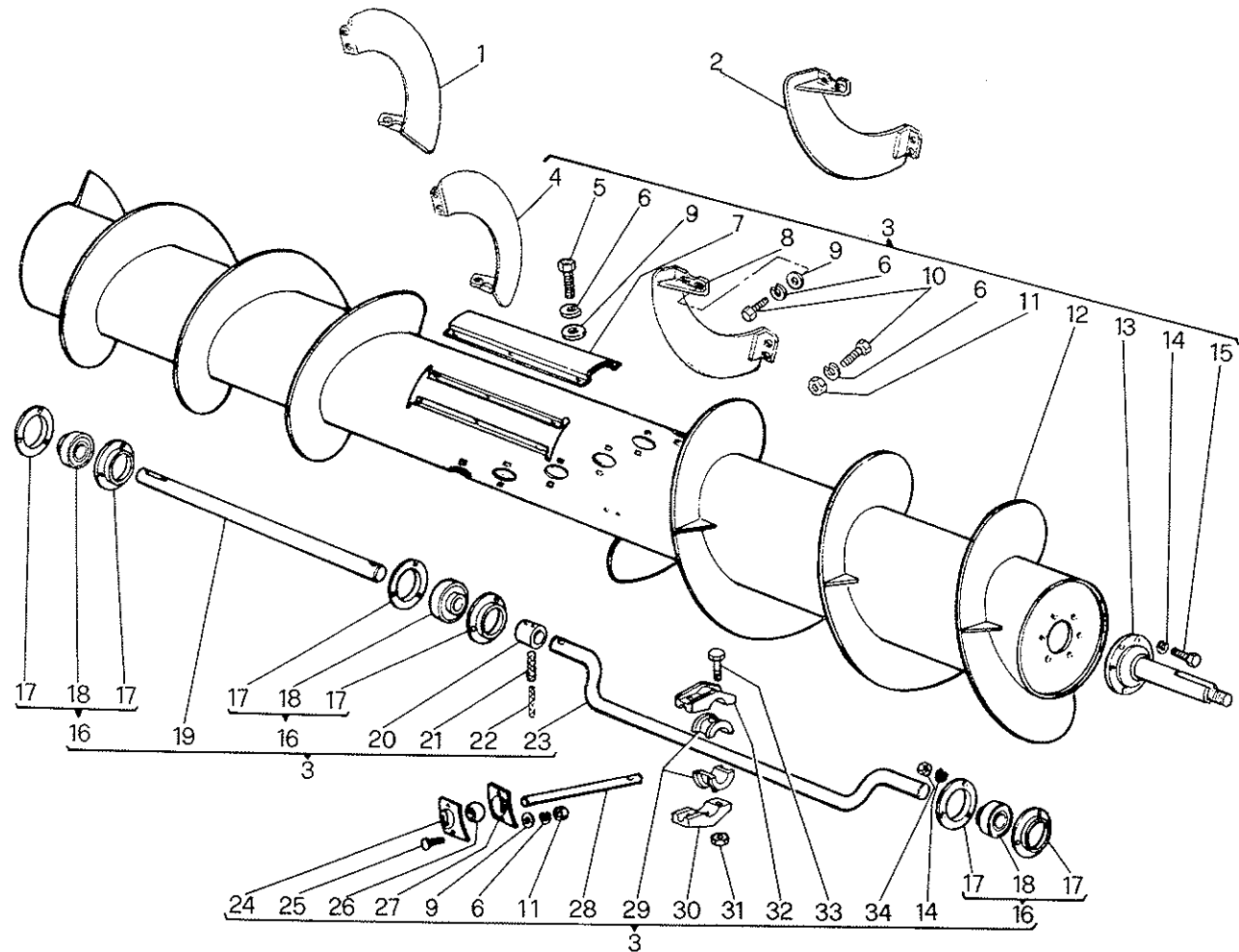
6/1984

Q 15 D

LAYERDA

| MODIF. | RIF. | N° ORDIN. | DENOMINAZIONE | DESIGNATION | DENOMINACIONES | DESCRIPTION | BENENNUNG |
|--------|------|------------|------------------------------|----------------------|----------------------|-------------------|--------------------|
| | 1 | 1.31955.00 | COMPL. COCLEA | VIS ALIMENTATION CPT | CONJ. SIN-FIN | AUGER, ASSY | EINZUGSCHNECKE KPL |
| | 2 | 650.108 | DADO | ECROU | TUERCA | NUT | MUTTER |
| | 3 | 1.29698 | DITO ARTICOLATO | DOIGT | DIENTE | AUGER FINGER | FINGER |
| | 4 | 1.29659 | SEMIBOCCOLA SUPPORTO | DEMI-BAGUE | SEMI-COJINETE | HALF-BEARING | HAELFTBUECHSE |
| | 5 | 1.29700 | SEMISUPPORTO DITO ARTICOLATO | DEMI-SUPPORT | SEMI-SOPORTE | HALF-SUPPORT | HAELFTHALTERUNG |
| | 6 | 653.108 | DADO | ECROU | TUERCA | NUT | MUTTER |
| | 7 | 1.29658 | SEMISUPPORTO DITO SUP. | DEMI-SUPPORT | SEMI-SOPORTE | HALF-SUPPORT | HAELFTHALTERUNG |
| | 8 | 611.0822 | VITE | VIS | TORNILLO | SCREW | SCHRAUBE |
| | 9 | 650.110 | DADO | ECROU | TUERCA | NUT | MUTTER |
| | 10 | 621.0812 | VITE | VIS | TORNILLO | SCREW | SCHRAUBE |
| | 11 | 354.108 | ROSETTA ELASTICA | RONDELLE W | ARANDELA ELASTICA | SPRING WASHER | FEDERSCHEIBE |
| C 0724 | 12 | 1.17172 | CHIUSURA FINESTRA COCLEA | FERMETURE | CIERRE | COVER | VERSCHLUSS |
| D 0724 | 12 | 1.18945 | CHIUSURA FINESTRA COCLEA | FERMETURE | CIERRE | COVER | VERSCHLUSS |
| | 13 | 1.31955 | COCLEA | VIS ALIMENTACION | SIN-FIN ALIMENTACION | FEED AUGER | EINZUGSCHNECKE |
| | 14 | 621.0814 | VITE | VIS | TORNILLO | SCREW | SCHRAUBE |
| | 15 | 355.00915 | RONDELLA | RONDELLE | ARANDELA | WASHER | SCHLEIFE |
| | 16 | 1.29486 | ALBERO ESTERNO S. | ARBRE EXT. G. | ARBOL EXT. IZ. | EXT. SHAFT, L.H. | AUSSENWELLE L. |
| | 17 | 354.110 | ROSETTA ELASTICA | RONDELLE W | ARANDELA ELASTICA | SPRING WASHER | FEDERSCHEIBE |
| | 18 | 621.1014 | VITE | VIS | TORNILLO | SCREW | SCHRAUBE |
| | 19 | 411.009 | SUPPORTO CUSCINETTO | PALIER | COJINETE | BEARING | LAGER |
| | 20 | 411.405 | FLANGIA CUSCINETTO | FLASQUE | BRIDA | FLANGE | LAGERFLANSCH |
| | 21 | 411.205 | CUSCINETTO | ROULEMENT | RODAMINETO | BEARING | LAGER |
| | 22 | 1.31966 | ALBERO INT. D. | ARBRE INT. D. | ARBOL INT. DE. | INNER SHAFT, R.H. | INNENWELLE R. |
| | 23 | 1.14608 | BOCCOLA COLLEGAMENTO | BAGUE | CASQUILLO | BUSH | BUECHSE |
| | 24 | 378.750 | SPINA ELASTICA | GOUPILLE ELASTIQUE | PASADOR | ROLL PIN | SPANNUELSE |
| | 25 | 378.450 | SPINA ELASTICA | GOUPILLE ELASTIQUE | PASADOR | ROLL PIN | SPANNUELSE |
| | 26 | 1.32488 | ALBERO DITI | ARBRE | ARBOL | SHAFT | WELLE |
| | 27 | 1.29172 | CALOTTA SUPERIORE | COSQUILLE SUP. | CALOTA SUP. | UPPER CAP | OBERSKAPPE |
| | 28 | 600.0814 | VITE | VIS | TORNILLO | SCREW | SCHRAUBE |
| | 29 | 1.5644 | NOCE DITO | NOIX DE DOIGT | NUEZ DEL DIENTE | BEARING, FINGER | LAGERFINGER |
| | 30 | 1.29170 | CALOTTA INFERIORE | COSQUILLE INF. | CALOTA INF. | LOWER CAP | UNTERKAPPE |

| MODIF. | RIF. | N° ORDIN. | QUANT. | NOTE |
|--------|------|------------|--------|------|
| | + 1 | 1.31395 | 1 | |
| | + 2 | 1.31396 | 1 | |
| | 3 | 1.32485.00 | 1 | |
| | 4 | 1.35008 | (1) | |
| | 5 | 621.0812 | (12) | |
| | 6 | 354.108 | (55) | |
| C 0724 | 7 | 1.17172 | (2) | |
| D 0724 | 7 | 1.18945 | (2) | |
| | 8 | 1.35007 | (1) | |
| | 9 | 355.00915 | (43) | |
| | 10 | 621.0814 | (8) | |
| | 11 | 650.108 | (39) | |
| | 12 | 1.32485 | (1) | |
| | 13 | 1.29486 | (1) | |
| | 14 | 354.110 | (15) | |
| | 15 | 621.1014 | (6) | |
| | 16 | 411.009 | (3) | |
| | 17 | 411.405 | (6) | |
| | 18 | 411.205 | (3) | |
| | 19 | 1.32489 | (1) | |
| | 20 | 1.14608 | (1) | |
| | 21 | 378.750 | (2) | |
| | 22 | 378.450 | (2) | |
| | 23 | 1.32488 | (1) | |
| | 24 | 1.29172 | (14) | |
| | 25 | 600.0814 | (35) | |
| | 26 | 1.5644 | (14) | |
| | 27 | 1.29170 | (14) | |
| | 28 | 1.29698 | (14) | |
| | 29 | 1.29659 | (28) | |
| | 30 | 1.29700 | (14) | |
| | 31 | 653.108 | (28) | |
| | 32 | 1.29658 | (14) | |
| | 33 | 611.0822 | (28) | |
| | 34 | 650.110 | (9) | |



D 0724 tel.n°5F253505 → ~~1.17172~~ = 1.18945 + (6) 355.00915

- + = IN DOTAZIONE
- + = EN DOTATION
- + = EN DOTACION
- + = STANDARD ITEM
- + = STANDARD

C 480

COCLEA ALIMENTAZIONE
 VIS D'ALIMENTATION
 SIN-FIN ALIMENTACION
 FEEDING AUGER
 EINZUGSCHNECKE

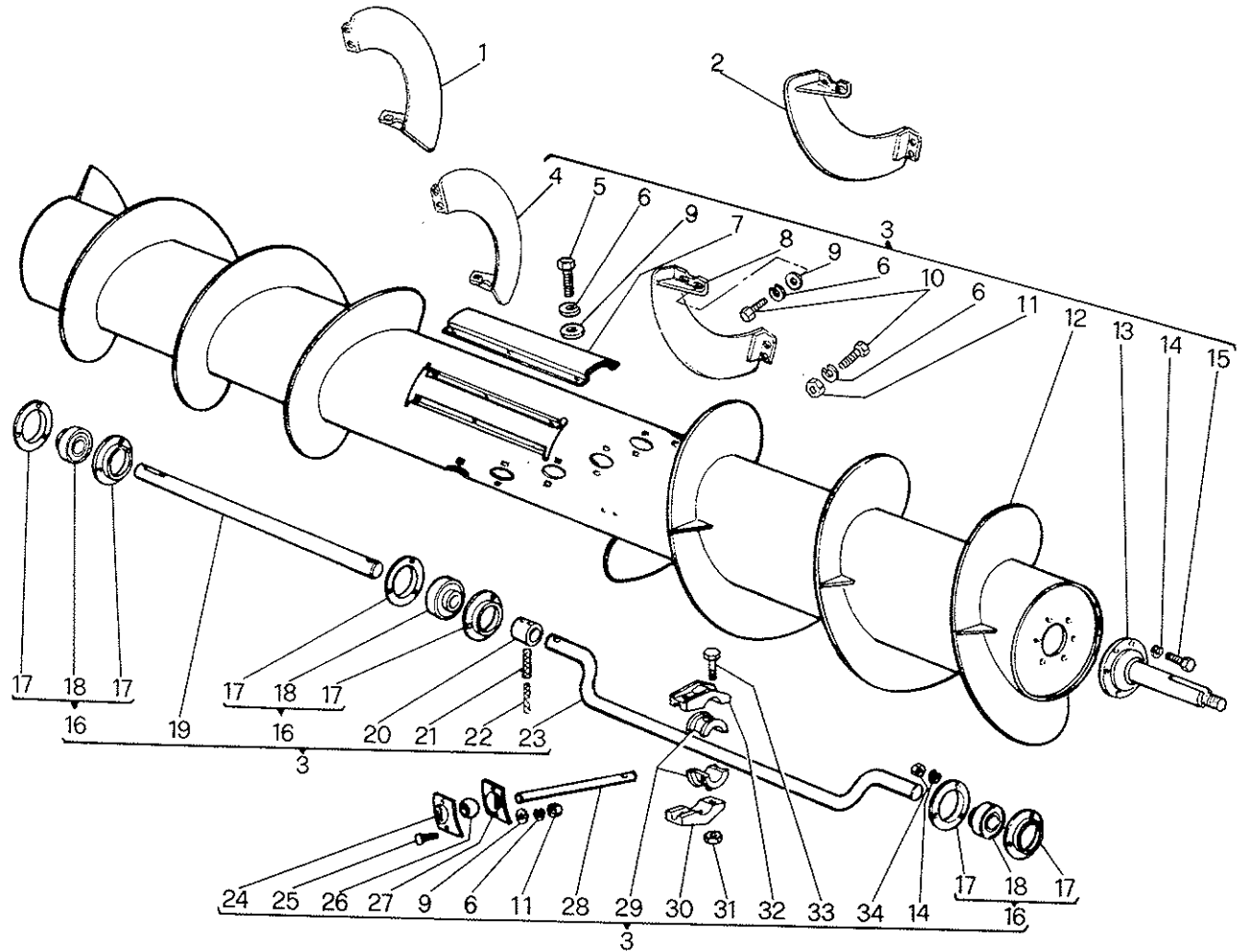
Q 15 E

5F750H12

6/1984

| MODIF. | RIF. | N° ORDIN. | DENOMINAZIONE | DESIGNATION | DENOMINACIONES | DESCRIPTION | BENENNUNG |
|--------|------|------------|-----------------------------|----------------------|----------------------|----------------------|---------------------|
| | 1 | 1.31395 | SPIRALE CENTRALE D. | SPIRAL CENTRAL D. | ESPIRAL CENTRAL DE. | CENTRAL SPIRAL, R.H. | ZENTRALSCHNECKEN R. |
| | 2 | 1.31396 | SPIRALE CENTRALE S. | SPIRAL CENTRAL S. | ESPIRAL CENTRAL IZ. | CENTRAL SPIRAL, L.H. | ZENTRALSCHNECKEN L. |
| | 3 | 1.32485.00 | COMPL. COCLEA | VIS ALIMENTATION CPT | CONJ. SIN FIN | AUGER, ASSY | EINZUGSCHNECKE L.. |
| | 4 | 1.35008 | SPIRALE CENTRALE D. CONICA | SPIRAL CENTRAL D. | ESPIRAL CENTRAL DE. | CENTRAL SPIRAL, R.H. | ZENTRALSCHNECKEN R. |
| | 5 | 621.0812 | VITE | VIS | TORNILLO | SCREW | SCHRAUBE |
| | 6 | 354.108 | ROSETTA ELASTICA | RONDELLE W | ARANDELA ELASTICA | SPRING WASHER | FEDERSCHEIBE |
| | 7 | 1.17172 | CHIUSURA FINESTRA COCLEA | FERMETURE | CIERRE | COVER | VERSCHLUSS |
| | 7 | 1.18945 | CHIUSURA FINESTRA COCLEA | FERMETURE | CIERRE | COVER | VERSCHLUSS |
| | 8 | 1.35007 | SPIRALE CENTRALE S. CONICA | SPIRAL CENTRAL G. | ESPIRAL CENTRAL IZ. | CENTRAL SPIRAL, L.H. | ZENTRALSCHNECKEN L. |
| | 9 | 355.00915 | RONDELLA | RONDELLE | ARANDELA | WASHER | SCHEIBE |
| | 10 | 621.0814 | VITE | VIS | TORNILLO | SCREW | SCHRAUBE |
| | 11 | 650.108 | DADO | ECROU | TUERCA | NUT | MUTTER |
| | 12 | 1.32485 | COCLEA | VIS ALIMENTATION | SIN-FIN ALIMENTACION | FEED AUGER | EINZUGSCHNECKE |
| | 13 | 1.29486 | ALBERO ESTERNO S. | ARBRE EXT. G. | ARBOL EXT. IZ. | EXT. SHAFT, L.H. | AUSSENWELLE L. |
| | 14 | 354.110 | ROSETTA ELASTICA | RONDELLE W | ARANDELA ELASTICA | SPRING WASHER | FEDERSCHEIBE |
| | 15 | 621.1014 | VITE | VIS | TORNILLO | SCREW | SCHRAUBE |
| | 16 | 411.009 | SUPPORTO CUSCINETTO | PALIER | COJINETE | BEARING SUPPORT | LAGERHALTER |
| | 17 | 411.405 | FLANGIA CUSCINETTO | FLASQUE | BRIDA | FLANGE | LAGERFLANSCH |
| | 18 | 411.205 | CUSCINETTO | ROULEMENT | RODAMIENTO | BEARING | LAGER |
| | 19 | 1.32489 | ALBERO INT. D. | ARBRE INT. D. | ARBOL INT. DE. | INNER SHAFT, R.H. | INNENWELLE R. |
| | 20 | 1.14608 | BOCCOLA COLLEGAMENTO | BAGUE | CASQUILLO | BUSH | BUECHSE |
| | 21 | 378.750 | SPINA ELASTICA | GOUPILLE ELASTIQUE | PASADOR | ROLL PIN | SPANNUELSE |
| | 22 | 378.450 | SPINA ELASTICA | GOUPILLE ELASTIQUE | PASADOR | ROLL PIN | SPANNUELSE |
| | 23 | 1.32488 | ALBERO DITI | ARBRE | ARBOL | SHAFT | WELLE |
| | 24 | 1.29172 | CALOTTA SUPERIORE | COSQUILLE SUP. | CALOTA SUP. | UPPER CAP | OBERKAPPE |
| | 25 | 600.0814 | VITE | VIS | TORNILLO | SCREW | SCHRAUBE |
| | 26 | 1.5644 | NOCE DITO | NOIX DE DOIGT | NUEZ DEL DIENTE | BEARING, FINGER | LAGERFINGER |
| | 27 | 1.29170 | CALOTTA INFERIORE | COSQUILLE INF. | CALOTA INF. | LOAER CAP | UNTERKAPPE |
| | 28 | 1.29698 | DITO ARTICOLATO | DOIGT | DIENTE | AUGER FINGER | FINGER |
| | 29 | 1.29659 | SEMIBOCCOLA SUPPORTO | DEMI-BAGUE | SEMI-COJINETE | HALF-BEARING | HAELFTBUECHSE |
| | 30 | 1.29700 | SEMISUPPORTO DITO SUPPORTO | DEMI-SUPPORT | SEMI-SOPORTE | HALF-SUPPORT | HAELFTHALTERUNG |
| | 31 | 653.108 | DADO | ECROU | TUERCA | NUT | MUTTER |
| | 32 | 1.29658 | SEMISUPPORTO DITO SUPERIORE | DEMI-SUPPORT | SEMI-SOPORTE | HALF-SUPPORT | HAELFTHALTERUNG |
| | 33 | 611.0822 | VITE | VIS | TORNILLO | SCREW | SCHRAUBE |
| | 34 | 650.110 | DADO | ECROU | TUERCA | NUT | MUTTER |

| MODIF. | RIF. | N° ORDIN. | QUANT. | NOTE |
|--------|------|------------|--------|------|
| | + 1 | 1.31395 | 1 | |
| | + 2 | 1.31396 | 1 | |
| | 3 | 1.32486.00 | 1 | |
| | 4 | 1.35008 | (1) | |
| | 5 | 621.0812 | (12) | |
| | 6 | 354.108 | (48) | |
| C 0724 | 7 | 1.17172 | (2) | |
| D 0724 | 7 | 1.18945 | (2) | |
| | 8 | 1.35007 | (1) | |
| | 9 | 355.00915 | (38) | |
| | 10 | 621.0814 | (8) | |
| | 11 | 650.108 | (32) | |
| | 12 | 1.32486 | (1) | |
| | 13 | 1.29486 | (1) | |
| | 14 | 354.110 | (15) | |
| | 15 | 621.1014 | (6) | |
| | 16 | 411.009 | (3) | |
| | 17 | 411.405 | (6) | |
| | 18 | 411.205 | (3) | |
| | 19 | 1.32490 | (1) | |
| | 20 | 1.14608 | (1) | |
| | 21 | 378.750 | (2) | |
| | 22 | 378.450 | (2) | |
| | 23 | 1.32488 | (1) | |
| | 24 | 1.29172 | (14) | |
| | 25 | 600.0814 | (28) | |
| | 26 | 1.5644 | (14) | |
| | 27 | 1.29170 | (14) | |
| | 28 | 1.29698 | (14) | |
| | 29 | 1.29659 | (28) | |
| | 30 | 1.29700 | (14) | |
| | 31 | 653.108 | (28) | |
| | 32 | 1.29658 | (14) | |
| | 33 | 611.0822 | (28) | |
| | 34 | 650.110 | (9) | |



D 0724 tel.n°5F273662 → ~~1.17172~~ = 1.18945 + (6) 355.00915

- + = IN DOTAZIONE
- + = EN DOTATION
- + = EN DOTACION
- + = STANDARD ITEM
- + = STANDARD

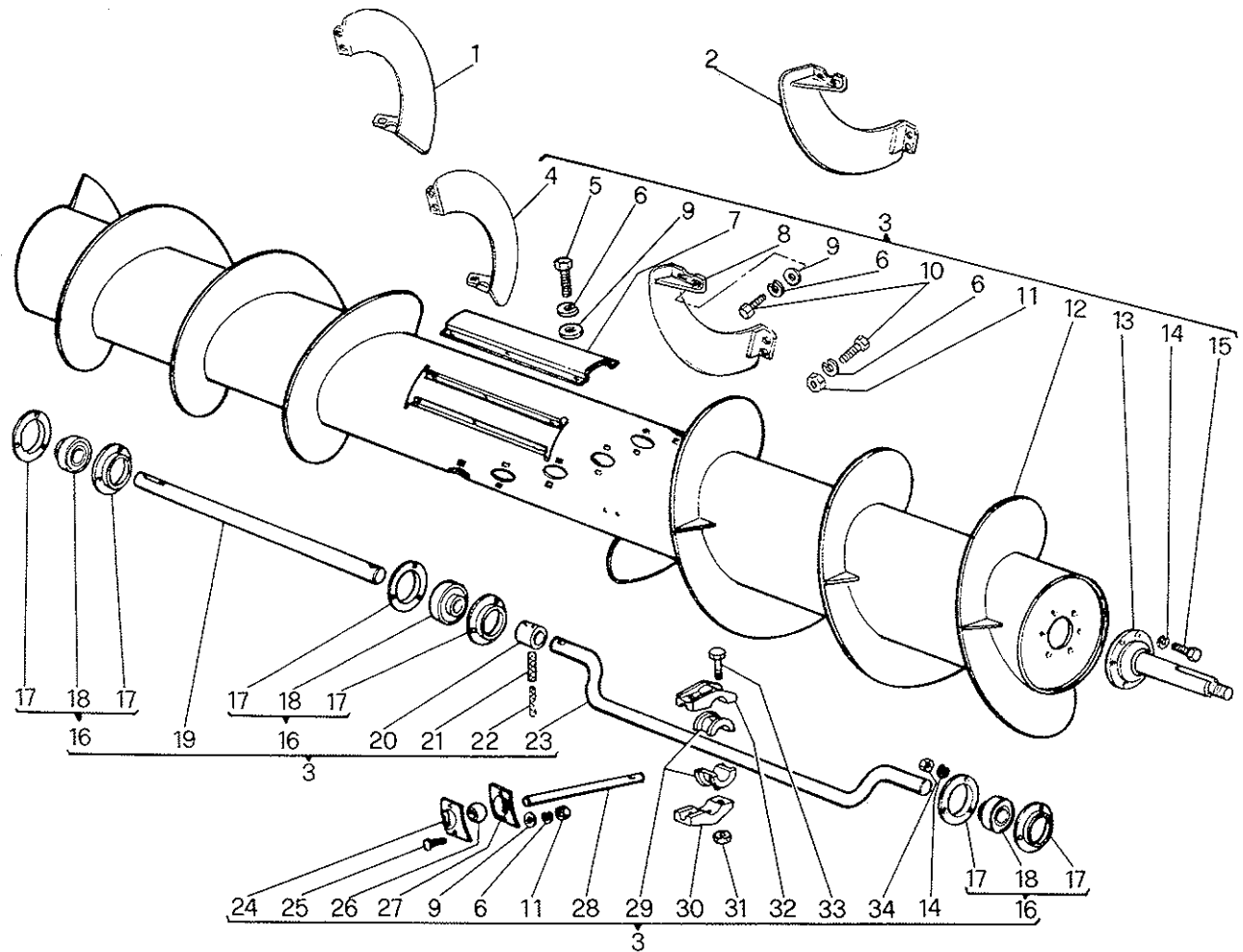
| | | |
|--------------|-------------------------------------------------------------------------------------------------------|----------|
| C 540 | COCLEA ALIMENTAZIONE VIS D'ALIMENTATION SIN-FIN ALIMENTACION FEEDING AUGER EINZUGSCHNECKE | Q 15 F |
| | 6/1984 | 5F750H14 |

Q 15 F

LAVERDA

| MODIF. | RIF. | N° ORDIN. | DENOMINAZIONE | DESIGNATION | DENOMINACIONES | DESCRIPTION | BENENNUNG |
|--------|------|------------|------------------------------|----------------------|----------------------|----------------------|---------------------|
| | 1 | 1.31395 | SPIRALE CENTRALE D. | SPIRAL CENTRAL D. | ESPIRAL CENTRAL DE. | CENTRAL SPIRAL, R.H. | ZENTRALSCHNECKEN R. |
| | 2 | 1.31396 | SPIRALE CENTRALE S. | SPIRAL CENTRAL G. | ESPIRAL CENTRAL IZ. | CENTRAL SPIRAL, L.H. | ZENTRALSCHNECKEN L. |
| | 3 | 1.32486.00 | COMPL. COCLEA | VIS ALIMENTATION CPT | CONJ. SIN FIN | AUGER, ASSY | EINZUGSCHNECKE KPL |
| | 4 | 1.35008 | SPIRALE CENTRALE D. CONICA | SPIRAL CENTRAL D. | ESPIRAL CENTRAL DE. | CENTRAL SPIRAL, R.H. | ZENTRALSCHNECKEN R. |
| | 5 | 621.0812 | VITE | VIS | TORNILLO | SCREW | SCHRAUBE |
| | 6 | 354.108 | ROSETTA ELASTICA | RONDELLE W | ARANDELA ELASTICA | SPRING WASHER | FEDERSCHEIBE |
| C 0724 | 7 | 1.17172 | CHIUSURA FINESTRA COCLEA | FERMETURE | CIERRE | COVER | VERSCHLUSS |
| D 0724 | 7 | 1.18945 | CHIUSURA FINESTRA COCLEA | FERMETURE | CIERRE | COVER | VERSCHLUSS |
| | 8 | 1.35007 | SPIRALE CENTRALE S. CONICA | SPIRAL CENTRAL G. | ESPIRAL CENTRAL IZ. | CENTRAL SPIRAL, L.H. | ZENTRALSCHNECKEN L. |
| | 9 | 355.00915 | RONDELLA | RONDELLE | ARANDELA | WASHER | SCHLEIFE |
| | 10 | 621.0814 | VITE | VIS | TORNILLO | SCREW | SCHRAUBE |
| | 11 | 650.108 | DADO | ECROU | TUERCA | NUT | MUTTER |
| | 12 | 1.32486 | COCLEA | VIS ALIMENTATION | SIN FIN ALIMENATCION | FEED AUGER | EINZUGSCHNECKE |
| | 13 | 1.29486 | ALBERO ESTERNO S. | ARBRE EXT. G. | ARBOL EXT. IZ. | EXT. SHAFT, L.H. | AUSSENWELLE L. |
| | 14 | 354.110 | ROSETTA ELASTICA | RONDELLE W | ARANDELA ELASTICA | SPRING WASHER | FEDERSCHEIBE |
| | 15 | 621.1014 | VITE | VIS | TORNILLO | SCREW | SCHRAUBE |
| | 16 | 411.009 | SUPPORTO CUSCINETTO | PALIER | COJINETE | BEARING SUPPORT | LAGERHALTER |
| | 17 | 411.405 | FLANGIA CUSCINETTO | FLASQUE | BRIDA | FLANGE | LAGERFLANSCH |
| | 18 | 411.205 | CUSCINETTO | ROULEMENT | RODAMIENTO | BEARING | LAGER |
| | 19 | 1.32490 | ALBERO INT. D. | ARBRE INT. D. | ARBOL INT. DE. | INNER SHAFT, R. | INNENWELLE R. |
| | 20 | 1.14608 | BOCCOLA COLLEGAMENTO | BAGUE | CASQUILLO | BUSH | BUECHSE |
| | 21 | 378.750 | SPINA ELASTICA | GOUPILLE ELASTIQUE | PASADOR | ROLL PIN | SPANNUELSE |
| | 22 | 378.450 | SPINA ELASTICA | GOUPILLE ELASTIQUE | PASADOR | ROLL PIN | SPANNUELSE |
| | 23 | 1.32488 | ALBERO DITI | ARBRE | ARBOL | SHAFT | WELLE |
| | 24 | 1.29172 | CALOTTA SUPERIORE | COSQUILLE SUP. | CALOTA SUP. | UPPER CAP | OBERKAPPE |
| | 25 | 600.0814 | VITE | VIS | TORNILLO | SCREW | SCHRAUBE |
| | 26 | 1.5644 | NOCE DITO | NOIX DE DOIGT | NUEZ DEL DIENTE | BEARING, FINGER | LAGERFINGER |
| | 27 | 1.29170 | CALOTTA INFERIORE | COSQUILLE INF. | CALOTA INF. | LOWER CAP | UNTERKAPPE |
| | 28 | 1.29698 | DITO ARTICOLATO | DOIGT | DIENTE | AUGER FINGER | FINGER |
| | 29 | 1.29659 | SEMIBOCCOLA SUPPORTO | DEMI-BAGUE | SEMI-COJINETE | HALF-BEARING | HAELFTBUECHSE |
| | 30 | 1.29700 | SEMISUPPORTO DITO ARTICOLATO | DEMI-SUPPORT | SEMI-SOPORTE | HALF-SUPPORT | HAELFTHALTERUNG |
| | 31 | 653.108 | DADO | ECROU | TUERCA | NUT | MUTTER |
| | 32 | 1.29658 | SEMISUPPORTO DITO SUPERIORE | DEMI-SUPPORT | SEMI-SOPORTE | HALF-SUPPORT | HAELFTHALTERUNG |
| | 33 | 611.0822 | VITE | VIS | TORNILLO | SCREW | SCHRAUBE |
| | 34 | 650.110 | DADO | ECROU | TUERCA | NUT | MUTTER |

| MODIF. | RIF. | N° ORDIN. | QUANT. | NOTE |
|--------|------|------------|--------|------|
| | + 1 | 1.31395 | 1 | |
| | + 2 | 1.31396 | 1 | |
| | 3 | 1.32487.00 | 1 | |
| | 4 | 1.35008 | (1) | |
| | 5 | 621.0812 | (12) | |
| | 6 | 354.108 | (48) | |
| C 0724 | 7 | 1.17172 | (2) | |
| D 0724 | 7 | 1.18945 | (2) | |
| | 8 | 1.35007 | (1) | |
| | 9 | 355.00915 | (38) | |
| | 10 | 621.0814 | (8) | |
| | 11 | 650.108 | (32) | |
| | 12 | 1.32487 | (1) | |
| | 13 | 1.29486 | (1) | |
| | 14 | 354.110 | (15) | |
| | 15 | 621.1014 | (6) | |
| | 16 | 411.009 | (3) | |
| | 17 | 411.405 | (6) | |
| | 18 | 411.205 | (3) | |
| | 19 | 1.32491 | (1) | |
| | 20 | 1.14608 | (1) | |
| | 21 | 378.750 | (2) | |
| | 22 | 378.450 | (2) | |
| | 23 | 1.32488 | (1) | |
| | 24 | 1.29172 | (14) | |
| | 25 | 600.0814 | (28) | |
| | 26 | 1.5644 | (14) | |
| | 27 | 1.29170 | (14) | |
| | 28 | 1.29698 | (14) | |
| | 29 | 1.29659 | (28) | |
| | 30 | 1.29700 | (14) | |
| | 31 | 653.108 | (28) | |
| | 32 | 1.29658 | (14) | |
| | 33 | 611.0822 | (28) | |
| | 34 | 650.110 | (9) | |



D 0724 tel.n°5F283665 → ~~1.17172~~ = 1.18945 + (6) 355.00915

- + = IN DOTAZIONE
- + = EN DOTATION
- + = EN DOTACION
- + = STANDARD ITEM
- + = STANDARD

C 600

COCLEA ALIMENTAZIONE
 VIS D'ALIMENTATION
 SIN-FIN ALIMENTACION
 FEEDING AUGER
 EINZUGSCHNECKE

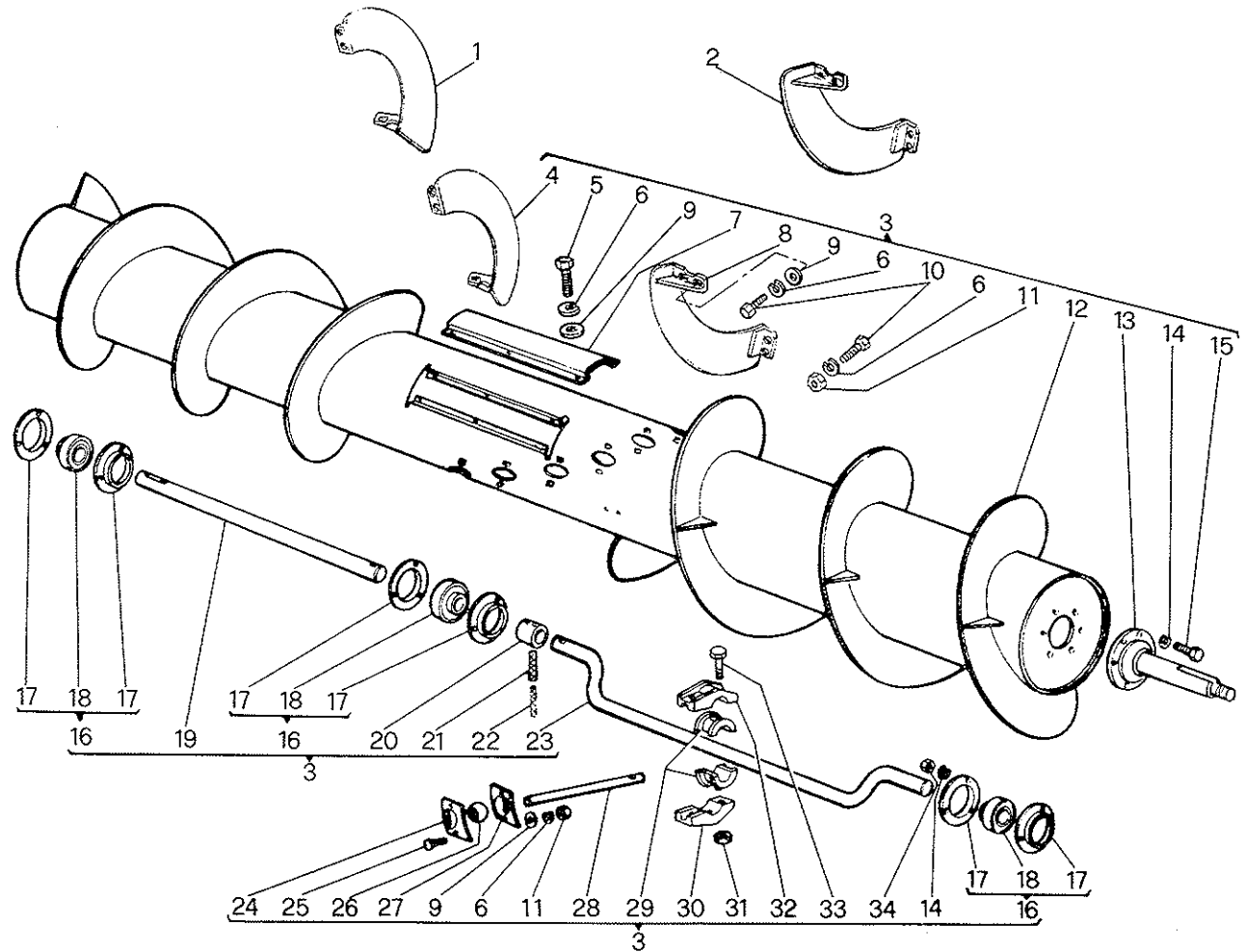
Q 15 G

5F750H16

6/1984

| MODIF. | RIF. | N° ORDIN. | DENOMINAZIONE | DESIGNATION | DENOMINACIONES | DESCRIPTION | BENENNUNG |
|--------|------|------------|------------------------------|----------------------|----------------------|----------------------|---------------------|
| | 1 | 1.31395 | SPIRALE CENTRALE D. | SPIRAL CENTRAL D. | ESPIRAL CENTRAL DE. | CENTRAL SPIRAL, R.H. | ZENTRALSCHNECKEN R. |
| | 2 | 1.31396 | SPIRALE CENTRALE S. | SPIRAL CENTRAL G. | ESPIRAL CENTRAL IZ. | CENTRAL SPIRAL, L.H. | ZENTRALSCHNECKEN L. |
| | 3 | 1.32487.00 | COMPL. COCLEA | VIS ALIMENTATION CPT | CONJ. SIN FIN | AUGER, ASSY | EINZUGSCHNECKE KPL |
| | 4 | 1.35008 | SPIRALE CENTRALE D. CONICA | SPIRAL CENTRAL D. | ESPIRAL CENTRAL DE. | CENTRAL SPIRAL, R.H. | ZENTRALSCHNECKEN R. |
| | 5 | 621.0812 | VITE | VIS | TORNILLO | SCREW | SCHRAUBE |
| | 6 | 354.108 | ROSETTA ELASTICA | RONDELLE W | ARANDELA ELASTICA | SPRING WASHER | FEDERSCHEIBE |
| C 0724 | 7 | 1.17172 | CHIUSURA FINESTRA COCLEA | FERMETURE | CIERRE | COVER | VERSCHLUSS |
| D 0724 | 7 | 1.18945 | CHIUSURA FINESTRA COCLEA | FERMETURE | CIERRE | COVER | VERSCHLUSS |
| | 8 | 1.35007 | SPIRALE CENTRALE S. CONICA | SPIRAL CENTRAL G. | ESPIRAL CENTRAL IZ. | CENTRAL SPIRAL, L.H. | ZENTRALSCHNECKEN L. |
| | 9 | 355.00915 | RONDELLA | RONDELLE | ARANDELA | WASHER | SCHIEBE |
| | 10 | 621.0814 | VITE | VIS | TORNILLO | SCREW | SCHRAUBE |
| | 11 | 650.108 | DADO | ECROU | TUERCA | NUT | MUTTER |
| | 12 | 1.32487 | COCLEA | VIS ALIMENTATION | SIN FIN ALIMENTACION | FEED AUGER | EINZUGSCHNECKE |
| | 13 | 1.29486 | ALBERO ESTERNO S. | ARBRE EXT. G. | ARBOL EXT. IZ. | EXT. SHAFT, L.H. | AUSSENWELLE L. |
| | 14 | 354.110 | ROSETTA ELASTICA | RONDELLE W | ARANDELA ELASTICA | SPRING WASHER | FEDERSCHEIBE |
| | 15 | 621.1014 | VITE | VIS | TORNILLO | SCREW | SCHRAUBE |
| | 16 | 411.009 | SUPPORTO CUSCINETTO | PALIER | COJINETE | BEARING SUPPORT | LAGERHALTER |
| | 17 | 411.405 | FLANGIA CUSCINETTO | FLASQUE | BRIDA | FLANGE | LAGERFLANSCH |
| | 18 | 411.205 | CUSCINETTO | ROULEMENT | RODAMIENTO | BEARING | LAGER |
| | 19 | 1.32491 | ALBERO INT. D. | ARBRE INT. D. | ARBOL INT. DE. | INNER SHAFT, R.H. | INNENWELLE R. |
| | 20 | 1.14608 | BOCCOLA COLLEGAMENTO | BAGUE | CASQUILLO | BUSH | BUECHSE |
| | 21 | 378.750 | SPINA ELASTICA | GOUPILE ELASTIQUE | PASADOR | ROLL PIN | SPANNUELSE |
| | 22 | 378.450 | SPINA ELASTICA | GOUPILE ELASTIQUE | PASADOR | ROLL PIN | SPANNUELSE |
| | 23 | 1.32488 | ALBERO DITI | ARBRE | ARBOL | SHAFT | WELLE |
| | 24 | 1.29172 | CALOTTA SUPERIORE | COSQUILLE SUP. | CALOTA SUP. | UPPER CAP | OBERKAPPE |
| | 25 | 600.0814 | VITE | VIS | TORNILLO | SCREW | SCHRAUBE |
| | 26 | 1.5644 | NOCE DITO | NOIX DE DOIGT | NUEZ DEL DIENTE | BEARING, FINGER | LAGERFINGER |
| | 27 | 1.29170 | CALOTTA INFERIORE | COSQUILLE INF. | CALOTA INF. | LOWER CAP | UNTERKAPPE |
| | 28 | 1.29698 | DITO ARTICOLATO | DOIGT | DIENTE | AUGER FINGER | FINGER |
| | 29 | 1.29659 | SEMIBOCCOLA SUPPORTO | DEMI-BAGUE | SEMI-COJINETE | HALF-BEARING | HAELFTBUECHSE |
| | 30 | 1.29700 | SEMISUPPORTO DITO ARTICOLATO | DEMI-SUPPORT | SEMI-SOPORTE | HALF-SUPPORT | HAELFTHALTERUNG |
| | 31 | 653.108 | DADO | ECROU | TUERCA | NUT | MUTTER |
| | 32 | 1.29658 | SEMISUPPORTO DITO SUPERIORE | DEMI-SUPPORT | SEMI-SOPORTE | HALF-SUPPORT | HAELFTHALTERUNG |
| | 33 | 611.0822 | VITE | VIS | TORNILLO | SCREW | SCHRAUBE |
| | 34 | 650.110 | DADO | ECROU | TUERCA | NUT | MUTTER |

| MODIF. | RIF. | N° ORDIN. | QUANT. | NOTE |
|--------|------|------------|--------|------|
| | + 1 | 1.31395 | 1 | |
| | + 2 | 1.31396 | 1 | |
| | 3 | 1.35666.00 | 1 | |
| | 4 | 1.35008 | (1) | |
| | 5 | 621.0812 | (12) | |
| | 6 | 354.108 | (48) | |
| C 0724 | 7 | 1.17172 | (2) | |
| D 0724 | 7 | 1.18945 | (2) | |
| | 8 | 1.35007 | (1) | |
| | 9 | 355.00915 | (38) | |
| | 10 | 621.0814 | (8) | |
| | 11 | 650.108 | (32) | |
| | 12 | 1.35666 | (1) | |
| | 13 | 1.29486 | (1) | |
| | 14 | 354.110 | (15) | |
| | 15 | 621.1014 | (6) | |
| | 16 | 411.009 | (3) | |
| | 17 | 411.405 | (6) | |
| | 18 | 411.205 | (3) | |
| | 19 | 1.35701 | (1) | |
| | 20 | 1.14608 | (1) | |
| | 21 | 378.750 | (2) | |
| | 22 | 378.450 | (2) | |
| | 23 | 1.32488 | (1) | |
| | 24 | 1.29172 | (14) | |
| | 25 | 600.0814 | (28) | |
| | 26 | 1.5644 | (14) | |
| | 27 | 1.29170 | (14) | |
| | 28 | 1.29698 | (14) | |
| | 29 | 1.29659 | (28) | |
| | 30 | 1.29700 | (14) | |
| | 31 | 653.108 | (28) | |
| | 32 | 1.29658 | (14) | |
| | 33 | 611.0822 | (28) | |
| | 34 | 650.110 | (9) | |



D 0724 tel.n°5F293670 → ~~1.17172~~ = 1.18945 + (6) 355.00915

- + = IN DOTAZIONE
- + = EN DOTATION
- + = EN DOTACION
- + = STANDARD ITEM
- + = STANDARD

C 660

COCLEA ALIMENTAZIONE
 VIS D'ALIMENTATION
 SIN-FIN ALIMENTACION
 FEEDING AUGER
 EINZUGSCHNECKE

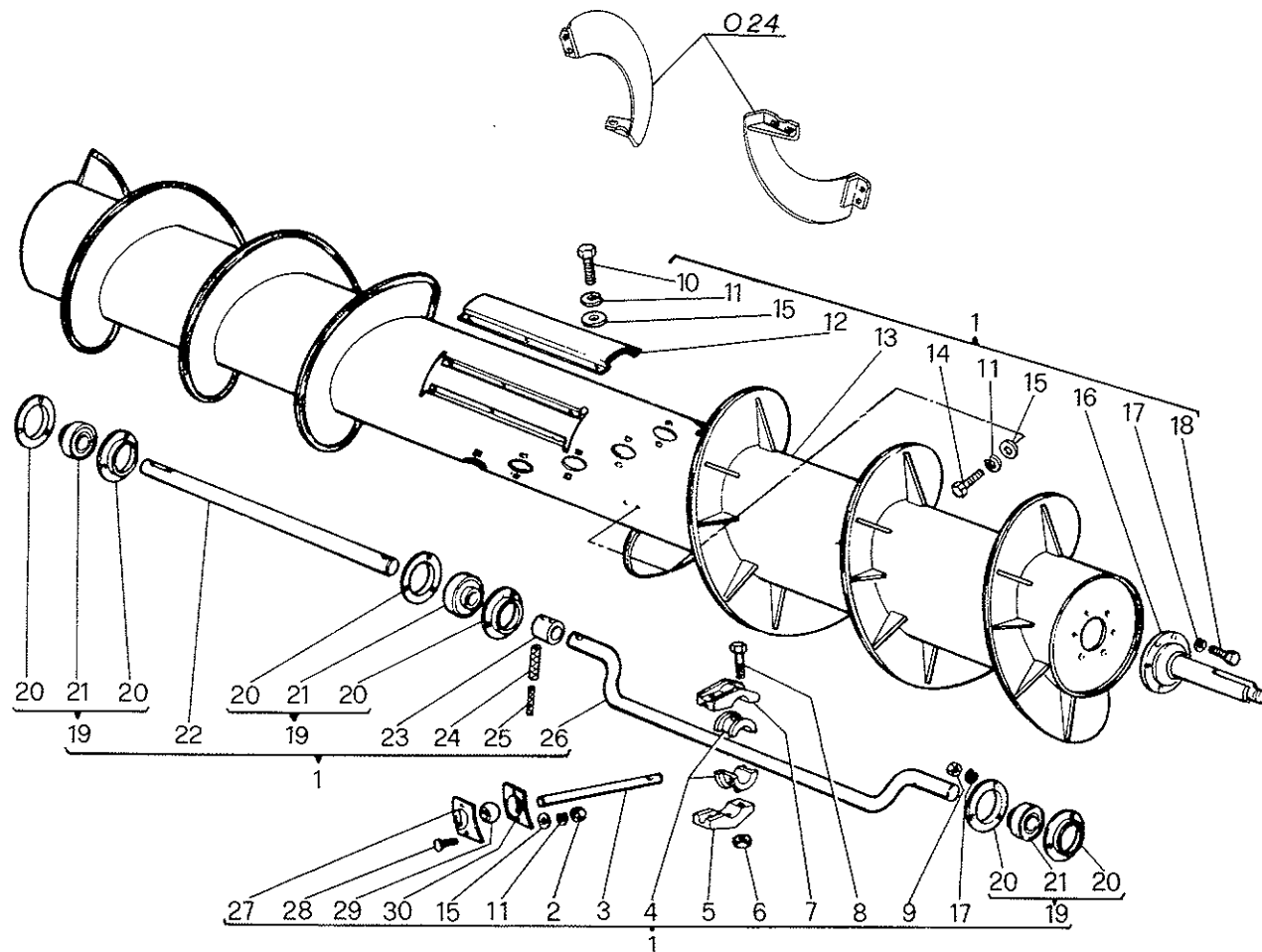
Q 15 H

5F750H18

6/1984

| MODIF. | RIF. | N° ORDIN. | DENOMINAZIONE | DESIGNATION | DENOMINACIONES | DESCRIPTION | BENENNUNG |
|--------|------|------------|------------------------------|----------------------|----------------------|----------------------|---------------------|
| | 1 | 1.31395 | SPIRALE CENTRALE D. | SPIRAL CENTRAL D. | ESPIRAL CENTRAL DE. | CENTRAL SPIRAL, R.H. | ZENTRALSCHNECKEN R. |
| | 2 | 1.31396 | SPIRALE CENTRALE S. | SPIRAL CENTRAL G. | ESPIRAL CENTRAL IZ. | CENTRAL SPIRAL, L.H. | ZENTRALSCHNECKEN L. |
| | 3 | 1.35666.00 | COMPL. COCLEA | VIS ALIMENTATION CPT | CONJ. SIN FIN | AUGER, ASSY | EINZUGSCHNECKE KPL |
| | 4 | 1.35008 | SPIRALE CENTRALE D. CONICA | SPIRAL CENTRAL D. | ESPIRAL CENTRAL DE. | CENTRAL SPIRAL, R.H. | ZENTRALSCHNECKEN R. |
| | 5 | 621.0812 | VITE | VIS | TORNILLO | SCREW | SCHRAUBE |
| | 6 | 354.108 | ROSETTA ELASTICA | RONDELLE W | ARANDELA ELASTICA | SPRING WASHER | FEDERSCHLEIBE |
| C 0724 | 7 | 1.17172 | CHIUSURA FINESTRA COCLEA | FERMETURE | CIERRE | COVER | VERSCHLUSS |
| D 0724 | 7 | 1.18945 | CHIUSURA FINESTRA COCLEA | FERMETURE | CIERRE | COVER | VERSCHLUSS |
| | 8 | 1.35007 | SPIRALE CENTRALE S. COCLEA | SPIRAL CENTRAL G. | ESPIRAL CENTRAL IZ. | CENTRAL SPIRAL, L.H. | ZENTRALSCHNECKEN L. |
| | 9 | 355.00915 | RONDELLA | RONDELLE | ARANDELA | WASHER | SCHLEIBE |
| | 10 | 621.0814 | VITE | VIS | TORNILLO | SCREW | SCHRAUBE |
| | 11 | 650.108 | DADO | ECROU | TUERCA | NUT | MUTTER |
| | 12 | 1.35666 | COCLEA | VIS ALIMENTATION | SIN FIN ALIMENTACION | FEED AUGER | EINZUGSCHNECKE |
| | 13 | 1.29486 | ALBERO ESTERNO S. | ARBRE EXT. G. | ARBOL EXT. IZ. | EXT. SHAFT, L.H. | AUSSENWELLE L. |
| | 14 | 354.110 | ROSETTA ELASTICA | RONDELLE W | ARANDELA ELASTICA | SPRING WASHER | FEDERSCHLEIBE |
| | 15 | 621.1014 | VITE | VIS | TORNILLO | SCREW | SCHRAUBE |
| | 16 | 411.009 | SUPPORTO CUSCINETTO | PALIER | COJINETE | BAERING SUPPORT | LAGERHALTER |
| | 17 | 411.405 | FLANGIA CUSCINETTO | FLASQUE | BRIDA | FLANGE | LAGERFLANSCH |
| | 18 | 411.205 | CUSCINETTO | ROULEMENT | RODAMIENTO | BEARING | LAGER |
| | 19 | 1.35701 | ALBERO INT. D. | ARBRE INT. D. | ARBOL INT. DE. | INNER SHAFT, R.H. | INNENWELLE R. |
| | 20 | 1.14608 | BOCCOLA COLLEGAMENTO | BAGUE | CASQUILLO | BUSH | BUECHSE |
| | 21 | 378.750 | SPINA ELASTICA | GOUPILLE ELASTIQUE | PASADOR | ROLL PIN | SPANNUELSE |
| | 22 | 378.450 | SPINA ELASTICA | GOUPILLE ELASTIQUE | PASADOR | ROLL PIN | SPANNUELSE |
| | 23 | 1.32488 | ALBERO DITI | ARBRE | ARBOL | SHAFT | WELLE |
| | 24 | 1.29172 | CALOTTA SUPERIORE | COSQUILLE SUP. | CALOTA SUP. | UPPER CAP | OBERKAPPE |
| | 25 | 600.0814 | VITE | VIS | TORNILLO | SCREW | SCHRAUBE |
| | 26 | 1.5644 | NOCE DITO | NOIX DE DOIGT | NUEZ DEL DIENTE | BEARING, FINGER | LAGERFINGER |
| | 27 | 1.29170 | CALOTTA INFERIORE | COSQUILLE INF. | CALOTA INF. | LOWER CAP | UNTERKAPPE |
| | 28 | 1.29698 | DITO ARTICOLATO | DOIGT | DIENTE | AUGER FINGER | FINGER |
| | 29 | 1.29659 | SEMIBOCCOLA SUPPORTO | DEMI-BAGUE | SEMI-COJINETE | HALF-BEARING | HAELFTHALTERUNG |
| | 30 | 1.29700 | SEMISUPPORTO DITO ARTICOLATO | DEMI-SUPPORT | SEMI-SOPORTE | HALF-SUPPORT | HAELFTHALTERUNG |
| | 31 | 653.108 | DADO | ECROU | TUERCA | NUT | MUTTER |
| | 32 | 1.29658 | SEMISUPPORTO DITO SUP. | DEMI-SUPPORT | SEMI-SOPORTE | HALF-SUPPORT | HAELFTHALTERUNG |
| | 33 | 611.0822 | VITE | VIS | TORNILLO | SCREW | SCHRAUBE |
| | 34 | 650.110 | DADO | ECROU | TUERCA | NUT | MUTTER |

| MODIF. | RIF. | N° ORDIN. | QUANT. | NOTE |
|--------|------|------------|--------|------|
| | 1 | 1.25797.00 | 1 | |
| | 2 | 650.108 | (24) | |
| | 3 | 1.29698 | (12) | |
| | 4 | 1.29659 | (24) | |
| | 5 | 1.29700 | (12) | |
| | 6 | 653.108 | (24) | |
| | 7 | 1.29658 | (12) | |
| | 8 | 611.0822 | (24) | |
| | 9 | 650.110 | (9) | |
| | 10 | 621.0812 | (12) | |
| | 11 | 354.108 | (40) | |
| C 0724 | 12 | 1.17172 | (2) | |
| D 0724 | 12 | 1.18945 | (2) | |
| | 13 | 1.25797 | (1) | |
| | 14 | 621.0814 | (4) | |
| | 15 | 355.00915 | (34) | |
| | 16 | 1.29486 | (1) | |
| | 17 | 354.110 | (15) | |
| | 18 | 621.1014 | (6) | |
| | 19 | 411.009 | (3) | |
| | 20 | 411.405 | (6) | |
| | 21 | 411.205 | (3) | |
| | 22 | 1.25787 | (1) | |
| | 23 | 1.14608 | (1) | |
| | 24 | 378.750 | (2) | |
| | 25 | 378.450 | (2) | |
| | 26 | 1.32488 | (1) | |
| | 27 | 1.29172 | (12) | |
| | 28 | 60C.0814 | (24) | |
| | 29 | 1.5644 | (12) | |
| | 30 | 1.29170 | (12) | |



D 0724 tel.n°5F223663 → ~~1.17172~~ = 1.18945 + (6) 355.00915

C 310

COCLEA ALIMENTAZIONE PER RISO
 VIS D'ALIMENTATION POUR RIZ
 SIN-FIN ALIMENTACION PARA ARROZ
 RICE FEEDING AUGER
 REISS EINZUGSCHNECKE

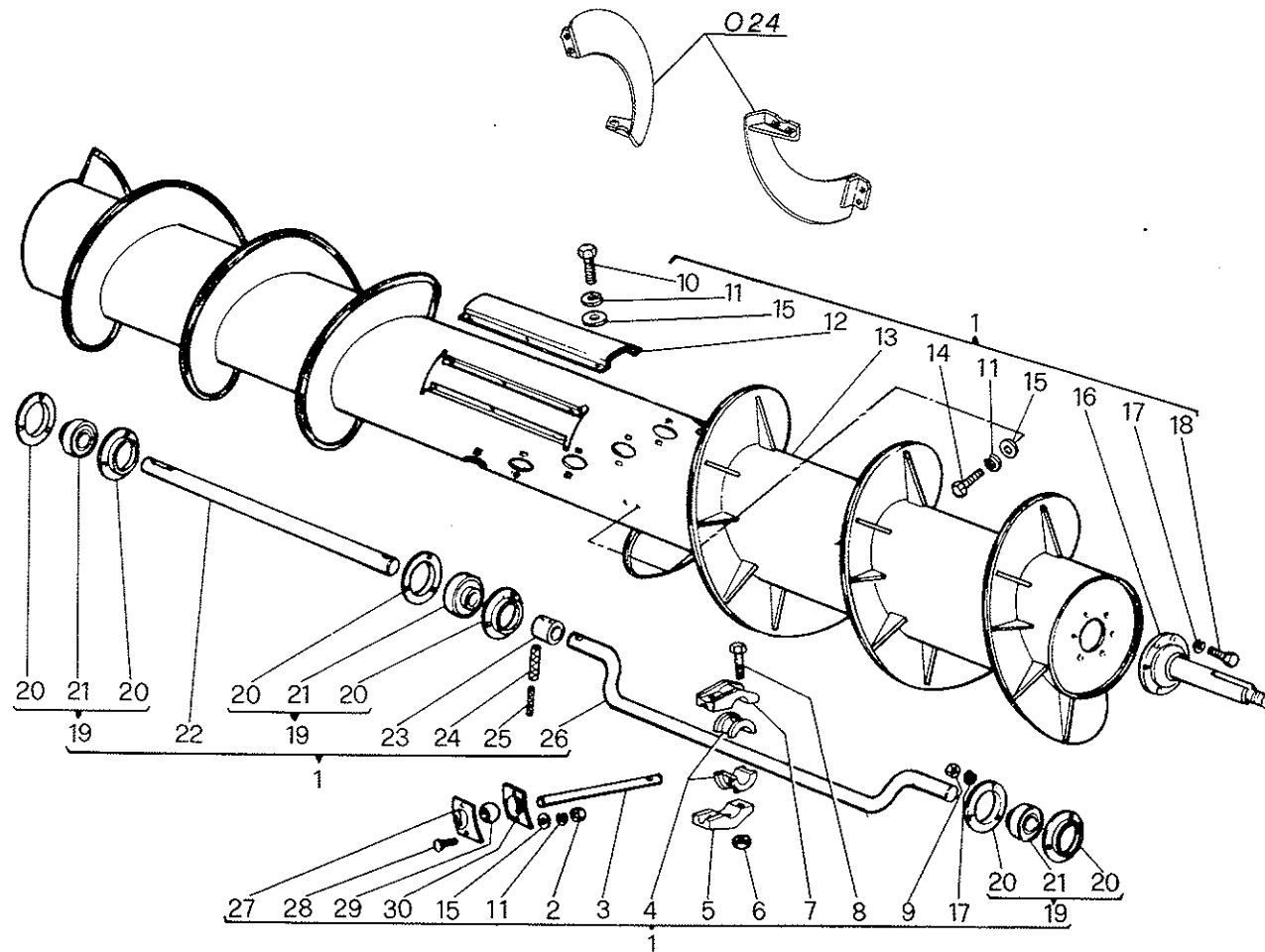
Q 15 M

SF750H23

6/1984

| MODIF. | RIF. | N° ORDIN. | DENOMINAZIONE | DESIGNATION | DENOMINACIONES | DESCRIPTION | BENENNUNG |
|--------|------|------------|------------------------------|----------------------|----------------------|-------------------|--------------------|
| | 1 | 1.25797.00 | COMPL. COCLEA | VIS ALIMENTACION CPT | CONJ. SIN-FIN | AUGER, ASSY | EINZUGSCHNECKE KPL |
| | 2 | 650.108 | DADO | ECROU | TUERCA | NUT | MUTTER |
| | 3 | 1.29698 | DITO ARTICOLATO | DOIGT | DIENTE | AUGER FINGER | FINGER |
| | 4 | 1.29659 | SEMIBOCCOLA SUPPORTO | DEMI-BAGUE | SEMI-COJINETE | HALF-BEARING | HAELFTBUECHSE |
| | 5 | 1.29700 | SEMISUPPORTO DITO ARTICOLATO | DEMI-SUPPORT | SEMI-SOPORTE | HALF-SUPPORT | HAELFTHALTERUNG |
| | 6 | 653.108 | DADO | ECROU | TUERCA | NUT | MUTTER |
| | 7 | 1.29658 | SEMISUPPORTO DITO SUPERIORE | DEMI-SUPPORT | SEMI-SOPORTE | HALF-SUPPORT | HAELFTHALTERUNG |
| | 8 | 611.0822 | VITE | VIS | TORNILLO | SCREW | SCHRAUBE |
| | 9 | 650.110 | DADO | ECROU | TUERCA | NUT | MUTTER |
| | 10 | 621.0812 | VITE | VIS | TORNILLO | SCREW | SCHRAUBE |
| | 11 | 354.108 | ROSETTA ELASTICA | RONDELLE W | ARANDELA ELASTICA | SPRING WASHER | FEDERSCHEIBE |
| C 0724 | 12 | 1.17172 | CHIUSURA FINESTRA COCLEA | FERMETURE | CIERRE | COVER | VERSCHLUSS |
| D 0724 | 12 | 1.18945 | CHIUSURA FINESTRA COCLEA | FERMETURE | CIERRE | COVER | VERSCHLUSS |
| | 13 | 1.25797 | COCLEA | VIS ALIMENTATION | SIN-FIN ALIMENTACION | FEED AUGER | EINZUGSCHNECKE |
| | 14 | 621.0814 | VITE | VIS | TORNILLO | SCREW | SCHRAUBE |
| | 15 | 355.00915 | RONDELLA | RONDELLE | ARANDELA | WASHER | SCHEIBE |
| | 16 | 1.29486 | ALBERO ESTERNO S. | ARBRE EXT. G. | ARBOL EXT. IZ. | EXT. SHAFT, L.H. | AUSSENWELLE L. |
| | 17 | 354.110 | ROSETTA ELASTICA | RONDELLE W | ARANDELA ELASTICA | SPRING WASHER | FEDERSCHEIBE |
| | 18 | 621.1014 | VITE | VIS | TORNILLO | SCREW | SCHRAUBE |
| | 19 | 411.009 | SUPPORTO CUSCINETTO | PALIER | COJINETE | BEARIN SUPPORT | LAGERHALTER |
| | 20 | 411.405 | FLANGIA CUSCINETTO | FLASQUE | BRIDA | FLANGE | LAGERFLANSCH |
| | 21 | 411.205 | CUSCINETTO | ROULEMENT | RODAMIENTO | BEARING | LAGER |
| | 22 | 1.25787 | ALBERO INT. D. | ARBRE INT. D. | ARBOL INT. DE. | INNER SHAFT, R.H. | INNENWELLE R. |
| | 23 | 1.14608 | BOCCOLA COLLEGAMENTO | BAGUE | CASQUILLO | BUSH | BUECHSE |
| | 24 | 378.750 | SPINA ELASTICA | GOUPILLE ELASTIQUE | PASADOR | ROLL PIN | SPANNUELSE |
| | 25 | 378.450 | SPINA ELASTICA | GOUPILLE ELASTIQUE | PASADOR | ROLL PIN | SPANNUELSE |
| | 26 | 1.32488 | ALBERO DITI | ARBRE | ARBOL | SHAFT | WELLE |
| | 27 | 1.29172 | CALOTTA SUPERIORE | COSQUILLE SUP. | CALOT SUP. | UPPER CAP | OBERKAPPE |
| | 28 | 600.0814 | VITE | VIS | TORNILLO | SCREW | SCHRAUBE |
| | 29 | 1.5644 | NOCE DITO | NOIX DE DOIGT | NUEZ DEL DIENTE | BEARING FINGER | LAGERFINGER |
| | 30 | 1.29170 | CALOTTA INFERIORE | COSQUILLE INF. | CALOTA INF. | LOWER CAP | UNTERKAPPE |

| MODIF. | RIF. | N° ORDIN. | QUANT. | NOTE |
|--------|------|------------|--------|------|
| | 1 | 1.31981.00 | 1 | |
| | 2 | 650.108 | (24) | |
| | 3 | 1.29698 | (12) | |
| | 4 | 1.29659 | (24) | |
| | 5 | 1.29700 | (12) | |
| | 6 | 653.108 | (24) | |
| | 7 | 1.29658 | (12) | |
| | 8 | 611.0822 | (24) | |
| | 9 | 650.110 | (9) | |
| | 10 | 621.0812 | (12) | |
| | 11 | 354.108 | (40) | |
| C 0724 | 12 | 1.17172 | (2) | |
| D 0724 | 12 | 1.18945 | (2) | |
| | 13 | 1.31981 | (1) | |
| | 14 | 621.0814 | (4) | |
| | 15 | 355.00915 | (34) | |
| | 16 | 1.29486 | (1) | |
| | 17 | 354.110 | (15) | |
| | 18 | 621.1014 | (6) | |
| | 19 | 411.009 | (3) | |
| | 20 | 411.405 | (6) | |
| | 21 | 411.205 | (3) | |
| | 22 | 1.31967 | (1) | |
| | 23 | 1.14608 | (1) | |
| | 24 | 378.750 | (2) | |
| | 25 | 378.450 | (2) | |
| | 26 | 1.32488 | (1) | |
| | 27 | 1.29172 | (12) | |
| | 28 | 600.0814 | (24) | |
| | 29 | 1.5644 | (12) | |
| | 30 | 1.29170 | (12) | |



D 0724 tel.n°5F233440 → ~~1.17172~~ = 1.18945 + (6) 355.00915

C 360

COCLEA ALIMENTAZIONE PER RISO
 VIS D'ALIMENTATION POUR RIZ
 SIN-FIN ALIMENTACION PARA ARROZ
 RICE FEEDING AUGER
 REISS EINZUGSCHNECKE

Q 15 N

SF750H25

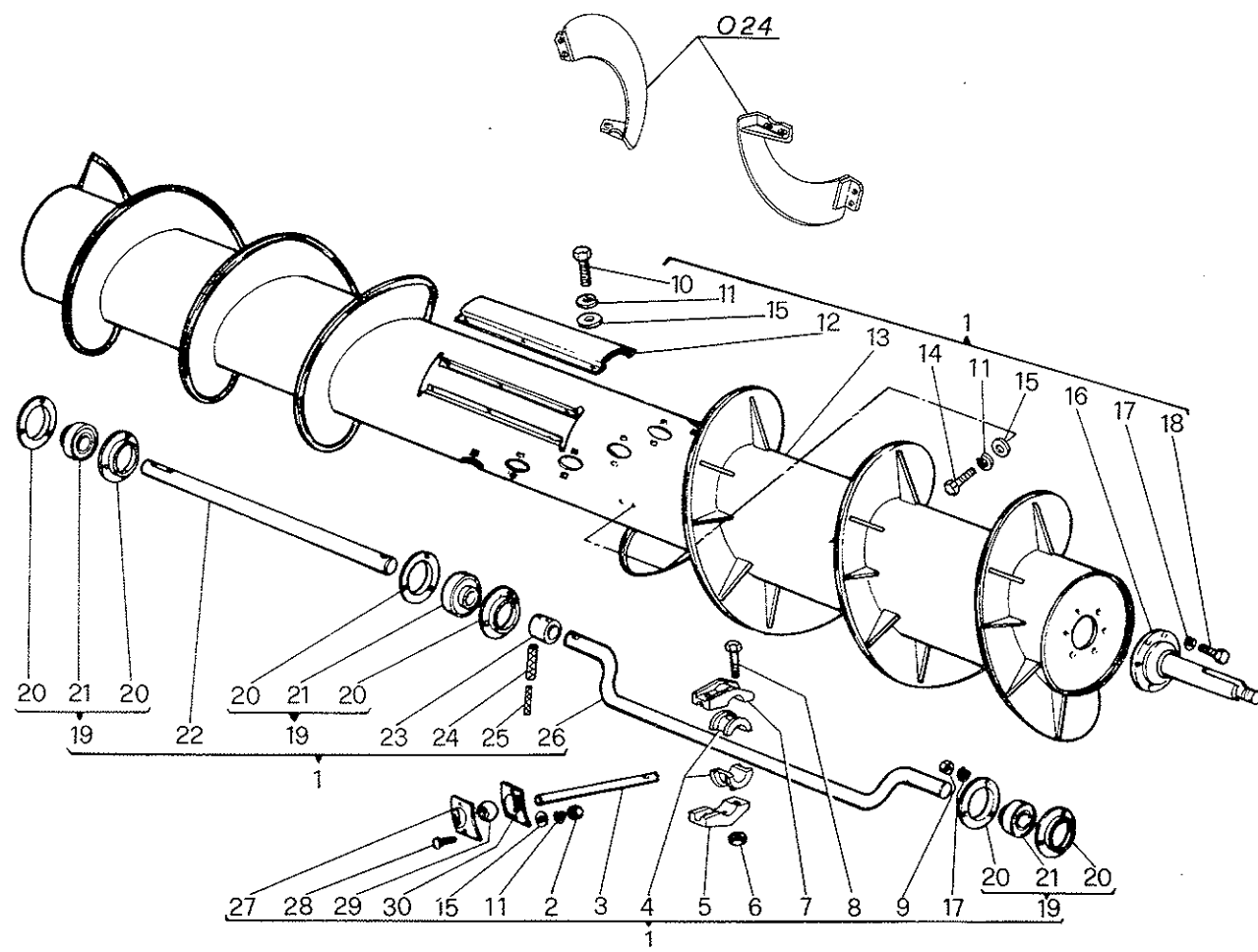
6/1984

Q 15 N

LAZERDA

| MODIF | RIF | N° ORDIN. | DENOMINAZIONE | DESIGNATION | DENOMINACIONES | DESCRIPTION | BENENNUNG |
|--------|-----|------------|------------------------------|----------------------|----------------------|-------------------|--------------------|
| | 1 | 1.31981.00 | COMPL. COCLEA | VIS ALIMENTATION CPT | CONJ. SIN FIN | AUGER, ASSY | EINZUGSCHNECKE KPL |
| | 2 | 650.108 | DADO | ECROU | TUERCA | NUT | MUTTER |
| | 3 | 1.29698 | DITO ARTICOLATO | DOIGT | DIENTE | AUGER FINGER | FINGER |
| | 4 | 1.29659 | SEMIBOCCOLA SUPPORTO | DEMI-BAGUE | SEMI-COJINETE | HALF-BEARING | HAELFTBUECHSE |
| | 5 | 1.29700 | SEMISUPPORTO DITO ARTICOLATO | DEMI-SUPPORT | SEMI-SOPORTE | HALF-SUPPORT | HAELFTHALTERUNG |
| | 6 | 653.108 | DADO | ECROU | TUERCA | NUT | MUTTER |
| | 7 | 1.29658 | SEMISUPPORTO DITO ARTICOLATO | DEMI-SUPPORT | SEMI-SOPORTE | HALF-SUPPORT | HAELFTHALTERUNG |
| | 8 | 611.0822 | VITE | VIS | TORNILLO | SCREW | SCHRAUBE |
| | 9 | 650.110 | DADO | ECROU | TUERCA | NUT | MUTTER |
| | 10 | 621.0812 | VITE | VIS | TORNILLO | SCREW | SCHRAUBE |
| | 11 | 354.108 | ROSETTA ELASTICA | RONDELLE W | ARANDELA ELASTICA | SPRING WASHER | FEDERSCHEIBE |
| C 0724 | 12 | 1.17172 | CHIUSURA FINESTRA COCLEA | FERMETURE | CIERRE | COVER | VERSCHLUSS |
| D 0724 | 12 | 1.18945 | CHIUSURA FINESTRA COCLEA | FERMETURE | CIERRE | COVER | VERSCHLUSS |
| | 13 | 1.31981 | COCLEA | VIS ALIMENTATION | SIN-FIN ALIMENTACION | FEED AUGER | EINZUGSCHNECKE |
| | 14 | 621.0814 | VITE | VIS | TORNILLO | SCREW | SCHRAUBE |
| | 15 | 355.00915 | RONDELLA | RONDELLE | ARANDELA | WASHER | SCHEIBE |
| | 16 | 1.29486 | ALBERO ESTERNO S. | ARBRE EXT. G. | ARBOL EXT. IZ. | EXT. SHAFT, L.H. | AUSSENWELLE L. |
| | 17 | 354.110 | ROSETTA ELASTICA | RONDELLE W | ARANDELA ELASTICA | SPRING WASHER | FEDERSCHEIBE |
| | 18 | 621.1014 | VITE | VIS | TORNILLO | SCREW | SCHRAUBE |
| | 19 | 411.009 | SUPPORTO CUSCINETTO | PALIER | COJINETE | BEARING SUPPORT | LAGERHALTER |
| | 20 | 411.405 | FLANGIA CUSCINETTO | FLASQUE | BRIDA | FLANGE | LAGERFLANSCH |
| | 21 | 411.205 | CUSCINETTO | ROULEMENT | RODAMIENTO | BEARING | LAGER |
| | 22 | 1.31967 | ALBERO INT. D. | ARBRE INT. D. | ARBOL INT. DE. | INNER SHAFT, R.H. | INNENWELLE R. |
| | 23 | 1.14608 | BOCCOLA COLLEGAMENTO | BAGUE | CASQUILLO | BUSH | BUECHSE |
| | 24 | 378.750 | SPINA ELASTICA | GOUPILLE ELASTIQUE | PASADOR | ROLL PIN | SPANNUELSE |
| | 25 | 378.450 | SPINA ELASTICA | GOUPILLE ELASTIQUE | PASADOR | ROLL PIN | SPANNUELSE |
| | 26 | 1.32488 | ALBERO DITI | ARBRE | ARBOL | SHAFT | WELLE |
| | 27 | 1.29172 | CALOTTA SUPERIORE | COSQUILLE SUP. | CALOTA SUP. | UPPER CAP | OBERKAPPE |
| | 28 | 600.0814 | VITE | VIS | TORNILLO | SCREW | SCHRAUBE |
| | 29 | 1.5644 | NOCE DITO | NOIX DE DOIGT | NUEZ DEL DIENTE | BEARING, FINGER | LAGERFINGER |
| | 30 | 1.29170 | CALOTTA INFERIORE | COSQUILLE INF. | CALOTA INF. | LOWER CAP | UNTERKAPPE |

| MODIF. | RIF. | N° ORDIN. | QUANT. | NOTE |
|--------|------|------------|--------|------|
| | 1 | 1.31980.00 | 1 | |
| | 2 | 650.108 | (24) | |
| | 3 | 1.29698 | (12) | |
| | 4 | 1.29659 | (24) | |
| | 5 | 1.29700 | (12) | |
| | 6 | 653.108 | (24) | |
| | 7 | 1.29658 | (12) | |
| | 8 | 611.0822 | (24) | |
| | 9 | 650.110 | (9) | |
| | 10 | 621.0812 | (12) | |
| | 11 | 354.108 | (40) | |
| C 0724 | 12 | 1.17172 | (2) | |
| D 0724 | 12 | 1.18945 | (2) | |
| | 13 | 1.31980 | (1) | |
| | 14 | 621.0814 | (4) | |
| | 15 | 355.00915 | (34) | |
| | 16 | 1.29486 | (1) | |
| | 17 | 354.110 | (15) | |
| | 18 | 621.1014 | (6) | |
| | 19 | 411.009 | (3) | |
| | 20 | 411.405 | (6) | |
| | 21 | 411.205 | (3) | |
| | 22 | 1.31966 | (1) | |
| | 23 | 1.14608 | (1) | |
| | 24 | 378.750 | (2) | |
| | 25 | 378.450 | (2) | |
| | 26 | 1.32488 | (1) | |
| | 27 | 1.29172 | (12) | |
| | 28 | 600.0814 | (24) | |
| | 29 | 1.5644 | (12) | |
| | 30 | 1.29170 | (12) | |

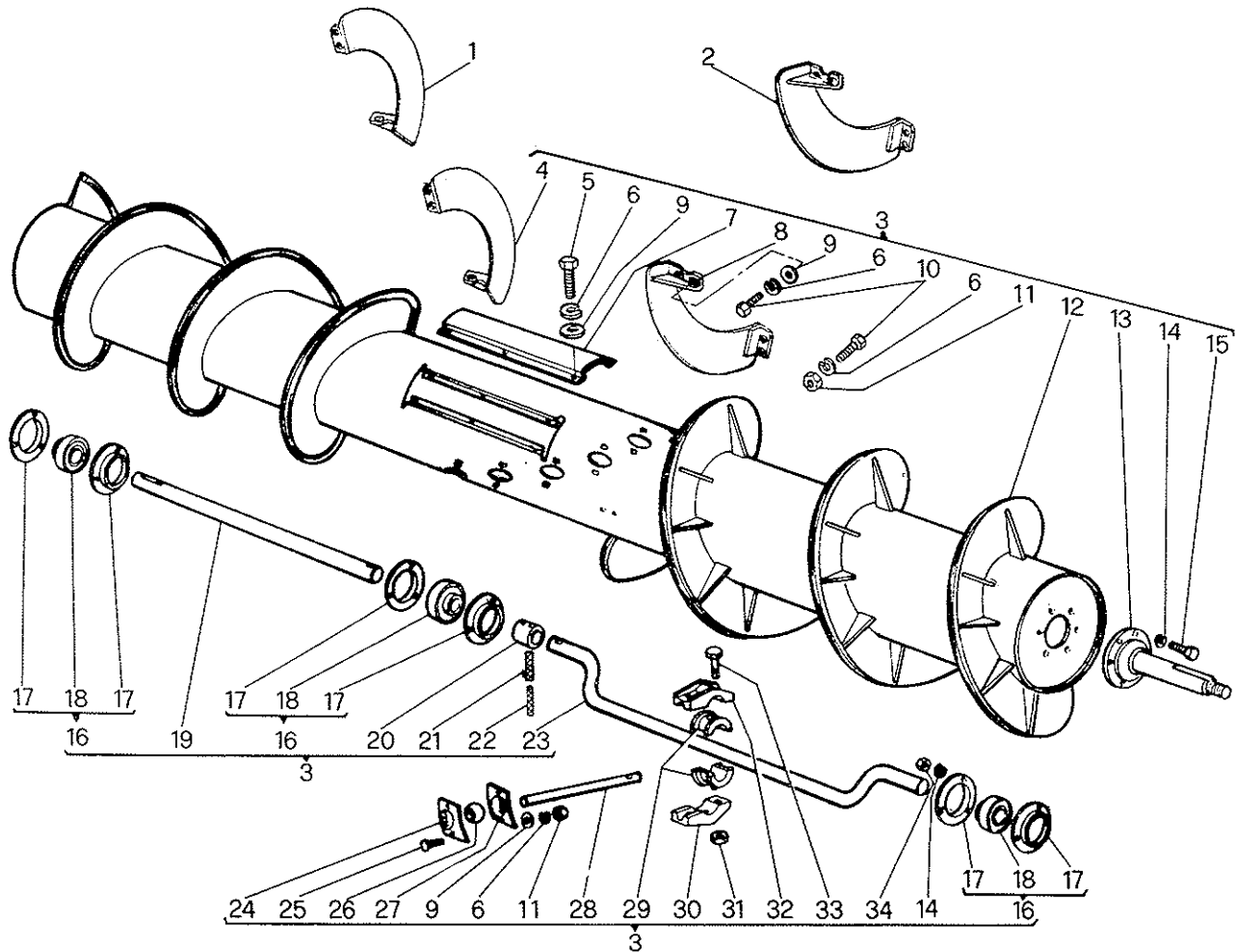


D 0724 tel.n°5F243490 → ~~1.17172~~ = 1.18945 + (6) 355.00915

| | | |
|--------------|-----------------------------------------------------------------------------------------------------------------------------------------------|----------|
| C 420 | COCLEA ALIMENTAZIONE PER RISO VIS D'ALIMENTATION POUR RIZ SIN-FIN ALIMENTACION PARA ARROZ RICE FEEDING AUGER REISS EINZUGSCHNECKE | Q 15 P |
| | 6/1984 | 5F750H29 |

| MODIF. | RIF. | N° ORDIN. | DENOMINAZIONE | DESIGNATION | DENOMINACIONES | DESCRIPTION | BENENNUNG |
|--------|------|------------|------------------------------|----------------------|----------------------|-------------------|--------------------|
| | 1 | 1.31980.00 | COMPL. COCLEA | VIS ALIMENTATION CPT | CONJ. SIN FIN | AUGER, ASSY | EINZUGSCHNECKE KPL |
| | 2 | 650.108 | DADO | ECROU | TUERCA | NUT | MUTTER |
| | 3 | 1.29698 | DITO ARTICOLATO | DOIGT | DIENTE | AUGER FINGER | FINGER |
| | 4 | 1.29659 | SEMIBOCCOLA SUPPORTO | DEMI-BAGUE | SEMI-COJINETE | HALF-BEARING | HAELFTBUECHSE |
| | 5 | 1.29700 | SEMISUPPORTO DITO ARTICOLATO | DEMI-SUPPORT | SEMI-SOPORTE | HALF-SUPPORT | HAELFTHALTERUNG |
| | 6 | 653.108 | DADO | ECROU | TUERCA | NUT | MUTTER |
| | 7 | 1.29658 | SEMISUPPORTO DITO ARTICOLATO | DEMI-SUPPORT | SEMI-SOPORTE | HALF-SUPPORT | HAELFTHALTERUNG |
| | 8 | 611.0822 | VITE | VIS | TORNILLO | SCREW | SCHRAUBE |
| | 9 | 650.110 | DADO | ECROU | TUERCA | NUT | MUTTER |
| | 10 | 621.0812 | VITE | VIS | TORNILLO | SCREW | SCHRAUBE |
| | 11 | 354.108 | ROSETTA ELASTICA | RONDELLE W | ARANDELA ELASTICA | SPRING WASHER | FEDERSCHEIBE |
| C 0724 | 12 | 1.17172 | CHIUSURA FINESTRA COCLEA | FERMETURE | CIERRE | COVER | VERSCHLUSS |
| D 0724 | 12 | 1.18945 | CHIUSURA FINESTRA COCLEA | FERMETURE | CIERRE | COVER | VERSCHLUSS |
| | 13 | 1.31980 | COCLEA | VIS ALIMENTATION | SIN-FIN ALIMENTACION | FEED AUGER | EINZUGSCHNECKE |
| | 14 | 621.0814 | VITE | VIS | TORNILLO | SCREW | SCHRAUBE |
| | 15 | 355.00915 | RONDELLA | RONDELLE | ARANDELA | WASHER | SCHEIBE |
| | 16 | 1.29486 | ALBERO ESTERNO S. | ARBRE EXT. G. | ARBOL EXT. IZ. | EXT. SHAFT. L.H. | AUSSENWELLE L. |
| | 17 | 354.110 | ROSETTA ELASTICA | RONDELLE W | ARANDELA ELASTICA | SPRING WASHER | FEDERSCHEIBE |
| | 18 | 621.1014 | VITE | VIS | TORNILLO | SCREW | SCHRAUBE |
| | 19 | 411.009 | SUPPORTO CUSCINETTO | PALIER | COJINETE | BEARING SUPPORT | LAGERHALTER |
| | 20 | 411.405 | FLANGIA CUSCINETTO | FLASQUE | BRIDA | FLANGE | LAGERFLANSCH |
| | 21 | 411.205 | CUSCINETTO | ROULEMENT | RODAMIENTO | BEARING | LAGER |
| | 22 | 1.31966 | ALBERO INT. D. | ARBRE INT. D. | ARBOL INT. DE. | INNER SHAFT, R.H. | INNENWELLE R. |
| | 23 | 1.14608 | BOCCOLA COLLEGAMENTO | BAGUE | CASQUILLO | BUSH | BUECHSE |
| | 24 | 378.750 | SPINA ELASTICA | GOUVILLE ELASTIQUE | PASADOR | ROLL PIN | SPANNUELSE |
| | 25 | 378.450 | SPINA ELASTICA | GOUVILLE ELASTIQUE | PASADOR | ROLL PIN | SPANNUELSE |
| | 26 | 1.32488 | ALBERO DITI | ARBRE | ARBOL | SHAFT | WELLE |
| | 27 | 1.29172 | CALOTTA SUPERIORE | COSQUILLE SUP. | CALOTA SUP. | UPPER CAP | OBERKAPPE |
| | 28 | 600.0814 | VITE | VIS | TORNILLO | SCREW | SCHRAUBE |
| | 29 | 1.5644 | NOCE DITO | NOIX DE DOIGT | NUEZ DEL DIENTE | BEARING, FINGER | LAGERFINGER |
| | 30 | 1.29170 | CALOTTA INFERIORE | COSQUILLE INF. | CALOTA INF. | LOWER CAP | UNTERKAPPE |

| MODIF. | RIF. | N° ORDIN. | QUANT. | NOTE |
|--------|------|------------|--------|------|
| | + 1 | 1.35008 | 1 | |
| | + 2 | 1.35007 | 1 | |
| | 3 | 1.35023.00 | 1 | |
| | 4 | 1.31395 | (1) | |
| | 5 | 621.0812 | (12) | |
| | 6 | 354.108 | (48) | |
| | 7 | 1.17172 | (2) | |
| C 0724 | 7 | 1.18945 | (2) | |
| D 0724 | 8 | 1.31396 | (1) | |
| | 9 | 355.00915 | (38) | |
| | 10 | 621.0814 | (8) | |
| | 11 | 650.108 | (32) | |
| | 12 | 1.35023 | (1) | |
| | 13 | 1.29486 | (1) | |
| | 14 | 354.110 | (15) | |
| | 15 | 621.1014 | (6) | |
| | 16 | 411.009 | (3) | |
| | 17 | 411.405 | (6) | |
| | 18 | 411.205 | (3) | |
| | 19 | 1.32489 | (1) | |
| | 20 | 1.14608 | (1) | |
| | 21 | 378.750 | (2) | |
| | 22 | 378.450 | (2) | |
| | 23 | 1.32488 | (1) | |
| | 24 | 1.29172 | (14) | |
| | 25 | 600.0814 | (28) | |
| | 26 | 1.5644 | (14) | |
| | 27 | 1.29170 | (14) | |
| | 28 | 1.29698 | (14) | |
| | 29 | 1.29659 | (28) | |
| | 30 | 1.29700 | (14) | |
| | 31 | 653.108 | (28) | |
| | 32 | 1.29658 | (14) | |
| | 33 | 611.0822 | (28) | |
| | 34 | 650.110 | (9) | |



D 0724 tel.n°5F253505 → ~~1.17172~~ = 1.18945 + (6) 355.00915

- + = IN DOTAZIONE
- + = EN DOTATION
- + = EN DOTACION
- + = STANDARD ITEM
- + = STANDARD

C 480

COCLEA ALIMENTAZIONE PER RISO
 VIS D'ALIMENTATION POUR RIZ
 SIN-FIN ALIMENTACION PARA ARROZ
 RICE FEEDING AUGER
 REISS EINZUGSCHNECKE

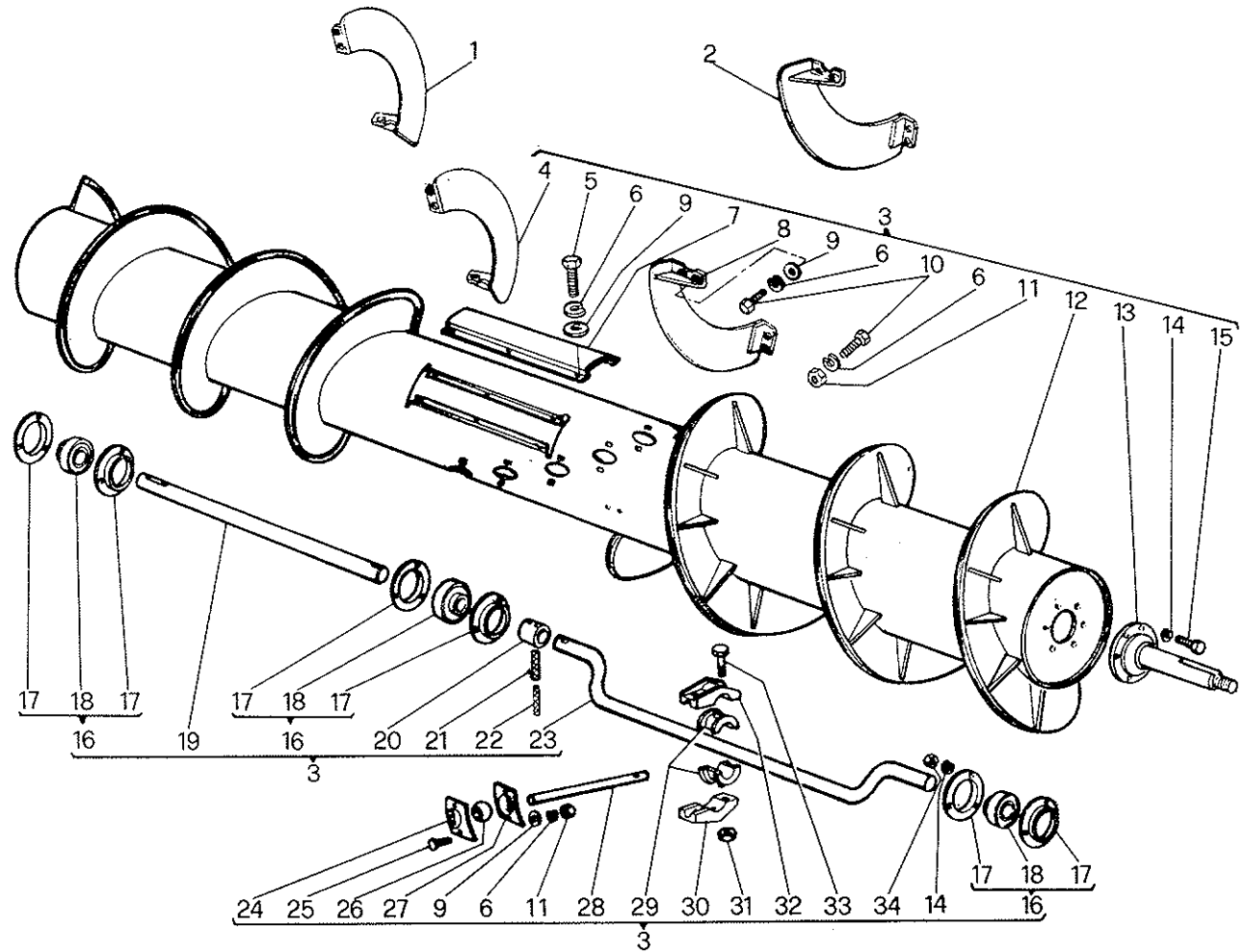
Q 15 q

5F750H31

6/1984

| MODIF | RIF | N° ORDIN. | DENOMINAZIONE | DESIGNATION | DENOMINACIONES | DESCRIPTION | BENENNUNG |
|------------------|---------|------------|------------------------------|----------------------|----------------------|----------------------|---------------------|
| C 0724 D 0724 | 1 | 1.35008 | SPIRALE CENTRALE D. CONICA | SPIRAL CENTRAL D. | ESPIRAL CENTRAL DE. | CENTRAL SPIRAL, R.H. | ZENTRALSCHNECKEN R. |
| | 2 | 1.35007 | SPIRALE CENTRALE S. CONICA | SPIRAL CENTRAL G. | ESPIRAL CENTRAL IZ. | CENTRAL SPIRAL, L.H. | ZENTRALSCHNECKEN L. |
| | 3 | 1.35023.00 | COMPL. COCLEA | VIS ALIMENTATION CPT | CONJ. SIN FIN | AUGER, ASSY | EINZUGSCHNECKE KPL |
| | 4 | 1.31395 | SPIRALE CENTRALE D. CONICA | SPIRAL CENTRAL D. | ESPIRAL CENTRAL DE. | CENTRAL SPIRAL, R.H. | ZENTRALSCHNECKEN R. |
| | 5 | 621.0812 | VITE | VIS | TORNILLO | SCREW | SCHRAUBE |
| | 6 | 354.108 | ROSETTA ELASTICA | RONDELLE W | ARANDELA ELASTICA | SPRING WASHER | FEDERSCHEIBE |
| | 7 | 1.17172 | CHIUSURA FINESTRA COCLEA | FERMETURE | CIERRE | COVER | VERSCHLUSS |
| | 7 | 1.18945 | CHIUSURA FINESTRA COCLEA | FERMETURE | CIERRE | COVER | VERSCHLUSS |
| | 8 | 1.31396 | SPIRALE CENTRALE S. | SPIRAL CENTRAL G. | ESPIRAL CENTRAL IZ. | CENTRAL SPIRAL, L.H. | ZENTRALSCHNECKEN L. |
| | 9 | 355.00915 | RONDELLA | RONDELLE | ARANDELA | WASHER | SCHLEIBE |
| | 10 | 621.0814 | VITE | VIS | TORNILLO | SCREW | SCHRAUBE |
| | 11 | 650.108 | DADO | ECROU | TUERCA | NUT | MUTTER |
| | 12 | 1.35023 | COCLEA | VIS ALIMENTATION | SIN-FIN ALIMENTACION | FEED AUGER | EINZUGSCHNECKE |
| | 13 | 1.29486 | ALBERO ESTERNO S. | ARBRE EXT. | ARBOL EXT. | EXT. SHAFT | AUSSENWELLE |
| | 14 | 354.110 | ROSETTA ELASTICA | RONDELLE W | ARANDELA ELASTICA | SPRING WASHER | FEDERSCHEIBE |
| | 15 | 621.1014 | VITE | VIS | TORNILLO | SCREW | SCHRAUBE |
| | 16 | 411.009 | SUPPORTO CUSCINETTO | PALIER | COJINETE | BEARING | LAGER |
| | 17 | 411.405 | FLANGIA CUSCINETTO | FLASQUE | BRIDA | FLANGE | LAGERFLANSCH |
| | 18 | 411.205 | CUSCINETTO | ROULEMENT | RODAMIENTO | BEARING | LAGER |
| | 19 | 1.32489 | ALBERO INT. D. | ARBRE INT. D. | ARBOL INT. DE. | INNER SHAFT, R.H. | INNENWELLE R. |
| | 20 | 1.14608 | BOCCOLA COLLEGAMENTO | BAGUE | CASQUILLO | BUSH | BUECHSE |
| | 21 | 378.750 | SPINA ELASTICA | GOUPILLE ELASTIQUE | PASADOR | ROLL PIN | SPANNUELSE |
| | 22 | 378.450 | SPINA ELASTICA | GOUPILLE ELASTIQUE | PASADOR | ROLL PIN | SPANNUELSE |
| | 23 | 1.32488 | ALBERO DITI | ARBRE | ARBOL | SHAFT | WELLE |
| | 24 | 1.29172 | CALOTTA SUPERIORE | COSQUILLE SUP. | CALOTA SUP. | UPPER CAP | OBERKAPPE |
| | 25 | 600.0814 | VITE | VIS | TORNILLO | SCREW | SCHRAUBE |
| | 26 | 1.5644 | NOCE DITO | NOIX DE DOIGT | NUEZ DEL DIENTE | BEARING, FINGER | LAGERFINGER |
| | 27 | 1.29170 | CALOTTA INFERIORE | COSQUILLE INF. | CALOTA INF. | LOWER CAP | UNTERKAPPE |
| | 28 | 1.29698 | DITO ARTICOLATO | DOIGT | DIENTE | AUGER FINGER | FINGER |
| | 29 | 1.29659 | SEMIBOCCOLA SUPPORTO | DEMI-BAGUE | SEMI-COJINETE | HALF-BEARING | HAELFTBUECHSE |
| | 30 | 1.29700 | SEMISUPPORTO DITO ARTICOLATO | SEMI-SUPPORT | SEMI-SOPORTE | HALF-SUPPORT | HAELFTHALTERUNG |
| | 31 | 653.108 | DADO | ECROU | TUERCA | NUT | MUTTER |
| | 32 | 1.29658 | SEMISUPPORTO DITO SUPERIORE | DEMI-SUPPORT | SEMI-SOPORTE | HALF-SUPPORT | HAELFTHALTERUNG |
| | 33 | 611.0822 | VITE | VIS | TORNILLO | SCREW | SCHRAUBE |
| 34 | 650.110 | DADO | ECROU | TUERCA | NUT | MUTTER | |

| MODIF. | RIF. | N° ORDIN. | QUANT. | NOTE |
|--------|------|------------|--------|------|
| | + 1 | 1.35008 | 1 | |
| | + 2 | 1.35007 | 1 | |
| | 3 | 1.35022.00 | 1 | |
| | 4 | 1.31395 | (1) | |
| | 5 | 621.0812 | (12) | |
| | 6 | 354.108 | (48) | |
| C 0724 | 7 | 1.17172 | (2) | |
| D 0724 | 7 | 1.18945 | (2) | |
| | 8 | 1.31396 | (1) | |
| | 9 | 355.00915 | (38) | |
| | 10 | 621.0814 | (8) | |
| | 11 | 650.108 | (32) | |
| | 12 | 1.35022 | (1) | |
| | 13 | 1.29486 | (1) | |
| | 14 | 354.110 | (15) | |
| | 15 | 621.1014 | (6) | |
| | 16 | 411.009 | (3) | |
| | 17 | 411.405 | (6) | |
| | 18 | 411.205 | (3) | |
| | 19 | 1.32490 | (1) | |
| | 20 | 1.14608 | (1) | |
| | 21 | 378.750 | (2) | |
| | 22 | 378.450 | (2) | |
| | 23 | 1.32488 | (1) | |
| | 24 | 1.29172 | (14) | |
| | 25 | 600.0814 | (28) | |
| | 26 | 1.5644 | (14) | |
| | 27 | 1.29170 | (14) | |
| | 28 | 1.29698 | (14) | |
| | 29 | 1.29659 | (28) | |
| | 30 | 1.29700 | (14) | |
| | 31 | 653.108 | (28) | |
| | 32 | 1.29658 | (14) | |
| | 33 | 611.0822 | (28) | |
| | 34 | 650.110 | (9) | |



D 0724 tel.n°5F273662 → ~~1.17172~~ = 1.18945 + (6) 355.00915

+ = IN DOTAZIONE
+ = EN DOTATION
+ = EN DOTACION
+ = STANDARD ITEM
+ = STANDARD

C 540

COCLEA ALIMENTAZIONE PER RISO
VIS D'ALIMENTATION POUR RIZ
SIN-FIN ALIMENTACION PARA ARROZ
RICE FEEDING AUGER
REISS EINZUGSCHNECKE

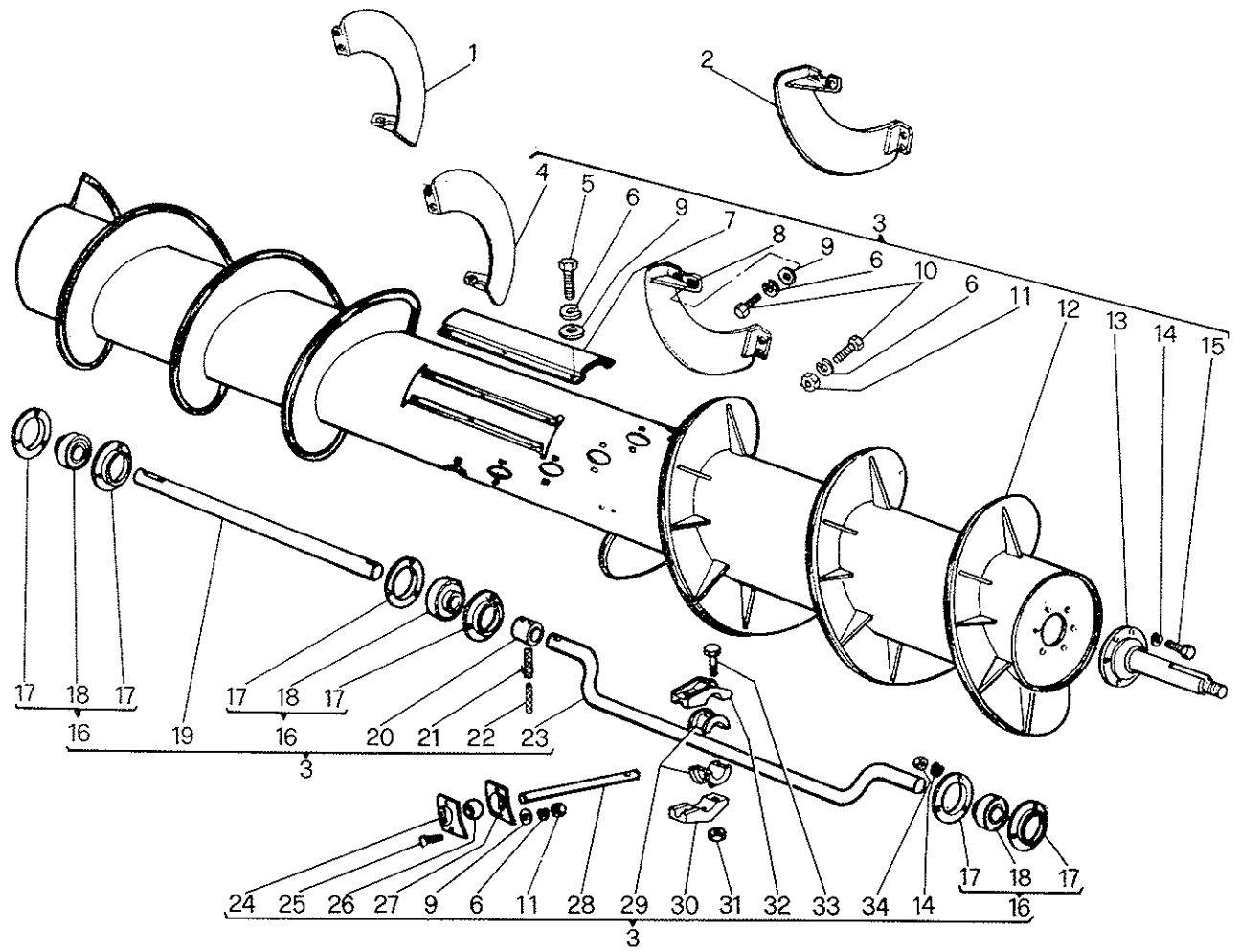
Q 15 R

5F750H33

6/1984

| MODIF | RIF | N° ORDIN. | DENOMINAZIONE | DESIGNATION | DENOMINACIONES | DESCRIPTION | BENENNUNG |
|--------|-----|------------|------------------------------|----------------------|---------------------|----------------------|---------------------|
| | 1 | 1.35008 | SPIRALE CENTRALE D. CONICA | SPIRAL CENTRAL D. | ESPIRAL CENTRAL DE. | CENTRAL SPIRAL, R.H. | ZENTRALSCHNECKEN R. |
| | 2 | 1.35007 | SPIRALE CENTRALE S. CONICA | SPIRAL CENTRAL G. | ESPIRAL CENTRAL IZ. | CENTRAL SPORAL, L.H. | ZENTRALSCHNECKEN L. |
| | 3 | 1.35022.00 | COMPL. COCLEA | VIS ALIMENTATION CPT | CONJ. SIN FIN | AUGER, ASSY | EINZUGSCHNECKE KPL |
| | 4 | 1.31395 | SPIRALE CENTRALE D. | SPIRAL CENTRAL D. | ESPIRAL CENTRAL DE. | CENTRAL SPIRAL, R.H. | ZENTRALSCHNECKEN R. |
| | 5 | 621.0812 | VITE | VIS | TORNILLO | SCREW | SCHRAUBE |
| | 6 | 354.108 | ROSETTA ELASTICA | RONDELLE W | ARANDELA ELASTICA | SPRING WASHER | FEDERSCHEIBE |
| C 0724 | 7 | 1.17172 | CHIUSURA FINESTRA COCLEA | FERMETURE | CIERRE | COVER | VERSCHLUSS |
| D 0724 | 7 | 1.18945 | CHIUSURA FINESTRA COCLEA | FERMETURE | CIERRE | COVER | VERSCHLUSS |
| | 8 | 1.31396 | SPIRALE CENTRALE S. COCLEA | SPIRAL CENTRAL G. | ESPIRAL CENTRAL IZ. | CENTRAL SPIRAL, L.H. | ZENTRALSCHNECKEN L. |
| | 9 | 355.00915 | RONDELLA | RONDELLE | ARANDELA | WASHER | SCHLEIBE |
| | 10 | 621.0814 | VITE | VIS | TORNILLO | SCREW | SCHRAUBE |
| | 11 | 650.108 | DADO | ECROU | TUERCA | NUT | MUTTER |
| | 12 | 1.35022 | COCLEA | VIS ALIMENTATION | SI-FIN ALIMENTACION | FEED AUGER | EINZUGSCHNECKE |
| | 13 | 1.29486 | ALBERO ESTERNO S. | ARBRE EXT. G. | ARBOL EXT. IZ. | EXT. SHAFT, L.H. | AUSSENWELLE L. |
| | 14 | 354.110 | ROSETTA ELASTICA | RONDELLE W | ARANDELA ELASTICA | SPRING WASHER | FEDERSCHEIBE |
| | 15 | 621.1014 | VITE | VIS | TORNILLO | SCREW | SCHRAUBE |
| | 16 | 411.009 | SUPPORTO CUSCINETTO | PALIER | COJINETE. | BEARING SUPPORT | LAGERHALTER |
| | 17 | 411.405 | FLANGIA CUSCINETTO | FLASQUE | BRIDA | FLANGE | LAGERFLANSCH |
| | 18 | 411.205 | CUSCINETTO | ROULEMENT | RODAMIENTO | BEARING | LAGER |
| | 19 | 1.32490 | ALBERO INT. D. | ARBRE INT. D. | ARBOL INT. DE. | INNER SHAFT, R. | INNENWELLE R. |
| | 20 | 1.14608 | BOCCOLA COLLEGAMENTO | BAGUE | CASQUILLO | BUSH | BUECHSE |
| | 21 | 378.750 | SPINA ELASTICA | GOUPILLE ELASTIQUE | PASADOR | ROLL PIN | SPANNUELSE |
| | 22 | 378.450 | SPINA ELASTICA | GOUPILLE ELASTIQUE | PASADOR | ROLL PIN | SPANNUELSE |
| | 23 | 1.32488 | ALBERO DITI | ARBRE | ARBOL | SHAFT | WELLE |
| | 24 | 1.29172 | CALOTTA SUPERIORE | COSQUILLE SUP. | CALOTA SUP. | UPPER CAP | OBERKAPPE |
| | 25 | 600.0814 | VITE | VIS | TORNILLO | SCREW | SCHRAUBE |
| | 26 | 1.5644 | NOCE DITO | NOIX DE DOIGT | NUEZ DEL DIENTE | BEARING, FINGER | LAGERFINGER |
| | 27 | 1.29170 | CALOTTA INFERIORE | COSQUILLE INF. | CALOTA INF. | LOWER CAP | UNTERKAPPE |
| | 28 | 1.29698 | DITO ARTICOLATO | DOIGT | DIENTE | AUGER FINGER | FINGER |
| | 29 | 1.29659 | SEMIBOCCOLA SUPPORTO | DEMI-BAGUE | SEMI-COJINETE | HALF-BEARING | HAELFTBUECHSE |
| | 30 | 1.29700 | SEMISUPPORTO DITO ARTICOLATO | DEMI-SUPPORT | SEMI-SOPORTE | HALF-SUPPORT | HAELFTHALTERUNG |
| | 31 | 653.108 | DADO | ECROU | TUERCA | NUT | MUTTER |
| | 32 | 1.29658 | SEMISUPPORTO DITO SUPERIORE | DEMI-SUPPORT | SEMI-SOPORTE | HALF-SUPPORT | HAELFTHALTERUNG |
| | 33 | 611.0822 | VITE | VIS | TORNILLO | SCREW | SCHRAUBE |
| | 34 | 650.110 | DADO | ECROU | TUERCA | NUT | MUTTER |

| MODIF. | RIF. | N° ORDIN. | QUANT. | NOTE |
|--------|------|------------|--------|------|
| | + 1 | 1.35008 | 1 | |
| | + 2 | 1.35007 | 1 | |
| | 3 | 1.35021.00 | 1 | |
| | 4 | 1.31395 | (1) | |
| | 5 | 621.0812 | (12) | |
| | 6 | 354.108 | (48) | |
| C 0724 | 7 | 1.17172 | (2) | |
| D 0724 | 7 | 1.18945 | (2) | |
| | 8 | 1.31396 | (1) | |
| | 9 | 355.00915 | (38) | |
| | 10 | 621.0814 | (8) | |
| | 11 | 650.108 | (32) | |
| | 12 | 1.35021 | (1) | |
| | 13 | 1.29486 | (1) | |
| | 14 | 354.110 | (15) | |
| | 15 | 621.1014 | (6) | |
| | 16 | 411.009 | (3) | |
| | 17 | 411.405 | (6) | |
| | 18 | 411.205 | (3) | |
| | 19 | 1.32491 | (1) | |
| | 20 | 1.14608 | (1) | |
| | 21 | 378.750 | (2) | |
| | 22 | 378.450 | (2) | |
| | 23 | 1.32488 | (1) | |
| | 24 | 1.29172 | (14) | |
| | 25 | 600.0814 | (28) | |
| | 26 | 1.5644 | (14) | |
| | 27 | 1.29170 | (14) | |
| | 28 | 1.29698 | (14) | |
| | 29 | 1.29659 | (28) | |
| | 30 | 1.29700 | (14) | |
| | 31 | 653.108 | (28) | |
| | 32 | 1.29658 | (14) | |
| | 33 | 611.0822 | (28) | |
| | 34 | 650.110 | (9) | |



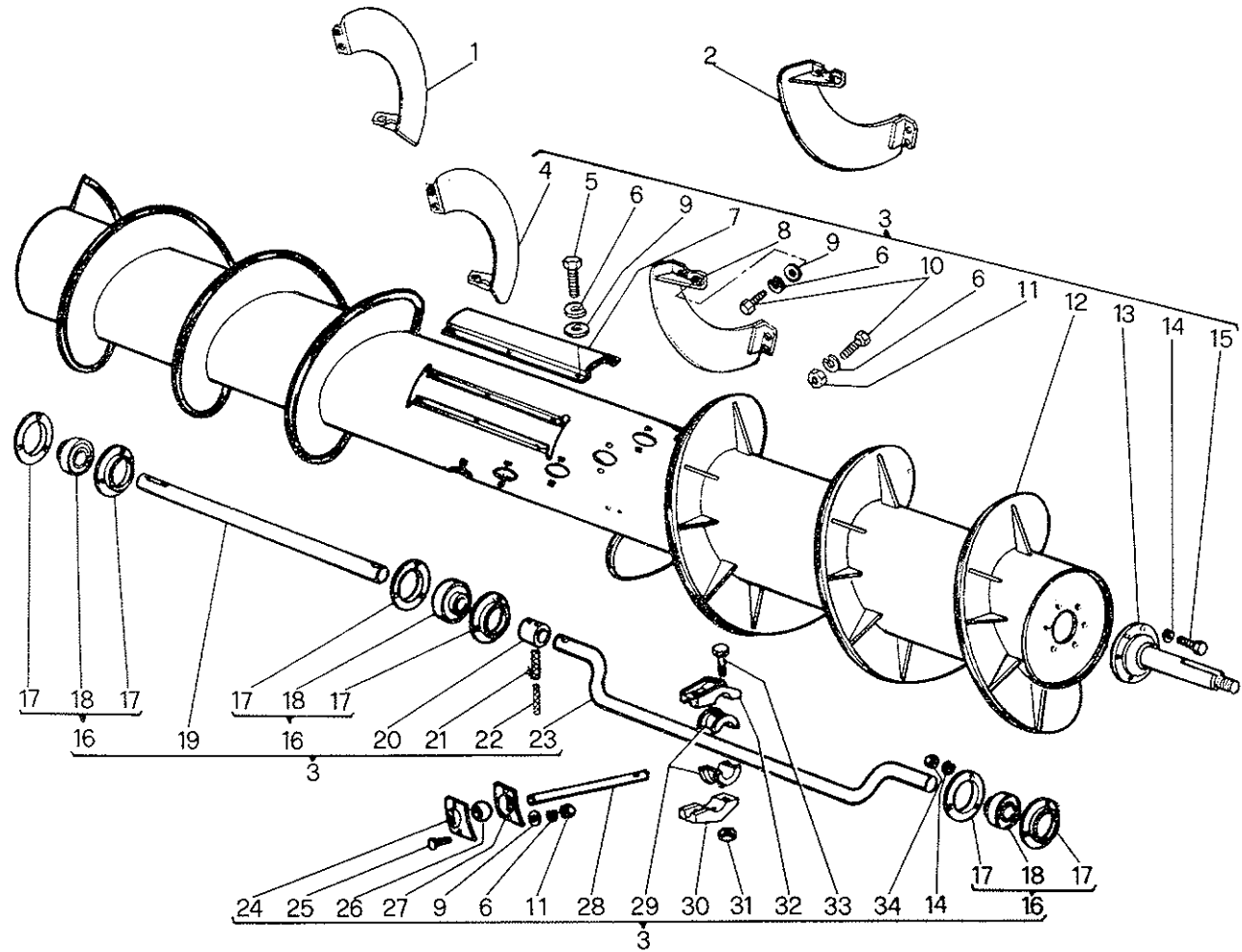
D 0724 tel.n°5F283665 → ~~1.17172~~ = 1.18945 + (6) 355.00915

- + = IN DOTAZIONE
- + = EN DOTATION
- + = EN DOTACION
- + = STANDARD ITEM
- + = STANDARD

| | | |
|--------------|-----------------------------------------------------------------------------------------------------------------------------------------------|----------|
| C 600 | COCLEA ALIMENTAZIONE PER RISO VIS D'ALIMENTATION POUR RIZ SIN-FIN ALIMENTACION PARA ARROZ RICE FEEDING AUGER REISS EINZUGSCHNECKE | Q 15 s |
| | 6/1984 | 5F750H35 |

| MODIF. | RIF. | N° ORDIN. | DENOMINAZIONE | DESIGNATION | DENOMINACIONES | DESCRIPTION | BENENNUNG |
|--------|------|------------|------------------------------|----------------------|----------------------|----------------------|---------------------|
| | 1 | 1.35008 | SPIRALE CENTRALE D. CONICA | SPIRAL CENTRAL D. | ESPIRAL CENTRAL DE. | CENTRAL SPIRAL, R.H. | ZENTRALSCHNECKEN R. |
| | 2 | 1.35007 | SPIRALE CENTRALE S. CONICA | SPIRAL CENTRAL G. | ESPIRAL CENTRAL IZ. | CENTRAL SPIRAL, L.H. | ZENTRALSCHNECKEN L. |
| | 3 | 1.35021.00 | COMPL. COCLEA | VIS ALIMENTATION CPT | CONJ. SIN FIN | AUGER, ASSY | EINZUGSCHNECKE KPL |
| | 4 | 1.31395 | SPIRALE CENTRALE D. CONICA | SPIRAL CENTRAL D. | ESPIRAL CENTRAL DE. | CENTRAL SPIRAL, R.H. | ZENTRALSCHNECKEN R. |
| | 5 | 621.0812 | VITE | VIS | TORNILLO | SCREW | SCHRAUBE |
| | 6 | 354.108 | ROSETTA ELASTICA | RONDELLE W | ARANDELA ELASTICA | SPRING WASHER | FEDERSCHEIBE |
| C 0724 | 7 | 1.17172 | CHIUSURA FINESTRA COCLEA | FERMETURE | CIERRE | COVER | VERSCHLUSS |
| D 0724 | 7 | 1.18945 | CHIUSURA FINESTRA COCLEA | FERMETURE | CIERRE | COVER | VERSCHLUSS |
| | 8 | 1.31396 | SPIRALE CENTRALE S. CONICA | SPIRAL CENTRAL G. | ESPIRAL CENTRAL IZ. | CENTRAL SPIRAL, L.H. | ZENTRALSCHNECKEN L. |
| | 9 | 355.00915 | RONDELLA | RONDELLE | ARANDELA | WASHER | SCHEIBE |
| | 10 | 621.0814 | VITE | VIS | TORNILLO | SCREW | SCHRAUBE |
| | 11 | 650.108 | DADO | ECROU | TUERCA | NUT | MUTTER |
| | 12 | 1.35021 | COCLEA | VIS ALIMENTATION | SIN-FIN ALIMENTACION | FEED AUGER | EINZUGSCHNECKE |
| | 13 | 1.29486 | ALBERO ESTERNO S. | ARBRE EXT. G. | ARBOL EXT. IZ. | EXT. SHAFT, L. | AUSSENWELLE L. |
| | 14 | 354.110 | ROSETTA ELASTICA | RONDELLE W | ARANDELA ELASTICA | SPRING WASHER | FEDERSCHEIBE |
| | 15 | 621.1014 | VITE | VIS | TORNILLO | SCREW | SCHRAUBE |
| | 16 | 411.009 | SUPPORTO CUSCINETTO | PALIER | COJINETE | BEARING SUPPORT | LAGERHALTER |
| | 17 | 411.405 | FLANGIA CUSCINETTO | FLASQUE | BRIDA | FLANGE | LAGERFLANSCH |
| | 18 | 411.205 | CUSCINETTO | ROULEMENT | RODAMIENTO | BEARING | LAGER |
| | 19 | 1.32491 | ALBERO INT. D. | ARBRE INT. D. | ARBOL INT. DE. | INNER SHAFT, R.H. | INNENWELLE R. |
| | 20 | 1.14608 | BOCCOLA COLLEGAMENTO | BAGUE | CASQUILLO | BUSH | BUECHSE |
| | 21 | 378.750 | SPINA ELASTICA | GOUPILLE ELASTIQUE | PASADOR | ROLL PIN | SPANNUELSE |
| | 22 | 378.450 | SPINA ELASTICA | GOUPILLE ELASTIQUE | PASADOR | ROLL PIN | SPANNUELSE |
| | 23 | 1.32488 | ALBERO DITI | ARBRE | ARBOL | SHAFT | WELLE |
| | 24 | 1.29172 | CALOTTA SUPERIORE | COSQUILLE SUP. | CALOTA SUP. | UPPER CAP | OBERKAPPE |
| | 25 | 600.0814 | VITE | VIS | TORNILLO | SCREW | SCHRAUBE |
| | 26 | 1.5644 | NOCE DITO | NOIX DE DOIGT | NUEZ DEL DIENTE | BEARING, FINGER | LAGERFINGER |
| | 27 | 1.29170 | CALOTTA INFERIORE | COSQUILLE INF. | CALOTA INF. | LOWER CAP | UNTERKAPPE |
| | 28 | 1.29698 | DITO ARTICOLATO | DOIGT | DIENTE | AUGER FINGER | FINGER |
| | 29 | 1.29659 | SEMIBOCCOLA SUPPORTO | DEMI-BAGUE | SEMI-COJINETE | HALF-BEARING | HAELFTBUECHSE |
| | 30 | 1.29700 | SEMISUPPORTO DITO ARTICOLATO | DEMI-SUPPORT | SEMI-SOPORTE | HALF-SUPPORT | HAELFTHALTERUNG |
| | 31 | 653.108 | DADO | ECROU | TUERCA | NUT | MUTTER |
| | 32 | 1.29658 | SEMISUPPORTO DITO SUPERIORE | DEMI-SUPPORT | SEMI-SOPORTE | HALF-SUPPORT | HAELFTHALTERUNG |
| | 33 | 611.0822 | VITE | VIS | TORNILLO | SCREW | SCHRAUBE |
| | 34 | 650.110 | DADO | ECROU | TUERCA | NUT | MUTTER |

| MODIF. | RIF. | N° ORDIN. | QUANT. | NOTE |
|--------|------|------------|--------|------|
| | + 1 | 1.35008 | 1 | |
| | + 2 | 1.35007 | 1 | |
| | 3 | 1.35667.00 | 1 | |
| | 4 | 1.31395 | (1) | |
| | 5 | 621.0812 | (12) | |
| | 6 | 354.108 | (48) | |
| C 0724 | 7 | 1.17172 | (2) | |
| D 0724 | 7 | 1.18945 | (2) | |
| | 8 | 1.31396 | (1) | |
| | 9 | 355.00915 | (38) | |
| | 10 | 621.0814 | (8) | |
| | 11 | 650.108 | (32) | |
| | 12 | 1.35667 | (1) | |
| | 13 | 1.29486 | (1) | |
| | 14 | 354.110 | (15) | |
| | 15 | 621.1014 | (6) | |
| | 16 | 411.009 | (3) | |
| | 17 | 411.405 | (6) | |
| | 18 | 411.205 | (3) | |
| | 19 | 1.35701 | (1) | |
| | 20 | 1.14608 | (1) | |
| | 21 | 378.750 | (2) | |
| | 22 | 378.450 | (2) | |
| | 23 | 1.32488 | (1) | |
| | 24 | 1.29172 | (14) | |
| | 25 | 600.0814 | (28) | |
| | 26 | 1.5644 | (14) | |
| | 27 | 1.29170 | (14) | |
| | 28 | 1.29698 | (14) | |
| | 29 | 1.29659 | (28) | |
| | 30 | 1.29700 | (14) | |
| | 31 | 653.108 | (28) | |
| | 32 | 1.29658 | (14) | |
| | 33 | 611.0822 | (28) | |
| | 34 | 650.110 | (9) | |



D 0724 tel.n°5F293670 → ~~1.17172~~ = 1.18945 + (6) 355.00915

C 660

COCLEA ALIMENTAZIONE PER RISO
 VIS D'ALIMENTATION POUR RIZ
 SIN-FIN ALIMENTACION PARA ARROZ
 RICE FEEDING AUGER
 REISS EINZUGSCHNECKE

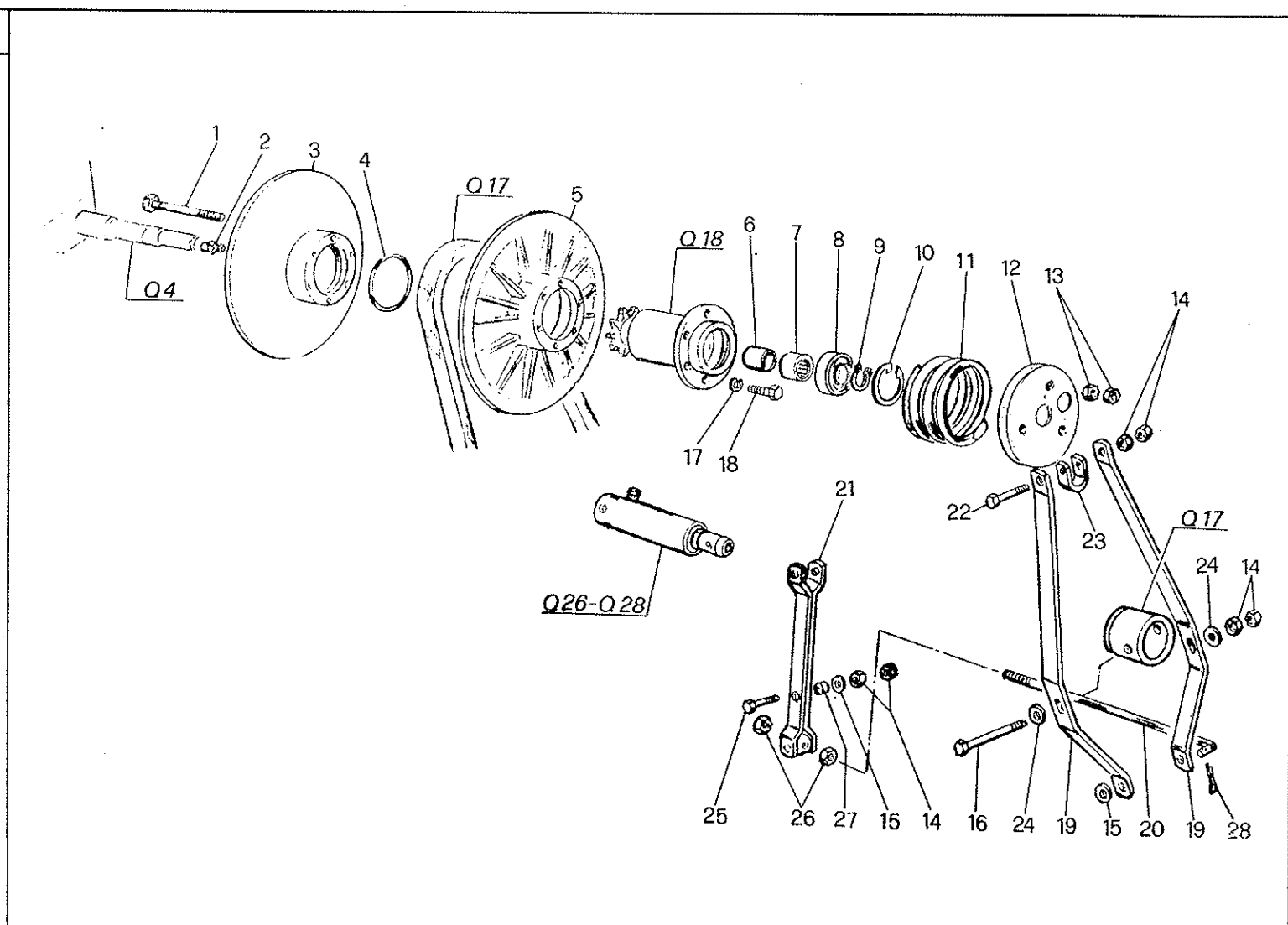
Q 15 T

5F750H35

6/1984

| MODIF. | RIF. | N° ORDIN. | DENOMINAZIONE | DESIGNATION | DENOMINACIONES | DESCRIPTION | BENENNUNG |
|--------|------|------------|------------------------------|----------------------|----------------------|----------------------|---------------------|
| | 1 | 1.35008 | SPIRALE CENTRALE D. CONICA | SPIRAL CENTRAL D. | ESPIRAL CENTRAL DE. | CENTRAL SPIRAL, R.H. | ZENTRALSCHNECKEN R. |
| | 2 | 1.35007 | SPIRALE CENTRALE S. CONICA | SPIRAL CENTRAL G. | ESPIRAL CENTRAL IZ. | CENTRAL SPIRAL, L.H. | ZENTRALSCHNECKEN L. |
| | 3 | 1.35667.00 | COMPL. COCLEA | VIS ALIMENTATION CPT | CONJ. SIN FIN | AUGER, ASSY | EINZUGSCHNECKE KPL |
| | 4 | 1.31395 | SPIRALE CENTRALE D. | SPIRAL CENTRAL D. | ESPIRAL CENTRAL DE. | CENTRAL SPIRAL, R.H. | ZENTRALSCHNECKEN R. |
| | 5 | 621.0812 | VITE | VIS | TORNILLO | SCREW | SCHRAUBE |
| | 6 | 354.108 | ROSETTA ELASTICA | RONDELLE W | ARANDELA ELASTICA | SPRING WASHER | FEDERSCHEIBE |
| | 7 | 1.17172 | CHIUSURA FINESTRA COCLEA | FERMETURE | CIERRE | COVER | VERSCHLUSS |
| | 7 | 1.18945 | CHIUSURA FINESTRA COCLEA | FERMETURE | CIERRE | COVER | VERSCHLUSS |
| | 8 | 1.31396 | SPIRALE CENTRALE S. | SPIRAL CENTRAL G. | ESPIRAL CENTRAL IZ. | CENTRAL SPIRAL, L.H. | ZENTRALSCHNECKEN L. |
| | 9 | 355.00915 | RONDELLA | RONDELLE | ARANDELA | WASHER | SCHLEIFE |
| | 10 | 621.0814 | VITE | VIS | TORNILLO | SCREW | SCHRAUBE |
| | 11 | 650.108 | DADO | ECROU | TUERCA | NUT | MUTTER |
| | 12 | 1.35667 | COCLEA | VIS ALIMENTATION | SIN-FIN ALIMENATCION | FEED AUGER | EINZUGSCHNECKE |
| | 13 | 1.29486 | ALBERO ESTERNO S. | ARBRE EXT. G. | ARBOL EXT. IZ. | EXT. SHAFT, L.H. | AUSSENWELLE L. |
| | 14 | 354.110 | ROSETTA ELASTICA | RONDELLE W | ARANDELA ELASTICA | SPRING WASHER | FEDERSCHEIBE |
| | 15 | 621.1014 | VITE | VIS | TORNILLO | SCREW | SCHRAUBE |
| | 16 | 411.009 | SUPPORTO CUSCINETTO | PALIER | COJINETE | BEARING SUPPORT | LAGERHALTER |
| | 17 | 411.405 | FLANGIA CUSCINETTO | FLASQUE | BRIDA | FLANGE | LAGERFLANSCH |
| | 18 | 411.205 | CUSCINETTO | ROULEMENT | RODAMIENTO | BEARING | LAGER |
| | 19 | 1.35701 | ALBERO INT D. | ARBRE INT. D. | ARBOL INT. DE. | INNER SHAFT, R.H. | INNENWELLE R. |
| | 20 | 1.14608 | BOCCOLA COLLEGAMENTO | BAGUE | CASQUILLO | BUSH | BUECHSE |
| | 21 | 378.750 | SPINA ELASTICA | GOUPILLE ELASTIQUE | PASADOR | ROLL PIN | SPANNUELSE |
| | 22 | 378.450 | SPINA ELASTICA | GOUPILLE ELASTIQUE | PASADOR | ROLL PIN | SPANNUELSE |
| | 23 | 1.32488 | ALBERO DITI | ARBRE | ARBOL | SHAFT | WELLE |
| | 24 | 1.29172 | CALOTTA SUPERIORE | COSQUILLE SUP. | CALOTA SUP. | UPPER CAP | OBERKAPPE |
| | 25 | 600.0814 | VITE | VIS | TORNILLO | SCREW | SCHRAUBE |
| | 26 | 1.5644 | NOCE DITO | NOIX DE DOIGT | NUEZ DEL DIENTE | BEARING, FINGER | LAGERFINGER |
| | 27 | 1.29170 | CALOTTA INFERIORE | COSQUILLE INF. | CALOTA INF. | LOWER CAP | UNTERKAPPE |
| | 28 | 1.29698 | DITO ARTICOLATO | DOIGT | DIENTE | AUGER FINGER | FINGER |
| | 29 | 1.29659 | SEMIBOCCOLA SUPPORTO | DEMI-BAGUE | SEMI-COJINETE | HALF-BEARING | HAELFTHALTERUNG |
| | 30 | 1.29700 | SEMISUPPORTO DITO ARTICOLATO | DEMI-SUPPORT | SEMI-SOPORTE | HALF-SUPPORT | HAELFTHALTERUNG |
| | 31 | 653.108 | DADO | ECROU | TUERCA | NUT | MUTTER |
| | 32 | 1.29658 | SEMISUPPORTO DITO SUPERIORE | DEMI-SUPPORT | SEMI-SOPORTE | HALF-SUPPORT | HAELFTHALTERUNG |
| | 33 | 611.0822 | VITE | VIS | TORNILLO | SCREW | SCHRAUBE |
| | 34 | 650.110 | DADO | ECROU | TUERCA | NUT | MUTTER |

| MODIF. | RIF. | N° ORDIN. | QUANT. | NOTE |
|--------|------|-----------|--------|------|
| | 1 | 612.0848 | 3 | |
| | 2 | 357.803 | 1 | |
| | 3 | 1.32630 | 1 | |
| | 4 | 358.120 | 1 | |
| | 5 | 1.32329 | 1 | |
| | 6 | 409.084 | 1 | |
| | 7 | 409.034 | 1 | |
| | 8 | 401.225 | 1 | |
| | 9 | 357.125 | 1 | |
| | 10 | 357.052 | 1 | |
| | 11 | 356.1127 | 1 | |
| | 12 | 1.14399 | 1 | |
| | 13 | 650.208 | 2 | |
| | 14 | 650.210 | 6 | |
| | 15 | 355.01120 | 2 | |
| | 16 | 611.1042 | 1 | |
| | 17 | 354.108 | 3 | |
| | 18 | 621.0814 | 3 | |
| | 19 | 1.14397 | 2 | |
| | 20 | 1.14582 | 1 | |
| | 21 | 1.35006 | 1 | |
| | 22 | 611.1028 | 1 | |
| | 23 | 1.14398 | 1 | |
| | 24 | 355.11030 | 2 | |
| | 25 | 621.1020 | 1 | |
| | 26 | 650.110 | 2 | |
| | 27 | 415.063 | 1 | |
| | 28 | 377.320 | 1 | |



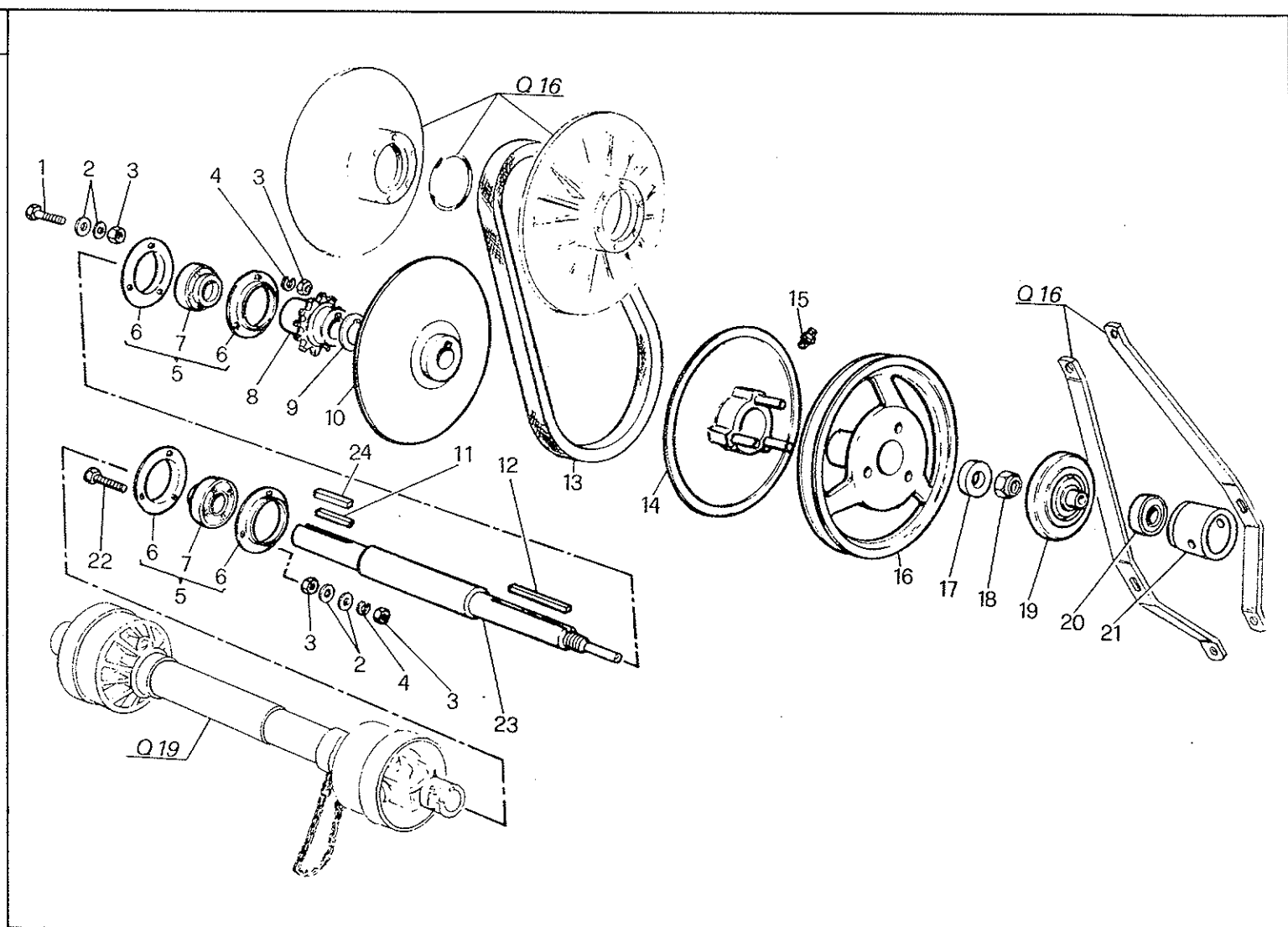
| | | |
|--------------------------------------------------------------------------------|----------------------------------------------------------------------------------------------------------------------------------------------------------------------------------|----------------------|
| C 310 C 480 C 360 C 540 C 420 C 600 C 660 | DISCHI CONDUTTORI VARIATORE ASPO DISQUES ME NANTS VARIATEUR RABATTEUR DISCOS CONDUCTOR VARIADOR MOLINETE REEL VARIATOR DRIVE SHEAVES HASPELVARIATOR ANTRIEBSSCHEIBEN | Q 16 |
| | | 5F790A03 5F790A00 |
| 2/1983 | | |

Q 16

LAVERDA

| MODIF. | RIF. | N° ORDIN. | DENOMINAZIONE | DESIGNATION | DENOMINACIONES | DESCRIPTION | BENENNUNG |
|--------|------|-----------|-----------------------------|-------------|-------------------|---------------|-----------------|
| | 1 | 612.0848 | VITE | VIS | TORNILLO | SCREW | SCHRAUBE |
| | 2 | 357.803 | INGRASSATORE | GRAISSEUR | ENGRASADOR | GREASE NIPPLE | SCHMIERNIPPEL |
| | 3 | 1.32630 | DISCO MOBILE CONDOTTO | FLASQUE | DISCO | DISC | VARIATORSCHIEBE |
| | 4 | 358.120 | GUARNIZIONE | JOINT | JUNTA | O.RING | O-RING |
| | 5 | 1.32329 | DISCO FISSO CONDOTTO | FLASQUE | DISCO | DISC | VARIATORSCHIEBE |
| | 6 | 409.084 | ANELLO | ENTRETOISE | ESPACIADOR | SPACER | DISTANZBUECHSE |
| | 7 | 409.034 | CUSCINETTO | ROULEMENT | RODAMIENTO | BEARING | LAGER |
| | 8 | 401.225 | CUSCINETTO | ROULEMENT | RODAMIENTO | BEARING | LAGER |
| | 9 | 357.125 | ANELLO ELASTICO | CIRCLIPS | ANILLO ELASTICO | CIRCLIP | SICHERUNGSRING |
| | 10 | 357.052 | ANELLO ELASTICO | CIRCLIPS | ANILLO ELASTICO | CIRCLIP | SICHERUNGSRING |
| | 11 | 356.1127 | MOLLA | RESSORT | RESORTE | SPRING | FEDER |
| | 12 | 1.14399 | DISCO RITEGNO MOLLA | DISQUE | DISCO | DISC | SCHIEBE |
| | 13 | 650.208 | DADO | ECROU | TUERCA | NUT | MUTTER |
| | 14 | 650.210 | DADO | ECROU | TUERCA | NUT | MUTTER |
| | 15 | 355.01120 | RONDELLA | RONDELLE | ARANDELA | WASHER | SCHIEBE |
| | 16 | 611.1042 | VITE | VIS | TORNILLO | SCREW | SCHRAUBE |
| | 17 | 354.108 | ROSETTA ELASTICA | RONDELLE W | ARANDELA ELASTICA | SPRING WASHER | FEDERSCHIEBE |
| | 18 | 621.0814 | VITE | VIS | TORNILLO | SCREW | SCHRAUBE |
| | 19 | 1.14397 | BILANCERE COMANDO VARIATORE | BALANCIER | BALANCIN | ROCKER-ARM | SCHWINGE |
| | 20 | 1.14582 | TIRANTE CAVO VARIATORE | TIRANT | TIRANTE | TIE-ROD | SPANNBOLZEN |
| | 21 | 1.35006 | LEVA RINVIO VARIATORE | LEVIER | PALANCA | LEVER | HEBEL |
| | 22 | 611.1028 | VITE | VIS | TORNILLO | SCREW | SCHRAUBE |
| | 23 | 1.14398 | FASCETTA FERMO BILANCIERE | COLLIER | COLLAR | CLAMP | SHELLE |
| | 24 | 355.11030 | RONDELLA | RONDELLE | ARANDELA | WASHER | SCHIEBE |
| | 25 | 621.1020 | VITE | VIS | TORNILLO | SCREW | SCHRAUBE |
| | 26 | 650.110 | DADO | ECROU | TUERCA | NUT | MUTTER |
| | 27 | 415.063 | DISTANZIATORE | ENTRETOISE | ESPACIADOR | SPACER | DISTANZBUECHSE |
| | 28 | 377.320 | COPIGLIA | GOUPILLE | PASADOR ABIERTO | COTTER PIN | SPLINT |

| MODIF. | RIF. | N° ORDIN. | QUANT. | NOTE |
|--------|------|-----------|--------|------|
| | 1 | 621.1022 | 1 | |
| | 2 | 355.11030 | 12 | |
| | 3 | 650.110 | 12 | |
| | 4 | 354.110 | 6 | |
| | 5 | 411.010 | 2 | |
| | 6 | 411.406 | (4) | |
| | 7 | 411.206 | (2) | |
| | 8 | 1.14384 | 1 | |
| | 9 | 1.34501 | 2 | |
| | 10 | 1.14382 | 1 | |
| | 11 | 384.550 | 1 | |
| | 12 | 384.4110 | 1 | |
| | 13 | 434.138 | 1 | |
| | 14 | 1.14381 | 1 | |
| | 15 | 357.803 | 1 | |
| | 16 | 1.14379 | 1 | |
| | 17 | 1.31727 | 1 | |
| | 18 | 653.520 | 1 | |
| | 19 | 1.14383 | 1 | |
| | 20 | 401.525 | 1 | |
| | 21 | 1.14391 | 1 | |
| | 22 | 621.1020 | 5 | |
| | 23 | 1.31750 | 1 | |
| | *24 | 389.405 | 1 | |



* = 3350 AL - C 420 - C 480

C 310 C 480
C 360 C 540
C 420 C 600
C 660

DISCHI CONDOTTI VARIATORE ASPO
DISQUES MENES VARIATEUR RABATTEUR
DISCOS CONDUCTO VARIADOR MOLINETE
REEL VARIATOR DRIVEN SHEAVES
HASPELVARIATOR ANGETRIEBENE SCHEIBEN

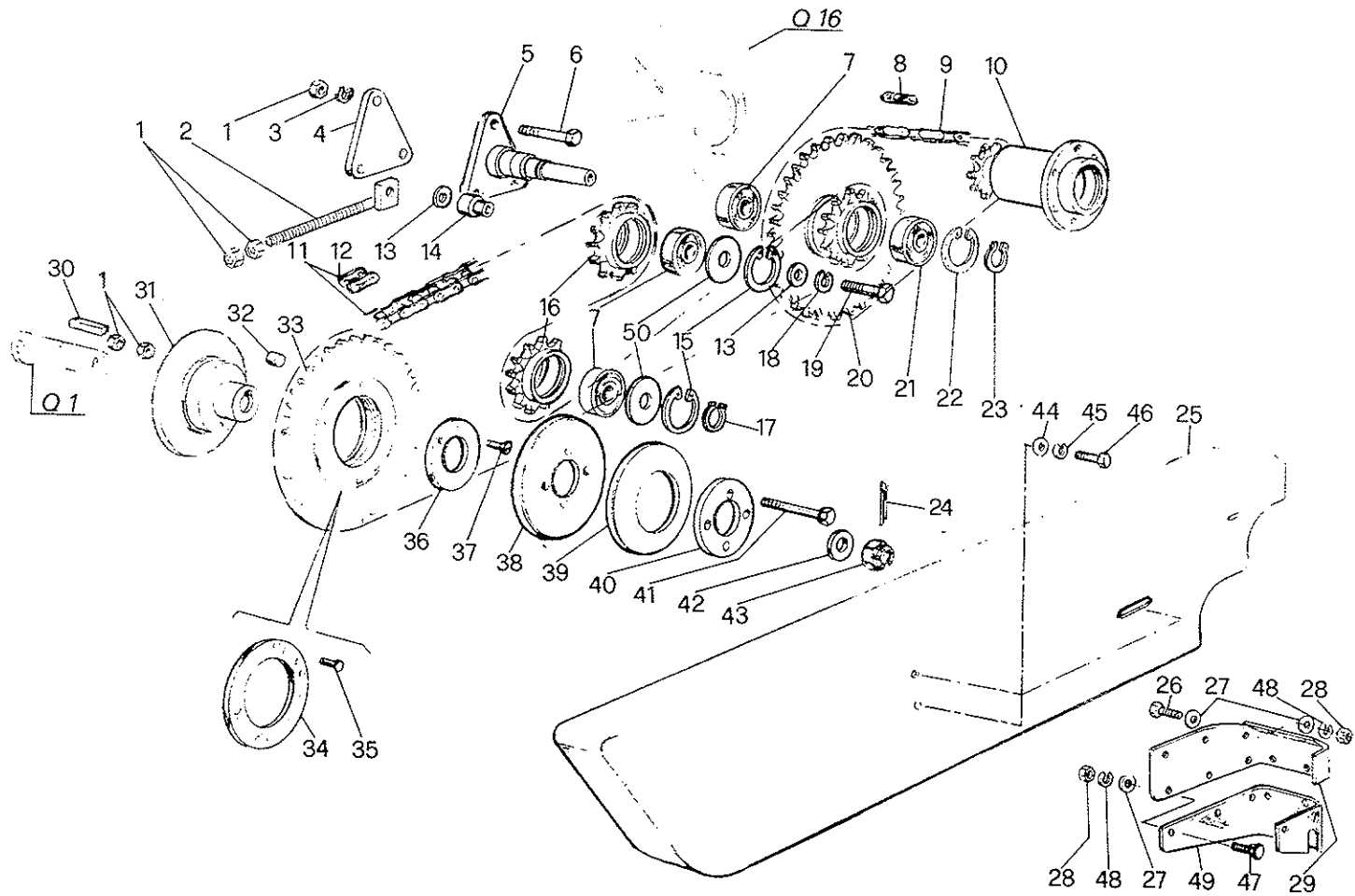
2/1983

Q 17

5F790A04
5F790A00
*5F750G29
*5F750G31

| MODIF | RIF | N° ORDIN. | DENOMINAZIONE | DESIGNATION | DENOMINACIONES | DESCRIPTION | BENENNUNG |
|-------|-----|-----------|-------------------------------|-------------|-------------------|---------------|---------------|
| | 1 | 621.1022 | VITE | VIS | TORNILLO | SCREW | SCHRAUBE |
| | 2 | 355.11030 | RONDELLA | RONDELLE | ARANDELA | WASHER | SCHIEBE |
| | 3 | 650.110 | DADO | ECROU | TUERCA | NUT | MUTTER |
| | 4 | 354.110 | ROSETTA ELASTICA | RONDELLE W | ARANDELA ELASTICA | SPRING WASHER | FEDERSCHIEBE |
| | 5 | 411.010 | SUPPORTO CUSCINETTO | PALIER | COJINETE | BEARING | LAGER |
| | 6 | 411.406 | FLANGIA CUSCINETTO | FLASQUE | BRIDA | FLANGE | LAGERFLANSCH |
| | 7 | 411.206 | CUSCINETTO | ROULEMENT | RODAMIENTO | BEARING | LAGER |
| | 8 | 1.14384 | PIGNONE COMANDO COCLEA | PIGNON | PINON | PINION | RITZEL |
| | 9 | 1.34501 | RONDELLA | RONDELLE | ARANDELA | WASHER | SCHIEBE |
| | 10 | 1.14382 | DISCO FISSO VARIATORE | DISQUE | DISCO | DISC | SCHIEBE |
| | 11 | 384.550 | LINGUETTA | CLAVETTE | CHAVETA | KEY | KEIL |
| | 12 | 384.4110 | LINGUETTA | CLAVETTE | CHAVETA | KEY | KEIL |
| | 13 | 434.138 | CINGHIA VARISOL | COURROIE | CORREA | BELT | RIEMEN |
| | 14 | 1.14381 | DISCO MOBILE VARIATORE | DISQUE | DISCO | DISC | SCHIEBE |
| | 15 | 357.803 | INGRASSATORE | GRAISSEUR | ENGRASADOR | GREASE NIPPLE | SCHMIERNIPPEL |
| | 16 | 1.14379 | PULEGGIA COMANDO CONVERTITORE | POULIE | POLEA | PULLEY | RIEMENSCHIEBE |
| | 17 | 1.31727 | RONDELLA | RONDELLE | ARANDELA | WASHER | SCHIEBE |
| | 18 | 653.520 | DADO | ECROU | TUERCA | NUT | MUTTER |
| | 19 | 1.14383 | FLANGIA FISSAGGIO SPINE | FLASQUE | BRIDA | FLANGE | FLANSCH |
| | 20 | 401.525 | CUSCINETTO | ROULEMENT | RODAMIENTO | BEARING | LAGER |
| | 21 | 1.14391 | GHIERA COMANDO DISCO | BAGUE | VIROLA | RING NUT | GEWINDERING |
| | 22 | 621.1020 | VITE | VIS | TORNILLO | SCREW | SCHRAUBE |
| | 23 | 1.31750 | ALBERO COMANDO PIATTAFORMA | ARBRE | ARBOL | SHAFT | WELLE |
| | 24 | 389.405 | LINGUETTA | CLAVETTE | CHAVETA | KEY | KEIL |

| MODIF. | RIF. | N° ORDIN. | QUANT. | NOTE |
|--------|------|------------|--------|------|
| | 1 | 650.110 | 13 | |
| | 2 | 1.32739 | 1 | |
| | 3 | 354.110 | 3 | |
| | 4 | 1.32737 | 1 | |
| | 5 | 1.32736 | 1 | |
| | 6 | 611.1032 | 3 | |
| | 7 | 401.525 | 3 | |
| | 8 | 437.950 | (1) | |
| | 9 | 437.977 | 1 | |
| | 10 | 1.32741 | 1 | |
| | 11 | 437.5141 | 1 | |
| | 12 | 437.5100 | (1) | |
| | 13 | 355.01230 | 2 | |
| | 14 | 1.20567.60 | 1 | |
| | 15 | 357.052 | 2 | |
| C 0723 | 16 | 1.32740 | 2 | |
| D 0723 | 16 | 1.21613 | 2 | |
| | 17 | 357.125 | 1 | |
| | 18 | 354.112 | 1 | |
| | 19 | 621.1226 | 1 | |
| | 20 | 1.32738 | 1 | |
| | 21 | 401.520 | 1 | |
| | 22 | 357.047 | 1 | |
| | 23 | 357.120 | 1 | |
| | 24 | 377.440 | 1 | |
| | 25 | 1.34468 | 1 | |
| | 26 | 621.0607 | 5 | |
| | 27 | 355.10615 | 19 | |
| | 28 | 650.106 | 11 | |
| | 29 | 1.35393 | 1 | |
| | 30 | 383.470 | 1 | |
| | 31 | 1.34518 | 1 | |
| | 32 | 1.32746 | 42 | |
| | 33 | 1.32745 | 1 | |
| | 34 | 1.1430.40 | (2) | |
| | 35 | 373.115 | (12) | |
| | 36 | 1.34517 | 1 | |
| | 37 | 336.015 | 4 | |
| | 38 | 1.32750 | 1 | |
| | 39 | 356.062 | 1 | |
| | 40 | 1.32748 | 1 | |
| | 41 | 611.1036 | 4 | |
| | 42 | 355.02150 | 1 | |
| | 43 | 652.720 | 1 | |
| | 44 | 355.10820 | 2 | |
| | 45 | 354.108 | 2 | |
| | 46 | 621.0814 | 2 | |
| | 47 | 600.0607 | 3 | |
| | 48 | 354.106 | 11 | |
| | 49 | 1.35394 | 1 | |
| | 50 | 355.41710 | 2 | |



D 0723 tel. n° 5F223663 - 5F233440 - 5F243490 - 5F253505 - 5F273662 - 5F283665 - 5F293670 → ~~1.32740~~ + 1.21613 + 355.41710

| | | |
|--------------------------------------------------------------------------------|-------------------------------------------------------------------------------------|-------------|
| C 310 C 480 C 360 C 540 C 420 C 600 C 660 | COMANDO ASPO COMMANDE RABATTEUR MANDO MOLINETE REEL DRIVE HASPELANTRIEB | Q 18 |
| | | 5F790A05 |
| 6/1984 | | 5F790A00 |

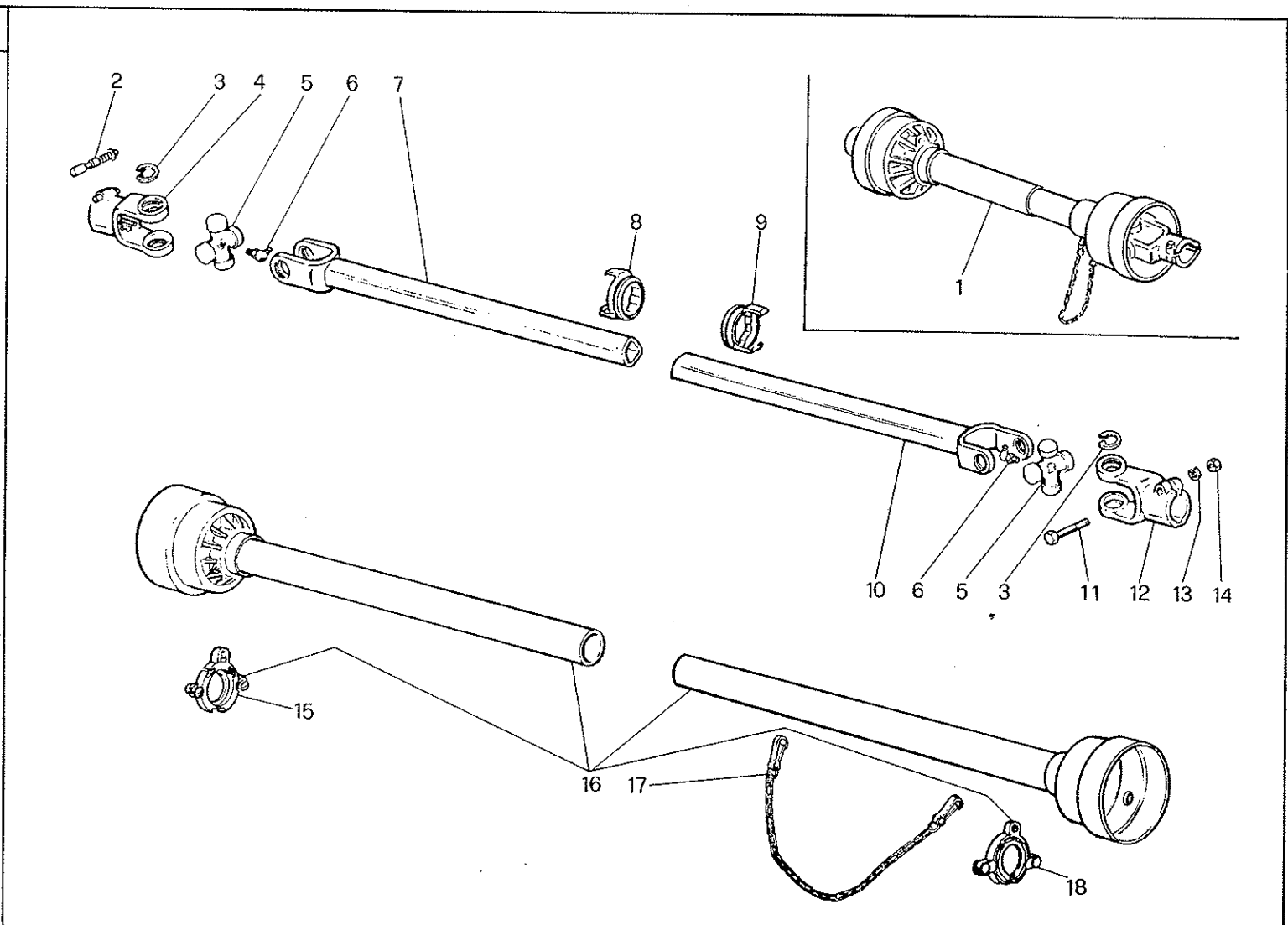
| MODIF. | RIF. | N° ORDIN. | DENOMINAZIONE | DESIGNATION | DENOMINACIONES | DESCRIPTION | BENENNUNG |
|--------|------|------------|-----------------------------|------------------|-------------------|------------------|------------------|
| | 1 | 650.110 | DADO | ECROU | TUERCA | NUT | MUTTER |
| | 2 | 1.32739 | TIRANTE TENDITORE CATENA | TIRANT | TIRANTE | TIE-ROD | SPANNBOLZEN |
| | 3 | 354.110 | ROSETTA ELASTICA | RONDELLE W | ARANDELA ELASTICA | SPRING WASHER | FEDERSCHEIBE |
| | 4 | 1.32737 | PIASTRA BLOCCAGGIO SUPPORTO | PLAQUE | PLACA | PLATE | PLATTE |
| | 5 | 1.32736 | SUPPORTO RINVIO | SUPPORT | SOPORTE | SUPPORT | HALTERUNG |
| | 6 | 611.1032 | VITE | VIS | TORNILLO | SCREW | SCHRAUBE |
| | 7 | 401.525 | CUSCINETTO | ROULEMENT | RODAMIENTO | BEARING | LAGER |
| | 8 | 437.950 | MAGLIA GIUNZIONE | MAILLON JONCTION | ESLABON DE EMPATE | CONNECTING LINK | KETTENSCHLOSS |
| | 9 | 437.977 | CATENA | CHAINE | CADENA | CHAIN | KETTE |
| | 10 | 1.32741 | MOZZO DISCO MOBILE CONDOTTO | MOYEU | CUBO | HUB | NABE |
| | 11 | 437.5141 | CATENA | CHAINE | CADENA | CHAIN | KETTE |
| | 12 | 437.5100 | MAGLIA GIUNZIONE | MAILLON JONCTION | ESLABON DE EMPATE | CONNECTING LINK | KETTENSCHLOSS |
| | 13 | 355.01230 | RONDELLA | RONDELLE | ARANDELA | WASHER | SCHEIBE |
| | 14 | 1.20567.60 | DISTANZIATORE | ENTRETOISE | ESPACIADOR | SPACER | DISTANZBUCHSE |
| | 15 | 357.052 | ANELLO ELASTICO | CIRCLIPS | ANILLO ELASTICO | CIRCLIP | SICHERUNGSRING |
| C 0723 | 16 | 1.32740 | TENDICATENA | PIGNON TENDEUR | PINON TENSOR | TENSION SPROCKET | KETTENSANNRITZEL |
| D 0723 | 16 | 1.21613 | TENDICATENA | PIGNON TENDEUR | PINON TENSOR | TENSION SPROCKET | KETTENSANNRITZEL |
| | 17 | 357.125 | ANELLO ELASTICO | CIRCLIPS | ANILLO ELASTICO | CIRCLIP | SICHERUNGSRING |
| | 18 | 354.112 | ROSETTA ELASTICA | RONDELLE W | ARANDELA ELASTICA | SPRING WASHER | FEDERSCHEIBE |
| | 19 | 621.1226 | VITE | VIS | TORNILLO | SCREW | SCHRAUBE |
| | 20 | 1.32738 | INGRANAGGIO | PIGNON | PINON | GEAR | ZAHNRAD |
| | 21 | 401.520 | CUSCINETTO | ROULEMENT | RODAMIENTO | BEARING | LAGER |
| | 22 | 357.047 | ANELLO ELASTICO | CIRCLIPS | ANILLO ELASTICO | CIRCLIP | SICHERUNGSRING |
| | 23 | 357.120 | ANELLO ELASTICO | CIRCLIPS | ANILLO ELASTICO | CIRCLIP | SICHERUNGSRING |
| | 24 | 377.440 | COPIGLIA | GOUPILLE | PASADOR ABIERTO | COTTER PIN | SPLINT |
| | 25 | 1.34468 | PROTEZIONE CATENA | PROTECTEUR | PROTECCION | GUARD | SCHUTZBLECH |
| | 26 | 621.0607 | VITE | VIS | TORNILLO | SCREW | SCHRAUBE |
| | 27 | 355.10615 | RONDELLA | RONDELLE | ARANDELA | WASHER | SCHEIBE |
| | 28 | 650.106 | DADO | ECROU | TUERCA | NUT | MUTTER |
| | 29 | 1.35393 | PROTEZIONE POSTERIORE | PROTECTEUR | PROTECCION | GUARD | SCHUTZBLECH |
| | 30 | 383.470 | LINGUETTA | CLAVETTE | CHAVETA | KEY | KEIL |
| | 31 | 1.34518 | MOZZO PARASTRAPPI | MOYEU | CUBO | HUB | NABE |
| | 32 | 1.32746 | RULLINO | ROULEAU | RODILLO | ROLLER | ROLLE |
| | 33 | 1.32745 | INGRANAGGIO | PIGNON | PINON | GEAR | ZAHNRAD |
| | 34 | 1.1430.40 | GUARNIZIONE | JOINT | JUNTA | GASKET | DICHTUNG |
| | 35 | 373.115 | RIBATTINO T.P. | RIVET | REMACHE | RIVET | NIETE |
| | 36 | 1.34517 | DISCO CONTENITORE RULLI | DISQUE | DISCO | DISC | SCHEIBE |
| | 37 | 336.015 | VITE | VIS | TORNILLO | SCREW | SCHRAUBE |
| | 38 | 1.32750 | DISCO PARASTRAPPI | DISQUE | DISCO | DISC | SCHEIBE |
| | 39 | 356.062 | MOLLA A TAZZA | RESSORT | RESORTE | SPRING | FEDER |
| | 40 | 1.32748 | DISCO PREMI MOLLA | DISQUE | DISCO | DISC | SCHEIBE |
| | 41 | 611.1036 | VITE | VIS | TORNILLO | SCREW | SCHRAUBE |
| | 42 | 355.02150 | RONDELLA | RONDELLE | ARANDELA | WASHER | SCHEIBE |
| | 43 | 652.720 | DADO | ECROU | TUERCA | NUT | MUTTER |
| | 44 | 355.10820 | RONDELLA | RONDELLE | ARANDELA | WASHER | SCHEIBE |
| | 45 | 354.108 | ROSETTA ELASTICA | RONDELLE W | ARANDELA ELASTICA | SPRING WASHER | FEDERSCHEIBE |
| | 46 | 621.0814 | VITE | VIS | TORNILLO | SCREW | SCHRAUBE |
| | 47 | 600.0607 | VITE | VIS | TORNILLO | SCREW | SCHRAUBE |
| | 48 | 354.106 | ROSETTA ELASTICA | RONDELLE W | ARANDELA ELASTICA | SPRING WASHER | FEDERSCHEIBE |
| | 49 | 1.35394 | PROTEZIONE | PROTECTEUR | PROTECCION | GUARD | SCHUTZBLECH |
| | 50 | 355.41710 | RONDELLA | RONDELLE | ARANDELA | WASHER | SCHEIBE |

| MODIF. | RIF. | N° ORDIN. | QUANT. | NOTE |
|--------|------|------------|--------|------|
| | 1 | 1.15781.00 | 1 | |
| | 2 | 6.1717.00 | (1) | |
| | 3 | 357.027 | (8) | |
| | 4 | 1.15805.00 | (1) | |
| | 5 | 1.15339.00 | (2) | |
| | 6 | 357.804 | (2) | |
| | 7 | 1.15806 | (1) | |
| | 8 | 1.28968 | (1) | |
| | 9 | 1.28969 | (1) | |
| | 10 | 1.15803 | (1) | |
| | 11 | 611.1032 | (1) | |
| | 12 | 1.15338 | (1) | |
| | 13 | 354.110 | (1) | |
| | 14 | 650.110 | (1) | |
| | 15 | 1.15838.00 | (1) | |
| | 16 | 1.15804.00 | (1) | |
| | 17 | 3.2673 | (1) | |
| | 18 | 1.15839.00 | (1) | |

| | | |
|--------------|------------------------------------------------------------------------------------|---------------|
| C 310 | ALBERO CARDANICO ARBRE A CARDANS ARBOL CARDAN CARDANIC SHAFT ZAPFWELLE | Q 19 A |
| | 2/1983 | 5F750A04 |

| MODIF. | RIF. | N° ORDIN. | DENOMINAZIONE | DESIGNATION | DENOMINACIONES | DESCRIPTION | BENENNUNG |
|--------|------|------------|-------------------------|-----------------|-------------------|----------------|-------------------|
| | 1 | 1.15781.00 | ALBERO CARDANICO | ARBRE A CARDANS | ARBOL CARDAN | CARDANIC SHAFT | ZAPFWELLENANTRIEB |
| | 2 | 6.1717.00 | PULSANTE | POUSSOIR | PULSANTE | PUSHBUTTON | DRUCKKNOPF |
| | 3 | 357.027 | ANELLO ELASTICO | CIRCLIPS | ANILLO ELASTICO | CIRCLIP | SICHERUNGSRING |
| | 4 | 1.15805.00 | FORCELLA CON PULSANTE | FOURCHETTE | HORQUILLA | FORK | GABEL |
| | 5 | 1.15339.00 | CROCIERA COMPLETA | CROISILLON | CRUCETA | CROSS JURNAL | KUPPLUNG |
| | 6 | 357.804 | INGRASSATORE | GRAISSEUR | ENGRASADOR | GREASE NIPPLE | SCHMIERNIPPEL |
| | 7 | 1.15806 | ALBERO ESTERNO | ARBRE | ARBOL | SHAFT | WELLE |
| | 8 | 1.28968 | GHIERA PER TUBO ESTERNO | BAGUE | VIROLA | RING NUT | GEWINDERING |
| | 9 | 1.28969 | GHIERA PER TUBO INTERNO | BAGUE | VIROLA | RING NUT | GEWINDERING |
| | 10 | 1.15803 | ALBERO INTERNO | ARBRE | ARBOL | SHAFT | WELLE |
| | 11 | 611.1032 | VITE | VIS | TORNILLO | SCREW | SCHRAUBE |
| | 12 | 1.15338 | FORCELLA | FOURCHETTE | HORQUILLA | FORK | GABEL |
| | 13 | 354.110 | ROSETTA ELASTICA | RONDELLE W | ARANDELA ELASTICA | SPRING WASHER | FEDERSCHEIBE |
| | 14 | 650.110 | DADO | ECROU | TUERCA | NUT | MUTTER |
| | 15 | 1.15838.00 | GHIERA PER PROTEZ. EST. | BAGUE | VIROLA | RING NUT | GEWINDERING |
| | 16 | 1.15804.00 | PROTEZIONE COMPLETA | PROTECTEUR | PROTECCION | GUARD | SCHUTZBLECH |
| | 17 | 3.2673 | CATENA PER PROTEZIONE | CHAINE | CADENA | CHAIN | KETTE |
| | 18 | 1.15839.00 | GHIERA PER PROTEZ. INT. | BAGUE | VIROLA | RONG NUT | GEWINDERING |

| MODIF. | RIF. | N° ORDIN. | QUANT. | NOTE |
|--------|------|------------|--------|------|
| | 1 | 1.15782.00 | 1 | |
| | 2 | 6.1717.00 | (1) | |
| | 3 | 357.027 | (8) | |
| | 4 | 1.15805.00 | (1) | |
| | 5 | 1.15339.00 | (2) | |
| | 6 | 357.804 | (2) | |
| | 7 | 1.15343 | (1) | |
| | 8 | 1.28968 | (1) | |
| | 9 | 1.28969 | (1) | |
| | 10 | 1.15344 | (1) | |
| | 11 | 611.1032 | (1) | |
| | 12 | 1.15338 | (1) | |
| | 13 | 354.110 | (1) | |
| | 14 | 650.110 | (1) | |
| | 15 | 1.15838.00 | (1) | |
| | 16 | 1.15345.00 | (1) | |
| | 17 | 3.2673 | (1) | |
| | 18 | 1.15839.00 | (1) | |



C 360

2/1983

ALBERO CARDANICO
 ARBRE A CARDANS
 ARBOL CARDAN
 CARDANIC SHAFT
 ZAPFWELLE

Q 19 B

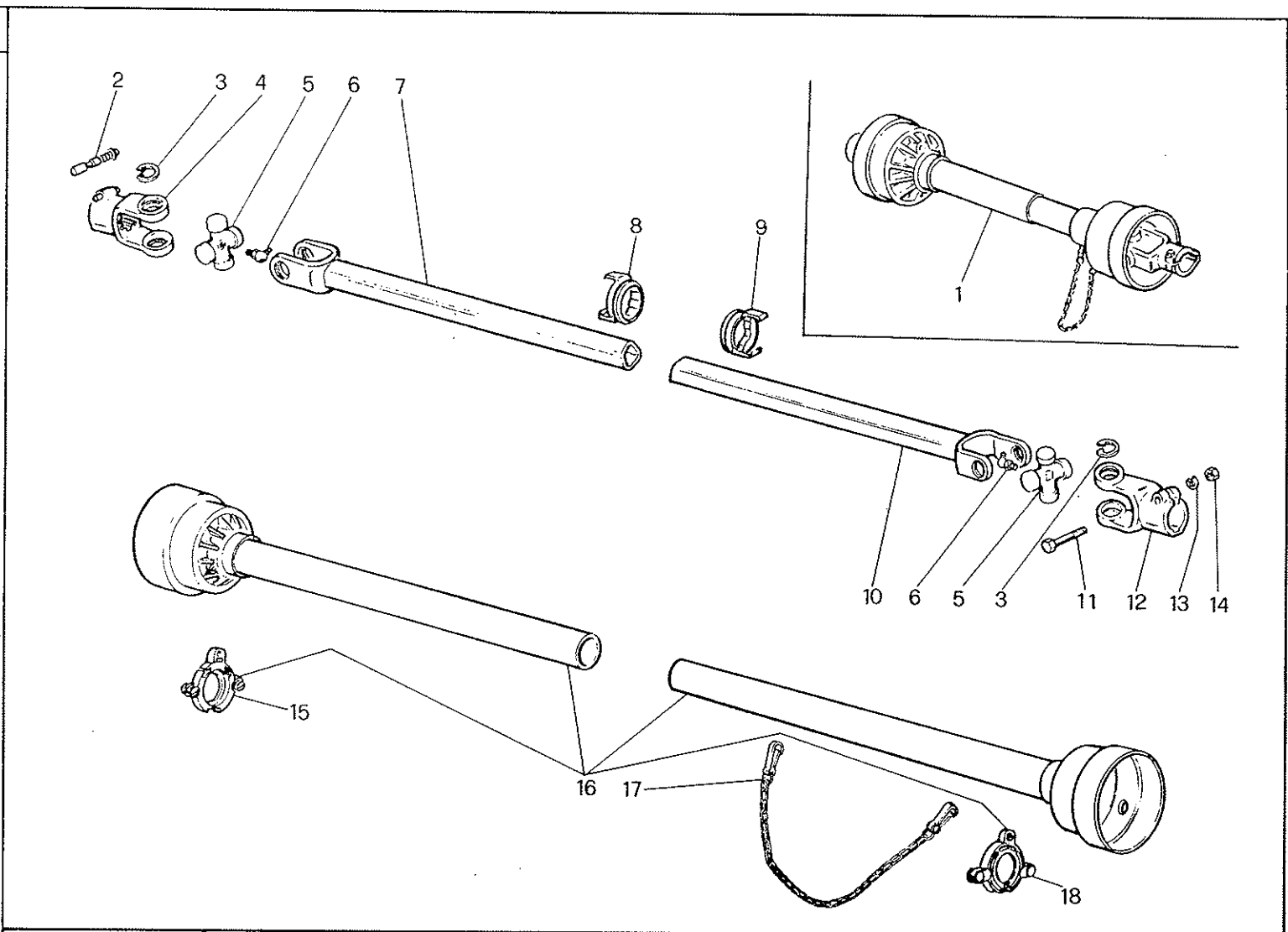
5F750A06

Q 19 B

LAVERDA

| MODIF. | RIF. | N° ORDIN. | DENOMINAZIONE | DESIGNATION | DENOMINACIONES | DESCRIPTION | BENENNUNG |
|--------|------|------------|----------------------------|-----------------|-------------------|----------------|-------------------|
| | 1 | 1.15782.00 | ALBERO CARDANICO | ARBRE A CARDANS | ARBOL CARDAN | CARDANIC SHAFT | ZAPFWELLENANTRIEB |
| | 2 | 6.1717.00 | PULSANTE | POUSSOIR | PULSANTE | PUSHBUTTON | DRUCKKNOPF |
| | 3 | 357.027 | ANELLO ELASTICO | CIRCLIPS | ANILLO ELASTICO | CIRCLIP | SICHERUNGSRING |
| | 4 | 1.15805.00 | FORCELLA CON PULSANTE | FOURCHETTE | HORQUILLA | FORK | GABEL |
| | 5 | 1.15339.00 | CROCIERA COMPLETA | CROISILLON | CRUCETA | CROSS JURNAL | KUPPLUNG |
| | 6 | 357.804 | INGRASSATORE | GRAISSEUR | ENGRASADOR | GREASE NIPPLE | SCHMIERNIPPEL |
| | 7 | 1.15343 | ALBERO ESTERNO | ARBRE | ARBOL | SHAFT | WELLE |
| | 8 | 1.28968 | GHIERA PER TUBO ESTERNO | BAGUE | VIROLA | RING NUT | GEWINDERING |
| | 9 | 1.28969 | GHIERA PER TUBO INTERNO | BAGUE | VIROLA | RING NUT | GEWINDERING |
| | 10 | 1.15344 | ALBERO INTERNO | ARBRE | ARBOL | SHAFT | WELLE |
| | 11 | 611.1032 | VITE | VIS | TORNILLO | SCREW | SCHRAUBE |
| | 12 | 1.15338 | FORCELLA | FOURCHETTE | HORQUILLA | FORK | GABEL |
| | 13 | 354.110 | ROSETTA ELASTICA | RONDELLE W | ARANDELA ELASTICA | SPRING WASHER | FEDERSCHEIBE |
| | 14 | 650.110 | DADO | ECROU | TUERCA | NUT | MUTTER |
| | 15 | 1.15838.00 | GHIERA PER PROTEZIONE EST. | BAGUE | VIROLA | RING NUT | GEWINDERING |
| | 16 | 1.15345.00 | PROTEZIONE COMPLETA | PROTECTEUR | PROTECCION | GUARD | SCHUTZBLECH |
| | 17 | 3.2673 | CATENA PER PROTEZIONE | CHAINE | CADENA | CHAIN | KETTE |
| | 18 | 1.15839.00 | GHIERA PER PROTEZIONE INT. | BAGUE | VIROLA | RING NUT | GEWINDERING |

| MODIF. | RIF. | N° ORDIN. | QUANT. | NOTE |
|--------|------|------------|--------|------|
| | 1 | 1.15783.00 | 1 | |
| | 2 | 6.1717.00 | (1) | |
| | 3 | 357.027 | (8) | |
| | 4 | 1.15805.00 | (1) | |
| | 5 | 1.15339.00 | (2) | |
| | 6 | 357.804 | (2) | |
| | 7 | 1.15346 | (1) | |
| | 8 | 1.28968 | (1) | |
| | 9 | 1.28969 | (1) | |
| | 10 | 1.15347 | (1) | |
| | 11 | 611.1032 | (1) | |
| | 12 | 1.15338 | (1) | |
| | 13 | 354.110 | (1) | |
| | 14 | 650.110 | (1) | |
| | 15 | 1.15838.00 | (1) | |
| | 16 | 1.15348.00 | (1) | |
| | 17 | 3.2673 | (1) | |
| | 18 | 1.15839.00 | (1) | |



C 420

2/1983

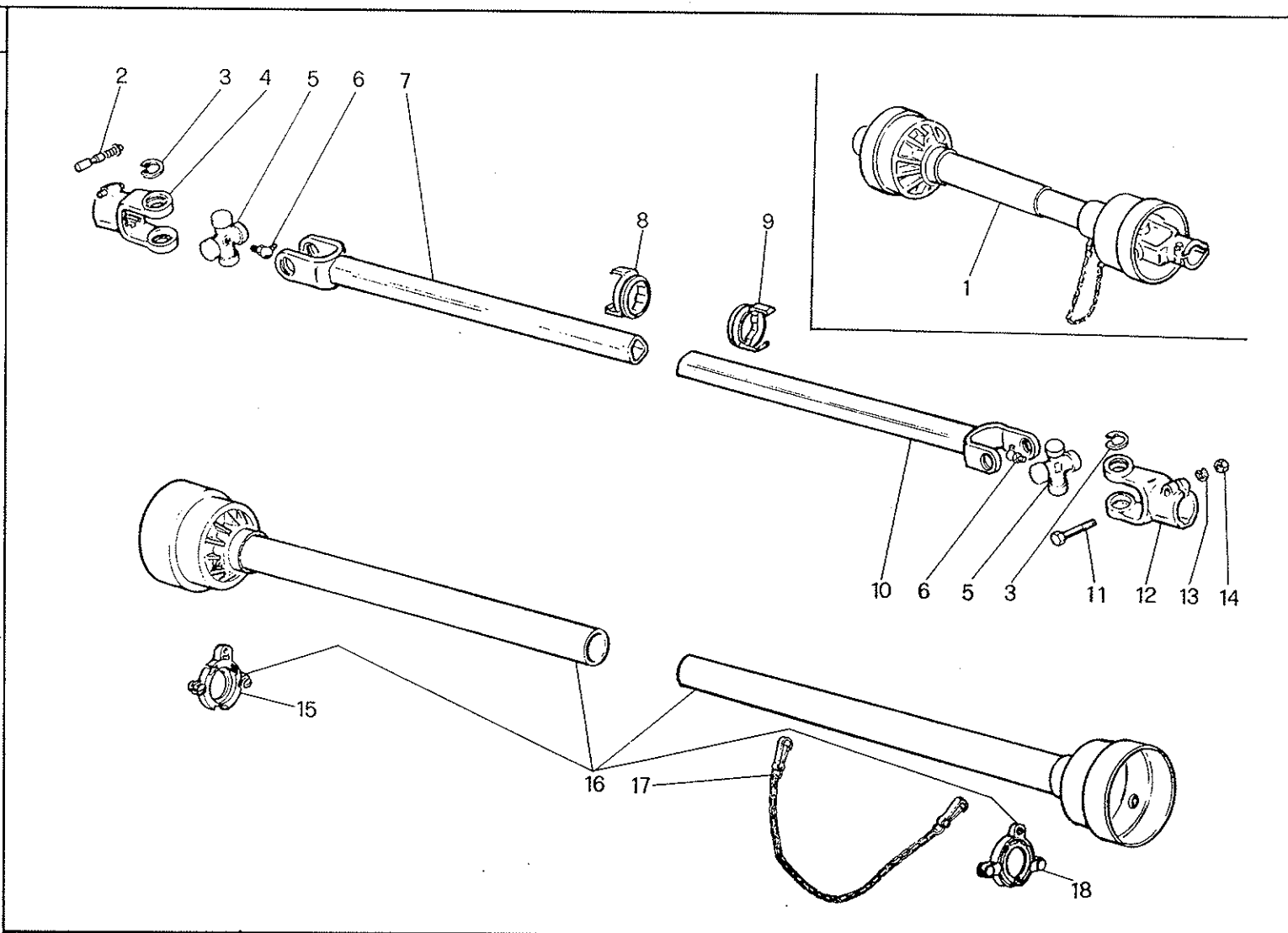
ALBERO CARDANICO
 ARBRE A CARDANS
 ARBOL CARDAN
 CARDANIC SHAFT
 ZAPFWELLE

Q 19 D

5F750A10

| MODIF. | RIF. | N° ORDIN. | DENOMINAZIONE | DESIGNATION | DENOMINACIONES | DESCRIPTION | BENENNUNG |
|--------|------|------------|----------------------------|-----------------|-------------------|----------------|-------------------|
| | 1 | 1.15783.00 | ALBERO CARDANICO | ARBRE A CARDANS | ARBOL CARDAN | CARDANIC SHAFT | ZAPFWELLENANTRIEB |
| | 2 | 6.1717.00 | PULSANTE | POUSSOIR | PULSANTE | PUSHBUTTON | DRUCKKNOPF |
| | 3 | 357.027 | ANELLO ELASTICO | CIRCLIPS | ANILLO ELASTICO | CIRCLIP | SICHERUNGSRING |
| | 4 | 1.15805.00 | FORCELLA CON PULSANTE | FOURCHETTE | HORQUILLA | FORK | GABEL |
| | 5 | 1.15339.00 | CROCIERA COMPLETA | CROISILLON | CRUCETA | CROSS JURNAL | KUPPLUNG |
| | 6 | 357.804 | INGRASSATORE | GRAISSEUR | ENGRASADOR | GREASE NIPPLE | SCHMIERNIPPEL |
| | 7 | 1.15346 | ALBERO ESTERNO | ARBRE | ARBOL | SHAFT | WELLE |
| | 8 | 1.28968 | GHIERA PER TUBO ESTERNO | BAGUE | VIROLA | RING NUT | GEWINDERING |
| | 9 | 1.28969 | GHIERA PER TUBO INTERNO | BAGUE | VIROLA | RING NUT | GEWINDERING |
| | 10 | 1.15347 | ALBERO INTERNO | ARBRE | ARBOL | SHAFT | WELLE |
| | 11 | 611.1032 | VITE | VIS | TORNILLO | SCREW | SCHRAUBE |
| | 12 | 1.15338 | FORCELLA | FOURCHETTE | HORQUILLA | FORK | GABEL |
| | 13 | 354.110 | ROSETTA ELASTICA | RONDELLE W | ARANDELA ELASTICA | SPRING WASHER | FEDERSCHEIBE |
| | 14 | 650.110 | DADO | ECROU | TUERCA | NUT | MUTTER |
| | 15 | 1.15838.00 | GHIERA PER PROTEZIONE EST. | BAGUE | VIROLA | RING NUT | GEWINDERING |
| | 16 | 1.15348.00 | PROTEZIONE COMPLETA | PROTECTEUR | PROTECCION | GUARD | SCHUTZBLECH |
| | 17 | 3.2673 | CATENA PER PROTEZIONE | CHAINE | CADENA | CHAIN | KETTE |
| | 18 | 1.15839.00 | GHIERA PER PROTEZIONE INT. | BAGUE | VIROLA | RING NUT | GEWINDERING |

| MODIF. | RIF. | N° ORDIN. | QUANT. | NOTE |
|--------|------|------------|--------|------|
| | 1 | 1.15784.00 | 1 | |
| | 2 | 6.1717.00 | (1) | |
| | 3 | 357.027 | (8) | |
| | 4 | 1.15805.00 | (1) | |
| | 5 | 1.15339.00 | (2) | |
| | 6 | 357.804 | (2) | |
| | 7 | 1.15349 | (1) | |
| | 8 | 1.28968 | (1) | |
| | 9 | 1.28969 | (1) | |
| | 10 | 1.15350 | (1) | |
| | 11 | 611.1032 | (1) | |
| | 12 | 1.15338 | (1) | |
| | 13 | 354.110 | (1) | |
| | 14 | 650.110 | (1) | |
| | 15 | 1.15838.00 | (1) | |
| | 16 | 1.15351.00 | (1) | |
| | 17 | 3.2673 | (1) | |
| | 18 | 1.15839.00 | (1) | |



C 480
C 540
C 600

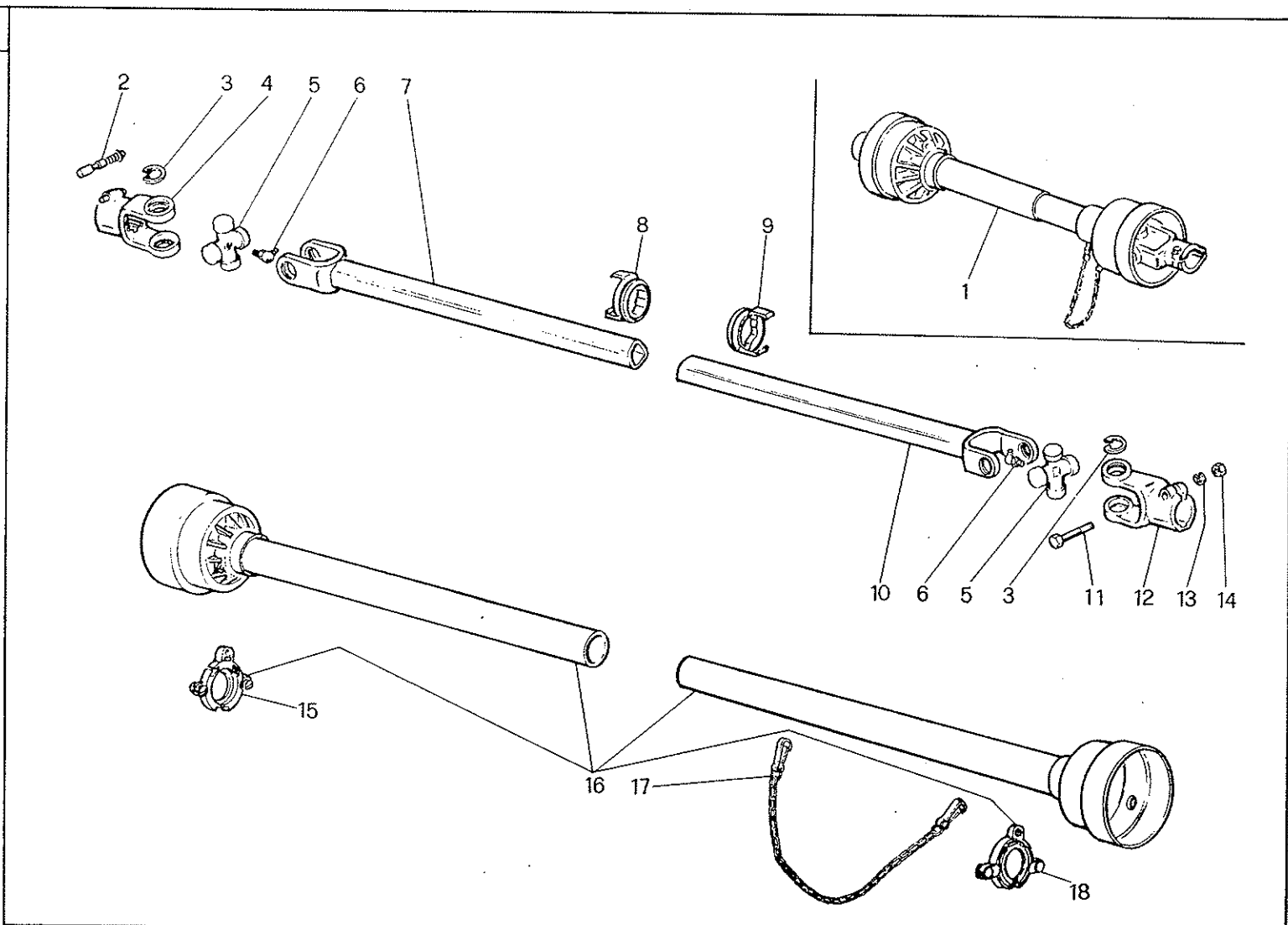
ALBERO CARDANICO
 ARBRE A CARDANS
 ARBOL CARDAN
 CARDANIC SHAFT
 ZAPFWELLE

Q 19 E

5F750A14
 5F750A16

| MODIF. | RIF. | N° ORDIN. | DENOMINAZIONE | DESIGNATION | DENOMINACIONES | DESCRIPTION | BENENNUNG |
|--------|------|------------|----------------------------|----------------|-------------------|----------------|-------------------|
| | 1 | 1.15783.00 | ALBERO CARDANICO | ARBRE A CARDAN | ARBOL DE CARDAN | CARDANIC SHAFT | ZAPFWELLENANTRIEB |
| | 2 | 6.1717.00 | PULSANTE | POUSSOIR | PULSANTE | PUSHBUTTON | KNOPF |
| | 3 | 357.027 | ANELLO ELASTICO | CIRCLIPS | ANILLO ELASTICO | CIRCLIP | SICHERUNGSRING |
| | 4 | 1.15805.00 | FORCELLA CON PULSANTE | FOURCHETTE | HORQUILLA | FORK | GABEL |
| | 5 | 1.15339.00 | CROCIERA COMPLETA | CROISILLON | CRUCETA | CROSS JURNAL | KUPPLUNG |
| | 6 | 357.804 | INGRASSATORE | GRAISSEUR | ENGRASADOR | GREASE NIPPLE | SCHMIERNIPPEL |
| | 7 | 1.15346 | ALBERO ESTERNO | ARBRE | ARBOL | SHAFT | WELLE |
| | 8 | 1.28968 | GHIERA PER TUBO ESTERNO | MONTURE | VIROLA | RING NUT | GEWINDERING |
| | 9 | 1.28969 | GHIERA PER TUBO INTERNO | MONTURE | VIROLA | RING NUT | GEWINDERING |
| | 10 | 1.15347 | ALBERO INTERNO | ARBRE | ARBOL | SHAFT | WELLE |
| | 11 | 611.1032 | VITE | VIS | TORNILLO | SCREW | SCHRAUBE |
| | 12 | 1.15338 | FORCELLA | FOURCHETTE | HORQUILLA | FORK | GABEL |
| | 13 | 354.110 | ROSETTA ELASTICA | RONDELLE W | ARANDELA ELASTICA | SPRING WASHER | FEDERSCHEIBE |
| | 14 | 650.110 | DADO | ECROU | TUERCA | NUT | MUTTER |
| | 15 | 1.15838.00 | GHIERA PER PROTEZIONE EST. | BAGUE | VIROLA | RING NUT | GEWINDERING |
| | 16 | 1.15348.00 | PROTEZIONE COMPLETA | PROTECTEUR | PROTECCION | GUARD | SCHUTZBLECH |
| | 17 | 3.2673 | CATENA PER PROTEZIONI | CHAINE | CADENA | CHAIN | KETTE |
| | 18 | 1.15839.00 | GHIERA PER PROTEZIONE INT. | BAGUE | VIROLA | RING NUT | GEWINDERING |

| MODIF. | RIF. | N° ORDIN. | QUANT. | NOTE |
|--------|------|------------|--------|------|
| | 1 | 1.15783.00 | 1 | |
| | 2 | 6.1717.00 | (1) | |
| | 3 | 357.027 | (8) | |
| | 4 | 1.15805.00 | (1) | |
| | 5 | 1.15339.00 | (2) | |
| | 6 | 357.804 | (2) | |
| | 7 | 1.15346 | (1) | |
| | 8 | 1.28968 | (1) | |
| | 9 | 1.28969 | (1) | |
| | 10 | 1.15347 | (1) | |
| | 11 | 611.1032 | (1) | |
| | 12 | 1.15338 | (1) | |
| | 13 | 354.110 | (1) | |
| | 14 | 650.110 | (1) | |
| | 15 | 1.15838.00 | (1) | |
| | 16 | 1.15348.00 | (1) | |
| | 17 | 3.2673 | (1) | |
| | 18 | 1.15839.00 | (1) | |



C 480

2/1983

ALBERO CARDANICO 3900
 ARBRE A CARDANS
 ARBOL CARDAN
 CARDANIC SHAFT
 ZAPFWELLE

Q 19 F

5F750A12

Q 19 F

LAVERDA

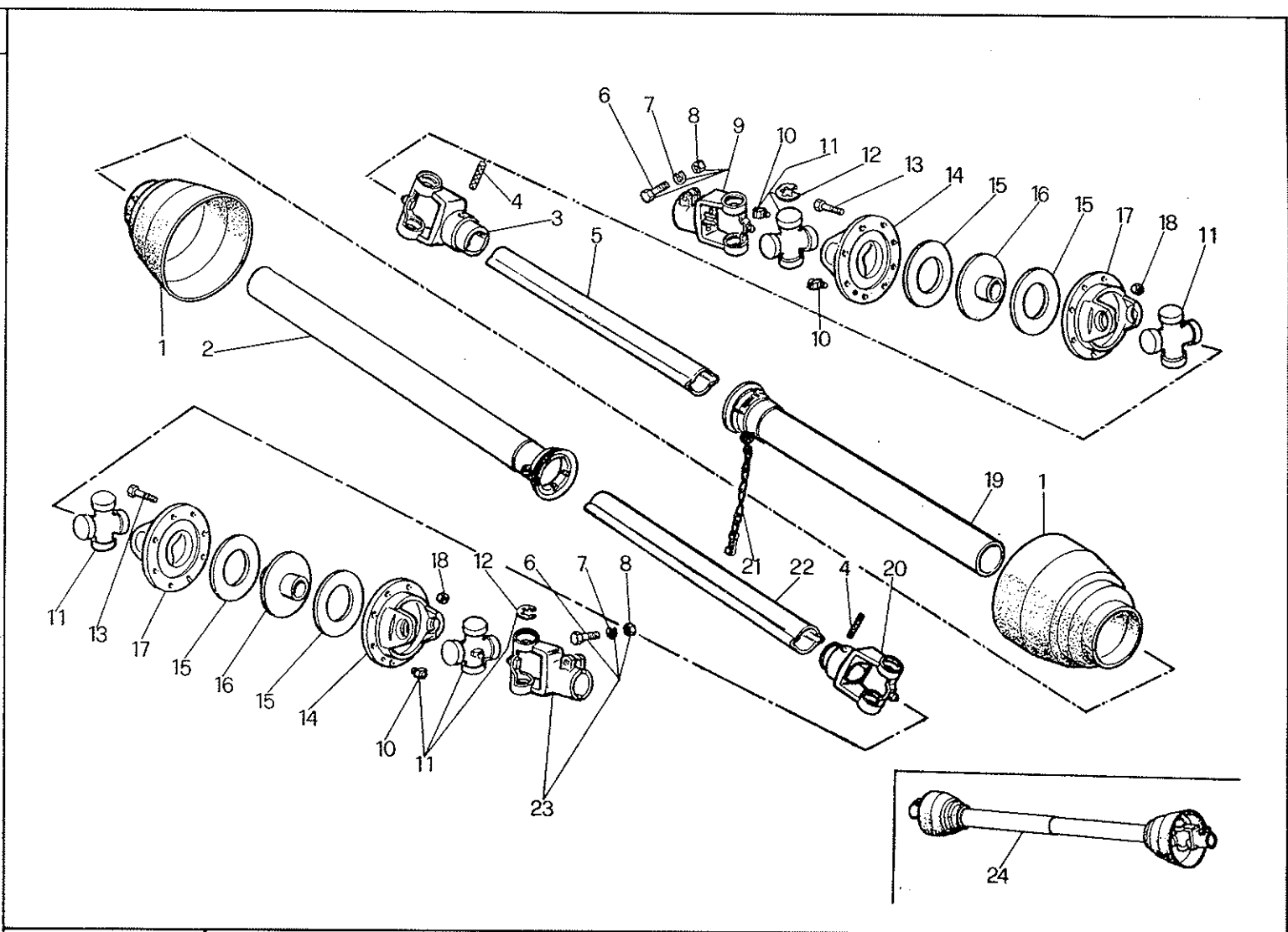
| MODIF. | RIF. | N° ORDIN. | DENOMINAZIONE | DESIGNATION | DENOMINACIONES | DESCRIPTION | BENENNUNG |
|--------|------|------------|-------------------------|----------------|-------------------|----------------|-------------------|
| | 1 | 1.15784.00 | ALBERO CARDANICO | ARBRE A CARDAN | ARBOL DE CARDAN | CARDANIC SHAFT | ZAPFWELLENANTRIEB |
| | 2 | 6.1717.00 | PULSANTE | POUSSOIR | PULSANTE | PUSHBUTTON | DRUCKKNOPF |
| | 3 | 357.027 | ANELLO ELASTICO | CIRCLIPS | ANILLO ELASTICO | CIRCLIP | SICHERUNGSRING |
| | 4 | 1.15805.00 | FORCELLA CON PULSANTE | FOURCHETTE | HORQUILLA | FORK | GABEL |
| | 5 | 1.15339.00 | CROCIERA COMPLETA | CROISILLON | CRUCETA | CROSS JURNAL | KUPPLUNG |
| | 6 | 357.804 | INGRASSATORE | GRAISSEUR | ENGRASADOR | GREASE NIPPLE | SCHMIERNIPPEL |
| | 7 | 1.15349 | ALBERO ESTERNO | ARBRE | ARBOL | SHAFT | WELLE |
| | 8 | 1.28968 | GHIERA PER TUBO ESTERNO | BAGUE | VIROLA | RING NUT | GEWINDERING |
| | 9 | 1.28969 | GHIERA PER TUBO INTERNO | BAGUE | VIROLA | RING NUT | GEWINDERING |
| | 10 | 1.15350 | ALBERO INTERNO | ARBRE | ARBOL | SHAFT | WELLE |
| | 11 | 611.1032 | VITE | VIS | TORNILLO | SCREW | SCHRAUBE |
| | 12 | 1.15338 | FORCELLA | FOURCHETTE | HORQUILLA | FORK | GABEL |
| | 13 | 354.110 | ROSETTA ELASTICA | RONDELLE W | ARANDELA ELASTICA | SPRING WASHER | FEDERSCHEIBE |
| | 14 | 650.110 | DADO | ECROU | TUERCA | NUT | MUTTER |
| | 15 | 1.15838.00 | GHIERA PER PROTEZ. EST. | BAGUE | VIROLA | RING NUT | GEWINDERING |
| | 16 | 1.15351.00 | PROTEZIONE COMPLETA | PROTECTEUR | PROTECCION | GUARD | SCHUTZBLECH |
| | 17 | 3.2673 | CATENA PER PROTEZIONE | CHAINE | CADENA | CHAIN | KETTE |
| | 18 | 1.15839.00 | GHIERA PER PROTEZ. INT. | BAGUE | VIROLA | RING NUT | GEWINDERING |

| MODIF. | RIF. | N° ORDIN. | QUANT. | NOTE |
|--------|------|------------|--------|------|
| | 1 | 1.35522.00 | 1 | |
| | 2 | 6.1717.00 | (1) | |
| | 3 | 357.027 | (8) | |
| | 4 | 1.15805.00 | (1) | |
| | 5 | 1.15339.00 | (2) | |
| | 6 | 357.804 | (2) | |
| | 7 | 1.35806 | (1) | |
| | 8 | 1.28968 | (1) | |
| | 9 | 1.28969 | (1) | |
| | 10 | 1.35807 | (1) | |
| | 11 | 611.1032 | (1) | |
| | 12 | 1.15338 | (1) | |
| | 13 | 354.110 | (1) | |
| | 14 | 650.110 | (1) | |
| | 15 | 1.15838.00 | (1) | |
| | 16 | 1.35808.00 | (1) | |
| | 17 | 3.2673 | (1) | |
| | 18 | 1.15839.00 | (1) | |

| | | |
|--------------|------------------------------------------------------------------------------------|---------------|
| C 660 | ALBERO CARDANICO ARBRE A CARDANS ARBOL CARDAN CARDANIC SHAFT ZAPFWELLE | Q 19 G |
| | 2/1983 | 5F170A18 |

| MODIF | RIF | N° ORDIN. | DENOMINAZIONE | DESIGNATION | DENOMINACIONES | DESCRIPTION | BENENNUNG |
|-------|-----|------------|----------------------------|----------------|-------------------|----------------|-------------------|
| | 1 | 1.35572.00 | ALBERO CARDANICO | ARBRE A CARDAN | ARBOL DEL CARDAN | CARDANIC SHAFT | ZAPFWELLENANTRIEB |
| | 2 | 6.1717.00 | PULSANTE | POUSSOIR | PULSANTE | PUSHBUTTON | KNOPF |
| | 3 | 357.027 | ANELLO ELASTICO | CIRCLIPS | ANILLO ELASTICO | CIRCLIP | SICHERUNGSRING |
| | 4 | 1.15805.00 | FORCELLA CON PULSANTE | FOURCHETTE | HORQUILLA | FORK | GABEL |
| | 5 | 1.15339.00 | CROCIERA COMPLETA | CROISILLON | CRUCETA | CROSS JURNAL | KUPPLUNG |
| | 6 | 357.804 | INGRASSATORE | GRAISSEUR | ENGRASADOR | GREASE NIPPLE | SCHMIERNIPPEL |
| | 7 | 1.35806 | ALBERO ESTERNO | ARBRE | ARBOL | SHAFT | WELLE |
| | 8 | 1.28968 | GHIERA PER TUBO ESTERNO | MONTURE | VIROLA | RING NUT | GEWINDERING |
| | 9 | 1.28969 | GHIERA PER TUBO INTERNO | MONTURE | VIROLA | RING NUT | GEWINDERING |
| | 10 | 1.35807 | ALBERO INTERNO | ARBRE | ARBOL | SHAFT | WELLE |
| | 11 | 611.1032 | VITE | VIS | TORNILLO | SCREW | SCHRAUBE |
| | 12 | 1.15338 | FORCELLA | FOURCHETTE | HORQUILLA | FORK | GABEL |
| | 13 | 354.110 | ROSETTA ELASTICA | RONDELLE W | ARANDELA ELASTICA | SPRING WASHER | FEDERSCHEIBE |
| | 14 | 650.110 | DADO | ECROU | TUERCA | NUT | MUTTER |
| | 15 | 1.15838.00 | GHIERA PER PROTEZIONE EST. | BAGUE | VIROLA | RING NUT | GEWINDERING |
| | 16 | 1.35808.00 | PROTEZIONE COMPLETA | PROTECTEUR | PROTECCION | GUARD | SCHUTZBLECH |
| | 17 | 3.2673 | CATENA PER PROTEZIONI | CHAINE | CADENA | CHAIN | KETTE |
| | 18 | 1.15839.00 | GHIERA PER PROTEZIONE INT. | BAGUE | VIROLA | RING NUT | GEWINDERING |

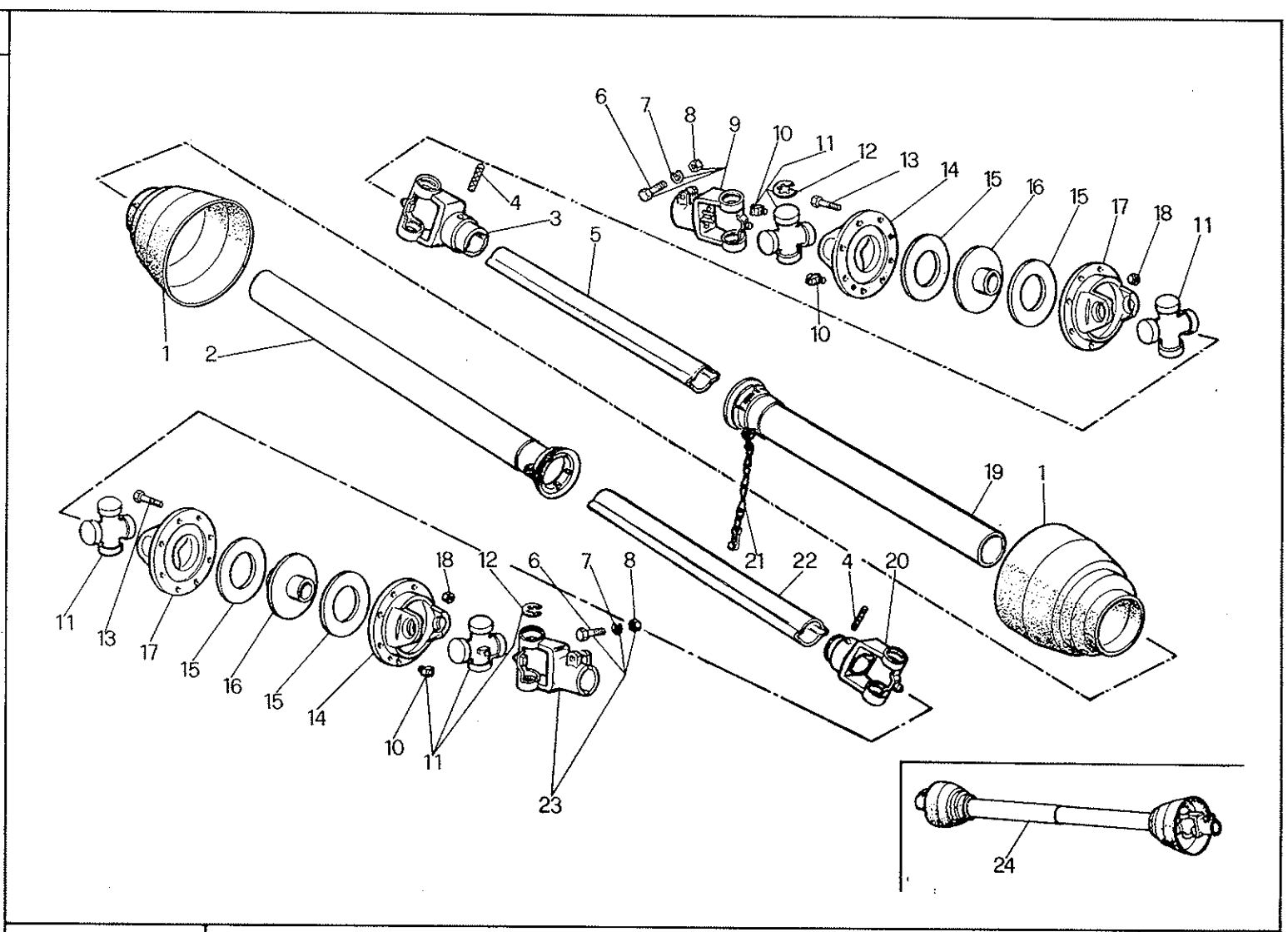
| MODIF. | RIF. | N° ORDIN. | QUANT. | NOTE |
|--------|------|------------|--------|------|
| | 1 | 1.29423 | (2) | |
| | 2 | 1.29583.00 | (1) | |
| | 3 | 1.19833.30 | (1) | |
| | 4 | 378.660 | (2) | |
| | 5 | 1.29585 | (1) | |
| | 6 | 611.1234 | (2) | |
| | 7 | 354.112 | (2) | |
| | 8 | 650.112 | (2) | |
| | 9 | 1.19834.00 | (1) | |
| | 10 | 4.1238.50 | (6) | |
| | 11 | 1.19961.00 | (4) | |
| | 12 | 357.0424 | (16) | |
| | 13 | 621.0618 | (16) | |
| | 14 | 1.19835.30 | (2) | |
| | 15 | 1.19960 | (4) | |
| | 16 | 1.19836 | (2) | |
| | 17 | 1.19835.31 | (2) | |
| | 18 | 650.106 | (16) | |
| | 19 | 1.29584.00 | (1) | |
| | 20 | 1.19833.31 | (1) | |
| | 21 | 1.19837 | (1) | |
| | 22 | 1.29586 | (1) | |
| | 23 | 1.29582.00 | (1) | |
| | 24 | 1.19299.00 | 1 | |



| | | |
|-------------------------------|------------------------------------------------------------------------------------|---------------|
| C 420 3350AL | ALBERO CARDANICO ARBRE A CARDANS ARBOL CARDAN CARDANIC SHAFT ZAPFWELLE | Q 19 K |
| | | 5F750G29 |
| 2/1983 | | |

| MODIF. | RIE | N° ORDIN. | DENOMINAZIONE | DESIGNATION | DENOMINACIONES | DESCRIPTION | BENENNUNG |
|--------|-----|------------|--------------------------------|---------------------|--------------------|----------------------|-----------------------|
| | 1 | 1.29423 | PROTEZIONE FORCELLA | PROTECTEUR | PROTECCION | GUARD | SCHUTZBLECH |
| | 2 | 1.29583.00 | COMPL. PROTEZIONE ALBERO | PROTECTEUR CPT | CONJ. PROTECCION | GUARD, ASSY | SCHUTZBLECH KPL |
| | 3 | 1.19833.30 | FORCELLA ALBERO ESTERNO | FOURCHETTE | HORQUILLA | FORK | GABEL |
| | 4 | 378.660 | SPINA ELASTICA | GOUPILLE ELAST. | PASADOR | ROLL PIN | SPANNUELSE |
| | 5 | 1.29585 | ALBERO ESTERNO | ARBRE | ARBOL | SHAFT | WELLE |
| | 6 | 611.1234 | VITE | VIS | TORNILLO | SCREW | SCHRAUBE |
| | 7 | 354.112 | ROSETTA ELASTICA | RONDELLE W | ARANDELA ELASTICA | SPRING WASHER | FEDERSCHEIBE |
| | 8 | 650.112 | DADO | ECROU | TUERCA | NUT | MUTTER |
| | 9 | 1.19834.00 | COMPLESSIVO FORCELLA SCANALATA | FOURCHE CPT | CONJ HORQUILLA | FORK, ASSY | GABEL KPL |
| | 10 | 4.1238.50 | INGRASSATORE | GRAISSEUR | ENGRASADOR | GREASE NIPPLE | SCHMIERNIPPEL |
| | 11 | 1.19961.00 | COMPLESSIVO CROCIERA | CROISILLON CPT | CONJUNTO CRUCETA | CENTRE CROSS, SPIDER | GELENKKREUZ |
| | 12 | 357.0424 | ANELLO ELASTICO | CIRCLIPS | ANILLO ELASTICO | CIRCLIP | SICHERUNGSRING |
| | 13 | 621.0618 | VITE | VIS | TORNILLO | SCREW | SCHRAUBE |
| | 14 | 1.19835.30 | SEMISCATOLA ESTERNA | DEMI-CARTER EXT. | SEMI-CAJA EXT. | OUTER HALF-COVER | GEHAUSE |
| | 15 | 1.19960 | DISCO | DISQUE | DISCO | DISC | SCHEIBE |
| | 16 | 1.19836 | FLANGIA | FLASQUE | BRIDA | FLANGE | FLANSCH |
| | 17 | 1.19835.31 | SEMISCATOLA INTERNA | DEMI-CARTER INT. | SEMI-CAJA INT. | INNER HALF-COVER | GEHAUSE |
| | 18 | 650.106 | DADO | ECROU | TUERCA | NUT | MUTTER |
| | 19 | 1.29584.00 | COMPL. PROTEZIONE ALBERO | PROTECTEUR CPT | CONJ. PROTECCION | GUARD, ASSY | SCHUTZBLECH KPL |
| | 20 | 1.19833.31 | FORCELLA ALBERO INTERNO | FOURCHETTE | HORQUILLA | FORK | GABEL |
| | 21 | 1.19837 | CATENA D'ARRESTO | CHAINE | CADENA | CHAIN | KETTE |
| | 22 | 1.29586 | ALBERO INTERNO | ARBRE | ARBOL | SHAFT | WELLE |
| | 23 | 1.29582.00 | COMPL. FORCELLA CON CAVA | FOURCHE CPT | CONJ. HORQUILLA | FORK, ASSY | GABEL KPL |
| | 24 | 1.19299.00 | COMPL. ALBERO CARDANICO | ARBRE A CARDANS CPT | CONJ. ARBOL CARDAN | CARDANIC SHAFT, ASSY | ZAPFWELLENANTRIEB KPL |

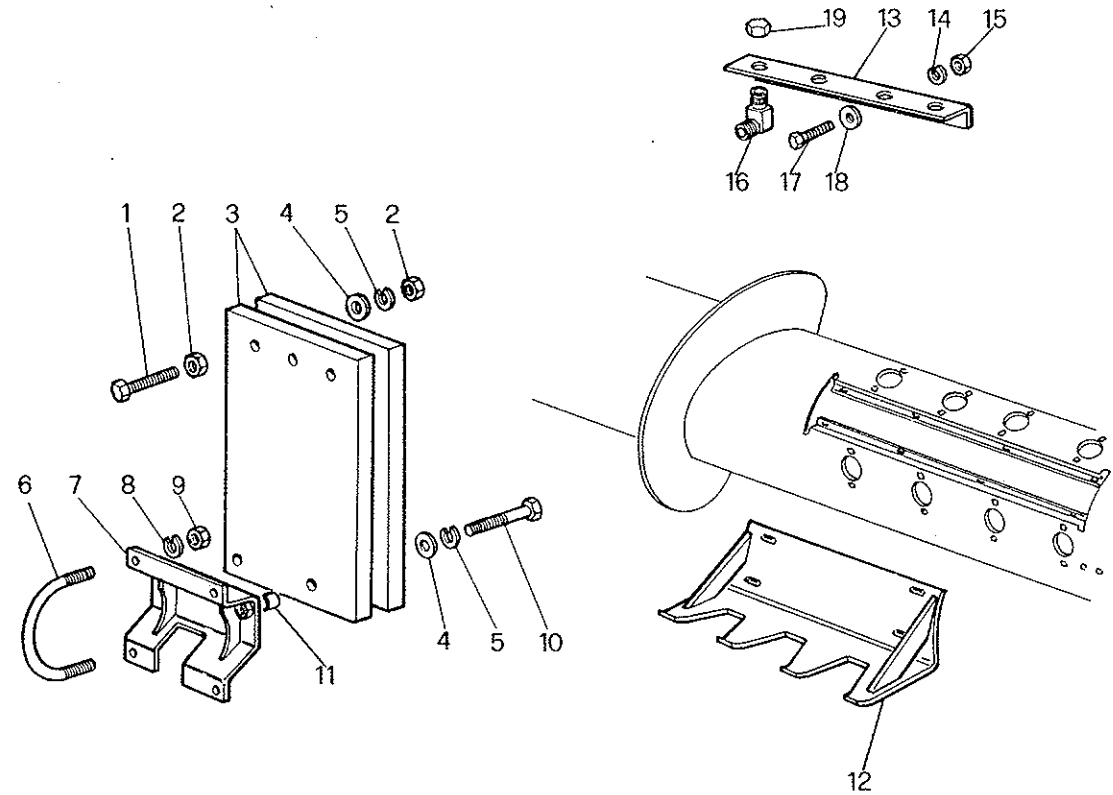
| MODIF. | RIF. | N° ORDIN. | QUANT. | NOTE |
|--------|------|------------|--------|------|
| | 1 | 1.29423 | (2) | |
| | 2 | 1.29578.00 | (1) | |
| | 3 | 1.19833.30 | (1) | |
| | 4 | 378.660 | (2) | |
| | 5 | 1.29580 | (1) | |
| | 6 | 611.1234 | (2) | |
| | 7 | 354.112 | (2) | |
| | 8 | 650.112 | (2) | |
| | 9 | 1.19834.00 | (1) | |
| | 10 | 4.1238.50 | (6) | |
| | 11 | 1.19961.00 | (4) | |
| | 12 | 357.0424 | (16) | |
| | 13 | 621.0618 | (16) | |
| | 14 | 1.19835.30 | (2) | |
| | 15 | 1.19960 | (4) | |
| | 16 | 1.19836 | (2) | |
| | 17 | 1.19835.31 | (2) | |
| | 18 | 650.106 | (16) | |
| | 19 | 1.29579.00 | (1) | |
| | 20 | 1.19833.31 | (1) | |
| | 21 | 1.19837 | (1) | |
| | 22 | 1.29581 | (1) | |
| | 23 | 1.29582.00 | (1) | |
| | 24 | 1.19151.00 | 1 | |



| | | |
|-----------------------------------|------------------------------------------------------------------------------------|---------------|
| C 480 3350AL | ALBERO CARDANICO ARBRE A CARDANS ARBOL CARDAN CARDANIC SHAFT ZAPFWELLE | Q 19 L |
| | | 2/1983 |

| MODIF. | RIF. | N° ORDIN. | DENOMINAZIONE | DESIGNATION | DENOMINACIONES | DESCRIPTION | BENENNUNG |
|--------|------|------------|--------------------------------|---------------------|--------------------|----------------------|-------------------|
| | 1 | 1.29423 | PROTEZIONE FORCELLA | PROTECTEUR | PROTECCION | GUARD | SCHUTZBLECH |
| | 2 | 1.29578.00 | COMPL. PROTEZIONE ALBERO | PROTECTEUR CPT | CONJ. PROTECCION | GUARD, ASSY | SCHUTZBLECH KPL |
| | 3 | 1.19833.30 | FORCELLA ALBERO ESTERNO | FOURCHETTE | HORQUILLA | FORK | GABEL |
| | 4 | 378.660 | SPINA ELASTICA | GOUPILLE ELAST. | PASADOR | ROLL PIN | SPANNUELSE |
| | 5 | 1.29580 | ALBERO ESTERNO | ARBRE | ARBOL | SHAFT | WELLE |
| | 6 | 611.1234 | VITE | VIS | TORNILLO | SCREW | SCHRAUBE |
| | 7 | 354.112 | ROSETTA ELASTICA | RONDELLE W | ARANDELA ELASTICA | SPRING WASHER | FEDERSCHEIBE |
| | 8 | 650.112 | DADO | ECROU | TUERCA | NUT | MUTTER |
| | 9 | 1.19834.00 | COMPLESSIVO FORCELLA SCANALATA | FOURCHE CPT | CONJ. HORQUILLA | FORK, ASSY | GABEL KPL |
| | 10 | 4.1238.50 | INGRASSATORE | GRAISSEUR | ENGRASADOR | GREASE NIPPLE | SCHMIERNIPPEL |
| | 11 | 1.19961.00 | COMPLESSIVO CROCIERA | CROISILLON CPT | CONJUNTO CRUCETA | CENTRE CROSS, SPIDER | GELENKKREUZ |
| | 12 | 357.0424 | ANELLO ELASTICO | CIRLIPS | ANILLO ELASTICO | CIRCLIP | SICHERUNGSRING |
| | 13 | 621.0618 | VITE | VIS | TORNILLO | SCREW | SCHRAUBE |
| | 14 | 1.19835.30 | SEMISCATOLA ESTERNA | DEMI-CARTER EXT. | SEMI-CAJA EXT. | OUTER HALF-COVER | GEHAUSE |
| | 15 | 1.19960 | DISCO | DISQUE | DISCO | DISC | SCHIEBE |
| | 16 | 1.19836 | FLANGIA | FLASQUE | BRIDA | FLANGE | FLANSCH |
| | 17 | 1.19835.31 | SEMISCATOLA INTERNA | DEMI-CARTER INT. | SEMI-CAJA INT. | INNER HALF-COVER | GEHAUSE |
| | 18 | 650.106 | DADO | ECROU | TUERCA | NUT | MUTTER |
| | 19 | 1.29579.00 | COMPL. PROTEZIONE ALBERO | PROTECTEUR CPT | CONJ. PROTECCION | GUARD, ASSY | SCHUTZBLECH KPL |
| | 20 | 1.19833.31 | FORCELLA ALBERO INTERNO | FOURCHETTE | HORQUILLA | FORK | GABEL |
| | 21 | 1.19837 | CATENA D'ARRESTO | CHAINE | CADENA | CHAIN | KETTE |
| | 22 | 1.29581 | ALBERO INTERNO | ARBRE | ARBOL | SHAFT | WELLE |
| | 23 | 1.29582.00 | COMPL. FORCELLA CON CAVA | FOURCHE CPT | CONJ. HORQUILLA | FORK, ASSY | GABEL KPL |
| | 24 | 1.19151.00 | COMPL. ALBERO CARDANICO | ARBRE A CARDANS CPT | CONJ. ARBOL CARDAN | CARDANIC SHAFT, ASSY | ZAPFWELLENANTRIEB |

| MODIF. | RIF. | N° ORDIN. | QUANT. | NOTE |
|--------|------|-----------|--------|------|
| | 1 | 621.1246 | 2 | |
| | 2 | 650.112 | 4 | |
| | * 3 | 1.19295 | 2 | |
| | 4 | 355.11230 | 4 | |
| | 5 | 354.112 | 4 | |
| | 6 | 1.19297 | 2 | |
| | 7 | 1.29778 | 1 | |
| | 8 | 354.110 | 4 | |
| | 9 | 650.110 | 4 | |
| | 10 | 611.1242 | 2 | |
| | 11 | 415.037 | 2 | |
| | 12 | 1.33009 | 2 | |
| | •13 | 1.29783 | 1 | |
| | •14 | 354.108 | 2 | |
| | •15 | 650.108 | 2 | |
| | 16 | 1.29782 | 3 | |
| | •17 | 621.0814 | 2 | |
| | •18 | 355.10820 | 2 | |
| | 19 | 1.29818 | 3 | |



- = ESCLUSO C - 480
- = EXCLUDED C - 480
- = EXCLUIDO C - 480
- = EXCLUDED C - 480
- = OHNE C - 480

C 420
C 480

ZAVORRA
MASSE
PESO
WEIGHT
GEWICHT

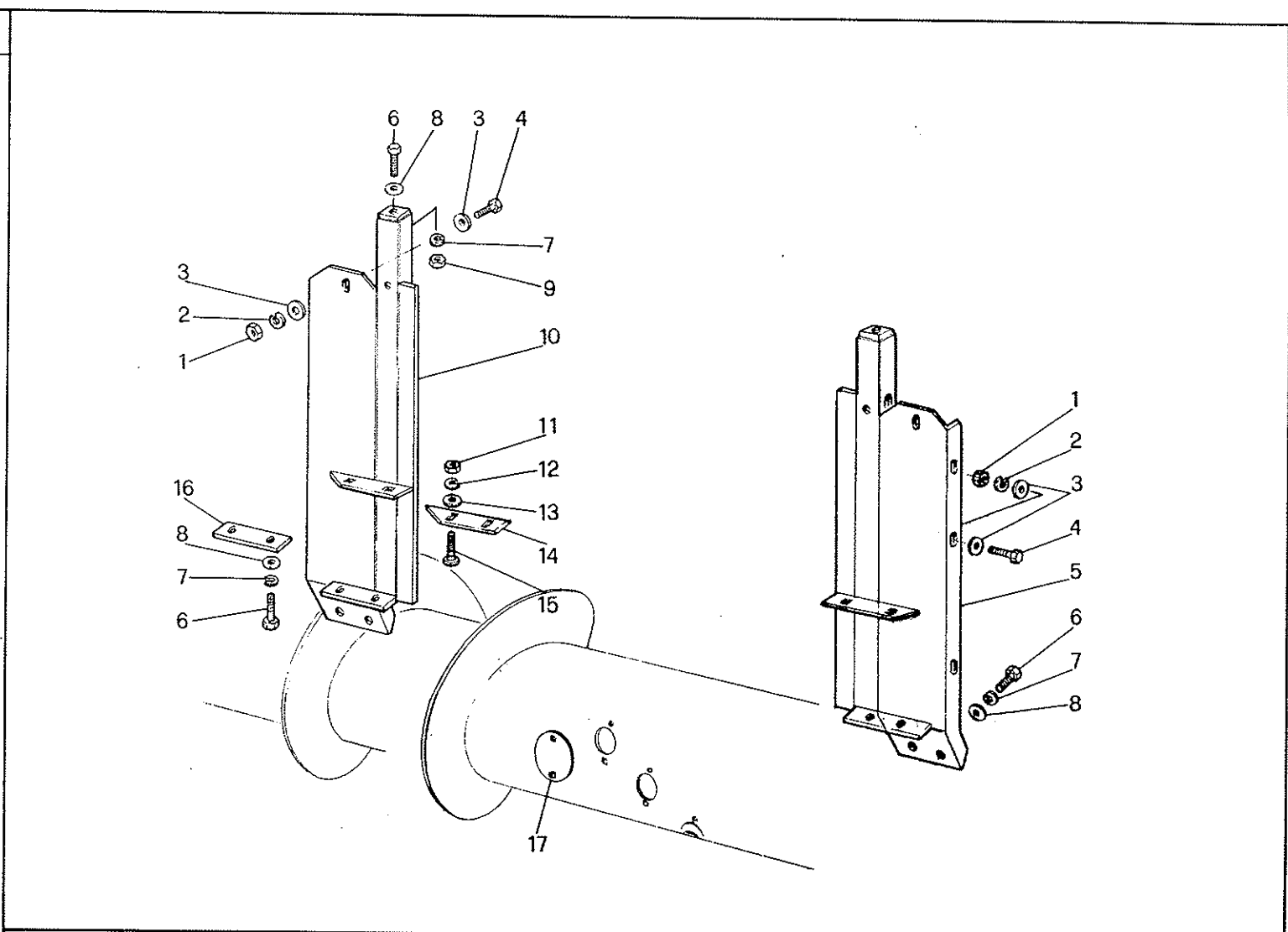
6/1984

Q 20

5F750G29
5F750G31

| MODIF | RIF | N° ORDIN. | DENOMINAZIONE | DESIGNATION | DENOMINACIONES | DESCRIPTION | BENENNUNG |
|-------|-----|-----------|--------------------------|-------------|-------------------|---------------|----------------|
| | 1 | 621.1246 | VITE | VIS | TORNILLO | SCREW | SCHRAUBE |
| | 2 | 650.112 | DADO | ECROU | TUERCA | NUT | MUTTER |
| | 3 | 1.19295 | ZAVORRA | MASSE | PESO | WEIGHT | GEWICHT |
| | 4 | 355.11230 | RONDELLA | RONDELLE | ARANDELA | WASHER | SCHEIBE |
| | 5 | 354.112 | ROSETTA ELASTICA | RONDELLE W | ARANDELA ELASTICA | SPRING WASHER | FEDERSCHEIBE |
| | 6 | 1.19297 | BRIGLIA FISSAGGIO STAFFA | BRIDE | BRIDA | CLAMP | SHELLE |
| | 7 | 1.29778 | STAFFA SUPP. ZAVORRA | SUPPORT | SOPORTE | SUPPORT | HALTERUNG |
| | 8 | 354.110 | ROSETTA ELASTICA | RONDELLE W | ARANDELA ELASTICA | SPRING WASHER | FEDERSCHEIBE |
| | 9 | 650.110 | DADO | ECROU | TUERCA | NUT | MUTTER |
| | 10 | 611.1242 | VITE | VIS | TORNILLO | SCREW | SCHRAUBE |
| | 11 | 415.037 | DISTANZIATORE | ENTRETOISE | ESPACIADOR | SPACER | DISTANZBUCHSE |
| | 12 | 1.33009 | PALA ALIMENTATRICE | PALE | PALA | PADDLE | FOERDERFLUEGEL |
| | 13 | 1.29783 | STAFFA | ETRIER | ABRAZADERA | BRACKET | HALTERRAHMEN |
| | 14 | 354.108 | ROSETTA ELASTICA | RONDELLE W | ARANDELA ELASTICA | SPRING WASHER | FEDERSCHEIBE |
| | 15 | 650.108 | DADO | ECROU | TUERCA | NUT | MUTTER |
| | 16 | 1.29782 | RACCORDO A 90° | RACCORD | RACOR | UNION | ANSCHLUSS |
| | 17 | 621.0814 | VITE | VIS | TORNILLO | SCREW | SCHRAUBE |
| | 18 | 355.10820 | RONDELLA | RONDELLE | ARANDELA | WASHER | SCHEIBE |
| | 19 | 1.29818 | TAPPO | BOUCHON | TAPON | PLUG | VERSCHLUSS |

| MODIF. | RIF. | N° ORDIN. | QUANT. | NOTE |
|--------|------|-----------|--------|------|
| | 1 | 650.110 | 10 | |
| | 2 | 354.110 | 10 | |
| | 3 | 355.11030 | 20 | |
| | 4 | 621.1116 | 10 | |
| | 5 | 1.31650 | 1 | |
| | 6 | 626.1220 | 8 | |
| | 7 | 354.112 | 8 | |
| | 8 | 355.30830 | 8 | |
| | 9 | 650.612 | 2 | |
| | 10 | 1.31651 | 1 | |
| | 11 | 650.108 | 4 | |
| | 12 | 354.108 | 4 | |
| | 13 | 355.00915 | 4 | |
| | 14 | 1.31653 | 2 | |
| | 15 | 342.510 | 4 | |
| | 16 | 1.31953 | 4 | |
| | 17 | 1.31989 | 2 | |



C 480
C 540
C 600
C 660

STAFFE PIATTAFORMA
 ETRIEN DE LA PLATEFORME
 ABRAZADERA DE LA PLATAFORMA
 CUTTER BAR BRACKET
 MAEHTISCHHALTERRAHMEN

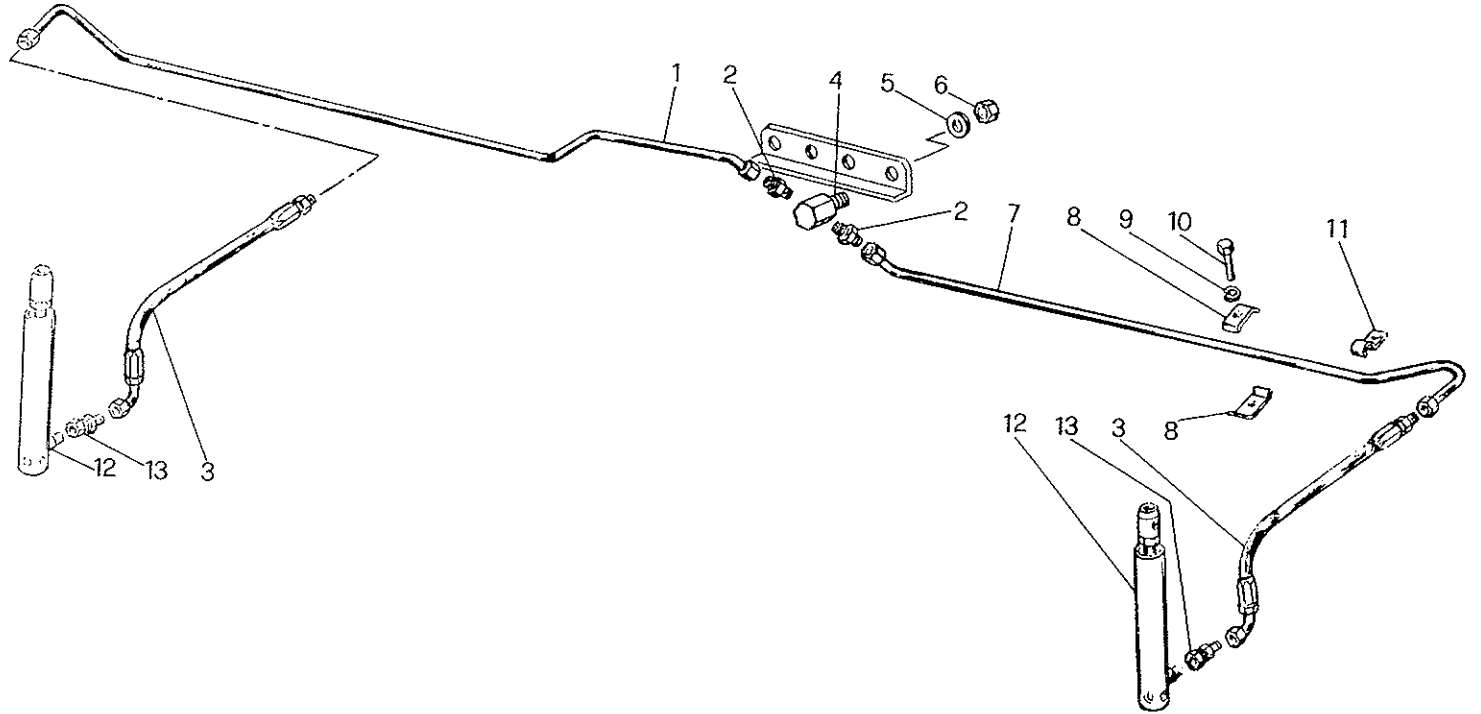
Q.21

5F771S01

2/1983

| MODIF. | RIF. | N° ORDIN. | DENOMINAZIONE | DESIGNATION | DENOMINACIONES | DESCRIPTION | BENENNUNG |
|--------|------|-----------|-----------------------------|------------------|-------------------|-----------------|-----------------|
| | 1 | 650.110 | DADO | ECROU | TUERCA | NUT | MUTTER |
| | 2 | 354.110 | ROSETTA ELASTICA | RONDELLE W | ARANDELA ELASTICA | SPRING WASHER | FEDERSCHEIBE |
| | 3 | 355.11030 | RONDELLA | RONDELLE | ARANDELA | WASHER | SCHEIBE |
| | 4 | 621.1116 | VITE | VIS | TORNILLO | SCREW | SCHRAUBE |
| | 5 | 1.31650 | STAFFA S. CHIUSURA IMBOCCO | ETRIER | ABRAZADERA | BRACKET | HALTERRAHMEN |
| | 6 | 626.1220 | VITE | VIS | TORNILLO | SCREW | SCHRAUBE |
| | 7 | 354.112 | ROSETTA ELASTICA | RONDELLE W | ARANDELA ELASTICA | SPRING WASHER | FEDERSCHEIBE |
| | 8 | 355.30830 | RONDELLA | RONDELLE | ARANDELA | WASHER | SCHEIBE |
| | 9 | 650.612 | DADO | ECROU | TUERCA | NUT | MUTTER |
| | 10 | 1.31651 | STAFFA D. CHIUSURA IMBOCCO | ETRIER | ABRAZADERA | BRACKET | HALTERRAHMEN |
| | 11 | 650.108 | DADO | ECROU | TUERCA | NUT | MUTTER |
| | 12 | 354.108 | ROSETTA ELASTICA | RONDELLE W | ARANDELA ELASTICA | SPRING WASHER | FEDERSCHEIBE |
| | 13 | 355.00915 | RONDELLA | RONDELLE | ARANDELA | WASHER | SCHEIBE |
| | 14 | 1.31653 | RASAMENTO INTERNO COCLEA | LAME D'ARASEMENT | CHAPA DE ROCE | ANTI-WRAP PLATE | REIBPLATTE |
| | 15 | 342.510 | VITE SPECIALE | VIS SPECIAL | TORNILLO ESPECIAL | SPECIAL SCREW | SPEZIALSCHRAUBE |
| | 16 | 1.31953 | SPESSORE DI AGGIUSTAGGIO | CALE D'EPAISSEUR | ESPEJOR | SHIM | DISTANZSTUECK |
| | 17 | 1.31989 | CHIUSURA FORI SUPPORTO DITI | COUVERCLE | CIERRE | COVER | VERSCHLUSS |

| MODIF. | RIF. | N° ORDIN. | QUANT. | NOTE |
|--------|------|------------|--------|------|
| | 1 | 1.25788 | 1 | |
| | 2 | 1.17917 | 2 | |
| | 3 | 1.34322 | 2 | |
| | 4 | 1.17918 | 1 | |
| | 5 | 355.61630 | 1 | |
| C 0725 | 6 | 1.14626 | 1 | |
| D 0725 | 6 | 1.35769 | 1 | |
| | 7 | 1.25789 | 1 | |
| | 8 | 1.3784.30 | 4 | |
| | 9 | 354.106 | 2 | |
| | 10 | 621.0616 | 2 | |
| | 11 | 1.10828 | 1 | |
| | 12 | 1.31520.00 | 2 | |
| | 13 | 1.32767 | 2 | |

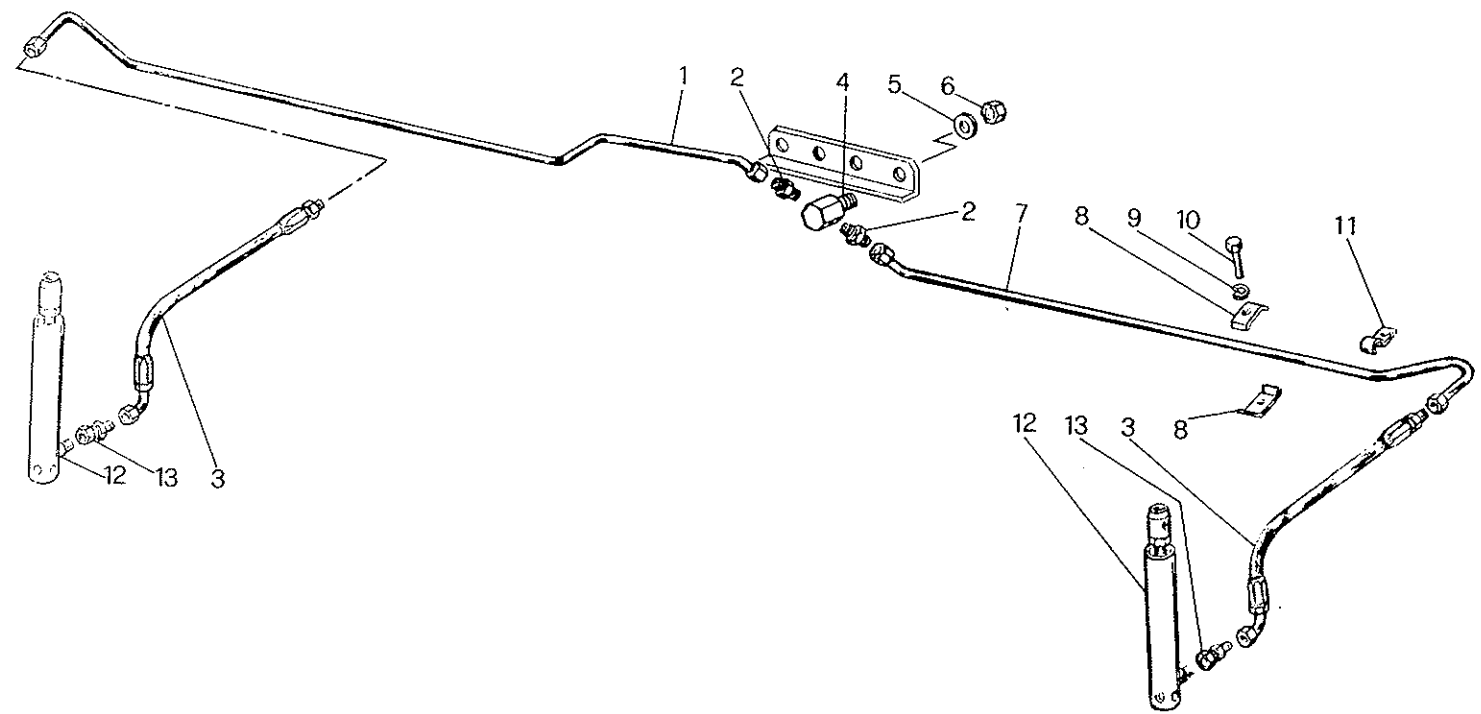


D 0725 tel.n°5F223663 → ~~1.14626~~ = 1.35769

| | | |
|--------------|-------------------------------------------------------------------------------------------------------------------------------------------------------------------|---------------|
| C 310 | TUBAZIONI SOLLEVAMENTO ASPO TUYAUTERIES RELEVAGE ET RABATTEUR CANERIAS LEVANTAMIENTO Y MOLINETE TUBING FOR LIFT ANDREEL LEITUNGEN FUER HUB-UND HASPEL | Q 22 A |
| | 6/1984 | 5F750A04 |

| MODIF. | RIF. | N° ORDIN. | DENOMINAZIONE | DESIGNATION | DENOMINACIONES | DESCRIPTION | BENENNUNG |
|--------|------|------------|-------------------------------------|-----------------|-------------------|---------------|------------------|
| | 1 | 1.25788 | TUBO D. MARTINETTO SOLLEVAMENTO | TUBE | TUBO | PIPE | ROHR |
| | 2 | 1.17917 | RACCORDO | RACCORD | RACOR | UNION | ANSCHLUSS |
| | 3 | 1.34322 | TUBO FLESSIBILE | FLEXIBLE | FLEXIBLE | HOSE | SCHLAUCH |
| | 4 | 1.17918 | RACCORDO CENTRALE | RACCORD CENTRAL | RACOR CENTRAL | CENTRAL UNION | ZENTRALANSCHLUSS |
| | 5 | 355.61630 | RONDELLA | RONDELLE | ARANDELA | WASHER | SCHEIBE |
| C 0725 | 6 | 1.14626 | TAPPO | BOUCHON | TAPON | PLUG | VERSCHLUSS. |
| D 0725 | 6 | 1.35769 | TAPPO | BOUCHON | TAPON | PLUG | VERSCHLUSS |
| | 7 | 1.25789 | TUBO S. MARTINETTO SOLLEVAMENTO | TUBE | TUBO | PIPE | ROHR |
| | 8 | 1.3784.30 | FASCETTA | COLLIER | COLLAR | CLAMP | SHELLE |
| | 9 | 354.106 | ROSETTA ELASTICA | RONDELLE W | ARANDELA ELASTICA | SPRING WASHER | FEDERSCHEIBE |
| | 10 | 621.0616 | VITE | VIS | TORNILLO | SCREW | SCHRAUBE |
| | 11 | 1.10828 | FASCETTA | COLLIER | COLLAR | CLAMP | SHELLE |
| | 12 | 1.31520.00 | COMPL. MARTINETTO SOLLEVAMENTO ASPO | VERIN CPT | CONJ. MARTINETE | RAM, ASSY | ZYLINDER KPL |
| | 13 | 1.32767 | RACCORDO DI RIDUZIONE | RACCORD | RACOR | UNION | ANSCHLUSS |

| MODIF. | RIF. | N° ORDIN. | QUANT. | NOTE |
|--------|------|---------------|--------|------|
| | | 1 1.31973 | 1 | |
| | | 2 1.17917 | 2 | |
| | | 3 1.34322 | 2 | |
| | | 4 1.17918 | 1 | |
| | | 5 355.61630 | 1 | |
| C 0725 | | 6 1.14626 | 1 | |
| D 0725 | | 6 1.35769 | 1 | |
| | | 7 1.31974 | 1 | |
| | | 8 1.3784.30 | 4 | |
| | | 9 354.106 | 2 | |
| | | 10 621.0616 | 2 | |
| | | 11 1.10828 | 1 | |
| | | 12 1.31520.00 | 2 | |
| | | 13 1.32767 | 2 | |

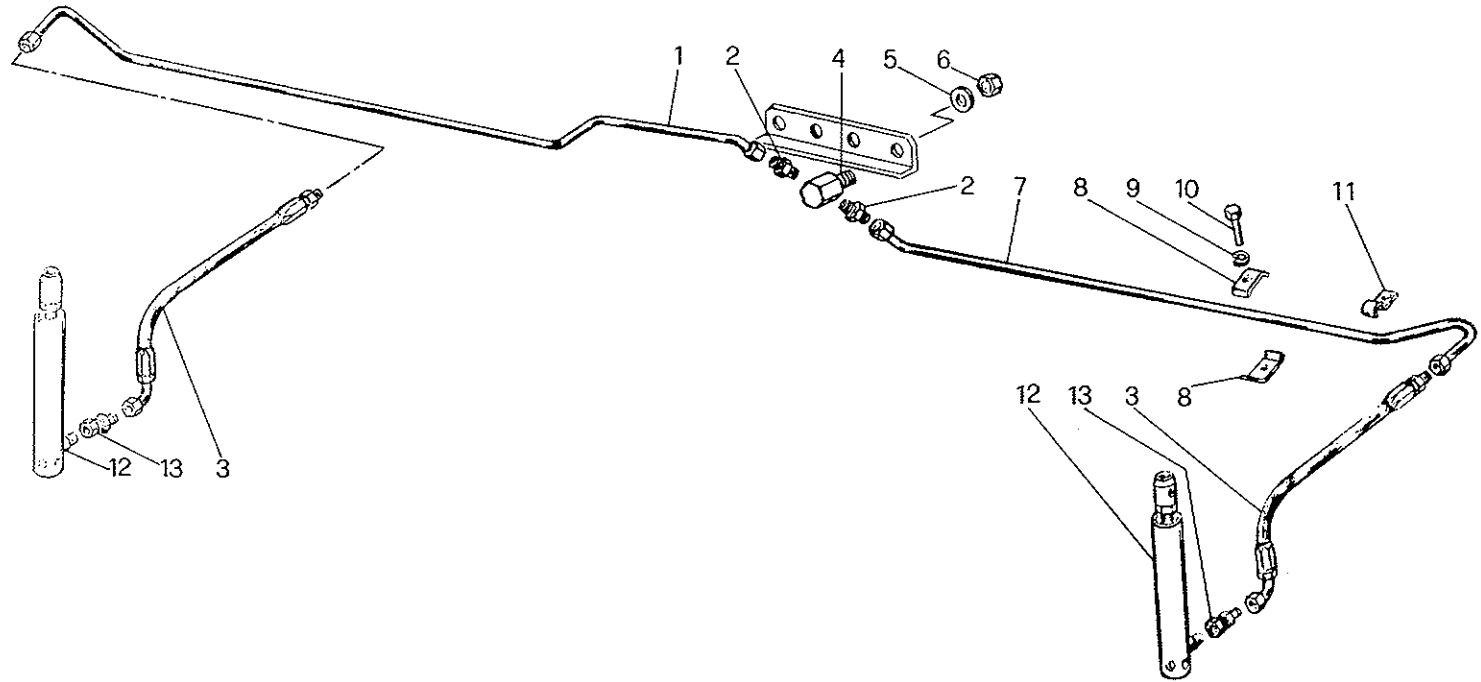


D 0725 tel.n°5F233440 → 1.14626 = 1.35769

| | | |
|--------------|-------------------------------------------------------------------------------------------------------------------------------------------------------------------|---------------|
| C 360 | TUBAZIONI SOLLEVAMENTO ASPO TUYAUTERIES RELEVAGE ET RABATTEUR CANERIAS LEVANTAMIENTO Y MOLINETE TUBING FOR LIFT ANDREEL LEITUNGEN FUER HUB-UND HASPEL | Q 22 B |
| | 6/1984 | 5F750A06 |

| MODIF. | RIF. | N° ORDIN. | DENOMINAZIONE | DESIGNATION | DENOMINACIONES | DESCRIPTION | BENENNUNG |
|--------|------|------------|-------------------------------------|-----------------|-------------------|---------------|------------------|
| | 1 | 1.31973 | TUBO D. MARTINETTO SOLLEVAMENTO | TUBE | TUBO | PIPE | ROHR |
| | 2 | 1.17917 | RACCORDO | RACCORD | RACOR | UNION | ANSCHLUSS |
| | 3 | 1.34322 | TUBO FLESSIBILE | FLEXIBLE | FLEXIBLE | HOSE | SCHLAUCH |
| | 4 | 1.17918 | RACCORDO CENTRALE | RACCORD CENTRAL | RACOR CENTRAL | CENTRAL UNION | ZENTRALANSCHLUSS |
| | 5 | 355.61630 | RONDELLA | RONDELLE | ARANDELA | WASHER | SCHEIBE |
| C 0725 | 6 | 1.14626 | TAPPO | BOUCHON | TAPON | PLUG | VERSCHLUSS |
| D 0725 | 6 | 1.35769 | TAPPO | BOUCHON | TAPON | PLUG | VERSCHLUSS |
| | 7 | 1.31974 | TUBO S. MARTINETTO SOLLEVAMENTO | TUBE | TUBO | PIPE | ROHR |
| | 8 | 1.3784.30 | FASCETTA | COLLIER | COLLAR | CLAMP | SCHIEDLE |
| | 9 | 354.106 | ROSETTA ELASTICA | RONDELLE W | ARANDELA ELASTICA | SPRING WASHER | FEDERSCHEIBE |
| | 10 | 621.0616 | VITE | VIS | TORNILLO | SCREW | SCHRAUBE |
| | 11 | 1.10828 | FASCETTA | COLLIER | COLLAR | CLAMP | SHELLE |
| | 12 | 1.31520.00 | COMPL. MARTINETTO SOLLEVAMENTO ASPO | VERIN CPT | CONJ. MARTINETE | RAM, ASSY | ZYLINDER KPL |
| | 13 | 1.32767 | RACCORDO DI RIDUZIONE | RACCORD | RACOR | UNION | ANSCHLUSS |

| MODIF. | RIF. | N° ORDIN. | QUANT. | NOTE |
|--------|------|------------|--------|------|
| | 1 | 1.31968 | 1 | |
| | 2 | 1.17917 | 2 | |
| | 3 | 1.34322 | 2 | |
| | 4 | 1.17918 | 1 | |
| | 5 | 355.61630 | 2 | |
| C 0725 | 6 | 1.14626 | 1 | |
| D 0725 | 6 | 1.35769 | 1 | |
| | 7 | 1.31969 | 1 | |
| | 8 | 1.3784.30 | 4 | |
| | 9 | 354.106 | 2 | |
| | 10 | 621.0616 | 2 | |
| | 11 | 1.10828 | 1 | |
| | 12 | 1.31520.00 | 2 | |
| | 13 | 1.32767 | 2 | |



D 0725 tel.n°5F243490 → ~~1.14626~~ = 1.35769

C 420

TUBAZIONI SOLLEVAMENTO ASPO
 TUYAUTERIES RELEVAGE ET RABATTEUR
 CANERIAS LEVANTAMIENTO Y MOLINETE
 TUBING FOR LIFT ANDREEL
 LEITUNGEN FUER HUB-UND HASPEL

Q 22 D

5F750A10

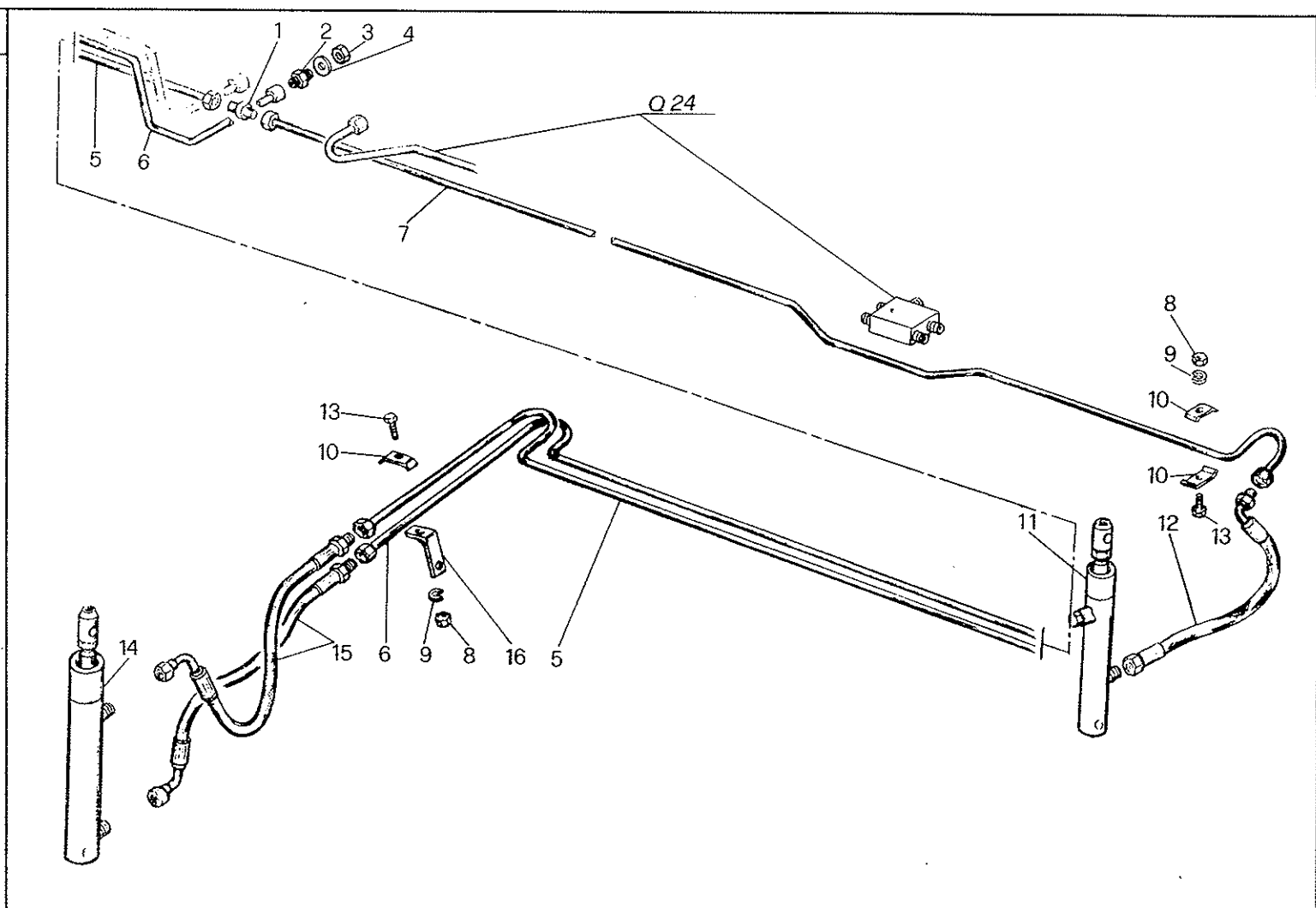
6/1984

Q 22 D

LAVERDA

| MODIF. | RIF. | N° ORDIN. | DENOMINAZIONE | DESIGNATION | DENOMINACIONES | DESCRIPTION | BENENNUNG |
|--------|------|------------|-------------------------------------|-----------------|-------------------|---------------|------------------|
| | 1 | 1.31968 | TUBO D. MARTINETTO SOLLEVAMENTO | TUBE | TUBO | PIPE | ROHR |
| | 2 | 1.17917 | RACCORDO | RACCORD | RACOR | UNION | ANSCHLUSS |
| | 3 | 1.34322 | TUBO FLESSIBILE | FLEXIBLE | FLEXIBLE | HOSE | SCHLAUCH |
| | 4 | 1.17918 | RACCORDO CENTRALE | RACCORD CENTRAL | RACOR CENTRAL | CENTRAL UNION | ZENTRALANSCHLUSS |
| | 5 | 355.61630 | RONDELLA | RONDELLE | ARANDELA | WASHER | SCHLEIBE |
| C 0725 | 6 | 1.14626 | TAPPO | BOUCHON | TAPON | PLUG | VERSCHLUSS |
| D 0725 | 6 | 1.35769 | TAPPO | BOUCHON | TAPON | PLUG | VERSCHLUSS |
| | 7 | 1.31969 | TUBO S. MARTINETTO SOLLEVAMENTO | TUBE | TUBO | PIPE | ROHR |
| | 8 | 1.3784.30 | FASCETTA | COLLIER | COLLAR | CLAMP | SHELLE |
| | 9 | 354.106 | RCSETTA ELASTICA | RONDELLE W | ARANDELA ELASTICA | SPRING WASHER | FEDERSCHLEIBE |
| | 10 | 621.0616 | VITE | VIS | TORNILLO | SCREW | SCHRAUBE |
| | 11 | 1.10828 | FASCETTA | COLLIER | COLLAR | CLAMP | SHELLE |
| | 12 | 1.31520.00 | COMPL. MARTINETTO SOLLEVAMENTO ASPO | VERIN CPT | CONJ. MARTINETE | RAM, ASSY | ZYLINDER KPL |
| | 13 | 1.32767 | RACCORDO DI RIDUZIONE | RACCORD | RACOR | UNION | ANSCHLUSS |

| MODIF. | RIF. | N° ORDIN. | QUANT. | NOTE |
|--------|------|-----------|--------|------|
| | | 1 | 1 | |
| | | 2 | 1 | |
| C 0725 | | 3 | 1 | |
| D 0725 | | 3 | 1 | |
| | | 4 | 1 | |
| | | 5 | 1 | |
| | | 6 | 1 | |
| | | 7 | 1 | |
| | | 8 | 2 | |
| | | 9 | 2 | |
| | | 10 | 3 | |
| | | 11 | 1 | |
| | | 12 | 1 | |
| | | 13 | 2 | |
| | | 14 | 1 | |
| | | 15 | 2 | |
| | | 16 | 1 | |

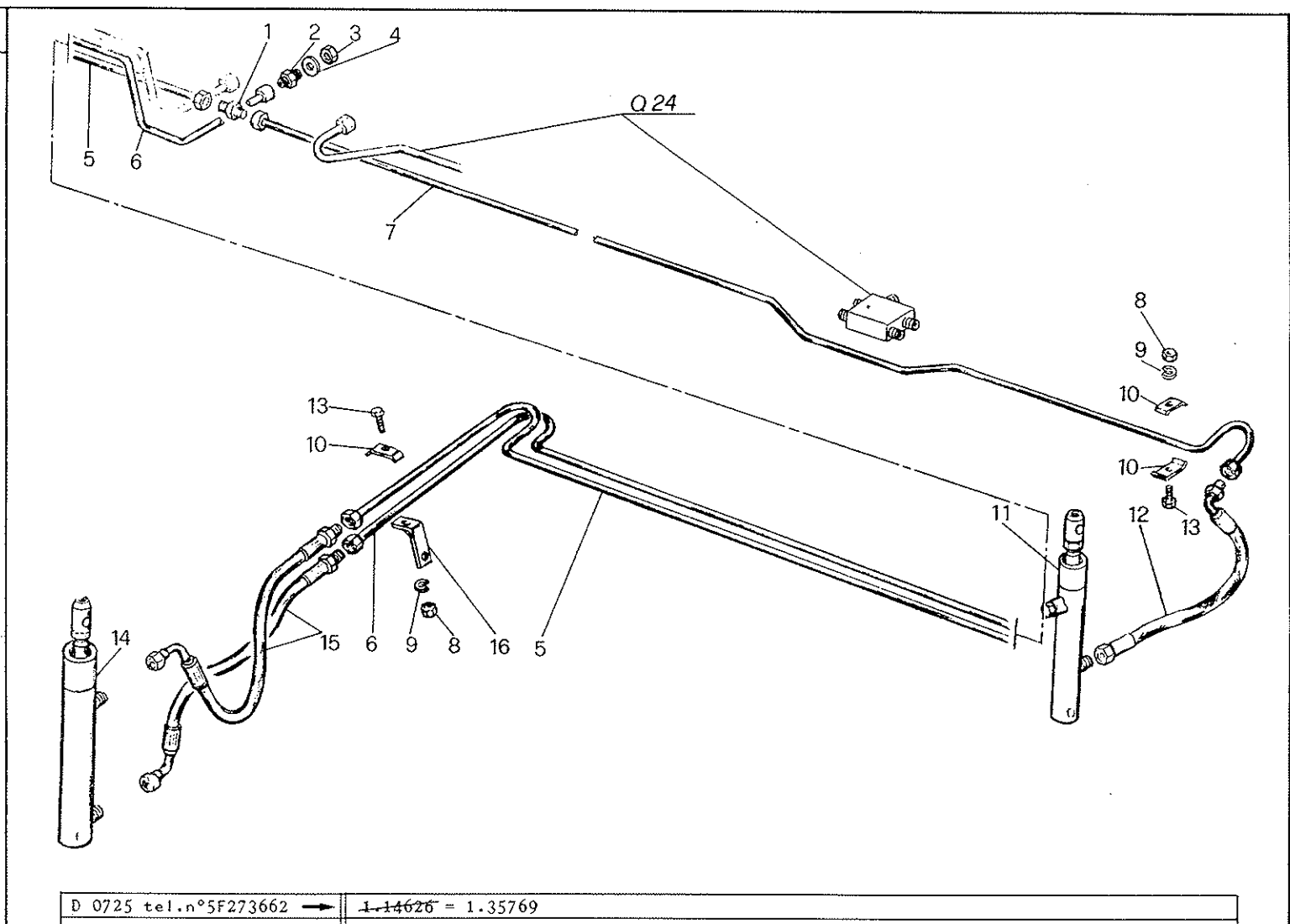


D 0725 tel.n°5F253505 → ~~1-14626~~ = 1.35769

| | | |
|--------------|-------------------------------------------------------------------------------------------------------------------------------------------------------------------|---------------|
| C 480 | TUBAZIONI SOLLEVAMENTO ASPO TUYAUTERIES RELEVAGE ET RABATTEUR CANERIAS LEVANTAMIENTO Y MOLINETE TUBING FOR LIFT ANDREEL LEITUNGEN FUER HUB-UND HASPEL | Q 22 E |
| | 6/1984 | 5F750A12 |

| MODIF. | RIF. | N° ORDIN. | DENOMINAZIONE | DESIGNATION | DENOMINACIONES | DESCRIPTION | BENENNUNG |
|------------------|---------|---------------------------|----------------------------------|---------------|-------------------|---------------|--------------|
| C 0725 D 0725 | 1 | 1.16938 | RACCORDO DI GIUNZ.PER TUBO Ø 8 | RACCORD | RACOR | UNION | ANSCHLUSS |
| | 2 | 1.34458 | RACCORDO PER INNESTO RAPIDO | RACCORD | RACOR | UNION | ANSCHLUSS |
| | 3 | 1.14626 | TAPPO | BOUCHON | TAPON | PLUG | VERSCHLUSS |
| | 3 | 1.35769 | TAPPO | BOUCHON | TAPON | PLUG | VERSCHLUSS |
| | 4 | 355.61630 | RONDELLA | RONDELLE | ARANDELA | WASHER | SCHEIBE |
| | 5 | 1.34432 | 2° TUBO SOLLEVAMENTO ASPO | TUBE | TUBO | PIPE | ROHR |
| | 6 | 1.34431 | 1° TUBO SOLLEVAMENTO ASPO | TUBE | TUBO | PIPE | ROHR |
| | 7 | 1.34433 | 3° TUBO SOLLEVAMENTO ASPO | TUBE | TUBO | PIPE | ROHR |
| | 8 | 650.106 | DADO | ECROU | TUERCA | NUT | MUTTER |
| | 9 | 354.106 | ROSETTA ELASTICA | RONDELLE W | ARANDELA ELASTICA | SPRING WASHER | FEDERSCHEIBE |
| | 10 | 1.3784.30 | BRIGLIA | BRIDE | BRIDA | CLAMP | SHELLE |
| | 11 | 1.28962.00 | COMPL. MARTINETTO SOLLEVAM. ASPO | VERIN CPT | CONJ. MARTINETE | RAM, ASSY | ZYLINDER KPL |
| | 12 | 1.34322 | TUBO FLESSIBILE | TUBE FLEXIBLE | TUBO FLEXIBLE | HOSE | SCHLAUCH |
| | 13 | 621.0616 | VITE | VIS | TORNILLO | SCREW | SCHRAUBE |
| | 14 | 1.35549.00 | COMPL. MARTINETTO SOLLEVAM. ASPO | VERIN CPT | CONJ. MARTINETE | RAM, ASSY | ZYLINDER KPL |
| | 15 | 1.34425 | TUBO FLESSIBILE | TUBE FLEXIBLE | TUBO FLEXIBLE | HOSE | SCHLAUCH |
| 16 | 1.34451 | SQUADRETTA FISSAGGIO TUBI | EQUERRE | ESQUADRA | SQUARE | HALTERUNG | |

| MODIF. | RIF. | N° ORDIN. | QUANT. | NOTE |
|--------|------|------------|--------|------|
| | 1 | 1.16938 | 1 | |
| | 2 | 1.34458 | 1 | |
| C 0725 | 3 | 1.14626 | 1 | |
| D 0725 | 3 | 1.35769 | 1 | |
| | 4 | 355.61630 | 1 | |
| | 5 | 1.34440 | 1 | |
| | 6 | 1.34439 | 1 | |
| | 7 | 1.34441 | 1 | |
| | 8 | 650.106 | 2 | |
| | 9 | 354.106 | 2 | |
| | 10 | 1.3784.30 | 3 | |
| | 11 | 1.28962.00 | 1 | |
| | 12 | 1.34322 | 1 | |
| | 13 | 621.0616 | 2 | |
| | 14 | 1.35549.00 | 1 | |
| | 15 | 1.34425 | 2 | |
| | 16 | 1.34451 | 1 | |

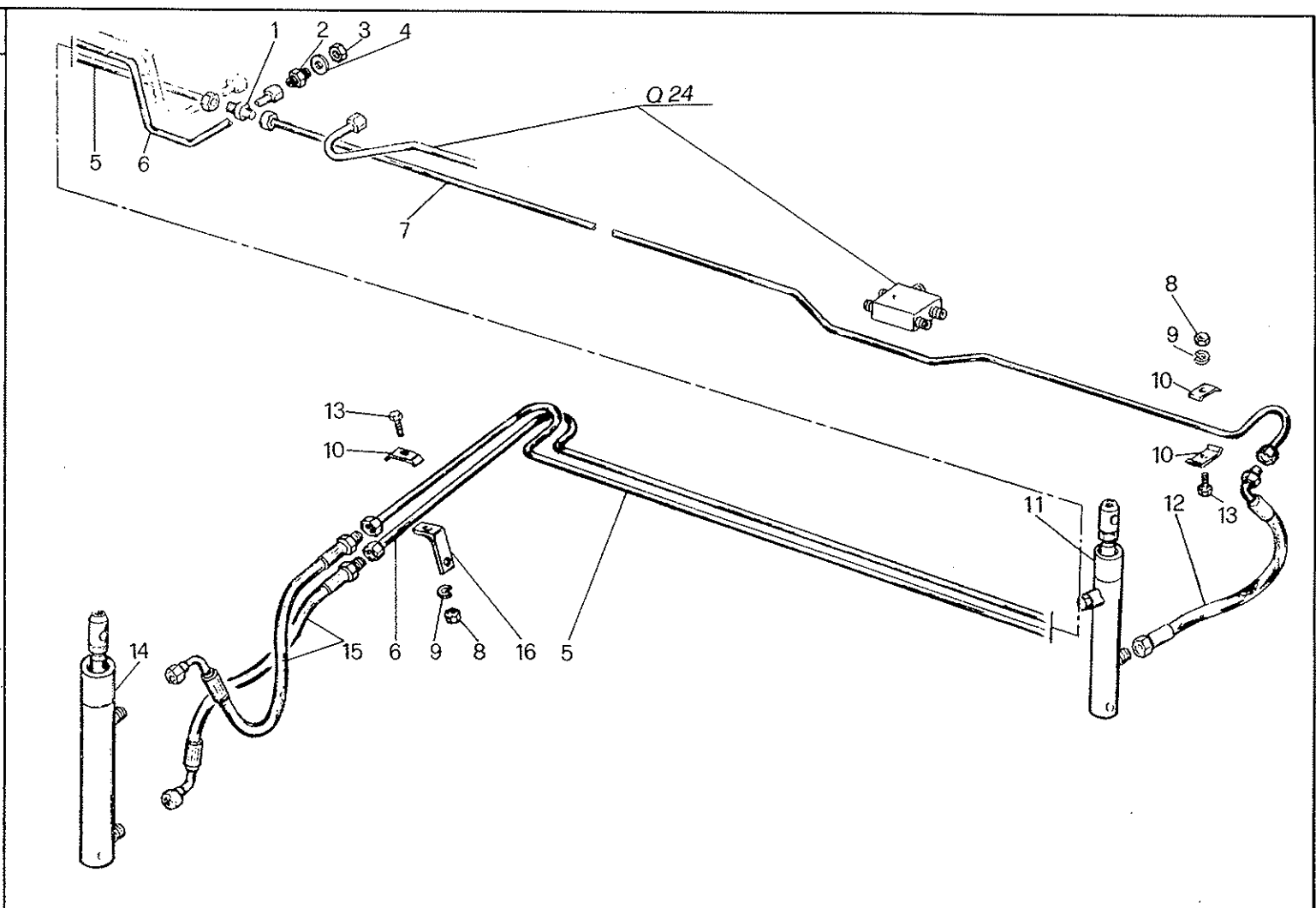


D 0725 tel.n°5F273662 → 1.14626 = 1.35769

| | | |
|--------------|-------------------------------------------------------------------------------------------------------------------------------------------------------------------|---------------|
| C 540 | TUBAZIONI SOLLEVAMENTO ASPO TUYAUTERIES RELEVAGE ET RABATTEUR CANERIAS LEVANTAMIENTO Y MOLINETE TUBING FOR LIFT ANDREEL LEITUNGEN FUER HUB-UND HASPEL | Q 22 F |
| | 6/1984 | 5F750A14 |

| MODIF. | RIF. | N° ORDIN. | DENOMINAZIONE | DESIGNATION | DENOMINACIONES | DESCRIPTION | BENENNUNG | |
|--------|------|-----------|---------------|-------------------------------------|----------------|-------------------|---------------|---------------|
| | | 1 | 1.16938 | RACCORDO DI GIUNZ. PER TUBO Ø 8 | RACCORD | RACOR | UNION | ANSCHLUSS |
| | | 2 | 1.34458 | RACCORDO PER INNESTO RAPIDO | RACCORD | RACOR | UNION | ANSCHLUSS |
| C 0725 | | 3 | 1.14626 | TAPPO | BOUCHON | TAPON | PLUG | VERSCHLUSS |
| D 0725 | | 3 | 1.35769 | TAPPO | BOUCHON | TAPON | PLUG | VERSCHLUSS |
| | | 4 | 355.61630 | RONDELLA | RONDELLE | ARANDELA | WASHER | SCHLEIBE |
| | | 5 | 1.34440 | 2° TUBO SOLLEVAMENTO ASPO | TUBE | TUBO | PIPE | ROHR |
| | | 6 | 1.34439 | 1° TUBO SOLLEVAMENTO ASPO | TUBE | TUBO | PIPE | ROHR |
| | | 7 | 1.34441 | 3° TUBO SOLLEVAMENTO ASPO | TUBE | TUBO | PIPE | ROHR |
| | | 8 | 650.106 | DADO | ECROU | TUERCA | NUT | MUTTER |
| | | 9 | 354.106 | ROSETTA ELASTICA | RONDELLE W | ARANDELA ELASTICA | SPRING WASHER | FEDERSCHLEIBE |
| | | 10 | 1.3784.30 | BRIGLIA | BRIDE | BRIDA | CLAMP | SCHELLE |
| | | 11 | 1.28962.00 | COMPL. MARTINETTO S. SOLLEVAM. ASPO | VERIN CPT | CONJ. MARTINETE | RAM, ASSY | ZYLINDER KPL |
| | | 12 | 1.34322 | TUBO FLESSIBILE | TUBE FLEXIBLE | TUBO FLEXIBLE | HOSE | SCHLAUCH |
| | | 13 | 621.0616 | VITE | VIS | TORNILLO | SCREW | SCHRAUBE |
| | | 14 | 1.35549.00 | COMPL. MARTINETTO SOLLEVAM. ASPO | VERIN CPT | CONJ. MARTINETE | RAM, ASSY | ZYLINDER KPL |
| | | 15 | 1.34425 | TUBO FLESSIBILE | TUBE FLEXIBLE | TUBO FLEXIBLE | HOSE | SCHLAUCH |
| | | 16 | 1.34451 | SQUADRETTA FISSAGGIO TUBI | EQUERRE | ESQUADRA | SQUARE | HALTERUNG |

| MODIF. | RIF. | N° ORDIN. | QUANT. | NOTE |
|--------|------|-----------|--------|------|
| | | 1 | 1 | |
| | | 2 | 1 | |
| C 0725 | | 3 | 1 | |
| D 0725 | | 3 | 1 | |
| | | 4 | 2 | |
| | | 5 | 1 | |
| | | 6 | 1 | |
| | | 7 | 1 | |
| | | 8 | 2 | |
| | | 9 | 2 | |
| | | 10 | 3 | |
| | | 11 | 1 | |
| | | 12 | 1 | |
| | | 13 | 2 | |
| | | 14 | 1 | |
| | | 15 | 2 | |
| | | 16 | 1 | |

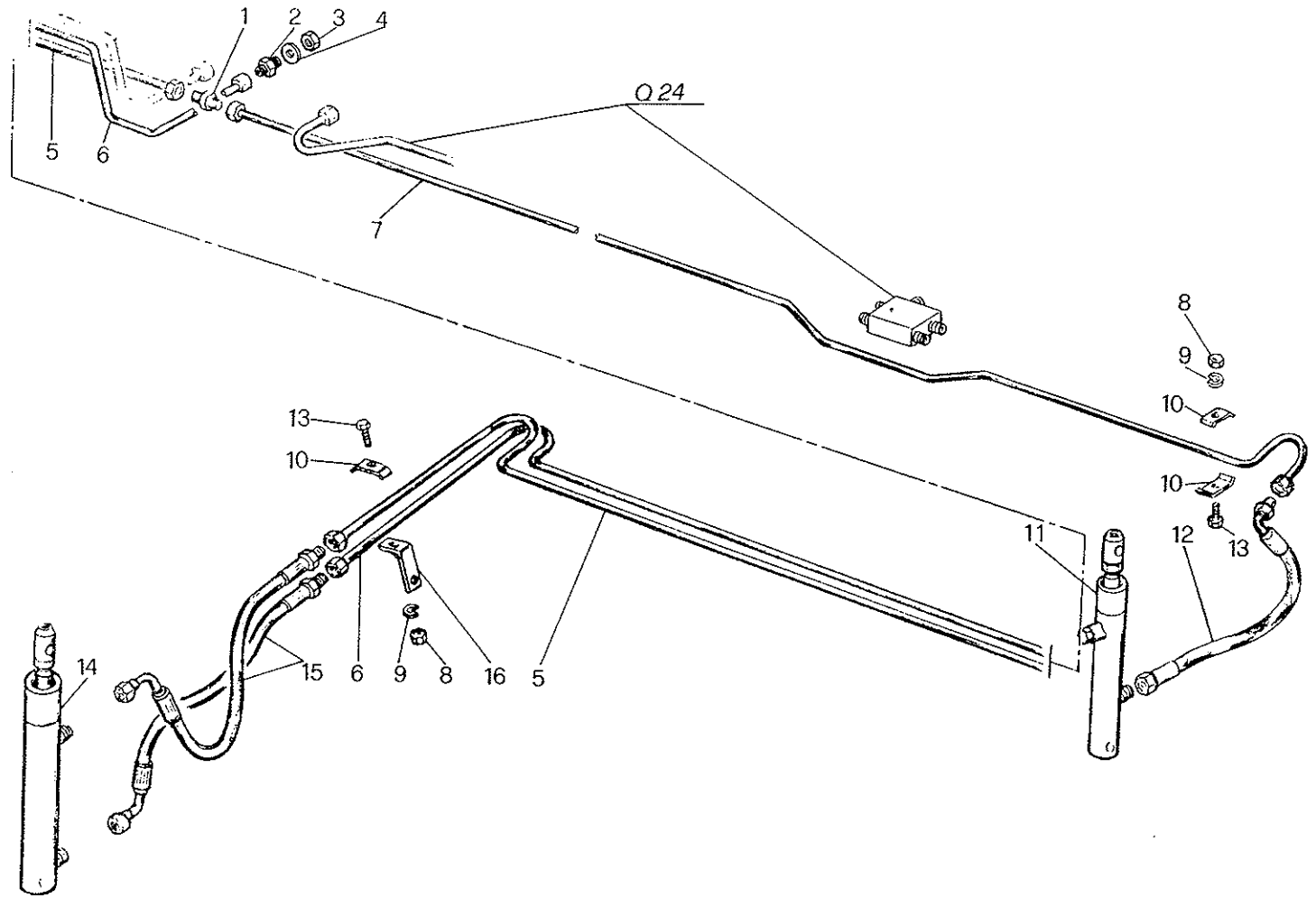


D 0725 tel.n°5F283665 → 1-14626 = 1.35769

| | | |
|--------------|-------------------------------------------------------------------------------------------------------------------------------------------------------------------|---------------|
| C 600 | TUBAZIONI SOLLEVAMENTO ASPO TUYAUTERIES RELEVAGE ET RABATTEUR CANERIAS LEVANTAMIENTO Y MOLINETE TUBING FOR LIFT ANDREEL LEITUNGEN FUER HUB-UND HASPEL | Q 22 G |
| | 6/1984 | 5F750A16 |

| MODIF. | RIF. | N° ORDIN. | DENOMINAZIONE | DESIGNATION | DENOMINACIONES | DESCRIPTION | BENENNUNG |
|--------|------|------------|-------------------------------------|---------------|-------------------|---------------|--------------|
| | 1 | 1.16938 | RACCORDO DI GIUNZ. PER TUBO Ø 8 | RACCORD | RACOR | UNION | ANSCHLUSS |
| | 2 | 1.34458 | RACCORDO PER INNESTO RAPIDO | RACCORD | RACOR | UNION | ANSCHLUSS |
| C 0725 | 3 | 1.14626 | TAPPO | BOUCHON | TAPON | PLUG | VERSCHLUSS |
| D 0725 | 3 | 1.35769 | TAPPO | BOUCHON | TAPON | PLUG | VERSCHLUSS |
| | 4 | 355.61630 | RONDELLA | RONDELLE | ARANDELA | WASHER | SCHEIBE |
| | 5 | 1.34448 | 2° TUBO SOLLEVAMENTO ASPO | TUBE | TUBO | PIPE | ROHR |
| | 6 | 1.34447 | 1° TUBO SOLLEVAMENTO ASPO | TUBE | TUBO | PIPE | ROHR |
| | 7 | 1.34441 | 3° TUBO SOLLEVAMENTO ASPO | TUBE | TUBO | PIPE | ROHR |
| | 8 | 650.106 | DADO | ECROU | TUERCA | NUT | MUTTER |
| | 9 | 354.106 | ROSETTA ELASTICA | RONDELLE W | ARANDELA ELASTICA | SPRING WASHER | FEDERSCHEIBE |
| | 10 | 1.3784.30 | BRIGLIA | BRIDE | BRIDA | CLAMP | SCHELLE |
| | 11 | 1.28962.00 | COMPL. MARTINETTO S. SOLLEVAM. ASPO | VERIN CPT | CONJ. MARTINETE | RAM, ASSY | ZYLINDER KPL |
| | 12 | 1.34322 | TUBO FLESSIBILE | TUBE FLEXIBLE | TUBO FLEXIBLE | HOSE | SCHLAUCH |
| | 13 | 621.0616 | VITE | VIS | TORNILLO | SCREW | SCHRAUBE |
| | 14 | 1.35549.00 | COMPL. MARTINETTO SOLLEVAM. ASPO | VERIN CPT | CONJ. MARTINETE | RAM, ASSY | ZYLINDER KPL |
| | 15 | 1.34425 | TUBO FLESSIBILE | TUBE FLEXIBLE | TUBO FLEXIBLE | HOSE | SCHLAUCH |
| | 16 | 1.34451 | SQUADRETTA FISSAGGIO TUBI | EQUERRE | ESQUADRA | SQUARE | HALTERUNG |

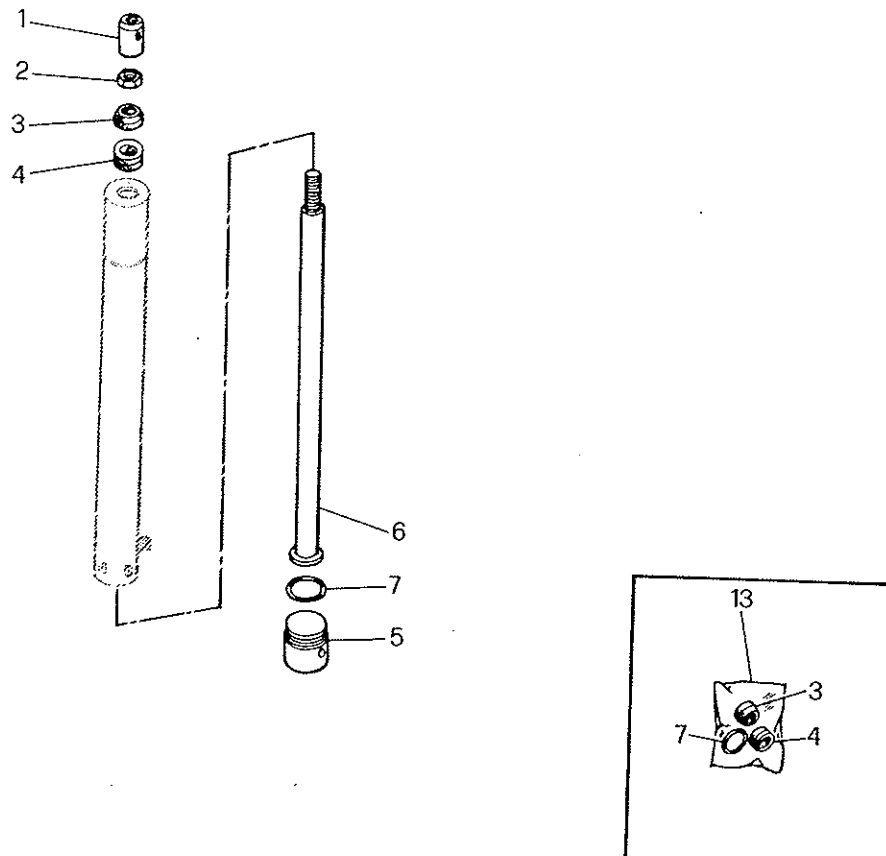
| MODIF. | RIF. | N° ORDIN. | QUANT. | NOTE |
|--------|------|------------|--------|------|
| | 1 | 1.16938 | 1 | |
| | 2 | 1.34458 | 1 | |
| C 0725 | 3 | 1.14626 | 1 | |
| D 0725 | 3 | 1.35769 | 1 | |
| | 4 | 355.61630 | 1 | |
| | 5 | 1.35682 | 1 | |
| | 6 | 1.35681 | 1 | |
| | 7 | 1.35683 | 1 | |
| | 8 | 650.106 | 2 | |
| | 9 | 354.106 | 2 | |
| | 10 | 1.3784.30 | 3 | |
| | 11 | 1.28962.00 | 1 | |
| | 12 | 1.34322 | 1 | |
| | 13 | 621.0616 | 2 | |
| | 14 | 1.35549.00 | 1 | |
| | 15 | 1.34425 | 2 | |
| | 16 | 1.34451 | 1 | |



D 0725 tel.n°5F293670 → 1.14626 = 1.35769

| | | |
|--------------|-------------------------------------------------------------------------------------------------------------------------------------------------------------------|---------------|
| C 660 | TUBAZIONI SOLLEVAMENTO ASPO TUYAUTERIES RELEVAGE ET RABATTEUR CANERIAS LEVANTAMIENTO Y MOLINETE TUBING FOR LIFT ANDREEL LEITUNGEN FUER HUB-UND HASPEL | Q 22 H |
| | 6/1984 | 5F750A18 |

| MODIF. | RIF. | N° ORDIN. | DENOMINAZIONE | DESIGNATION | DENOMINACIONES | DESCRIPTION | BENENNUNG |
|------------------|---------|---------------------------|-------------------------------------|---------------|-------------------|---------------|---------------|
| C 0725 D 0725 | 1 | 1.16938 | RACCORDO DI GIUNZ. PER TUBO Ø 8 | RACCORD | RACOR | UNION | ANSCHLUSS |
| | 2 | 1.34458 | RACCORDO PER INNESTO RAPIDO | RACCORD | RACOR | UNION | ANSCHLUSS |
| | 3 | 1.14626 | TAPPO | BOUCHON | TAPON | PLUG | VERSCHLUSS |
| | 3 | 1.35769 | TAPPO | BOUCHON | TAPON | PLUG | VERSCHLUSS |
| | 4 | 355.61630 | RONDELLA | RONDELLE | ARANDELA | WASHER | SCHLEIBE |
| | 5 | 1.35682 | 2° TUBO SOLLEVAMENTO ASPO | TUBE | TUBO | PIPE | ROHR |
| | 6 | 1.35681 | 1° TUBO SOLLEVAMENTO ASPO | TUBE | TUBO | PIPE | ROHR |
| | 7 | 1.35683 | 3° TUBO SOLLEVAMENTO ASPO | TUBE | TUBO | PIPE | ROHR |
| | 8 | 650.106 | DADO | ECROU | TUERCA | NUT | MÜTTER |
| | 9 | 354.106 | ROSETTA ELASTICA | RONDELLE W | ARANDELA ELASTICA | SPRING WASHER | FEDERSCHLEIBE |
| | 10 | 1.3784.30 | BRIGLIA | BRIDE | BRIDA | CLAMP | SCHELLE |
| | 11 | 1.28962.00 | COMPL. MARTINETTO S. SOLLEVAM. ASPO | VERIN CPT | CONJ. MARTINETE | RAM, ASSY | ZYLINDER KPL |
| | 12 | 1.34322 | TUBO FLESSIBILE | TUBE FLEXIBLE | TUBO FLEXIBLE | HOSE | SCHLAUCH |
| | 13 | 621.0616 | VITE | VIS | TORNILLO | SCREW | SCHRAUBE |
| | 14 | 1.35549.00 | COMPL. MARTINETTO SOLLEVAM. ASPO | VERIN CPT | CONJ. MARTINETE | RAM, ASSY | ZYLINDER KPL |
| | 15 | 1.34425 | TUBO FLESSIBILE | TUBE FLEXIBLE | TUBO FLEXIBLE | HOSE | SCHLAUCH |
| 16 | 1.34451 | SQUADRETTA FISSAGGIO TUBI | EQUERRE | ESQUADRA | SQUARE | HALTERUNG | |

| MODIF. | RIF. | N° ORDIN. | QUANT. | NOTE |
|--------------------------------------------------------------------------------------|------|--------------|--------------------------------------------------------------------------------------------------------------------------------------------------------------------------------------|------|
| | 1 | 1.8480.33 | (1) | |
| | 2 | 650.718 | (1) | |
| | 3 | 358.7129 | (1) | |
| | 4 | 358.7127 | (1) | |
| | 5 | 1.15867 | (1) | |
| | 6 | 1.31521 | (1) | |
| | 7 | 358.153 | (1) | |
| | 13 | 485.372 | (1) | |
|  | | | | |
| | | C 310 | MARINETTI SOLLEVAMENTO ASPO VERIN RELEVAGE RABATTEUR MARTINETE LEVANTAMIENTO MOLINETE REEL HYDRAULIC CYLINDER HUBZYLINDER FUER HASPEL | |
| | | C 360 | | |
| | | C 420 | | |
| | | 2/1983 | Q 23 A | |
| | | | 1.31520.00 | |

Q 23 A

LAVERDA

| MODIF. | RIF. | N° ORDIN. | DENOMINAZIONE | DESIGNATION | DENOMINACIONES | DESCRIPTION | BENENNUNG |
|--------|------|-----------|-------------------|--------------------|-----------------|-------------|-----------------|
| | 1 | 1.8480.33 | ESTREMITA' STELO | EXTREMITE | EXTREMIDAD | RAM END | KOLBENENDE |
| | 2 | 650.718 | DADO | ECROU | TUERCA | NUT | MUTTER |
| | 3 | 358.7129 | GUARNIZIONE | JOINT | JUNTA | SEAL | RADIALDICHTRING |
| | 4 | 358.7127 | GUARNIZIONE | JOINT | JUNTA | SEAL | RADIALDICHTRING |
| | 5 | 1.15867 | FONDO MARTINETTO | FOND VERIN | FONDO MARTINETE | BOTTOM RAM | BODENZYLINDER |
| | 6 | 1.31521 | STELO | TIGE DE PISTON | VASTAGO | PISTON ROD | KOLBENSTANGE |
| | 7 | 358.153 | GUARNIZIONE | JOINT | JUNTA | O.RING | O-RING |
| | 13 | 485.372 | SERIE GUARNIZIONI | POCHETTE DE JOINTS | SERIE DE JUNTAS | SEALS SET | SATZ DICHTUNGEN |

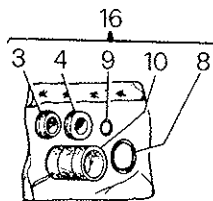
| MODIF. | RIF. | N° ORDIN. | QUANT. | NOTE |
|--------|------|-----------|--------|------|
|--------|------|-----------|--------|------|

MARTINETTO DESTRO 1.35549.00
 VERIN DROIT - MARTINETE DERECHO
 RAM, R.H. - HUBZYLINDER RECHTS

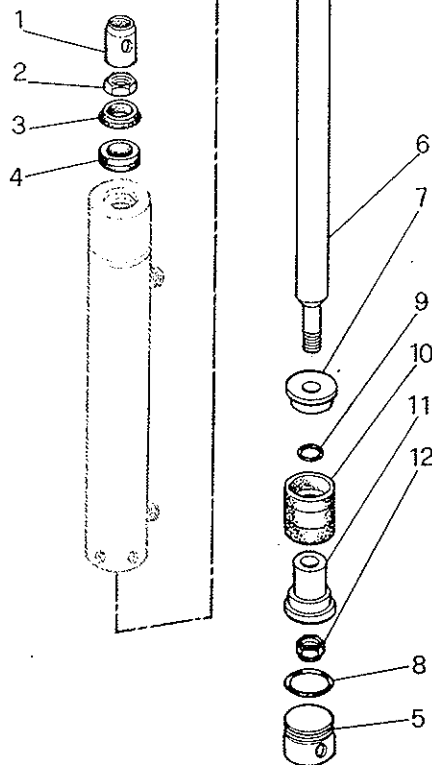
| | | |
|----|-----------|-----|
| 1 | 1.8480.33 | (1) |
| 2 | 650.718 | (1) |
| 3 | 358.7147 | (1) |
| 4 | 358.7146 | (1) |
| 5 | 1.28840 | (1) |
| 6 | 1.35703 | (1) |
| 7 | 3.7903 | (2) |
| 8 | 358.1101 | (1) |
| 9 | 358.100 | (1) |
| 10 | 358.7141 | (1) |
| 11 | 3.7904 | (1) |
| 12 | 653.614 | (1) |
| 16 | 485.384 | (1) |

MARTINETTO SINISTRO 1.28962.00
 VERIN GAUCHE - MARTINETE IZQUIERDO
 RAMI, L.H. - HUBZYLINDER LINKS

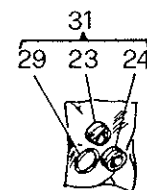
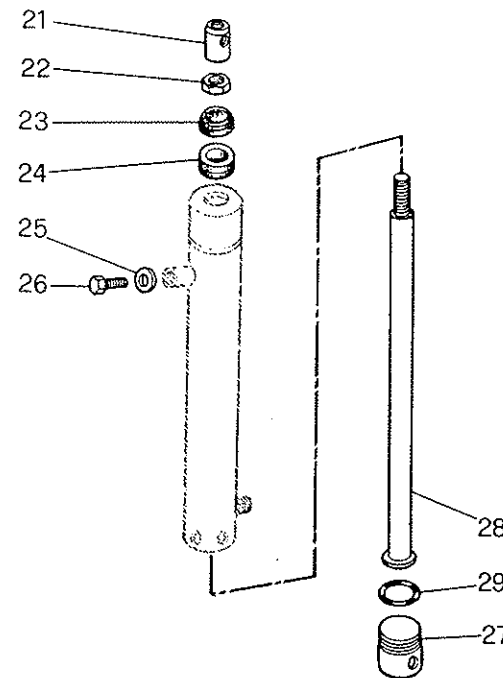
| | | |
|----|-----------|-----|
| 21 | 1.8480.33 | (1) |
| 22 | 650.718 | (1) |
| 23 | 358.7147 | (1) |
| 24 | 358.7146 | (1) |
| 25 | 355.70820 | (1) |
| 26 | 621.0812 | (1) |
| 27 | 1.28843 | (1) |
| 28 | 1.28842 | (1) |
| 29 | 358.197 | (1) |
| 31 | 485.383 | (1) |



1.35549.00 D.



1.28962.00 S.



C 480
 C 540
 C 600
 C 660

MARTINETTI SOLLEVAMENTO ASPO
 VERIN RELEVAGE RABATTEUR
 MARTINETE LEVANTAMIENTO MOLINETE
 REEL HYDRAULIC CYLINDER
 HUBZYLINDER FUER HASPEL

Q 23 B

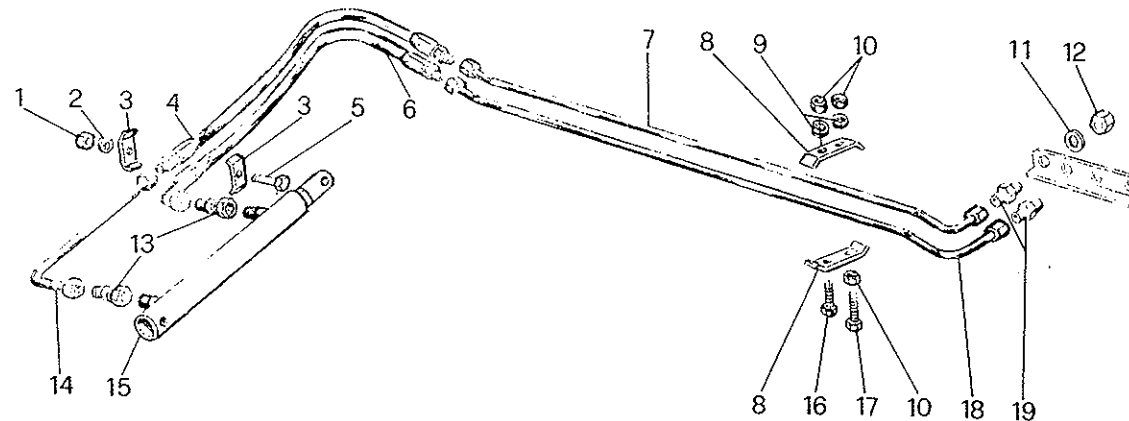
1.35549.00

1.28962.00

2/1983

| MODIF | RIF | N° ORDIN. | DENOMINAZIONE | DESIGNATION | DENOMINACIONES | DESCRIPTION | BENENNUNG |
|-------|-----|-----------|---------------------------|-----------------|-------------------|-------------|-----------------|
| | 1 | 1.8480.33 | ESTREMITA' STELO | EXTREMITE | EXTREMIDAD | RAM END | KOLBENENDE |
| | 2 | 650.718 | DADO | ECROU | TUERCA | NUT | MUTTER |
| | 3 | 358.7147 | GUARNIZIONE | JOINT | JUNTA | SEAL | RADIALDICHTRING |
| | 4 | 358.7146 | GUARNIZIONE | JOINT | JUNTA | SEAL | RADIALDICHTRING |
| | 5 | 1.28840 | FONDELLO | CULOT | HORMILLA DE BOTON | BOTTOM | ENDSCHEIBE |
| | 6 | 1.35703 | STELO | TIGE DE PISTON | VASTAGO | PISTON ROD | KOLBENSTANGE |
| | 7 | 3.7903 | BOCCOLA | BAGUE | CASQUILLO | BUSH | BUECHSE |
| | 8 | 358.1101 | GUARNIZIONE | JOINT | JUNTA | O.RING | O-RING |
| | 9 | 358.100 | MOLLA | RESSORT | RESORTE | SPRING | FEDER |
| | 10 | 358.7141 | GUARNIZIONE | JOINT | JUNTA | SEAL | RADIALDICHTRING |
| | 11 | 3.7904 | BOCCOLA PORTA GUARNIZIONE | BAGUE | CASQUILLO | BUSH | BUECHSE |
| | 12 | 653.614 | DADO | ECROU | TUERCA | NUT | MUTTER |
| | 16 | 485.384 | SERIE GUARNIZIONI | POCHETTE JOINTS | SERIE DE JUNTAS | SEALS SET | SATZ DICHTUNGEN |
| | 21 | 1.8480.33 | ESTREMITA' STELO | EXTREMITE | EXTREMIDAD | RAM END | KOLBENENDE |
| | 22 | 650.718 | DADO | ECROU | TUERCA | NUT | MUTTER |
| | 23 | 358.7147 | GUARNIZIONE | JOINT | JUNTA | SEAL | RADIALDICHTRING |
| | 24 | 358.7146 | GUARNIZIONE | JOINT | JUNTA | SEAL | RADIALDICHTRING |
| | 25 | 355.70820 | RONDELLA IN RAME | RONDELLE | ARANDELA | WASHER | SCHEIBE |
| | 26 | 621.0812 | VITE | VIS | TORNILLO | SCREW | SCHRAUBE |
| | 27 | 1.28843 | FONDELLO | CULOT | HORMILLA DE BOTON | BOTTOM | ENDSCHEIBE |
| | 28 | 1.28842 | STELO | TIGE DE PISTON | VASTAGO | PISTON ROD | KOLBENSTANGE |
| | 29 | 358.197 | GUARNIZIONE | JOINT | JUNTA | O.RING | O-RING |
| | 31 | 485.383 | SERIE GUARNIZIONI | POCHETTE JOINTS | SERIE DE JUNTAS | SEALS SET | SATZ DICHTUNGEN |

| MODIF. | RIF. | N° ORDIN. | QUANT. | NOTE |
|--------|------|------------|--------|------|
| | 1 | 650.108 | 1 | |
| | 2 | 354.108 | 1 | |
| | 3 | 1.5722 | 2 | |
| | 4 | 1.34426 | 1 | |
| | 5 | 621.0818 | 1 | |
| | 6 | 1.34322 | 1 | |
| | 7 | 1.25792 | 1 | |
| | 8 | 1.32977 | 4 | |
| | 9 | 354.106 | 4 | |
| | 10 | 650.106 | 6 | |
| | 11 | 355.61630 | 2 | |
| C 0725 | 12 | 1.14626 | 2 | |
| D 0725 | 12 | 1.35769 | 2 | |
| | 13 | 1.32767 | 2 | |
| | 14 | 1.31988 | 1 | |
| | 15 | 1.30738.00 | 1 | |
| | 16 | 621.0616 | 2 | |
| | 17 | 621.0622 | 2 | |
| | 18 | 1.25791 | 1 | |
| | 19 | 1.34458 | 2 | |



D 0725 tel.n°5F223663 → 1.14626 = 1.35769

C 310

TUBAZIONI AVANZAMENTO ASPO
 TUYAUTERIES D'AVANCEMENT RABATTEUR
 TUBOS AVANCE MOLINETE
 ADVANCEMENT REEL TUBINGS
 OELLEITUNGEN FUER LAENGVERLAEGUNG DER HASPEL

Q 24 A

SF750A04

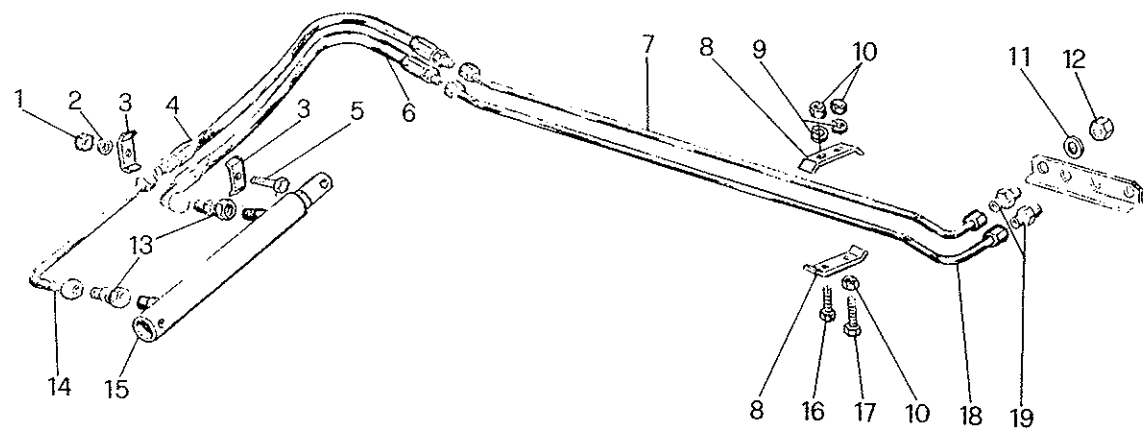
6/1984

Q 24 A

LAYERDA

| MODIF. | RIF. | N° ORDIN. | DENOMINAZIONE | DESIGNATION | DENOMINACIONES | DESCRIPTION | BENENNUNG |
|--------|------|------------|---------------------------------|---------------|-------------------|---------------|--------------|
| | 1 | 650.108 | DADO | ECROU | TUERCA | NUT | MUTTER |
| | 2 | 354.108 | ROSETTA ELASTICA | RONDELLE W | ARANDELA ELASTICA | SPRING WASHER | FEDERSCHEIBE |
| | 3 | 1.5722 | FASCETTA | COLLIER | COLLAR | CLAMP | SHELLE |
| | 4 | 1.34426 | TUBO FLESSIBILE | TUBE FLEXIBLE | TUBO FLEXIBLE | HOSE | SCHLAUCH |
| | 5 | 621.0818 | VITE | VIS | TORNILLO | SCREW | SCHRAUBE |
| | 6 | 1.34322 | TUBO FLESSIBILE | TUBE FLEXIBLE | TUBO FLEXIBLE | HOSE | SCHLAUCH |
| | 7 | 1.25792 | 1° TUBO RITORNO APSO | TUBE | TUBO | PIPE | ROHR |
| | 8 | 1.32977 | FASCETTA | COLLIER | COLLAR | CLAMP | SHELLE |
| | 9 | 354.106 | ROSETTA ELASTICA | RONDELLE W | ARANDELA ELASTICA | SPRING WASHER | FEDERSCHEIBE |
| | 10 | 650.106 | DADO | ECROU | TUERCA | NUT | MUTTER |
| | 11 | 355.61630 | RONDELLA | RONDELLE | ARANDELA | WASHER | SCHLEIBE |
| C 0725 | 12 | 1.14626 | TAPPO | BOUCHON | TAPON | PLUG | VERSCHLUSS |
| D 0725 | 12 | 1.35769 | TAPPO | BOUCHON | TAPON | PLUG | VERSCHLUSS |
| | 13 | 1.32767 | RIDUZIONE | REDUCTION | REDUCCION | REDUCTION | REDUKTION |
| | 14 | 1.31988 | 2° TUBO RITORNO ASPO | TUBE | TUBO | PIPE | ROHR |
| | 15 | 1.30738.00 | COMPL. MARTINETTO AVANZAM. ASPO | VERIN CPT | CONJ. MARTINETE | RAM, ASSY | ZYLINDER KPL |
| | 16 | 621.0616 | VITE | VIS | TORNILLO | SCREW | SCHRAUBE |
| | 17 | 621.0622 | VITE | VIS | TORNILLO | SCREW | SCHRAUBE |
| | 18 | 1.25791 | 1° TUBO MANDATA ASPO | TUBE | TUBO | PIPE | ROHR |
| | 19 | 1.34458 | RACCORDO PER INNESTO RAPIDO | RACCORD | RACOR | UNION | ANSCHLUSS |

| MODIF. | RIF. | N° ORDIN. | QUANT. | NOTE |
|--------|------|------------|--------|------|
| | 1 | 650.108 | 1 | |
| | 2 | 354.108 | 1 | |
| | 3 | 1.5722 | 2 | |
| | 4 | 1.34426 | 1 | |
| | 5 | 621.0818 | 1 | |
| | 6 | 1.34322 | 1 | |
| | 7 | 1.31976 | 1 | |
| | 8 | 1.32977 | 4 | |
| | 9 | 354.106 | 4 | |
| | 10 | 650.106 | 6 | |
| | 11 | 355.61630 | 2 | |
| C 0725 | 12 | 1.14626 | 2 | |
| D 0725 | 12 | 1.35769 | 2 | |
| | 13 | 1.32767 | 2 | |
| | 14 | 1.31988 | 1 | |
| | 15 | 1.30738.00 | 1 | |
| | 16 | 621.0616 | 2 | |
| | 17 | 621.0622 | 2 | |
| | 18 | 1.31975 | 1 | |
| | 19 | 1.34458 | 2 | |



D 0725 tel.n°5F233440 → 1-14626 = 1.35769

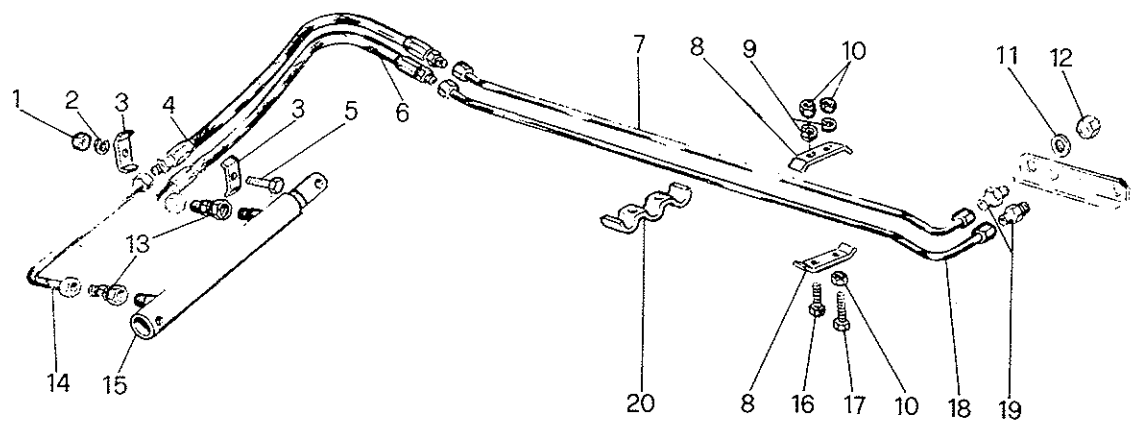
| | | |
|--------------|-----------------------------------------------------------------------------------------------------------------------------------------------------------------------|----------|
| C 360 | TUBAZIONI AVANZAMENTO ASPO TUYAUTERIES D'AVANCEMENT RABATTEUR TUBOS AVANCE MOLINETE ADVANCEMENT REEL TUBINGS OELLEITUNGEN FUER LAENGVERLAEGUNG DER HASPEL | Q 24 B |
| | 6/1984 | 5F750A06 |

Q 24 B

LAVERDA

| MODIF. | RIF. | N° ORDIN. | DENOMINAZIONE | DESIGNATION | DENOMINACIONES | DESCRIPTION | BENENNUNG |
|--------|------|------------|---------------------------------|-------------|-------------------|---------------|--------------|
| | 1 | 650.108 | DADO | ECROU | TUERCA | NUT | MUTTER |
| | 2 | 354.108 | ROSETTA ELASTICA | RONDELLE W | ARANDELA ELASTICA | SPRING WASHER | FEDERSCHEIBE |
| | 3 | 1.5722 | FASCETTA | COLLIER | COLLAR | CLAMP | SCHELLE |
| | 4 | 1.34426 | TUBO FLESSIBILE | FLEXIBLE | FLEXIBLE | HOSE | SCHLAUCH |
| | 5 | 621.0818 | VITE | VIS | TORNILLO | SCREW | SCHRAUBE |
| | 6 | 1.34322 | TUBO FLESSIBILE | FLEXIBLE | FLEXIBLE | HOSE | SCHLAUCH |
| | 7 | 1.31976 | 1° TUBO RITORNO ASPO | TUBE | TUBO | PIPE | ROHR |
| | 8 | 1.32977 | FASCETTA | COLLIER | COLLAR | CLAMP | SCHELLE |
| | 9 | 354.106 | ROSETTA ELASTICA | RONDELLE W | ARANDELA ELASTICA | SPRING WASHER | FEDERSCHEIBE |
| | 10 | 650.106 | DADO | ECROU | TUERCA | NUT | MUTTER |
| | 11 | 355.61630 | RONDELLA | RONDELLE | ARANDELA | WASHER | SCHEIBE |
| C 0725 | 12 | 1.14626 | TAPPO | BOUCHON | TAPON | PLUG | VERSCHLUSS |
| D 0725 | 12 | 1.35769 | TAPPO | BOUCHON | TAPON | PLUG | VERSCHLUSS |
| | 13 | 1.32767 | RIDUZIONE | REDUCTION | REDUCCION | REDUCTION | REDUKTION |
| | 14 | 1.31988 | 2° TUBO RITORNO ASPO | TUBE | TUBO | PIPE | ROHR |
| | 15 | 1.30738.00 | COMPL. MARTINETTO AVANZAM. ASPO | VERIN CPT | CONJ. MARTINETE | RAM, ASSY | ZYLINDER KPL |
| | 16 | 621.0616 | VITE | VIS | TORNILLO | SCREW | SCHRAUBE |
| | 17 | 621.0622 | VITE | VIS | TORNILLO | SCREW | SCHRAUBE |
| | 18 | 1.31975 | 1° TUBO MANDATA ASPO | TUBE | TUBO | PIPE | ROHR |
| | 19 | 1.34458 | RACCORDO PER INNESTO RAPIDO | RACCORD | RACOR | UNION | ANSCHLUSS |

| MODIF. | RIF. | N° ORDIN. | QUANT. | NOTE |
|--------|------|------------|--------|------|
| | 1 | 650.108 | 1 | |
| | 2 | 354.108 | 1 | |
| | 3 | 1.5722 | 2 | |
| | 4 | 1.34426 | 1 | |
| | 5 | 621.0818 | 1 | |
| | 6 | 1.34322 | 1 | |
| | 7 | 1.31971 | 1 | |
| | 8 | 1.32977 | 4 | |
| | 9 | 354.106 | 4 | |
| | 10 | 650.106 | 6 | |
| | 11 | 355.61630 | 2 | |
| C 0725 | 12 | 1.14626 | 2 | |
| D 0725 | 12 | 1.35769 | 2 | |
| | 13 | 1.32767 | 2 | |
| | 14 | 1.31988 | 1 | |
| | 15 | 1.30738.00 | 1 | |
| | 16 | 621.0618 | 2 | |
| | 17 | 621.0622 | 2 | |
| | 18 | 1.31970 | 1 | |
| | 19 | 1.34458 | 2 | |
| | 20 | 1.36708 | 3 | |

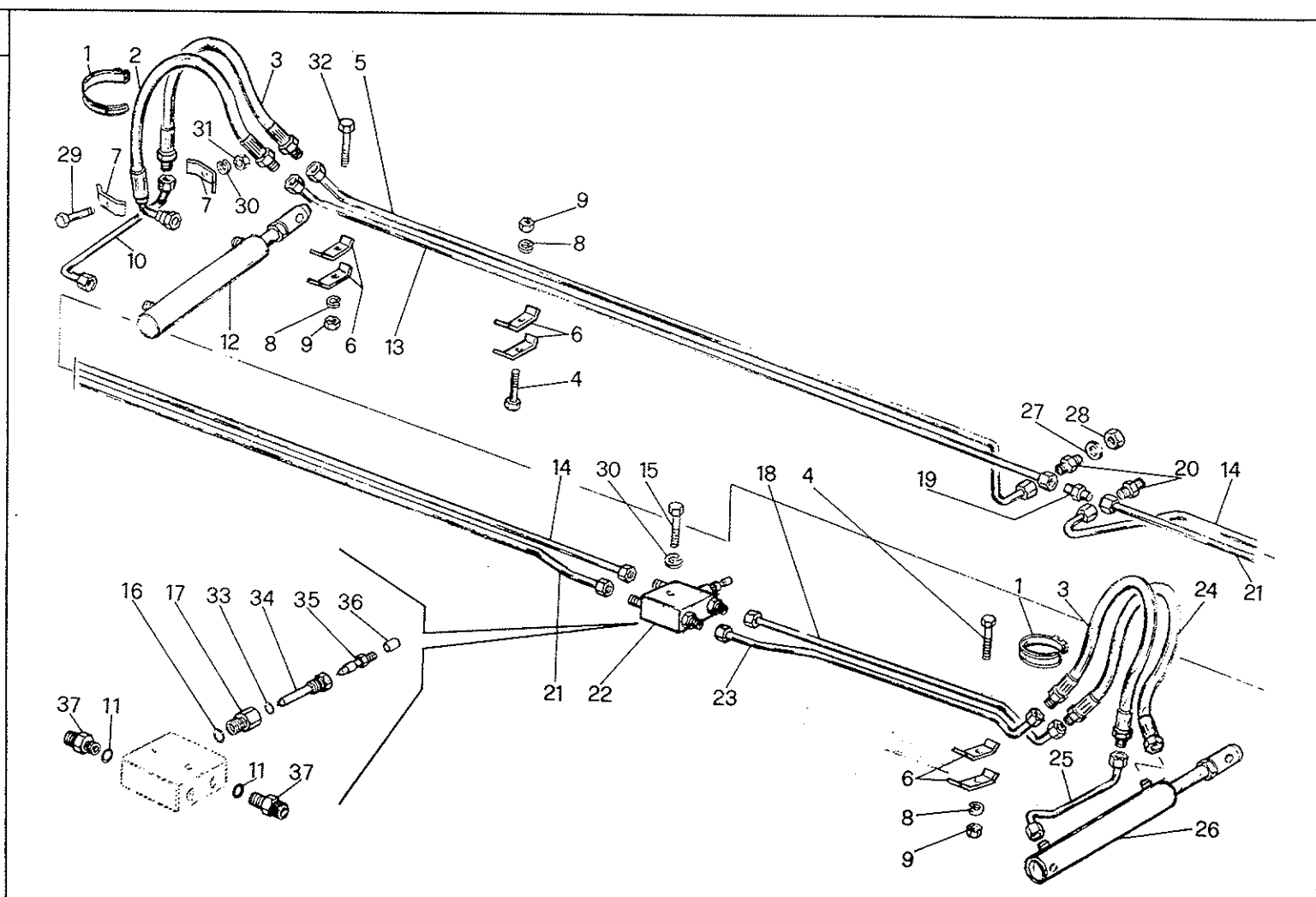


D 0725 tel.n°5F243490 → 1.14626 = 1.35769

| | | |
|--------------|------------------------------------------------------------------------------------------------------------------------------------------------------------------------|---------------|
| C 420 | TUBAZIONI AVANZAMENTO ASPO TUYAUTERIES D'AVANCEMENT RABATTEUR TUBOS AVANCE MOLINETE ADVANCEMENT REEL TUBINGS OELLEITUNGEN FUBR LAENGSVERLAEGUNG DER HASPEL | Q 24 D |
| | 6/1984 | 5F750A10 |

| MODIF. | RIF. | N° ORDIN. | DENOMINAZIONE | DESIGNATION | DENOMINACIONES | DESCRIPTION | BENENNUNG |
|--------|------|------------|-------------------------------|-------------|-------------------|---------------|--------------|
| | 1 | 650.108 | DADO | ECROU | TUERCA | NUT | MUTTER |
| | 2 | 354.108 | ROSETTA ELASTICA | RONDELLE W | ARANDELA ELASTICA | SPRING WASHER | FEDERSCHEIBE |
| | 3 | 1.5722 | FASCETTA | COLLIER | COLLAR | CLAMP | SHELLE |
| | 4 | 1.34426 | TUBO FLESSIBILE | FLEXIBLE | FLEXIBLE | HOSE | SCHLAUCH |
| | 5 | 621.0818 | VITE | VIS | TORNILLO | SCREW | SCHRAUBE |
| | 6 | 1.34322 | TUBO FLESSIBILE | FLEXIBLE | FLEXIBLE | HOSE | SCHLAUCH |
| | 7 | 1.31971 | 1° TUBO RITORNO ASPO | TUBE | TUBO | PIPE | ROHR |
| | 8 | 1.32977 | FASCETTA | COLLIER | COLLAR | CLAMP | SHELLE |
| | 9 | 354.106 | ROSETTA ELASTICA | RONDELLE W | ARANDELA ELASTICA | SPRING WASHER | FEDERSCHEIBE |
| | 10 | 650.106 | DADO | ECROU | TUERCA | NUT | MUTTER |
| | 11 | 355.61630 | RONDELLA | RONDELLE | ARANDELA | WASHER | SCHEIBE |
| C 0725 | 12 | 1.14626 | TAPPO | BOUCHON | TAPON | PLUG | VERSCHLUSS |
| D 0725 | 12 | 1.35769 | TAPPO | BOUCHON | TAPON | PLUG | VERSCHLUSS |
| | 13 | 1.32767 | RIDUZIONE | REDUCCION | REDUCCION | REDUCCION | REDUKTION |
| | 14 | 1.31988 | 2° TUBO RITORNO ASPO | TUBE | TUBO | PIPE | ROHR |
| | 15 | 1.30738.00 | COMPL MARTINETTO RITORNO ASPO | VERIN CPT | CONJ. MARTINETE | RAM, ASSY | ZYLINDER KPL |
| | 16 | 621.0618 | VITE | VIS | TORNILLO | SCREW | SCHRAUBE |
| | 17 | 621.0622 | VITE | VIS | TORNILLO | SCREW | SCHRAUBE |
| | 18 | 1.31970 | 1° TUBO MANDATA ASPO | TUBE | TUBO | PIPE | ROHR |
| | 19 | 1.34458 | RACCORDO PER INNESTO RAPIDO | RACCORD | RACOR | UNION | ANSCHLUSS |
| | 20 | 1.36708 | BRIGLIA | BRIDE | BRIDA | CLAMP | SHELLE |

| MODIF. | RIF. | N° ORDIN. | QUANT. | NOTE |
|--------|------|------------|--------|------|
| | 1 | 481.802 | 2 | |
| | 2 | 1.34322 | 1 | |
| | 3 | 1.34426 | 2 | |
| | 4 | 621.0620 | 6 | |
| | 5 | 1.34435 | 1 | |
| | 6 | 1.3784.30 | 14 | |
| | 7 | 1.5722 | 2 | |
| | 8 | 354.106 | 7 | |
| | 9 | 650.106 | 7 | |
| | 10 | 1.35552 | 1 | |
| | 11 | 358.123 | (4) | |
| | 12 | 1.35551.00 | 1 | |
| | 13 | 1.34436 | 1 | |
| | 14 | 1.34438 | 1 | |
| | 15 | 621.0818 | 1 | |
| | 16 | 358.100 | (1) | |
| | 17 | 1.35486 | (1) | |
| | 18 | 1.34428 | 1 | |
| | 19 | 1.16938 | 1 | |
| | 20 | 1.34458 | 2 | |
| | 21 | 1.34437 | 1 | |
| | 22 | 1.35771.00 | 1 | |
| | 23 | 1.34429 | 1 | |
| | 24 | 1.34416 | 1 | |
| | 25 | 1.35553 | 1 | |
| | 26 | 1.35550.00 | 1 | |
| | 27 | 355.61630 | 2 | |
| C 0725 | 28 | 1.14626 | 2 | |
| D 0725 | 28 | 1.35769 | 2 | |
| | 29 | 621.0820 | 1 | |
| | 30 | 354.108 | 2 | |
| | 31 | 650.108 | 1 | |
| | 32 | 621,0624 | 1 | |
| | 33 | 358.150 | (1) | |
| | 34 | 1.35485 | (1) | |
| | 35 | 1.6152.48 | (1) | |
| | 36 | 1.6152.49 | (1) | |
| | 37 | 1.32786 | (4) | |



D 0725 tel.n°5F253505 → 1.14626 = 1.35769

C 480
6/1984

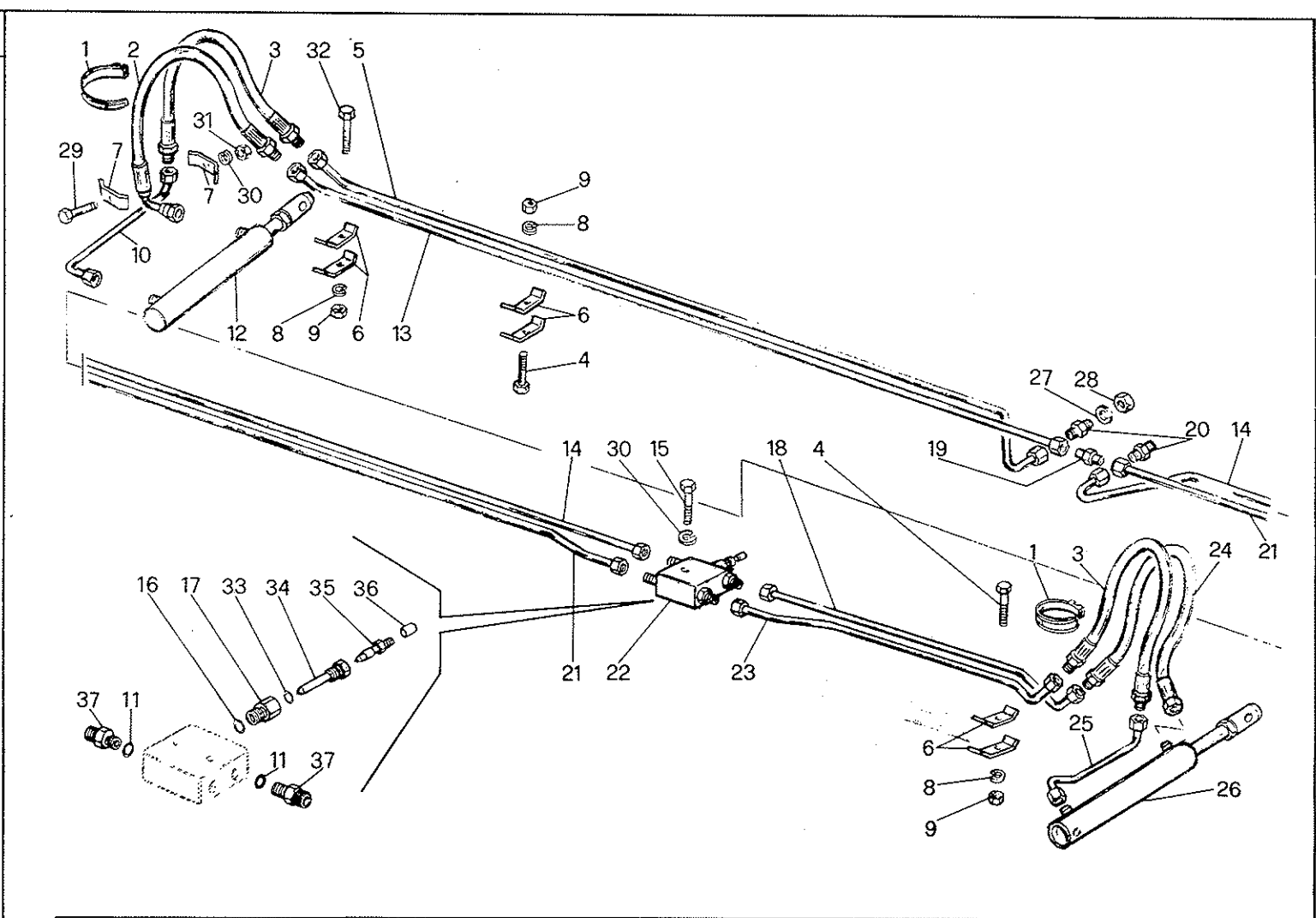
TUBAZIONI AVANZAMENTO ASPO
 TUYAUTERIES D'AVANCEMENT RABATTEUR
 TUBOS AVANCE MOLINETE
 ADVANCEMENT REEL TUBINGS
 OELLEITUNGEN FUER LAENGVERLAEGUNG DER HASPEL

Q 24 E
5F750A12

| MODIF. | RIF. | N° ORDIN. | DENOMINAZIONE | DESIGNATION | DENOMINACIONES | DESCRIPTION | BENENNUNG |
|--------|------|------------|---------------------------------------|----------------|--------------------|---------------|--------------|
| | 1 | 481.802 | FASCETTA | COLLIER | COLLAR | CLAMP | SCHELLE |
| | 2 | 1.34322 | TUBO FLESSIBILE | FLEXIBLE | FLEXIBLE | HOSE | SCHLAUCH |
| | 3 | 1.34426 | TUBO FLESSIBILE | FLEXIBLE | FLEXIBLE | HOSE | SCHLAUCH |
| | 4 | 621.0620 | VITE | VIS | TORNILLO | SCREW | SCHRAUBE |
| | 5 | 1.34435 | 1° TUBO D. AVANZ. ASPO | TUBE | TUBO | PIPE | ROHR |
| | 6 | 1.3784.30 | BRIGLIA | BRIDE | BRIDA | CLAMP | SCHELLE |
| | 7 | 1.5722 | FASCETTA | COLLIER | COLLAR | CLAMP | SCHELLE |
| | 8 | 354.106 | ROSETTA ELASTICA | RONDELLE W | ARANDELA ELASTICA | SPRING WASHER | FEDERSCHEIBE |
| | 9 | 650.106 | DADO | ECROU | TUERCA | NUT | MUTTER |
| | 10 | 1.35552 | 2° TUBO D. ESTENSIONE MARTINETTO | TUBE | TUBO | PIPE | ROHR |
| | 11 | 358.123 | GUARNIZIONE | JOINT | JUNTA | O-RING | O-RING |
| | 12 | 1.35551.00 | MARTINETTO D. AVANZAMENTO ASPO | VERIN D. | MARTINETE DE. | RAM, R.H. | ZYLINDER R. |
| | 13 | 1.34436 | 1° TUBO D. DI COLLEGAMENTO | TUBE D. | TUBO DE. | PIPE, R.H. | ROHR R. |
| | 14 | 1.34438 | 1° TUBO S. RETRAZIONE ASPO | TUBE G. | TUBO IZ. | PIPE, L.H. | ROHR L. |
| | 15 | 621.0818 | VITE | VIS | TORNILLO | SCREW | SCHRAUBE |
| | 16 | 358.100 | GUARNIZIONE | JOINT | JUNTA | O-RING | O-RING |
| | 17 | 1.35486 | RACCORDO | RACCORD | RACOR | UNION | ANSCHLUSS |
| | 18 | 1.34428 | 3° TUBO COLLEGAM. MARTINETTI | TUBE | TUBE | PIPE | ROHR |
| | 19 | 1.16938 | RACCORDO DI GIUNZIONE PER TUBO Ø 8 | RACCORD | RACOR | UNION | ANSCHLUSS |
| | 20 | 1.34458 | RACCORDO PER INNESTO RAPIDO | RACCORD | RACOR | UNION | ANSCHLUSS |
| | 21 | 1.34437 | 2° TUBO S. DI COLLEGAMENTO MARTINETTO | TUBE G. | TUBO IZ. | PIPE, L.H. | ROHR L. |
| | 22 | 1.35771.00 | BLOCCHETTO VALVOLA | BLOC DE CLAPET | BLOQUE DE VALVULAS | VALVE BLOCK | VENTILBLOCK |
| | 23 | 1.34429 | 2° TUBO DI COLLEGAMENTO MARTINETTI | TUBE | TUBO | PIPE | ROHR |
| | 24 | 1.34416 | TUBO FLESSIBILE | FLEXIBLE | FLEXIBLE | HOSE | SCHLAUCH |
| | 25 | 1.35553 | 4° TUBO DI COLLEGAMENTO MARTINETTI | TUBE | TUBO | PIPE | ROHR |
| | 26 | 1.35550.00 | MARTINETTO S. AVANZAMENTO ASPO | VERIN G. | MARTINETE IZ. | RAM, L.H. | ZYLINDER L. |
| | 27 | 355.61630 | RONDELLA | RONDELLE | ARANDELA | WASHER | SCHEIBE |
| | 28 | 1.14626 | TAPPO | BOUCHON | TAPON | PLUG | VERSCHLUSS |
| | 28 | 1.35769 | TAPPO | BOUCHON | TAPON | PLUG | VERSCHLUSS |
| | 29 | 621.0820 | VITE | VIS | TORNILLO | SCREW | SCHRAUBE |
| | 30 | 354.108 | ROSETTA ELASTICA | RONDELLE W | ARANDELA ELASTICA | SPRING WASHER | FEDERSCHEIBE |
| | 31 | 650.108 | DADO | ECROU | TUERCA | NUT | MUTTER |
| | 32 | 621.0624 | VITE | VIS | TORNILLO | SCREW | SCHRAUBE |
| | 33 | 358.150 | GUARNIZIONE | JOINT | JUNTA | O-RING | O-RING |
| | 34 | 1.35485 | VALVOLA | CLAPET | VALVULA | VALVE | VENTIL |
| | 35 | 1.6152.48 | SFIATO | RENIFLARD | RESPIRADERO | BREATHER | ENTLUEFTER |
| | 36 | 1.6152.49 | COPERCHIETTO | COUVERCLE | TAPA | COVER | DECKEL |
| | 37 | 1.32786 | RACCORDO | RACCORD | RACOR | UNION | ANSCHLUSS |

C 0725
D 0725

| MODIF. | RIF. | N° ORDIN. | QUANT. | NOTE |
|--------|------|------------|--------|------|
| | 1 | 481.802 | 2 | |
| | 2 | 1.34322 | 1 | |
| | 3 | 1.34426 | 2 | |
| | 4 | 621.0620 | 6 | |
| | 5 | 1.34443 | 1 | |
| | 6 | 1.3784.30 | 14 | |
| | 7 | 1.5722 | 2 | |
| | 8 | 354.106 | 7 | |
| | 9 | 650.106 | 7 | |
| | 10 | 1.35552 | 1 | |
| | 11 | 358.123 | (4) | |
| | 12 | 1.35551.00 | 1 | |
| | 13 | 1.34444 | 1 | |
| | 14 | 1.34446 | 1 | |
| | 15 | 621.0818 | 1 | |
| | 16 | 358.100 | (1) | |
| | 17 | 1.35486 | (1) | |
| | 18 | 1.34428 | 1 | |
| | 19 | 1.16938 | 1 | |
| | 20 | 1.34458 | 2 | |
| | 21 | 1.34445 | 1 | |
| | 22 | 1.35771.00 | 1 | |
| | 23 | 1.34429 | 1 | |
| | 24 | 1.34416 | 1 | |
| | 25 | 1.35553 | 1 | |
| | 26 | 1.35550.00 | 1 | |
| | 27 | 355.61630 | 2 | |
| C 0725 | 28 | 1.14626 | 2 | |
| D 0725 | 28 | 1.35769 | 2 | |
| | 29 | 621.0820 | 1 | |
| | 30 | 354.108 | 2 | |
| | 31 | 650.108 | 1 | |
| | 32 | 621.0624 | 1 | |
| | 33 | 358.150 | (1) | |
| | 34 | 1.35485 | (1) | |
| | 35 | 1.6152.48 | (1) | |
| | 36 | 1.6152.49 | (1) | |
| | 37 | 1.32786 | (4) | |



D 0725 tel.n°5F273662 → 1-14626 = 1.35769

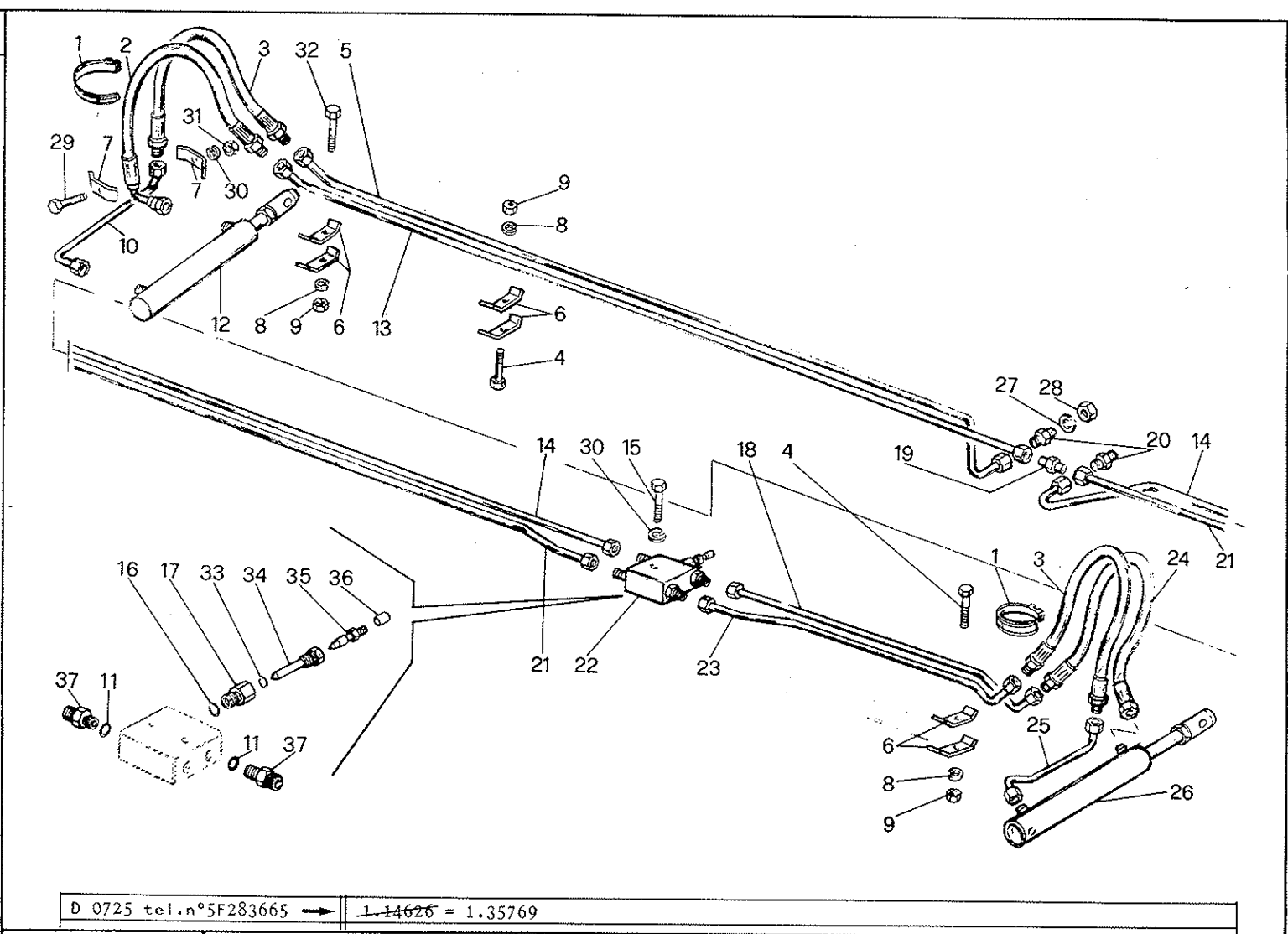
| |
|--------------|
| C 540 |
| 6/1984 |

TUBAZIONI AVANZAMENTO ASPO
 TUYAUTERIES D'AVANCEMENT RABATTEUR
 TUBOS AVANCE MOLINETE
 ADVANCEMENT REEL TUBINGS
 OELLEITUNGEN FUHR LAENGSVERLAEGUNG DER HASPEL

| |
|---------------|
| Q 24 F |
| 5F750A14 |

| MODIF. | RIF. | N° ORDIN. | DENOMINAZIONE | DESIGNATION | DENOMINACIONES | DESCRIPTION | BENENNUNG |
|--------|------|------------|---------------------------------------|----------------|--------------------|---------------|---------------|
| | 1 | 481.802 | FASCETTA | COLLIER | COLLAR | CLAMP | SCELLE |
| | 2 | 1.34322 | TUBO FLESSIBILE | FLEXIBLE | FLEXIBLE | HOSE | SCHLAUCH |
| | 3 | 1.34426 | TUBO FLESSIBILE | FLEXIBLE | FLEXIBLE | HOSE | SCHLAUCH |
| | 4 | 621.0620 | VITE | VIS | TORNILLO | SCREW | SCHRAUBE |
| | 5 | 1.34443 | 1° TUBO D. AVANZ. ASPO | TUBE D. | TUBO DE. | PIPE, R.H. | ROHR R. |
| | 6 | 1.3784.30 | BRIGLIA | BRIDE | BRIDA | CLAMP | SCELLE |
| | 7 | 1.5722 | FASCETTA | COLLIER | COLLAR | CLAMP | SCELLE |
| | 8 | 354.106 | ROSETTA ELASTICA | RONDELLE W | ARANDELA ELASTICA | SPRING WASHER | FEDERSCHEIBE |
| | 9 | 650.106 | DADO | ECROU | TUERCA | NUT | MUTTER |
| | 10 | 1.35552 | 2° TUBO D. ESTENSIONE MARTINETTO | TUBE D. | TUBO DE. | PIPE, R.H. | ROHR R. |
| | 11 | 358.123 | GUARNIZIONE | JOINT | JUNTA | O.RING | O-RING |
| | 12 | 1.35551.00 | MARTINETTO D. AVANZAMENTO ASPO | VERIN D. | MARTINETE DE. | RAM, R.H. | ZYLINDER R. |
| | 13 | 1.34444 | 1° TUBO D. DI COLLEGAMENTO | TUBE D. | TUBO DE. | PIPE, R.H. | ROHR R. |
| | 14 | 1.34446 | 1° TUBO S. RETRAZIONE ASPO | TUBE G. | TUBO IZ. | PIPE, L.H. | ROHR L. |
| | 15 | 621.0818 | VITE | VIS | TORNILLO | SCREW | SCHRAUBE |
| | 16 | 358.100 | GUARNIZIONE | JOINT | JUNTA | O.RING | O-RING |
| | 17 | 1.35486 | RACCORDO | RACCORD | RACOR | UNION | ANSCHLUSS |
| | 18 | 1.34428 | 3° TUBO COLLEGAM. MARTINETTI | TUBE | TUBO | PIPE | ROHR |
| | 19 | 1.16938 | RACCORDO DI GIUNZIONE PER TUBO Ø 8 | RACCORD | RACOR | UNION | ANSCHLUSS |
| | 20 | 1.34458 | RACCORDO INNESTO RAPIDO | RACCORD | RACOR | UNION | ANSCHLUSS |
| | 21 | 1.34445 | 2° TUBO S. DI COLLEGAMENTO MARTINETTO | TUBE G. | TUBO IZ. | PIPE, L.H. | ROHR L. |
| | 22 | 1.35771.00 | BLOCCHETTO VALVOLA | BLOC DE CLAPET | BLOQUE DE VALVULAS | VALVE BLOCK | VENTILBLOCK |
| | 23 | 1.34429 | 2° TUBO DI COLLEGAMENTO MARTINETTI | TUBE | TUBO | PIPE | ROHR |
| | 24 | 1.34416 | TUBO FLESSIBILE | FLEXIBLE | FLEXIBLE | HOSE | SCHLAUCH |
| | 25 | 1.35553 | 4° TUBO DI COLLEGAMENTO MARTINETTI | TUBE | TUBO | PIPE | ROHR |
| | 26 | 1.35550.00 | MARTINETTO S. AVANZAMENTO ASPO | VERIN G. | MARTINETE IZ. | RAM, L.H. | ZYLINDER L. |
| | 27 | 355.61630 | RONDELLA | RONDELLE | ARANDELA | WASHER | SCHLEIBE |
| C 0725 | 28 | 1.14626 | TAPPO | BOUCHON | TAPON | PLUG | VERSCHLUSS |
| D 0725 | 28 | 1.35769 | TAPPO | BOUCHON | TAPON | PLUG | VERSCHLUSS |
| | 29 | 621.0820 | VITE | VIS | TORNILLO | SCREW | SCHRAUBE |
| | 30 | 354.108 | ROSETTA ELASTICA | RONDELLE W | ARANDELA ELASTICA | SPRING WASHER | FEDERSCHLEIBE |
| | 31 | 650.108 | DADO | ECROU | TUERCA | NUT | MUTTER |
| | 32 | 621.0624 | VITE | VIS | TORNILLO | SCREW | SCHRAUBE |
| | 33 | 358.150 | GUARNIZIONE | JOINT | JUNTA | O.RING | O-RING |
| | 34 | 1.35485 | VALVOLA | CLAPET | VALVULA | VALVE | VENTIL |
| | 35 | 1.6152.48 | SFIATO | RENIELARD | RESPIRADERO | BREATHER | ENTLUEFTER |
| | 36 | 1.6152.49 | COPERCHIETTO | COUVERCLE | TAPA | COVER | DECKEL |
| | 37 | 1.32786 | RACCORDO | RACCORD | RACOR | UNION | ANSCHLUSS |

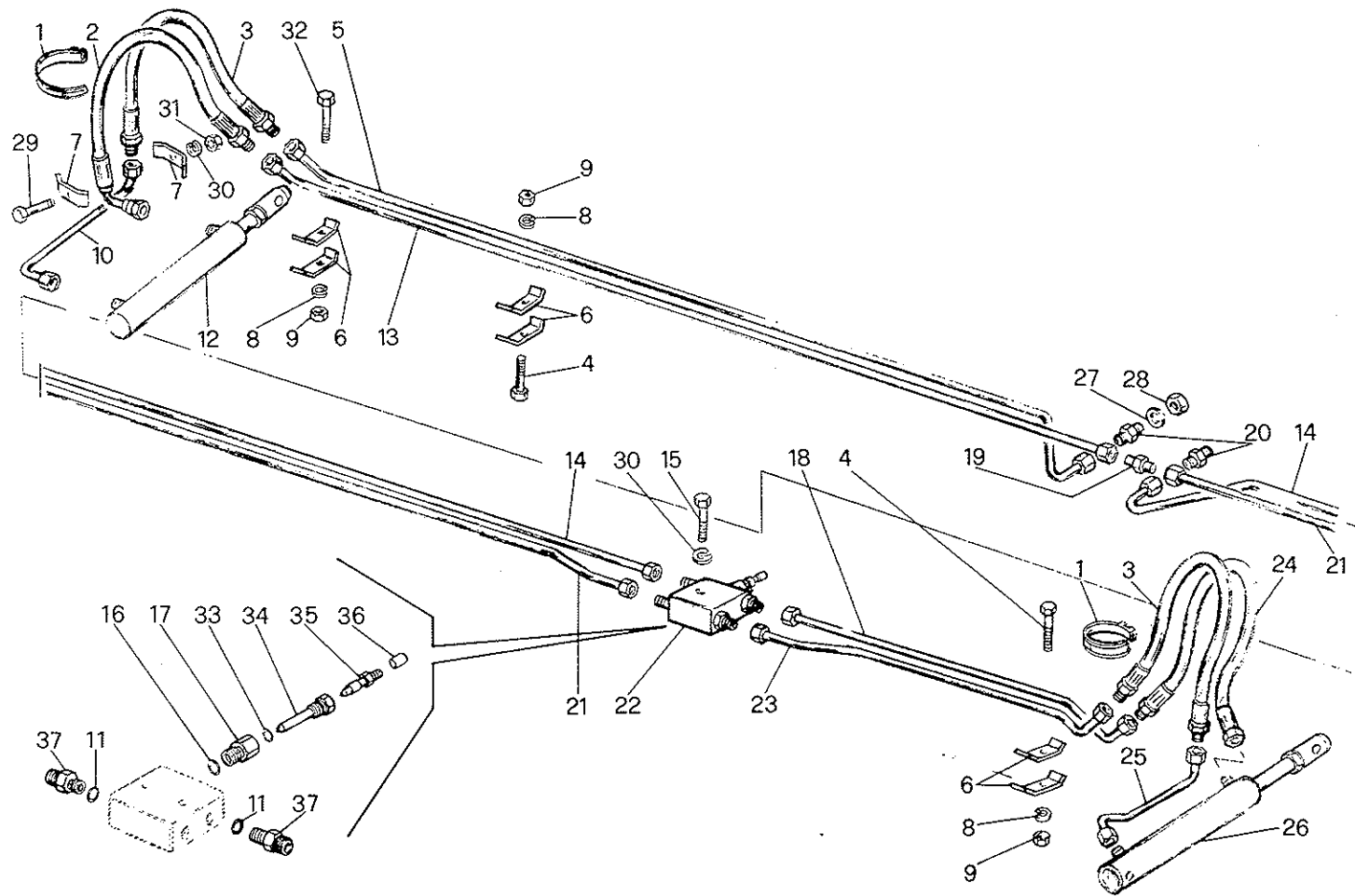
| MODIF. | RIF. | N° ORDIN. | QUANT. | NOTE |
|--------|------|------------|--------|------|
| | 1 | 481.802 | 2 | |
| | 2 | 1.34322 | 1 | |
| | 3 | 1.34426 | 2 | |
| | 4 | 621.0620 | 7 | |
| | 5 | 1.34449 | 1 | |
| | 6 | 1.3784.30 | 16 | |
| | 7 | 1.5722 | 2 | |
| | 8 | 354.106 | 8 | |
| | 9 | 650.106 | 8 | |
| | 10 | 1.35552 | 1 | |
| | 11 | 358.123 | (4) | |
| | 12 | 1.35551.00 | 1 | |
| | 13 | 1.34450 | 1 | |
| | 14 | 1.34446 | 1 | |
| | 15 | 621.0818 | 1 | |
| | 16 | 358.100 | (1) | |
| | 17 | 1.35486 | (1) | |
| | 18 | 1.34428 | 1 | |
| | 19 | 1.16938 | 1 | |
| | 20 | 1.34458 | 2 | |
| | 21 | 1.34445 | 1 | |
| | 22 | 1.35771.00 | 1 | |
| | 23 | 1.34429 | 1 | |
| | 24 | 1.34416 | 1 | |
| | 25 | 1.35553 | 1 | |
| | 26 | 1.35550.00 | 1 | |
| | 27 | 355.61630 | 2 | |
| C 0725 | 28 | 1.14626 | 2 | |
| D 0725 | 28 | 1.35769 | 2 | |
| | 29 | 621.0820 | 1 | |
| | 30 | 354.108 | 2 | |
| | 31 | 650.108 | 1 | |
| | 32 | 621.0624 | 1 | |
| | 33 | 358.150 | (1) | |
| | 34 | 1.35485 | (1) | |
| | 35 | 1.6152.48 | (1) | |
| | 36 | 1.6152.49 | (1) | |
| | 37 | 1.32786 | (4) | |



| | | |
|--------------|------------------------------------------------------------------------------------------------------------------------------------------------------------------------|---------------|
| C 600 | TUBAZIONI AVANZAMENTO ASPO TUYAUTERIES D'AVANCEMENT RABATTEUR TUBOS AVANCE MOLINETE ADVANCEMENT REEL TUBINGS OELLEITUNGEN FUER LAENGSVERLAEGUNG DER HASPEL | Q 24 G |
| | 6/1984 | 5F750A16 |

| MODIF. | RIF. | N° ORDIN. | DENOMINAZIONE | DESIGNATION | DENOMINACIONES | DESCRIPTION | BENENNUNG |
|--------|------|------------|---------------------------------------|----------------|-------------------|---------------|--------------|
| | 1 | 481.802 | FASCETTA | COLLIER | COLLAR | CLAMP | SHELLE |
| | 2 | 1.34322 | TUBO FLESSIBILE | FLEXIBLE | FLEXIBLE | HOSE | SCHLAUCH |
| | 3 | 1.34426 | TUBO FLESSIBILE | FLEXIBLE | FLEXIBLE | HOSE | SCHLAUCH |
| | 4 | 621.0620 | VITE | VIS | TORNILLO | SCREW | SCHRAUBE |
| | 5 | 1.34449 | 1° TUBO D. AVANZ. ASPO | TUBE D. | TUBO DE. | PIPE, R.H. | ROHR R. |
| | 6 | 1.3784.30 | BRIGLIA | BRIDE | BRIDA | CLAMP | SHELLE |
| | 7 | 1.5722 | FASCETTA | COLLIER | COLLAR | CLAMP | SHELLE |
| | 8 | 354.106 | ROSETTA ELASTICA | RONDELLE W | ARANDELA ELASTICA | SPRING WASHER | FEDERSCHEIBE |
| | 9 | 650.106 | DADO | ECROU | TUERCA | NUT | MUTTER |
| | 10 | 1.35552 | 2° TUBO D. ESTENSIONE MARTINETTO | TUBE D. | TUBO DE. | PIPE, R.H. | ROHR R. |
| | 11 | 358.123 | GUARNIZIONE | JOINT | JUNTA | O-RING | O-RING |
| | 12 | 1.35551.00 | MARTINETTO D. AVANZAMENTO ASPO | VERIN D. | MARTINETE DE. | RAM, R.H. | ZYLINDER R. |
| | 13 | 1.34450 | 1° TUBO D. DI COLLEGAMENTO | TUBE D. | TUBO DE. | PIPE, R.H. | ROHR R. |
| | 14 | 1.34446 | 1° TUBO S. RETRAZIONE ASPO | TUBE G. | TUBO IZ. | PIPE, L.H. | ROHR L. |
| | 15 | 621.0818 | VITE | VIS | TORNILLO | SCREW | SCHRAUBE |
| | 16 | 358.100 | GUARNIZIONE | JOINT | JUNTA | O-RING | O-RING |
| | 17 | 1.35486 | RACCORDO | RACCORD | RACOR. | UNION | ANSCHLUSS |
| | 18 | 1.34428 | 3° TUBO COLLEGAM. MARTINETTI | TUBE | TUBO | PIPE | ROHR |
| | 19 | 1.16938 | RACCORDO DI GIUNZIONE PER TUBO Ø 8 | RACCORD | RACOR | UNION | ANSCHLUSS |
| | 20 | 1.34458 | RACCORDO PER INNESTO RAPIDO | RACCORD | RACOR | UNION | ANSCHLUSS |
| | 21 | 1.34445 | 2° TUBO S. DI COLLEGAMENTO MARTINETTO | TUBE G. | TUBO IZ. | PIPE, L.H. | ROHR L. |
| | 22 | 1.35771.00 | BLOCCHETTO VALVOLA | BLOC DE CLAPET | BLOQUE VALVULAS | VALVE BLOCK | VENTILBLOCK |
| | 23 | 1.34429 | 2° TUBO DI COLLEGAMENTO MARTINETTI | TUBE | TUBO | PIPE | ROHR |
| | 24 | 1.34416 | TUBO FLESSIBILE | FLEXIBLE | FLEXIBLE | HOSE | SCHLAUCH |
| | 25 | 1.35553 | 4° TUBO DI COLLEGAMENTO MARTINETTI | TUBE | TUBO | PIPE | ROHR |
| | 26 | 1.35550.00 | MARTINETTO S. AVANZAMENTO ASPO | VERIN G. | MARTINETE IZ. | RAM, L.H. | ZYLINDER L. |
| | 27 | 355.61630 | RONDELLA | RONDELLE | ARANDELA | WASHER | SCHLEIBE |
| | 28 | 1.14626 | TAPPO | BOUCHON | TAPON | PLUG | VERSCHLUSS |
| C 0725 | 28 | 1.35769 | TAPPO | BOUCHON | TAPON | PLUG | VERSCHLUSS |
| D 0725 | 29 | 621.0820 | VITE | VIS | TORNILLO | SCREW | SCHRAUBE |
| | 30 | 354.108 | ROSETTA ELASTICA | RONDELLE W | ARANDELA ELASTICA | SPRING WASHER | FEDERSCHEIBE |
| | 31 | 650.108 | DADO | ECROU | TUERCA | NUT | MUTTER |
| | 32 | 621.0624 | VITE | VIS | TORNILLO | SCREW | SCHRAUBE |
| | 33 | 358.150 | GUARNIZIONE | JOINT | JUNTA | O-RING | O-RING |
| | 34 | 1.35485 | VALVOLA | CLAPET | VALVULA | VALVE | VENTIL |
| | 35 | 1.6152.48 | SFIATO | RENIFLARD | RESPIRADERO | BREATHER | ENTLUEFTER |
| | 36 | 1.6152.49 | COPERCHIETTO | COUVERCLE | TAPA | COVER | DECKEL |
| | 37 | 1.32786 | RACCORDO | RACCORD | RACOR | UNION | ANSCHLUSS |

| MODIF. | RIF. | N° ORDIN. | QUANT. | NOTE |
|--------|------|------------|--------|------|
| | 1 | 481.802 | 2 | |
| | 2 | 1.34322 | 1 | |
| | 3 | 1.34426 | 2 | |
| | 4 | 621.0620 | 7 | |
| | 5 | 1.35680 | 1 | |
| | 6 | 1.3784.30 | 16 | |
| | 7 | 1.5722 | 2 | |
| | 8 | 354.106 | 8 | |
| | 9 | 650.106 | 8 | |
| | 10 | 1.35552 | 1 | |
| | 11 | 358.123 | (4) | |
| | 12 | 1.35551.00 | 1 | |
| | 13 | 1.35678 | 1 | |
| | 14 | 1.35679 | 1 | |
| | 15 | 621.0818 | 1 | |
| | 16 | 358.100 | (1) | |
| | 17 | 1.35486 | (1) | |
| | 18 | 1.34428 | 1 | |
| | 19 | 1.16938 | 1 | |
| | 20 | 1.34458 | 2 | |
| | 21 | 1.35677 | 1 | |
| | 22 | 1.35771.00 | 1 | |
| | 23 | 1.34429 | 1 | |
| | 24 | 1.34416 | 1 | |
| | 25 | 1.35553 | 1 | |
| | 26 | 1.35550.00 | 1 | |
| | 27 | 355.61630 | 2 | |
| C 0725 | 28 | 1.14626 | 2 | |
| D 0725 | 28 | 1.35769 | 2 | |
| | 29 | 621.0820 | 1 | |
| | 30 | 354.108 | 2 | |
| | 31 | 650.108 | 1 | |
| | 32 | 621.0624 | 1 | |
| | 33 | 358.150 | (1) | |
| | 34 | 1.35485 | (1) | |
| | 35 | 1.6152.48 | (1) | |
| | 36 | 1.6152.49 | (1) | |
| | 37 | 1.32786 | (4) | |



D 0725 tel.n°5F293670 → L-14626 = 1.35769

C 660

TUBAZIONI AVANZAMENTO ASPO
 TUYAUTERIES D'AVANCEMENT RABATTEUR
 TUBOS AVANCE MOLINETE
 ADVANCEMENT REEL TUBINGS
 OELLEITUNGEN FUBR LAENGSVRLAEGUNG DER HASPEL

Q 24 H

5F750A18

6/1984

| MODIF. | RIF. | N° ORDIN. | DENOMINAZIONE | DESIGNATION | DENOMINACIONES | DESCRIPTION | BENENNUNG | |
|--------|------|-----------|---------------|------------------------------------|----------------|--------------------|---------------|--------------|
| | | 1 | 481.802 | FASCETTA | COLLIER | COLLAR | CLAMP | SCHELLE |
| | | 2 | 1.34322 | TUBO FLESSIBILE | FLEXIBLE | FLEXIBLE | HOSE | SCHLAUCH |
| | | 3 | 1.34426 | TUBO FLESSIBILE | FLEXIBLE | FLEXIBLE | HOSE | SCHLAUCH |
| | | 4 | 621.0620 | VITE | VIS | TORNILLO | SCREW | SCHRAUBE |
| | | 5 | 1.35680 | 1° TUBO D. AVANZ. ASPO | TUBE | TUBE | PIPE | ROHR |
| | | 6 | 1.3784.30 | BRIGLIA | BRIDE | BRIDA | CLAMP | SCHELLE |
| | | 7 | 1.5722 | FASCETTA | COLLIER | COLLAR | CLAMP | SCHELLE |
| | | 8 | 354.106 | ROSETTA ELASTICA | RONDELLE W | ARANDELA ELASTICA | SPRING WASHER | FEDERSCHEIBE |
| | | 9 | 650.106 | DADO | ECROU | TUERCA | NUT | MUTTER |
| | | 10 | 1.35552 | 2° TUBO D. ESTENSIONE MARTINETTO | TUBE | TUBO | PIPE | ROHR |
| | | 11 | 358.123 | GUARNIZIONE | JOINT | JUNTA | O.RING | O-RING |
| | | 12 | 1.35551.00 | MARTINETTO D. AVANZ. ASPO | VERIN D. | MARTINETE DE. | RAM, R.H. | ZYLINDER R. |
| | | 13 | 1.35678 | 1° TUBO D. DI COLLEGAMENTO | TUBE D. | TUBO DE. | PIPE, R.H. | ROHR R. |
| | | 14 | 1.35679 | 1° TUBO S. RETRAZIONE ASPO | TUBE G. | TUBO IZ. | PIPE, L.H. | ROHR L. |
| | | 15 | 621.0818 | VITE | VIS | TORNILLO | SCREW | SCHRAUBE |
| | | 16 | 358.100 | GUARNIZIONE | JOINT | JUNTA | O.RING | O-RING |
| | | 17 | 1.35486 | RACCORDO | RACCORD | RACOR | UNION | ANSCHLUSS |
| | | 18 | 1.34428 | 3° TUBO COLLEGAM. MARTINETTI | TUBE | TUBO | PIPE | ROHR |
| | | 19 | 1.16938 | RACCORDO DI GIUNZ. PER TUBO Ø 8 | RACCORD | RACOR | UNION | ANSCHLUSS |
| | | 20 | 1.34458 | RACCORDO PER INNESTO RAPIDO | RACCORD | RACOR | UNION | ANSCHLUSS |
| | | 21 | 1.35677 | 2° TUBO S. DI COLLEGAM. MARTINETTO | TUBE | TUBO | PIPE | ROHR |
| | | 22 | 1.35771.00 | BLOCCETTO VALVOLA | BLOC DE CLAPET | BLOQUE DE VALVULAS | VALVE BLOCK | VENTILBLOCK |
| | | 23 | 1.34429 | 2° TUBO DI COLLEGAM. MARTINETTI | TUBE | TUBO | PIPE | ROHR |
| | | 24 | 1.34416 | TUBO FLESSIBILE | FLEXIBLE | FLEXIBLE | HOSE | SCHLAUCH |
| | | 25 | 1.35553 | 4° TUBO DI COLLEGAM. MARTINETTI | TUBE | TUBO | PIPE | ROHR |
| | | 26 | 1.35550.00 | MARTINETTO S. AVANZ. ASPO | VERIN G. | MARTINETE IZ. | RAM, L.H. | ZYLINDER L. |
| | | 27 | 355.61630 | RONDELLA | RONDELLE | ARANDELA | WASHER | SCHEIBE |
| C 0725 | | 28 | 1.14626 | TAPPO | BOUCHON | TAPON | PLUG | VERSCHLUSS |
| D 0725 | | 28 | 1.35769 | TAPPO | BOUCHON | TAPON | PLUG | VERSCHLUSS |
| | | 29 | 621.0820 | VITE | VIS | TORNILLO | SCREW | SCHRAUBE |
| | | 30 | 354.108 | ROSETTA ELASTICA | RONDELLE W | ARANDELA ELASTICA | SPRING WASHER | FEDERSCHEIBE |
| | | 31 | 650.108 | DADO | ECROU | TUERCA | NUT | MUTTER |
| | | 32 | 621.0624 | VITE | VIS | TORNILLO | SCREW | SCHRAUBE |
| | | 33 | 358.150 | GUARNIZIONE | JOINT | JUNTA | O.RING | O-RING |
| | | 34 | 1.35485 | VALVOLA | CLAPET | VALVULA | VALVE | VENTIL |
| | | 35 | 1.6152.48 | SFIATO | RENIFLARD | RESPIRADERO | BREATHER | ENTLUEFTER |
| | | 36 | 1.6152.49 | COPERCHIETTO | COUVERCLE | TAPA | COVER | DECKEL |
| | | 37 | 1.32786 | RACCORDO | RACCORD | RACOR | UNION | ANSCHLUSS |

| MODIF. | RIF. | N° ORDIN. | QUANT. | NOTE |
|--------|------|-----------|--------|------|
| | 1 | 1.14740 | (1) | |
| | 2 | 653.612 | (1) | |
| | 3 | 1.13973 | (2) | |
| | 4 | 358.109 | (1) | |
| | 5 | 1.14818 | (1) | |
| | 6 | 358.7131 | (1) | |
| | 7 | 1.30998 | (1) | |
| | 8 | 357.032 | (2) | |
| | 9 | 1.13972 | (1) | |
| | 10 | 358.158 | (1) | |
| | 11 | 358.7122 | (1) | |
| | 12 | 358.7100 | (1) | |
| | 13 | 650.216 | (1) | |
| | 15 | 485.342 | (1) | |

| | | |
|----------------------------------------------|----------------------------------------------------------------------------------------------------------------------------------------------------------------------------------------|---------------|
| C 310 C 360 C 420 | MARTINEFTI AVANZAMENTO ASPO VÉRIN D'AVANCEMENT RABATTEUR MARTINETE ADELANTO MOLINETE RAMS FOR REEL FORE AND AFT POSITION HYDRAULIKZYLINDER FUERLAENGSVERLAEGUNG DER HASPEL | Q 25 A |
| 2/1983 | | 1.30738.00 |

| MODIF. | RIF. | N° ORDIN. | DENOMINAZIONE | DESIGNATION | DENOMINACIONES | DESCRIPTION | BENENNUNG |
|--------|------|-----------|-------------------|-----------------|-----------------|-------------|-----------------|
| | 1 | 1.1.14740 | ESTREMITA' STELO | EXTREMITE | EXTREMIDAD | RAM END | KOLBENENDE |
| | 2 | 653.612 | DADO | ECROU | TUERCA | NUT | MUTTER |
| | 3 | 1.13973 | RONDELLA | RONDELLE | ARANDELA | WASHER | SCHEIBE |
| | 4 | 358.109 | GUARNIZIONE | JOINT | JUNTA | O.RING | O-RING |
| | 5 | 1.14818 | STANTUFFO | PISTON | EMBOLO | PISTON | KOLBEN |
| | 6 | 358.7131 | GUARNIZIONE | JOINT | JUNTA | SEAL | RADIALDICHRING |
| | 7 | 1.30998 | STELO | TIGE DE PISTON | VASTAGO | PISTON ROD | KOLBENSTANGE |
| | 8 | 357.032 | ANELLO ELASTICO | CIRCLIPS | ANILLO ELASTICO | CIRCLIP | SICHERUNGSRING |
| | 9 | 1.13972 | TESTA | TETE | CABEZA | HEAD | KOPF |
| | 10 | 358.158 | GUARNIZIONE | JOINT | JUNTA | O.RING | O-RING |
| | 11 | 358.7122 | GUARNIZIONE | JOINT | JUNTA | SEAL | RADIALDICHRING |
| | 12 | 358.7100 | GUARNIZIONE | JOINT | JUNTA | SEAL | RADIALDICHRING |
| | 13 | 650.216 | DADO | ECROU | TUERCA | NUT | MUTTER |
| | 15 | 485.342 | SERIE GUARNIZIONI | POCHETTE JOINTS | SERIE DE JUNTAS | SEALS SET | SATZ DICHTUNGEN |

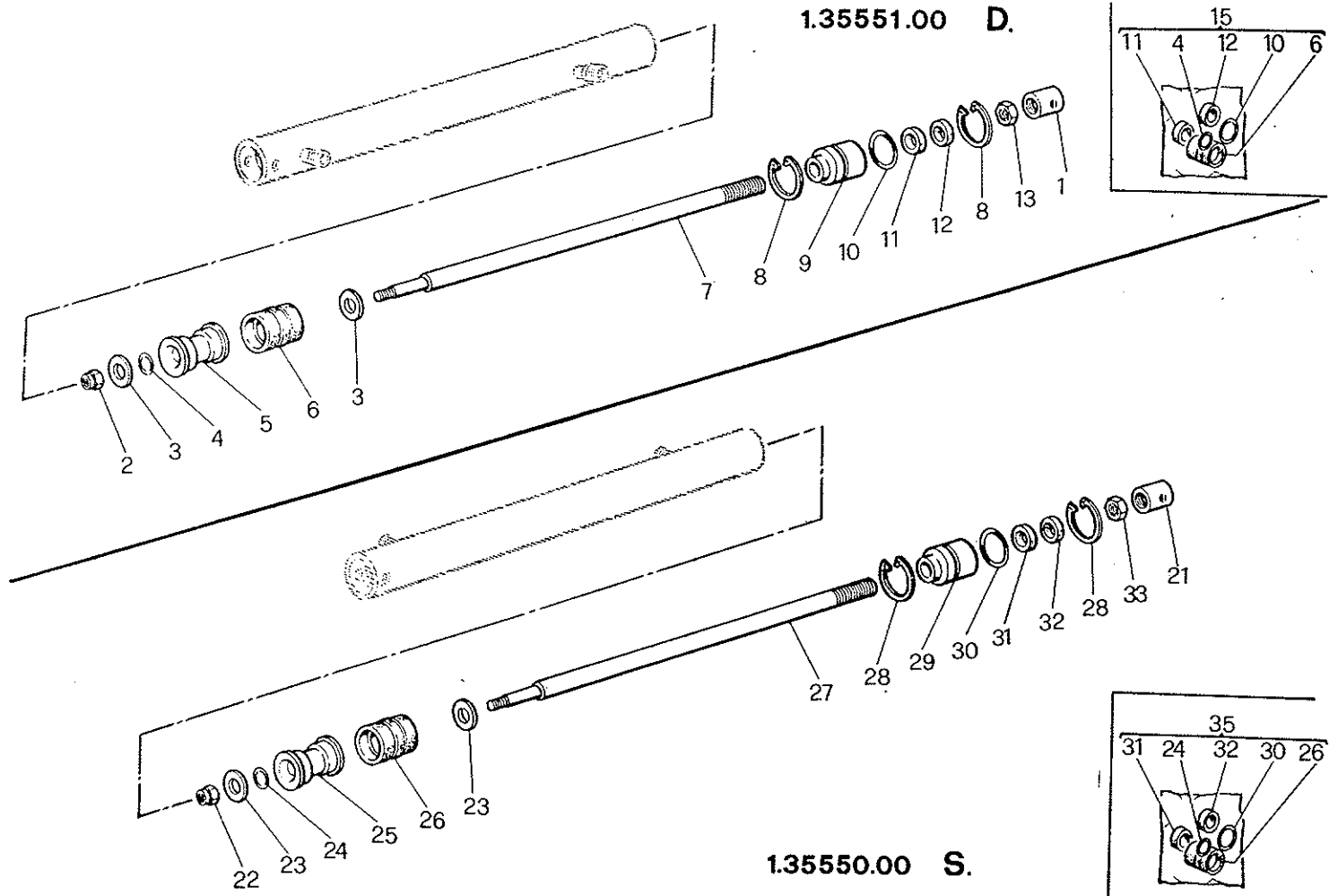
| MODIF. | RIF. | N° ORDIN. | QUANT. | NOTE |
|--------|------|-----------|--------|------|
|--------|------|-----------|--------|------|

MARTINETTO DESTRO 1.35551.00
 VERIN DROIT - MARTINETE DERECHO
 RAM, R.H. - HUBZYLINDER RECHTS

| | | |
|----|----------|-----|
| 1 | 1.14740 | (1) |
| 2 | 653.612 | (1) |
| 3 | 1.13973 | (2) |
| 4 | 358.109 | (1) |
| 5 | 1.14818 | (1) |
| 6 | 358.7131 | (1) |
| 7 | 1.32783 | (1) |
| 8 | 357.032 | (2) |
| 9 | 1.13972 | (1) |
| 10 | 358.158 | (1) |
| 11 | 358.7122 | (1) |
| 12 | 358.7100 | (1) |
| 13 | 650.216 | (1) |
| 15 | 485.342 | (1) |

MARTINETTO SINISTRO 1.35550.00
 VERIN GAUCHE - MARTINETE IZQUIERDO
 RAM, L.H. - HUBZYLINDER LINKS

| | | |
|----|----------|-----|
| 21 | 1.14740 | (1) |
| 22 | 653.612 | (1) |
| 23 | 1.13973 | (2) |
| 24 | 358.109 | (1) |
| 25 | 1.14818 | (1) |
| 26 | 358.7131 | (1) |
| 27 | 1.30998 | (1) |
| 28 | 357.032 | (2) |
| 29 | 1.13972 | (1) |
| 30 | 358.158 | (1) |
| 31 | 358.7122 | (1) |
| 32 | 358.7100 | (1) |
| 33 | 650.216 | (1) |
| 35 | 485.342 | (1) |



C 480
C 540
C 600
C 660

2/1983

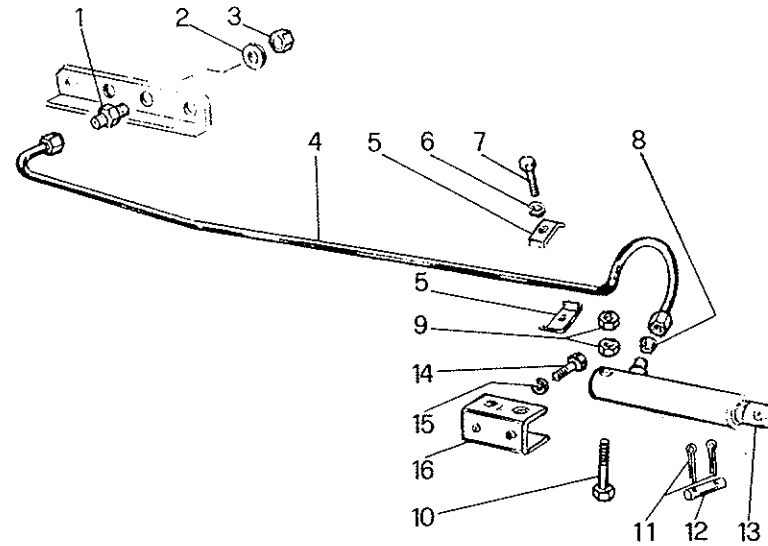
MARTINETTI AVANZAMENTO ASPO
 VÉRIN D'AVANCEMENT RABATTEUR
 MARTINETE ADELANTO MOLINETE
 RAMS FOR REEL FORE AND AFT POSITION
 HYDRAULIKZYLINDER FUERLAENGVERLAEGUNG DER HASPEL

Q 25 B

1.35551.00
 1.35550.00

| MODIF. | RIF. | N° ORDIN. | DENOMINAZIONE | DESIGNATION | DENOMINACIONES | DESCRIPTION | BENENNUNG |
|--------|------|-----------|-------------------|-----------------|-----------------|-------------|-----------------|
| | 1 | 1.14740 | ESTREMITA' STELO | EXTREMITE | EXTREMIDAD | RAM END | KOLBENENDE |
| | 2 | 653.612 | DADO | ECROU | TUERCA | NUT | MUTTER |
| | 3 | 1.13973 | RONDELLA | RONDELLE | ARANDELA | WASHER | SCHEIBE |
| | 4 | 358.109 | GUARNIZIONE | JOINT | JUNTA | O.RING | O-RING |
| | 5 | 1.14818 | STANTUFFO | PISTON | EMBOLO | PISTON | KOLBEN |
| | 6 | 358.7131 | GUARNIZIONE | JOINT | JUNTA | SEAL | RADIALDICHTRING |
| | 7 | 1.32783 | STELO | TIGE DE PISTON | VASTAGO | PISTON ROD | KOLBENSTANGE |
| | 8 | 357.032 | ANELLO ELASTICO | CIRCLIPS | ANILLO ELASTICO | CIRCLIP | SICHERUNGSRING |
| | 9 | 1.13972 | TESTA | TETE | CABEZA | HEAD | KOPF |
| | 10 | 358.158 | GUARNIZIONE | JOINT | JUNTA | O.RING | O-RING |
| | 11 | 358.7122 | GUARNIZIONE | JOINT | JUNTA | SEAL | RADIALDICHTRING |
| | 12 | 358.7100 | GUARNIZIONE | JOINT | JUNTA | SEAL | RADIALDICHTRING |
| | 13 | 650.216 | DADO | ECROU | TUERCA | NUT | MUTTER |
| | 15 | 485.342 | SERIE GUARNIZIONI | POCHETTE JOINTS | SERIE DE JUNTAS | SEALS SET | SATZ DICHTUNGEN |
| | 21 | 1.14740 | ESTREMITA' STELO | EXTREMITE | EXTREMIDAD | RAM END | KOLBENENDE |
| | 22 | 653.612 | DADO | ECROU | TUERCA | NUT | MUTTER |
| | 23 | 1.13973 | RONDELLA | RONDELLE | ARANDELA | WASHER | SCHEIBE |
| | 24 | 358.109 | GUARNIZIONE | JOINT | JUNTA | O.RING | O-RING |
| | 25 | 1.14818 | STANTUFFO | PISTON | EMBOLO | PISTON | KOLBEN |
| | 26 | 358.7131 | GUARNIZIONE | JOINT | JUNTA | SEAL | RADIALDICHTRING |
| | 27 | 1.30998 | STELO | TIGE DE PISTON | VASTAGO | PISTON ROD | KOLBENSTANGE |
| | 28 | 357.032 | ANELLO ELASTICO | CIRCLIPS | ANILLO ELASTICO | CIRCLIP | SICHERUNGSRING |
| | 29 | 1.13972 | TESTA | TETE | CABEZA | HEAD | KOPF |
| | 30 | 358.158 | GUARNIZIONE | JOINT | JUNTA | O.RING | O-RING |
| | 31 | 358.7122 | GUARNIZIONE | JOINT | JUNTA | SEAL | RADIALDICHTRING |
| | 32 | 358.7100 | GUARNIZIONE | JOINT | JUNTA | SEAL | RADIALDICHTRING |
| | 33 | 650.216 | DADO | ECROU | TUERCA | NUT | MUTTER |
| | 35 | 485.342 | SERIE GUARNIZIONI | POCHETTE JOINTS | SERIE DE JUNTAS | SEALS SET | SATZ DICHTUNGEN |

| MODIF. | RIF. | N° ORDIN. | QUANT. | NOTE |
|--------|------|------------|--------|------|
| | 1 | 1.34458 | 1 | |
| | 2 | 355.61630 | 1 | |
| C 0725 | 3 | 1.14626 | 1 | |
| D 0725 | 3 | 1.35769 | 1 | |
| | o 4 | 1.25790 | 1 | |
| | • 4 | 1.31977 | 1 | |
| | x 4 | 1.31972 | 1 | |
| | 5 | 1.3784.30 | 2 | |
| | 6 | 354.106 | 1 | |
| | 7 | 621.0616 | 1 | |
| | 8 | 1.16959 | 1 | |
| | 9 | 650.214 | 2 | |
| | 10 | 611.1434 | 1 | |
| | 11 | 377.320 | 2 | |
| | 12 | 379.372 | 1 | |
| | 13 | 1.13365.00 | 1 | |
| | 14 | 621.1016 | 2 | |
| | 15 | 354.110 | 2 | |
| | 16 | 1.35531 | 1 | |



D 0725 tel. n° 5F223663 - 5F233440 - 5F243490 → 1.14626 = 1.35769

C 310
C 360
C 420

TUBAZIONI VARIATORE ASPO
TUYAUTERIES VARIATEUR RABATTEUR
CANERIAS VARIADOR MOLINETE
TUBING REEL VARIATOR
HASPELVARIATOR RHORE

Q 26 A

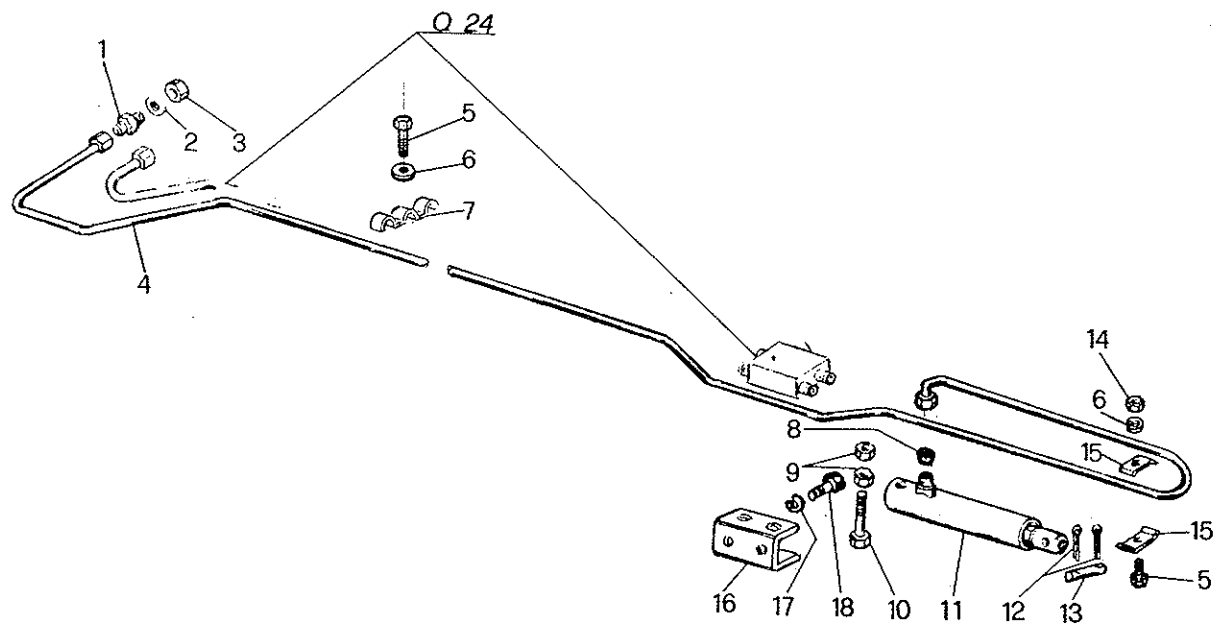
o5F750E04
•5F750E06
x5F750E10

o = C 310
• = C 360
x = C 420

6/1984

| MODIF | RIF | N° ORDIN. | DENOMINAZIONE | DESIGNATION | DENOMINACIONES | DESCRIPTION | BENENNUNG |
|--------|-----|-----------|-----------------------------|-------------|-------------------|---------------|--------------|
| | | 1 | RACCORDO | RACCORD | RACOR | UNION | ANSCHLUSS |
| | | 2 | RONDELLA | RONDELLE | ARANDELA | WASHER | SCHEIBE |
| C 0725 | | 3 | TAPPO | BOUCHON | TAPON | PLUG | VERSCHLUSS |
| D 0725 | | 3 | TAPPO | BOUCHON | TAPON | PLUG | VERSCHLUSS |
| | | 4 | TUBO COMANDO MARTINETTO | TUBE | TUBO | PIPE | ROHR |
| | | 4 | TUBO COMANDO MARTINETTO | TUBE | TUBO | PIPE | ROHR |
| | | 4 | TUBO COMANDO MARTINETTO | TUBE | TUBO | PIPE | ROHR |
| | | 5 | BRIGLIA | BRIDE | BRIDA | CLAMP | SHELLE |
| | | 6 | ROSETTA ELASTICA | RONDELLE W | ARANDELA ELASTICA | SPRING WASHER | FEDERSCHEIBE |
| | | 7 | VITE | VIS | TORNILLO | SCREW | SCHRAUBE |
| | | 8 | BOCCOLA DI RIDUZIONE | BAGUE | CASQUILLO | BUSH | BUECHSE |
| | | 9 | DADO | ECROU | TUERCA | NUT | MUTTER |
| | | 10 | VITE | VIS | TORNILLO | SCREW | SCHRAUBE |
| | | 11 | COPIGLIA | GOUPILLE | PASADOR ABIERTO | COTTER PIN | SPLINT |
| | | 12 | SPINA | AXE | PASADOR | PIN | STIFT |
| | | 13 | COMPL. MARTINETTO VARIATORE | VERIN CPT | CONJ. MARTINETE | RAM, ASSY | ZYLINDER KPL |
| | | 14 | VITE | VIS | TORNILLO | SCREW | SCHRAUBE |
| | | 15 | ROSETTA ELASTICA | RONDELLE W | ARANDELA ELASTICA | SPRING WASHER | FEDERSCHEIBE |
| | | 16 | SUPPORTO MARTINETTO | SUPPORT | SOPORTE | SUPPORT | HALTERUNG |

| MODIF. | RIF. | N° ORDIN. | QUANT. | NOTE |
|--------|------|------------|--------|------|
| | 1 | 1.34458 | 1 | |
| | 2 | 355.61630 | 1 | |
| C 0725 | 3 | 1.14626 | 1 | |
| D 0725 | 3 | 1.35769 | 1 | |
| | o 4 | 1.34434 | 1 | |
| | • 4 | 1.34442 | 1 | |
| | x 4 | 1.34442 | 1 | |
| | + 4 | 1.35684 | 1 | |
| | 5 | 621.0616 | 2 | |
| | 6 | 354.106 | 2 | |
| | 7 | 1.36708 | 1 | |
| | 8 | 1.16959 | 1 | |
| | 9 | 650.214 | 2 | |
| | 10 | 611.1434 | 1 | |
| | 11 | 1.13365.00 | 1 | |
| | 12 | 377.320 | 2 | |
| | 13 | 379.372 | 1 | |
| | 14 | 650.106 | 1 | |
| | 15 | 1.3784.30 | 2 | |
| | 16 | 1.35531 | 1 | |
| | 17 | 354.110 | 2 | |
| | 18 | 621.1016 | 2 | |



D 0725 tel. n° 5F253505 - 5F273662 - 5F283665 - 5F293670 → 1.14626 = 1.35769

C 480
C 540
C 600
C 660

TUBAZIONI VARIATORE ASPO
TUYAUTERIES VARIATEUR RABATTEUR
CANERIAS VARIADOR MOLINETE
TUBING REEL VARIATOR
HASPELVARIATOR RHORE

Q 26 B

o5F750E12
•5F750E14
x5F750E16
+5F750E18

6/1984

o = C 480
• = C 540
x = C 600
+ = C 660

Q 26 B

LAVERDA

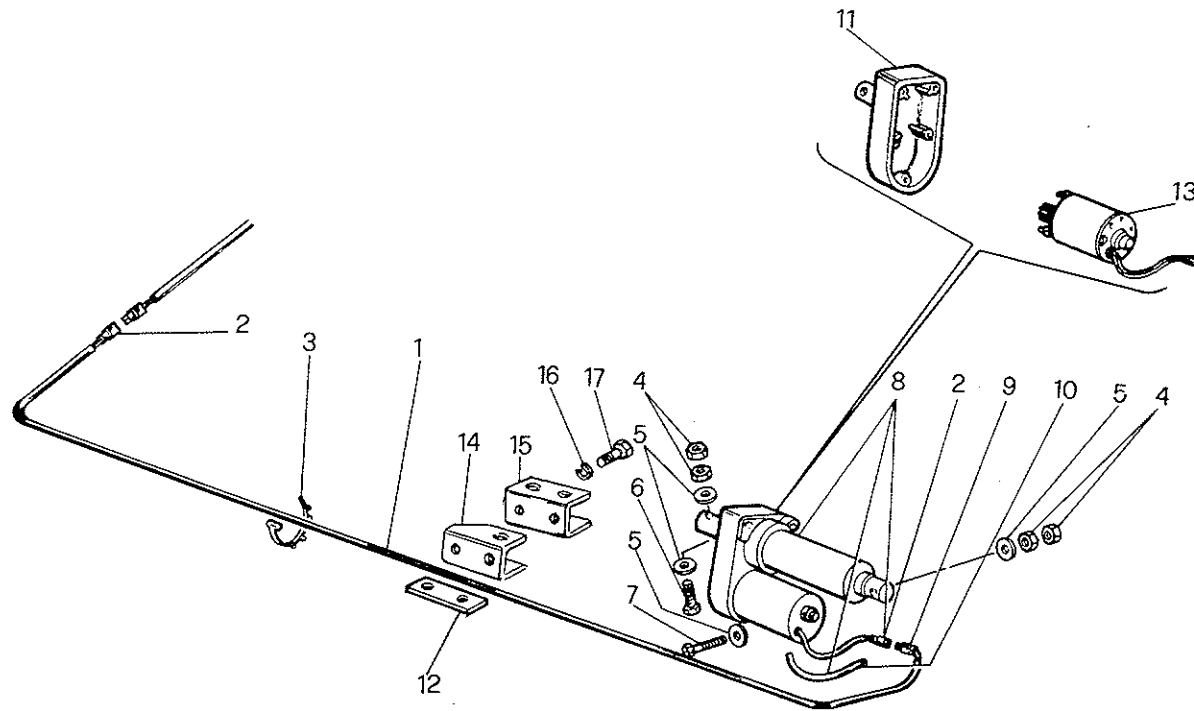
| MODIF. | RIF. | N° ORDIN. | DENOMINAZIONE | DESIGNATION | DENOMINACIONES | DESCRIPTION | BENENNING |
|--------|------|------------|-----------------------------|-------------|-------------------|---------------|--------------|
| | 1 | 1.34458 | RACCORDO | RACCORD | RACOR | UNION | ANSCHLUSS |
| | 2 | 355.61630 | RONDELLA | RONDELLE | ARANDELA | WASHER | SCHEIBE |
| C 0725 | 3 | 1.14626 | TAPPO | BOUCHON | TAPON | PLUG | VERSCHLUSS |
| D 0725 | 3 | 1.35769 | TAPPO | BOUCHON | TAPON | PLUG | VERSCHLUSS |
| | 4 | 1.34434 | TUBO COMANDO MARTINETTO | TUBE | TUBO | PIPE | ROHR |
| | 4 | 1.34442 | TUBO COMANDO MARTINETTO | TUBE | TUBO | PIPE | ROHR |
| | 4 | 1.35684 | TUBO COMANDO MARTINETTO | TUBE | TUBO | PIPE | ROHR |
| | 5 | 621.0616 | VITE | VIS | TORNILLO | SCREW | SCHRAUBE |
| | 6 | 354.106 | ROSETTA ELASTICA | RONDELLE W | ARANDELA ELASTICA | SPRING WASHER | FEDERSCHEIBE |
| | 7 | 1.36708 | BRIGLIA | BRIDE | BRIDA | CLAMP | SHELLE |
| | 8 | 1.16959 | BOCCOLA DI RIDUZIONE | BAGUE | CASQUILLO | BUSH | BUECHSE |
| | 9 | 650.214 | DADO | ECROU | TUERCA | NUT | MUTTER |
| | 10 | 611.1434 | VITE | VIS | TORNILLO | SCREW | SCHRAUBE |
| | 11 | 1.13365.00 | COMPL. MARTINETTO VARIATORE | VERIN CPT | CONJ. MARTINETE | RAM, ASSY | ZYLINDER KPL |
| | 12 | 377.320 | COPIGLIA | GOUPILLE | PASADOR ABIERTO | COTTER PIN | PSLINT |
| | 13 | 379.372 | SPINA | AXE | PASADOR | PIN | STIFT |
| | 14 | 650.106 | DADO | ECROU | TUERCA | NUT | MUTTER |
| | 15 | 1.3784.30 | BRIGLIA | BRIDE | BRIDA | CLAMP | SHELLE |
| | 16 | 1.35531 | SUPPORTO MARTINETTO | SUPPORT | SOPORTE | SUPPORT | HALTERUNG |
| | 17 | 354.110 | ROSETTA ELASTICA | RONDELLE W | ARANDELA ELASTICA | SPRING WASHER | FEDERSCHEIBE |
| | 18 | 621.1016 | VITE | VIS | TORNILLO | SCREW | SCHRAUBE |

| MODIF. | RIF. | N° ORDIN. | QUANT. | NOTE |
|--------|------|-----------|--------|------|
| | 1 | 1.12546 | (1) | |
| | 2 | 1.12785 | (1) | |
| | 3 | 358.7105 | (2) | |
| | 4 | 358.137 | (1) | |
| | 5 | 1.12815 | (1) | |
| | 6 | 358.7109 | (1) | |
| | 7 | 1.9412 | (1) | |
| | 8 | 357.037 | (1) | |
| | 9 | 650.216 | (1) | |
| | 11 | 485.304 | (1) | |

| | | |
|--------------------------------------------------------------------------------|--------------------------------------------------------------------------------------------------------------------------------------------------------------------|-------------|
| C 310 C 480 C 360 C 540 C 420 C 600 C 660 | MARTINETTO VARIATORE ASPO VERIN VARIATEUR RABATTEUR MARTINETE VARIADOR MOLINETE REEL VARIATOR HYDRAULIC CYLINDER HYDRAULIKZYLINDER FUER HASPELVARIATOR | Q 27 |
| 2/1983 | | 1.13365.00 |

| MODIF. | RIF. | N° ORDIN. | DENOMINAZIONE | DESIGNATION | DENOMINACIONES | DESCRIPTION | BENENNUNG |
|--------|------|-----------|----------------------|-----------------|-----------------|-------------|-----------------|
| | 1 | 1.12546 | ESTREMITA' STELO | EXTREMITE | EXTREMIDAD | RAM ENDE | KOLBENENDE |
| | 2 | 1.12785 | STELO | TIGE DE PISTON | VASTAGO | PISTON ROD | KOLBENSTANGE |
| | 3 | 358.7105 | GUARNIZIONE | JOINT | JUNTA | SEAL | RADIALDICHTRING |
| | 4 | 358.137 | GUARNIZIONE | JOINT | JUNTA | O.RING | O-RING |
| | 5 | 1.12815 | TESTA | TETE | CABEZA | HEAD | KOPF |
| | 6 | 358.7109 | PARAPOLVERE | PARE-POUSSIERE | PARA-POLVO | DUST SEAL | STANBSCHUTZ |
| | 7 | 1.9412 | RONDELLA PARAPOLVERE | RONDELLE | ARANDELA | WASHER | SCHEIBE |
| | 8 | 357.037 | ANELLO ELASTICO | CIRCLIPS | ANILLO ELASTICO | CIRCLIP | SICHERUNGSRING |
| | 9 | 650.216 | DADO | ECROU | TUERCA | NUT | MUTTER |
| | 11 | 485.304 | SERIE GUARNIZIONI | POCHETTE JOINTS | SERIE DE JUNTAS | SEALS SET | SATZ DICHTUNGEN |

| MODIF. | RIF. | N° ORDIN. | QUANT. | NOTE |
|--------|------|------------|--------|------|
| | + 1 | 1.14959.00 | 1 | |
| | x 1 | 1.14960.00 | 1 | |
| | o 1 | 1.14961.00 | 1 | |
| | • 1 | 1.14962.00 | 1 | |
| | 2 | 481.4163 | (1) | |
| | 3 | 481.802 | 7 | |
| | 4 | 650.212 | 4 | |
| | 5 | 355.01330 | 4 | |
| | 6 | 611.1234 | 1 | |
| | 7 | 611.1228 | 1 | |
| | 8 | 1.29369.01 | 1 | |
| | 9 | 481.4162 | (1) | |
| | 10 | 1.14966 | (1) | |
| | 11 | 1.19333 | (1) | |
| | 12 | 1.25870 | 1 | |
| | 13 | 1.28572.00 | (1) | |
| | *14 | 1.25826 | 1 | |
| | 15 | 1.35531 | 1 | |
| | 16 | 354.110 | 2 | |
| | 17 | 621.1016 | 2 | |



* = C 310
+ = C 310 - C 360
x = C 420
o = C 480 - C 540
• = C 600 - C 660

C 310 C 480
C 360 C 540
C 420 C 600
C 660

6/1984

COMANDO VARIATORE ASPO
COMMANDE VARIATEUR RABATTEUR
MANDO VARIADOR MOLINETE
REEL VARIATOR DRIVE
HASPELVARIATORANTRIEB

Q 28

5F750E23
5F750E27
5F750E31
5F750E35

| MODIF. | RIF. | N° ORDIN. | DENOMINAZIONE | DESIGNATION | DENOMINACIONES | DESCRIPTION | BENENNUNG |
|--------|------|------------|-----------------------------|--------------------|-------------------|-------------------|--------------------|
| | 1 | 1.14959.00 | CAVO INF. ATTUATORE | CABLE | CABLE | CABLE | KABEL |
| | 1 | 1.14960.00 | CAVO INF. ATTUATORE | CABLE | CABLE | CABLE | KABEL |
| | 1 | 1.14961.00 | CAVO INF. ATTUATORE | CABLE | CABLE | CABLE | KABEL |
| | 1 | 1.14962.00 | CAVO INF. ATTUATORE | CABLE | CABLE | CABLE | KABEL |
| | 2 | 481.4163 | BLOCCETTO A 2 VIE | PRISE MALE | PRISE MACHO | TERMINAL MALE | STECKER |
| | 3 | 481.802 | FASCETTA | COLLIER | COLLAR | CLAMP | SHELLE |
| | 4 | 650.212 | DADO | ECROU | TUERCA | NUT | MUTTER |
| | 5 | 355.01330 | RONDELLA | RONDELLE | ARANDELA | WASHER | SCHLEIBE |
| | 6 | 611.1234 | VITE | VIS | TORNILLO | SCREW | SCHRAUBE |
| | 7 | 611.1228 | VITE | VIS | TORNILLO | SCREW | SCHRAUBE |
| | 8 | 1.29369.01 | ATTUATORE COMANDO VARIATORE | INTERRUPTEUR | INTERRUPTOR | SWICHT | AKTUATOR |
| | 9 | 481.4162 | BLOCCETTO A 2 VIE | PRISE | PRISE | TERMINAL | STECKER |
| | 10 | 1.14966 | PROTEZIONE CAVO | PROTECTEUR | PROTECCION | GUARD | SCHUTZBLECH |
| | 11 | 1.19333 | CONTENITORE INGRANAGGI | BOITE DE VITESSES | CAJA ENGRANAJES | GEARS BOX | GETRIEBEZAHNRAEDER |
| | 12 | 1.25870 | PIASTRINA | PLAQUETTE | PLANCHUELA | PLATE | PLAETTCHEN |
| | 13 | 1.28572.00 | MOTORE CON PIGNONE | MOTEUR AVEC PIGNON | MOTOR CON PINON | ENGINE WITH PINON | MOTOR MIT RITZEL |
| | 14 | 1.25826 | SUPPORTO ATTUATORE | SUPPORT | SOPORTE | SUPPORT | HALTERUNG |
| | 15 | 1.35531 | SUPPORTO ATTUATORE | SUPPORT | SOPORTE | SUPPORT | HALTERUNG |
| | 16 | 354.110 | ROSETTA ELASTICA | RONDELLE W | ARANDELA ELASTICA | SPRING WASHER | FEDERSCHLEIBE |
| | 17 | 621.1016 | VITE | VIS | TORNILLO | SCREW | SCHRAUBE |

| MODIF. | RIF. | N° ORDIN. | QUANT. | NOTE | | | |
|--------|------|-----------|--------|------|--------------------------------------------------------------------------------|---------------------------------------------------------|-------------------------------------|
| | 1 | 443.003 | 2 | | | | |
| | 2 | 1.5644 | 5 | | | | |
| | 3 | 1.29698 | 3 | | | | |
| | 4 | 1.29659 | 4 | | | | |
| | 5 | 1.8961.30 | 2 | | | | |
| | 6 | 356.058 | 4 | | | | |
| | 7 | 1.20563 | 1 | | | | |
| | 8 | 611.1032 | 1 | | | | |
| | 9 | 650.110 | 1 | | | | |
| | 10 | 650.210 | 1 | | | | |
| | | | | | C 310 C 480 C 360 C 540 C 420 C 600 C 660 | DOTAZIONE DOTATION DOTACION TOOLS ZUBEHOERE | Q 29 5F790A10 5F790A00 |
| | | | | | 2/1983 | | |

| MODIF. | RIF. | N° ORDIN. | DENOMINAZIONE | DESIGNATION | DENOMINACIONES | DESCRIPTION | BENENNUNG |
|--------|------|-----------|----------------------|-------------------|-------------------|------------------|-------------------|
| | 1 | 443.003 | SEZIONE DI LAMA | SECTION FAUCILLEE | SEGMENTO CUCHILLA | KNIFE SECTION | MESSERKLINGE |
| | 2 | 1.5644 | NOCE DITO | NOIX DE DOIGT | NUEZ DEL DIENTE | BEARING, FINGER | LAGERFINGER |
| | 3 | 1.29698 | DITO ARTICOLATO | DOIGT | DIENTE | AUGER FINGER | FINGER |
| | 4 | 1.29659 | SEMIBOCCOLA SUPPORTO | DEMI-BAGUE | SEMI-COJINETE | HALF-BEARING | HAELFTBUECHSE |
| | 5 | 1.8961.30 | DENTE PARALAMA | DOIGT DE LAME | DIENTE | CUTTERBAR FINGER | SCHNEIDWERKFINGER |
| | 6 | 356.058 | RONDELLA ELASTICA | RONDELLE W | ARANDELA ELASTICA | SPRING WASHER | FEDERSCHEIBE |
| | 7 | 1.20563 | RONDELLA | RONDELLE | ARANDELA | WASHER | SCHEIBE |
| | 8 | 611.1032 | VITE | VIS | TORNILLO | SCREW | SCHRAUBE |
| | 9 | 650.110 | DADO | ECROU | TUERCA | NUT | MUTTER |
| | 10 | 650.210 | DADO | ECROU | TUERCA | NUT | MUTTER |

| MODIF. | RIF. | N° ORDIN. | QUANT. | NOTE |
|--------|------|-----------|--------|-------|
| | 1 | 1.15189 | 1 | C 310 |
| | 1 | 1.15190 | 1 | C 360 |
| | 1 | 1.15192 | 1 | C 420 |
| | 1 | 1.15193 | 1 | C 480 |
| | 1 | 1.15194 | 1 | C 540 |
| | 1 | 1.15195 | 1 | C 600 |
| | 1 | 1.15196 | 1 | C 660 |
| | 2 | 443.002 | - | |

| | | |
|--------------------------------------------------------------------------------|------------------------------------------------------------------------------------------------------------------------------------------------------------------------|-------------------------------------------------------------------------------------------------------|
| C 310 C 480 C 360 C 540 C 420 C 600 C 660 | LAMA DI TAGLIO A SEZIONI LISCE LAME DE COUPE A SECTION LISSE CUCHILLA A SECCIONES LISA CUTTER BAR WITH SMOOTH KNIFE SECTIONS MAEHBALKEN MIT GLATEN KLINGEN | Q 30 A 5F150B04 5F150B12 5F150B06 5F150B14 5F150B08 5F150B16 5F150B18 |
| 2/1983 | | |

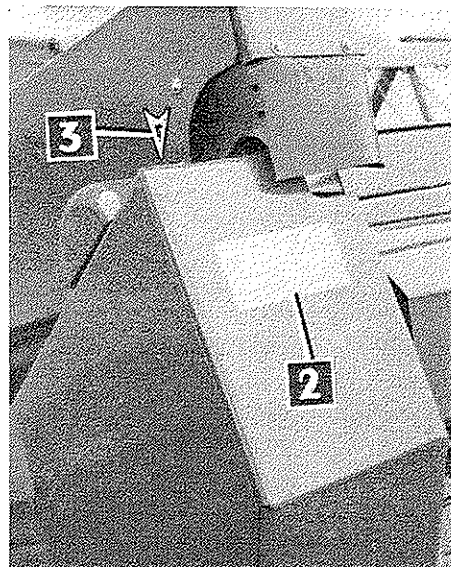
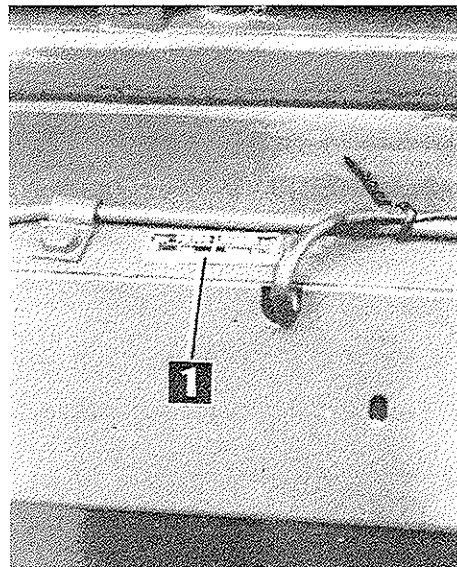
| MODIF. | RIF. | N° ORDIN. | DENOMINAZIONE | DESIGNATION | DENOMINACIONES | DESCRIPTION | BENENNUNG |
|--------|------|-----------|---------------------|-------------------|-------------------|---------------|--------------|
| | 1 | 1.15189 | LAMA DI TAGLIO | LAME DE COUPE | CUCHILLA | KNIFE | MAEHMESSER |
| | 1 | 1.15190 | LAMA DI TAGLIO | LAME DE COUPE | CUCHILLA | KNIFE | MAEHMESSER |
| | 1 | 1.15192 | LAMA DI TAGLIO | LAME DE COUPE | CUCHILLA | KNIFE | MAEHMESSER |
| | 1 | 1.15193 | LAMA DI TAGLIO | LAME DE COUPE | CUCHILLA | KNIFE | MAEHMESSER |
| | 1 | 1.15194 | LAMA DI TAGLIO | LAME DE COUPE | CUCHILLA | KNIFE | MAEHMESSER |
| | 1 | 1.15195 | LAMA DI TAGLIO | LAME DE COUPE | CUCHILLA | KNIFE | MAEHMESSER |
| | 1 | 1.15196 | LAMA DI TAGLIO | LAME DE COUPE | CUCHILLA | KNIFE | MAEHMESSER |
| | 2 | 443.002 | SEZIONE LAMA LISCIA | SECTION FAUCILLEE | SEGMENTO CUCHILLA | KNIFE SECTION | MESSERKLINGE |

| MODIF. | RIF. | N° ORDIN. | QUANT. | NOTE |
|--------|------|-----------|--------|-------|
| | 1 | 1.14585 | 1 | C 310 |
| | 1 | 1.14586 | 1 | C 360 |
| | 1 | 1.14587 | 1 | C 420 |
| | 1 | 1.14588 | 1 | C 480 |
| | 1 | 1.14589 | 1 | C 540 |
| | 1 | 1.14590 | 1 | C 600 |
| | 1 | 1.14591 | 1 | C 660 |
| | 2 | 443.003 | - | |

| | | |
|--------------------------------------------------------------------------------|---------------------------------------------------------------------------------------------------------------------------------------------------------------------------------|-------------------------------------------------------------------------------------------------------|
| C 310 C 480 C 360 C 540 C 420 C 600 C 660 | LAMA DI TAGLIO A SEZIONI RIGATE LAME DE COUPE A SECTION RAINURE CUCHILLA A SECCIONES RIGADA CUTTER BAR WITH SERRATED KNIFE SECTION MAEHBALKEN MIT GEZACKTEN KLINGEN | Q 30 B 5F150B23 5F150B25 5F150B29 5F150B31 5F150B33 5F150B35 5F150B37 |
| 2/1983 | | |

| MODIF. | RIF. | N° ORDIN. | DENOMINAZIONE | DESIGNATION | DENOMINACIONES | DESCRIPTION | BENENNUNG |
|--------|------|-----------|---------------------|-------------------|-------------------|---------------|--------------|
| | 1 | 1.14585 | LAMA DI TAGLIO | LAME DE COUPE | CUCHILLA | KNIFE | MAEHMESSER |
| | 1 | 1.14586 | LAMA DI TAGLIO | LAME DE COUPE | CUCHILLA | KNIFE | MAEHMESSER |
| | 1 | 1.14587 | LAMA DI TAGLIO | LAME DE COUPE | CUCHILLA | KNIFE | MAEHMESSER |
| | 1 | 1.14588 | LAMA DI TAGLIO | LAME DE COUPE | CUCHILLA | KNIFE | MAEHMESSER |
| | 1 | 1.14589 | LAMA DI TAGLIO | LAME DE COUPE | CUCHILLA | KNIFE | MAEHMESSER |
| | 1 | 1.14590 | LAMA DI TAGLIO | LAME DE COUPE | CUCHILLA | KNIFE | MAEHMESSER |
| | 1 | 1.14591 | LAMA DI TAGLIO | LAME DE COUPE | CUCHILLA | KNIFE | MAEHMESSER |
| | 2 | 443.003 | SEZIONE LAMA RIGATA | SECTION FAUCILLEE | SEGMENTO CUCHILLA | KNIFE SECTION | MESSERKLINGE |

| MODIF. | RIF. | N° ORDIN. | QUANT. | NOTE |
|--------|------|-----------|--------|-------|
| | 1 | 479.000 | 1 | |
| | 2 | 478.2163 | 1 | |
| | 3 | 478.301 | 1 | |
| | 4 | 478.319 | 1 | |
| | 5 | 478.019 | 1 | |
| | 6 | 478.1151 | 1 | C 310 |
| | 6 | 478.1145 | 1 | C 360 |
| | 6 | 478.1146 | 1 | C 420 |
| | 6 | 478.1147 | 1 | C 480 |
| | 6 | 478.1148 | 1 | C 540 |
| | 6 | 478.1149 | 1 | C 600 |
| | 6 | 478.1150 | 1 | C 660 |



DECALCOMANIE - DECALCOMANIES - CALCOMANIAS - TRANSFER - ABZIEHBILD

| C 310 | | C 360 | | C 420 | | C 480 | | C 540 | | C 600 | | C 660 | |
|------------|----------|------------|----------|------------|----------|------------|----------|------------|----------|------------|----------|------------|----------|
| n° | | n° | | n° | | n° | | n° | | n° | | n° | |
| 1 | 478.1151 | 1 | 478.1145 | 1 | 478.1146 | 1 | 478.1147 | 1 | 478.1148 | 1 | 478.1149 | 1 | 478.1150 |
| 1 | 478.019 | 1 | 478.019 | 1 | 478.019 | 1 | 478.019 | 1 | 478.019 | 1 | 478.019 | 1 | 478.019 |
| 1 | 478.2163 | 1 | 478.2163 | 1 | 478.2163 | 1 | 478.2163 | 1 | 478.2163 | 1 | 478.2163 | 1 | 478.2163 |
| 1 | 478.301 | 1 | 478.301 | 1 | 478.301 | 1 | 478.301 | 1 | 478.301 | 1 | 478.301 | 1 | 478.301 |
| 1 | 478.319 | 1 | 478.319 | 1 | 478.319 | 1 | 478.319 | 1 | 478.319 | 1 | 478.319 | 1 | 478.319 |
| 1.18816.00 | | 1.18816.01 | | 1.18816.02 | | 1.18816.03 | | 1.18816.04 | | 1.18816.05 | | 1.18816.06 | |

C 310 C 480
C 360 C 540
C 420 C 600
C 660

2/1983

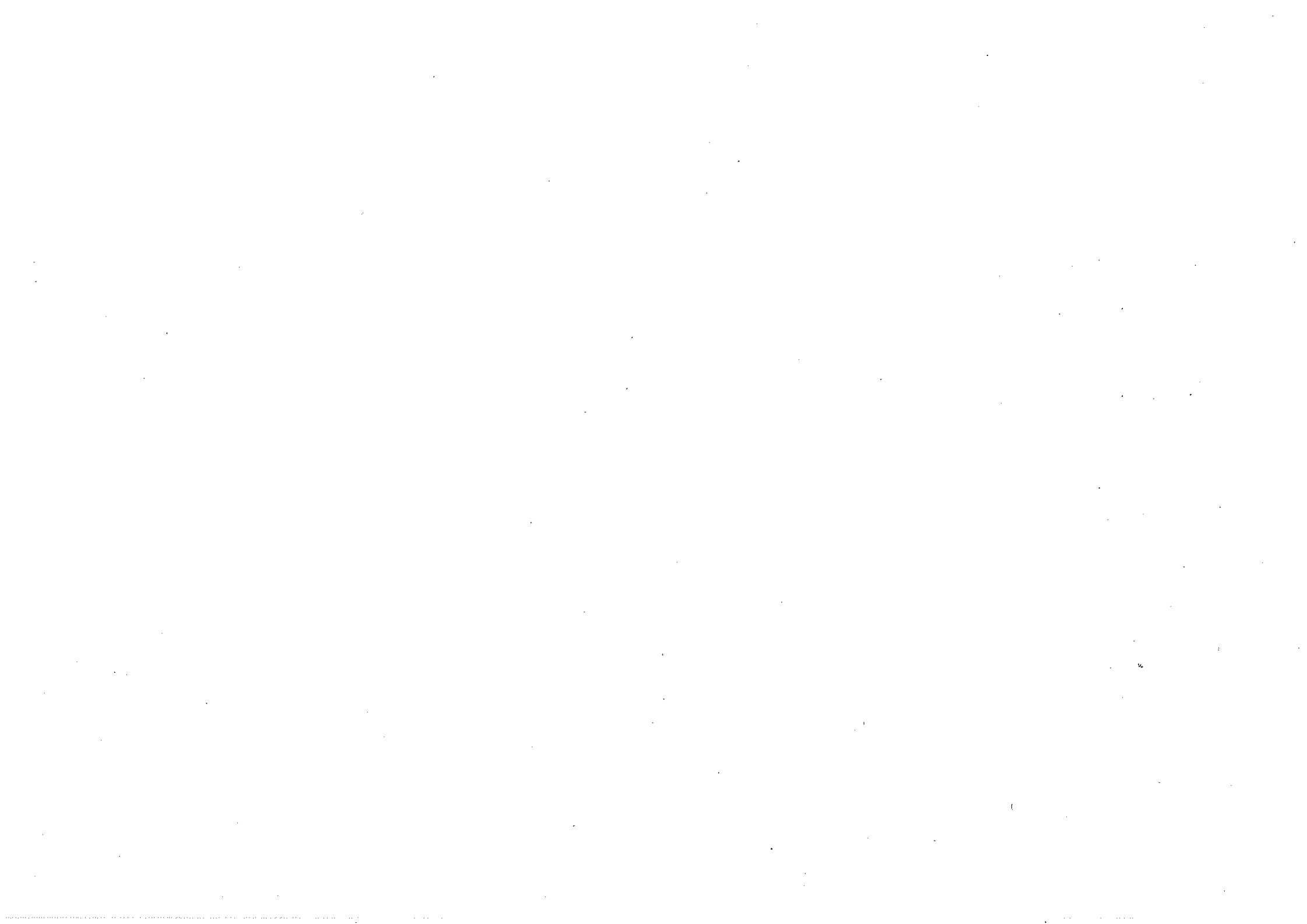
DECALCOMANIE E TARGHETTE
 DECALCOMANIES ET PLAQUE CONSTRUCTIONS
 CALCOMANIAS Y PLACA IDENTIFICACIONES
 TRANSFERS AND NUMBER PLATES
 ABZIEHBILDER UND FABRIKSCHILDER

Q 31

VARIANTI








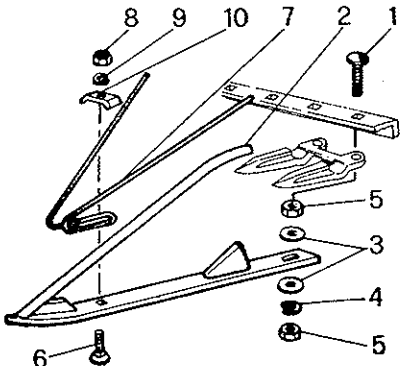
**VARIANTES
VARIANTES**

**VARIATIONS
VARIANTEN**



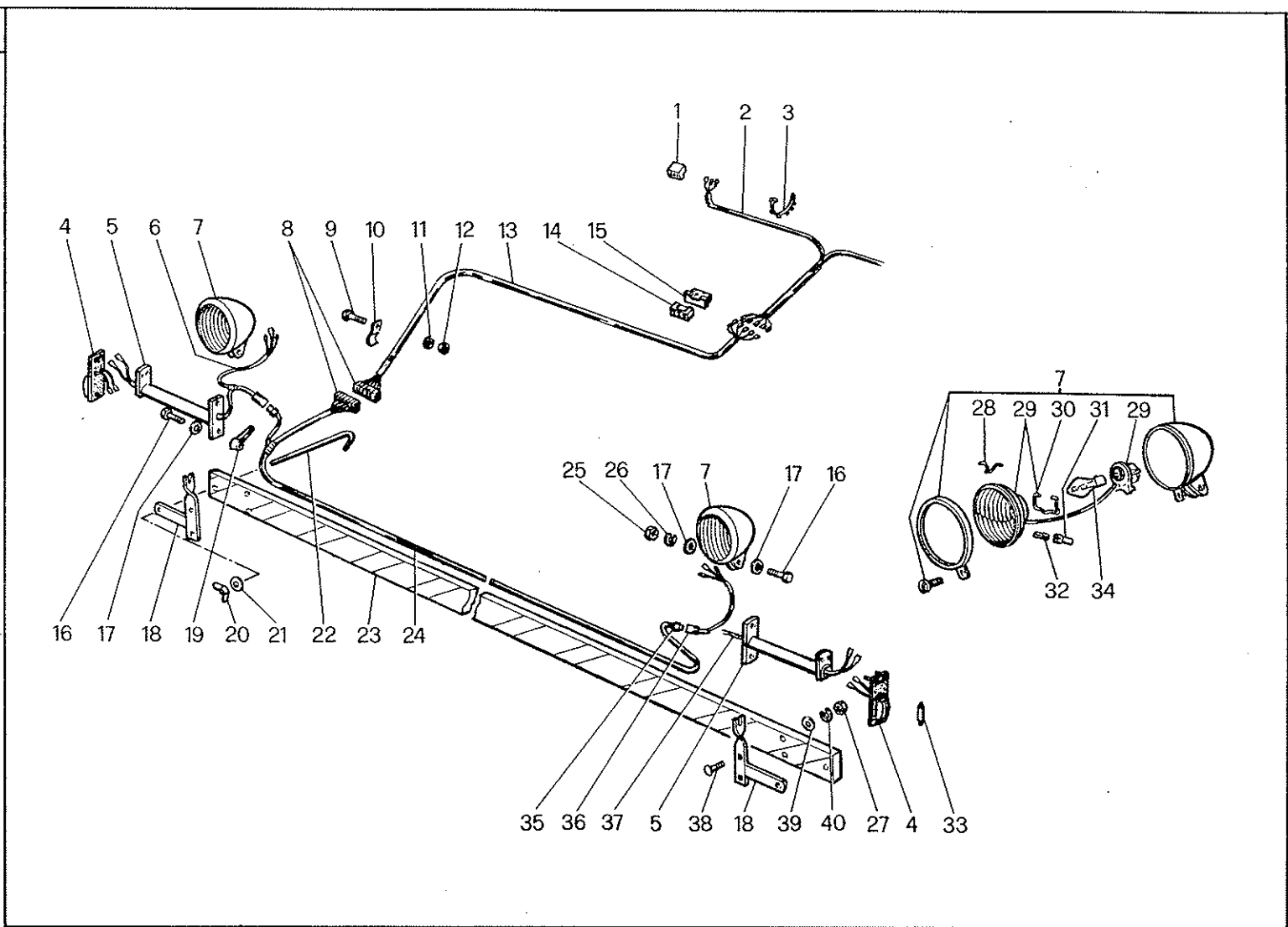
| MODIF. | RIF. | N° ORDIN. | QUANT. | NOTE |
|--------|------|--------------------------------------------------------------------------------|----------------------------------------------------------------------------------|------|
| | | | | |
| | * | 1 342.655 | 1 | |
| | | 2 1.31626 | 1 | |
| | | 3 355.01330 | 2 | |
| | | 4 354.511 | 1 | |
| | | 5 350.007 | 2 | |
| | | C 310 C 480 C 360 C 540 C 420 C 600 C 660 | ALZASPIGHE RELEVEUR D'EPIS LEVANTADOR DE MIES AER LIFTER AEHRENHEBER | |
| | | 6/1984 | | |
| | | | 021 | |
| | | | 5B272L01 | |

| MODIF. | RIF. | N° ORDIN. | DENOMINAZIONE | DESIGNATION | DENOMINACIONES | DESCRIPTION | BENENNUNG |
|--------|------|-----------|------------------|-----------------|--------------------|---------------|--------------|
| | 1 | 342.655 | VITE | VIS | TORNILLO | SCREW | SCHRAUBE |
| | 2 | 1.31626 | ALZASPIGHE | RELEVEUR D'EPIS | LEVANTADOR DE MIES | GRAIN LIFTER | AEHRENHEBER |
| | 3 | 355.01330 | RONDELLA | RONDELLE | ARANDELA | WASHER | SCHEIBE |
| | 4 | 354.511 | ROSETTA ELASTICA | RONDELLE W | ARANDELA ELASTICA | SPRING WASHER | FEDERSCHEIBE |
| | 5 | 350.007 | DADO | ECROU | TUERCA | NUT | MUTTER |

| MODIF. | RIF. | N° ORDIN. | QUANT. | NOTE |
|--------|------|-----------|--------|---------------------------------------------------------------------------------------------------------------------------------------------------------|
| | | | |  <p>m. 6,60 n° 29 - 5F172L37</p> |
| | | | |  <p>m. 6,00 n° 26 - 5F172L35</p> |
| | | | |  <p>m. 5,40 n° 24 - 5F172L33</p> |
| | | | |  <p>m. 4,80 n° 21 - 5F172L31</p> |
| | | | |  <p>m. 4,20 n° 18 - 5F172L29</p> |
| | | | |  <p>m. 3,60 n° 16 - 5F172L25</p> |
| | | | |  <p>m. 3,10 n° 14 - 5F172L23</p> |
| | | | |  |
| | | | | C 310 C 480 C 360 C 540 C 420 C 600 C 660 |
| | | | | ALZASPIGHE CON DEVIATORE RELEVEUR D'EPIS AVEC DEFLECTEUR LEVANTADOR DE MIES CON SEPARADOR AER LIFTER WITH DEVIATOR AEHRENHEBER MIT ABWEISER |
| | | | | 6/1984 |
| | | | | 022 |
| | | | | 5B272L03 |

| MODIF. | RIF. | N° ORDIN. | DENOMINAZIONE | DESIGNATION | DENOMINACIONES | DESCRIPTION | BENENNUNG |
|--------|------|-----------|-------------------------|-----------------|--------------------|---------------|--------------|
| | 1 | 342.655 | VITE | VIS | TORNILLO | SCREW | SCHRAUBE |
| | 2 | 1.31626 | ALZASPIGHE | RELEVEUR D'EPIS | LEVANTADOR DE MIES | GRAIN LIFTER | AEHRENHEBER |
| | 3 | 355.01330 | RONDELLA | RONDELLE | ARANDELA | WASHER | SCHEIBE |
| | 4 | 354.511 | ROSETTA ELASTICA | RONDELLE W | ARANDELA ELASTICA | SPRING WASHER | FEDERSCHEIBE |
| | 5 | 350.007 | DADO | ECROU | TUERCA | NUT | MUTTER |
| | 6 | 600.0816 | VITE | VIS | TORNILLO | SCREW | SCHRAUBE |
| | 7 | 1.16189 | DEVIATORE SU ALZASPIGHE | DEFLECTEUR | DEFLECTOR | CROP DIVIDER | HALMTEILER |
| | 8 | 650.008 | DADO | ECROU | TUERCA | NUT | MUTTER |
| | 9 | 354.108 | ROSETTA ELASTICA | RONDELLE W | ARANDELA ELASTICA | SPRING WASHER | FEDERSCHEIBE |
| | 10 | 1.16190 | BRIGLIA | BRIDE | BRIDA | CLAMP | SHELLE |

| MODIF. | RIF. | N° ORDIN. | QUANT. | NOTE |
|--------|------|------------|--------|------------|
| | 1 | 481.4167 | 2 | |
| | 2 | 1.15362 | 1 | |
| | 3 | 481.802 | 15 | |
| | 4 | 1.15309.00 | 2 | |
| | 5 | 1.15369 | 2 | |
| | 6 | 1.15367.00 | 1 | |
| | 7 | 1.11304.00 | 2 | |
| | 8 | 481.422 | (1) | |
| | 9 | 621.0814 | 1 | |
| | 10 | 1.5924 | 1 | |
| | 11 | 354.108 | 5 | |
| | 12 | 650.108 | 6 | |
| | +13 | 1.9446.00 | 1 | |
| | x13 | 1.9446.01 | 1 | |
| | o13 | 1.9446.02 | 1 | |
| | 14 | 481.4171 | (1) | |
| | 15 | 481.4170 | (1) | |
| | 16 | 621.1016 | 4 | |
| | 17 | 355.11030 | 6 | |
| | 18 | 1.9038.50 | 2 | |
| | 19 | 3.3258 | 2 | |
| | 20 | 654.006 | 2 | |
| | 21 | 355.10720 | 2 | |
| | 22 | 1.15361 | 2 | |
| | +23 | 1.8820.50 | 1 | |
| | x23 | 1.8820.51 | 1 | |
| | o23 | 1.8820.52 | 1 | |
| | +24 | 1.15363.00 | 1 | |
| | x24 | 1.15364.00 | 1 | |
| | o24 | 1.15366.00 | 1 | |
| | 25 | 650.110 | 2 | |
| | 26 | 354.110 | 2 | |
| | 27 | 650.108 | 4 | |
| | 28 | 1.11305 | (3) | |
| | 29 | 1.11310 | (1) | |
| | 30 | 1.11306 | (1) | |
| | 31 | 1.11307 | (1) | |
| | 32 | 481.005 | 2 | 12V-3W |
| | 33 | 481.009 | 2 | 12V-5W |
| | 34 | 481.011 | 2 | 12V-45/40W |
| | 35 | 481.4164 | (2) | |
| | 36 | 481.4165 | (1) | |
| | 37 | 1.15368.00 | 1 | |
| | 38 | 600.0822 | 4 | |
| | 39 | 355.00915 | 4 | |
| | 40 | 354.108 | 4 | |



C 310
C 360
C 420

FANALERIA SUPPLEMENTARE
APPAREILS SUPPLEMENTAIRES D'ECLAIRAGE
FAROS SUPLEMENTALES
SUPPORT LIGHTS
ZUSAETZLICHE BELEUCHTUNG

023

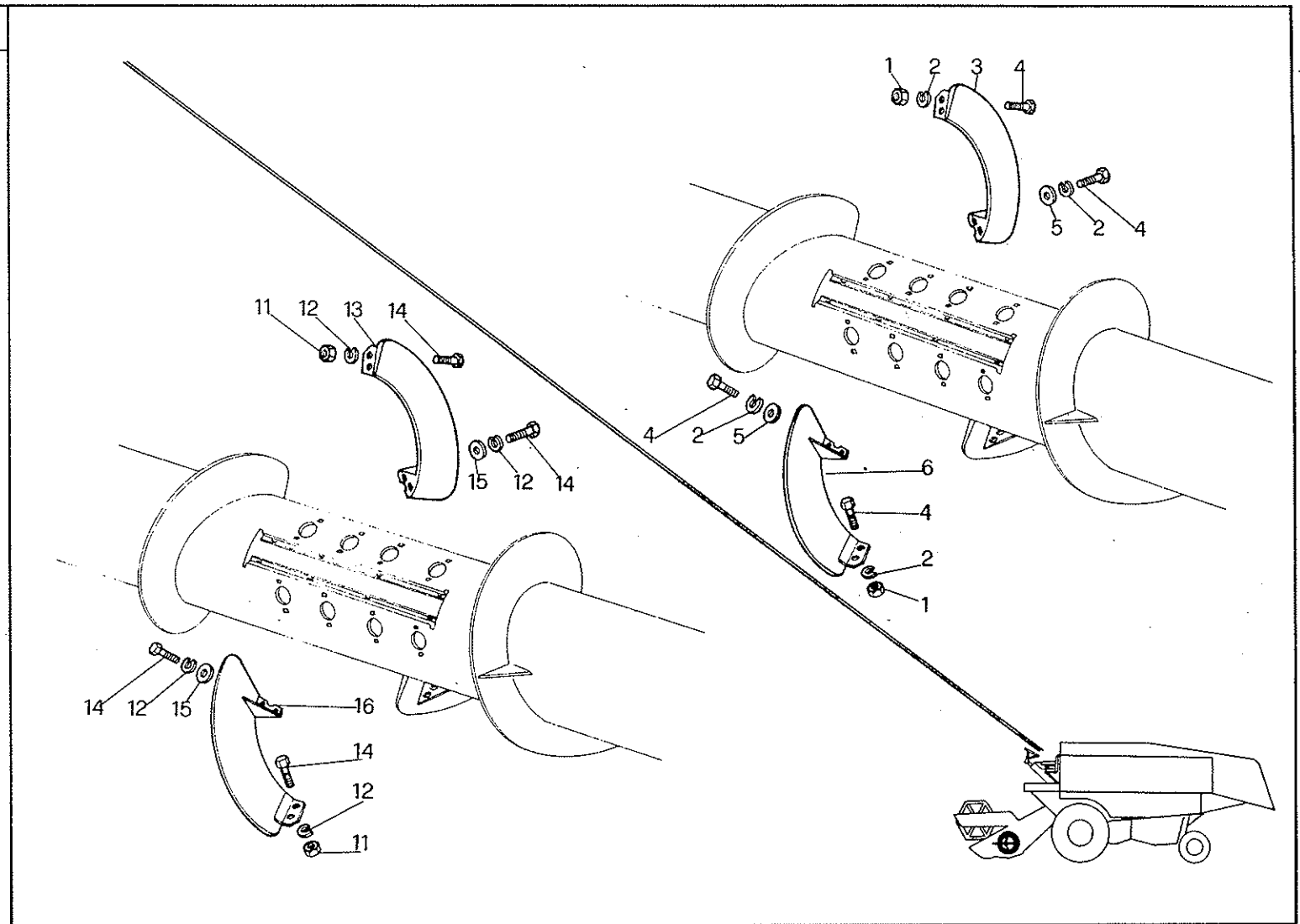
+5F170F04
+5F170E04
x5F170F06
x5F170E06
o5F170F10
o5F170E10

2/1983

+ = C 310
x = C 360
o = C 420

| MODIF. | RIF. | N° ORDIN. | DENOMINAZIONE | DESIGNATION | DENOMINACIONES | DESCRIPTION | BENENNUNG |
|--------|------|------------|--------------------------|----------------------|---------------------|-----------------|------------------|
| | 1 | 481.4167 | BLOCCHETTO PORTAMASCHIO | PRISE MALE | TERMINAL MACHO | TERMINAL MALE | STECKER |
| | 2 | 1.15362 | CAVO | CABLE | CABLE | CABLE | KABEL |
| | 3 | 481.802 | FASCETTA | COLLIER | COLLAR | CLAMP | SHELLE |
| | 4 | 1.15309.00 | FANALINO SAGOMA | FEU | FAROLITO | LIGHT | LICHT |
| | 5 | 1.15369 | SUPPORTO FARO E FANALINO | SUPPORT | SOPORTE | SUPPORT | HALTERUNG |
| | 6 | 1.15367.00 | COMPL. CAVO D. | CABLE CPT D. | CONJ. CABLE DE. | CABLE, ASSY | KABEL KPL |
| | 7 | 1.11304.00 | COMPL. FARO | PROJECTEUR CPT | CONJ. FARO | HEADLAMP, ASSY | SCHEINWERFER KPL |
| | 8 | 481.422 | MORSETTIERA 6 ELEMENTI | BOITE JONCTION | EMPALME | TERMINAL BOX | STECKDOSE |
| | 9 | 621.0814 | VITE | VIS | TORNILLO | SCREW | SCHRAUBE |
| | 10 | 1.5924 | FASCETTA | COLLIER | COLLAR | CLAMP | SHELLE |
| | 11 | 354.108 | ROSETTA ELASTICA | RONDELLE W | ARANDELA ELASTICA | SPRING WASHER | FEDERSCHEIBE |
| | 12 | 650.108 | DADO | ECROU | TUERCA | NUT | MUTTER |
| | 13 | 1.9446.00 | COMPL. CAVO | CABLE CPT | CONJ. CABLE | CABLE, ASSY | KABEL KPL |
| | 13 | 1.9446.01 | COMPL. CAVO | CABLE CPT | CONJ. CABLE | CABLE, ASSY | KABEL KPL |
| | 13 | 1.9446.02 | COMPL. CAVO | CABLE CPT | CONJ. CABLE | CABLE, ASSY | KABEL KPL |
| | 14 | 481.4171 | BLOCCHETTO PORTAMASCHIO | PRISE MALE | TERMINAL MACHO | TERMINAL MALE | STECKER |
| | 15 | 481.4170 | BLOCCHETTO PORTAFEMMINA | PRISE FEMELLE | TERMINAL HEMBRA | TERMINAL FEMALE | STECKDOSE |
| | 16 | 621.1016 | VITE | VIS | TORNILLO | SCREW | SCHRAUBE |
| | 17 | 355.11030 | RONDELLA | RONDELLE | ARANDELA | WASHER | SCHLEIBE |
| | 18 | 1.9038.50 | SUPPORTO FARI | SUPPORT | SOPORTE | SUPPORT | HALTERUNG |
| | 19 | 3.3258 | MANETTINO | MANETTE | MANILLA | LOCKING NUT | GRIFFMUTTER |
| | 20 | 654.006 | DADO | ECROU | TUERCA | NUT | MUTTER |
| | 21 | 355.10720 | RONDELLA | RONDELLE | ARANDELA | WASHER | SCHLEIBE |
| | 22 | 1.15361 | GANCIO | CROCHET | GANCHO | HOOK | HAKEN |
| | 23 | 1.8820.50 | PROTEZIONE ANTERIORE | PROTECTEUR ANTERIEUR | PROTECCION ANTERIOR | FRONT GUARD | VORDERESCHUTZ |
| | 23 | 1.8820.51 | PROTEZIONE ANTERIORE | PROTECTEUR ANTERIEUR | PROTECCION ANTERIOR | FRONT GUARD | VORDERESCHUTZ |
| | 23 | 1.8820.52 | PROTEZIONE ANTERIORE | PROTECTEUR ANTERIEUR | PROTECCION ANTERIOR | FRONT GUARD | VORDERESCHUTZ |
| | 24 | 1.15363.00 | COMPL. CAVO FARI | CABLE FEUX CPT | CONJ. CABLE FAROS | CABLE, ASSY | KABEL KPL |
| | 24 | 1.15364.00 | COMPL. CAVO FARI | CABLE FEUX CPT | CONJ. CABLE FAROS | CABLE, ASSY | KABEL KPL |
| | 24 | 1.15366.00 | COMPL. CAVO FARI | CABLE FEUX CPT | CONJ. CABLE FAROS | CABLE, ASSY | KABEL KPL |
| | 25 | 650.110 | DADO | ECROU | TUERCA | NUT | MUTTER |
| | 26 | 354.110 | ROSETTA ELASTICA | RONDELLE W | ARANDELA ELASTICA | SPRING WASHER | FEDERSCHEIBE |
| | 27 | 650.108 | DADO | ECROU | TUERCA | NUT | MUTTER |
| | 28 | 1.11305 | MOLLA | RESSORT | RESORTE | SPRING | FEDER |
| | 29 | 1.11310 | CORPO LUMINOSO | DIFFUSEUR | CUERPO | BODY | LICHTGLAS |
| | 30 | 1.11306 | MOLLA | RESSORT | RESORTE | SPRING | FEDER |
| | 31 | 1.11307 | PORTALAMPADA | PORTE-LAMPE | SOPORTE-BOMBILLA | LAMP HOLDER | GLUEHLAMPEN |
| | 32 | 481.005 | LAMPADA | LAMPE | BOMBILLA | LAMP | LAMPE |
| | 33 | 481.009 | LAMPADA | LAMPE | BOMBILLA | LAMP | LAMPE |
| | 34 | 481.011 | LAMPADA | LAMPE | BOMBILLA | LAMP | LAMPE |
| | 35 | 481.4164 | BLOCCHETTO PORTAFEMMINA | PRISE FEMELLE | TERMINAL HEMBRA | TERMINAL FEMALE | STECKDOSE |
| | 36 | 481.4165 | BLOCCHETTO PORTAMASCHIO | PRISE MALE | TERMINAL MACHO | TERMINAL MALE | STECKER |
| | 37 | 1.15368.00 | COMPL. CAVO S. | CABLE CPT G. | CONJ. CABLE IZ. | CABLE, ASSY | KABEL KPL |
| | 38 | 600.0822 | VITE | VIS | TORNILLO | SCREW | SCHRAUBE |
| | 39 | 355.00915 | RONDELLA | RONDELLE | ARANDELA | WASHER | SCHLEIBE |
| | 40 | 354.108 | ROSETTA ELASTICA | RONDELLE W | ARANDELA ELASTICA | SPRING WASHER | FEDERSCHEIBE |

| MODIF. | RIF. | N° ORDIN. | QUANT. | NOTE |
|--------------------------------------------------------------------------------------------------------------------------|------|-----------|--------|------|
| SPIRALI CONICHE 5F779P03 SPIRALS CONIQUES ESPIRALES CONICHE CONISC SPIRAL KONISCH SPIRALE | | | | |
| | 1 | 650.108 | 4 | |
| | 2 | 354.108 | 8 | |
| | 3 | 1.35007 | 1 | |
| | 4 | 621.0812 | 8 | |
| | 5 | 355.00915 | 4 | |
| | 6 | 1.35008 | 1 | |
| SPIRALI CILINDRICHE 5F779P05 SPIRALS CYLINDRIQUES ESPIRALES CILINDRICHE CYLINDRICALS SPIRAL ZYLINDER SPIRALE | | | | |
| | 11 | 650.108 | 4 | |
| | 12 | 354.108 | 8 | |
| | 13 | 1.31395 | 1 | |
| | 14 | 621.0812 | 8 | |
| | 15 | 355.00915 | 4 | |
| | 16 | 1.31396 | 1 | |



C 310
C 360
C 420

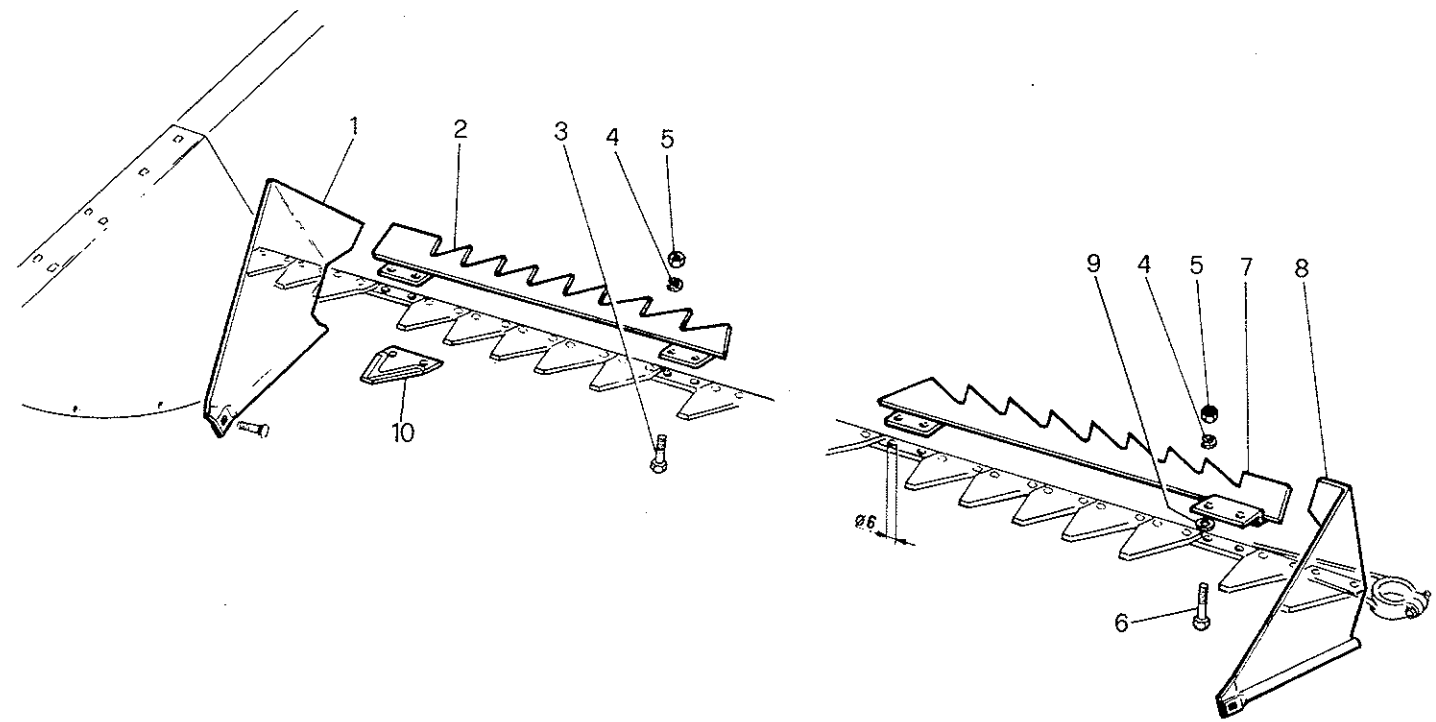
2/1983

SPIRALI SUPPLEMENTARI
 SPIRALS SUPPLEMENTAIRES
 ESPIRALES SUPPLEMENTARIAS
 ADDITIONAL AUGER FLIGHTS
 ZUSATZSCHNECKE

024
 5F779P03
 5F779P05

| MODIF. | RIF. | N° ORDIN. | DENOMINAZIONE | DESIGNATION | DENOMINACIONES | DESCRIPTION | BENENNUNG |
|--------|------|-----------|--------------------------|-------------------|-------------------|-------------------|----------------|
| | 1 | 650.108 | DADO | ECROU | TUERCA | NUT | MUTTER |
| | 2 | 354.108 | ROSETTA ELASTICA | RONDELLE W | ARANDELA ELASTICA | SPRING WASHER | FEDERSCHEIBE |
| | 3 | 1.35007 | SPIRALE SUPPLEMENTARE D. | SPIRAL SUPPLEMEN. | ESPIRAL SUPLEMEN. | ADDITIONAL SPIRAL | ZUSATZ SPIRALE |
| | 4 | 621.0812 | VITE | VIS | TORNILLO | SCREW | SCHRAUBE |
| | 5 | 355.00915 | RONDELLA | RONDELLE | ARANDELA | WASHER | SCHIEBE |
| | 6 | 1.35008 | SPIRALE SUPPLEMENTARE S. | SPIRAL SUPPLEMEN. | ESPIRAL SUPLEMEN. | ADDITIONAL SPIRAL | ZUSATZ SPIRALE |
| | 11 | 650.108 | DADO | ECROU | TUERCA | NUT | MUTTER |
| | 12 | 354.108 | ROSETTA ELASTICA | RONDELLE W | ARANDELA ELASTICA | SPRING WASHER | FEDERSCHEIBE |
| | 13 | 1.31395 | SPIRALE SUPPLEMENTARE D. | SPIRAL SUPPLEMEN. | ESPIRAL SUPLEMEN. | ADDITIONAL SPIRAL | ZUSATZ SPIRALE |
| | 14 | 621.0812 | VITE | VIS | TORNILLO | SCREW | SCHRAUBE |
| | 15 | 355.00915 | RONDELLA | RONDELLE | ARANDELA | WASHER | SCHIEBE |
| | 16 | 1.31396 | SPIRALE SUPPLEMENTARE S. | SPIRAL SUPPLEMEN. | ESPIRAL SUPLEMEN. | ADDITIONAL SPIRAL | ZUSATZ SPIRALE |

| MODIF. | RIF. | N° ORDIN. | QUANT. | NOTE |
|--------|------|-----------|--------|------|
| | 1 | 1.15613 | 1 | |
| | 2 | 1.15618 | 1 | |
| | 3 | 622.0612 | 6 | |
| | 4 | 354.106 | 8 | |
| | 5 | 655.006 | 8 | |
| | 6 | 622.0618 | 2 | |
| | 7 | 1.15617 | 1 | |
| | 8 | 1.15614 | 1 | |
| | 9 | 355.00715 | 4 | |
| | 10 | 1.25961 | (4) | |



C 310 C 480
C 360 C 540
C 420 C 600
C 660

CONVOGLIATORI LATERALI BARRA
 CONVOYEURS LATERALS
 CONVOYADORES LATERALES
 SIDE CONVEYORS
 SEITENFOERDERBLECHE

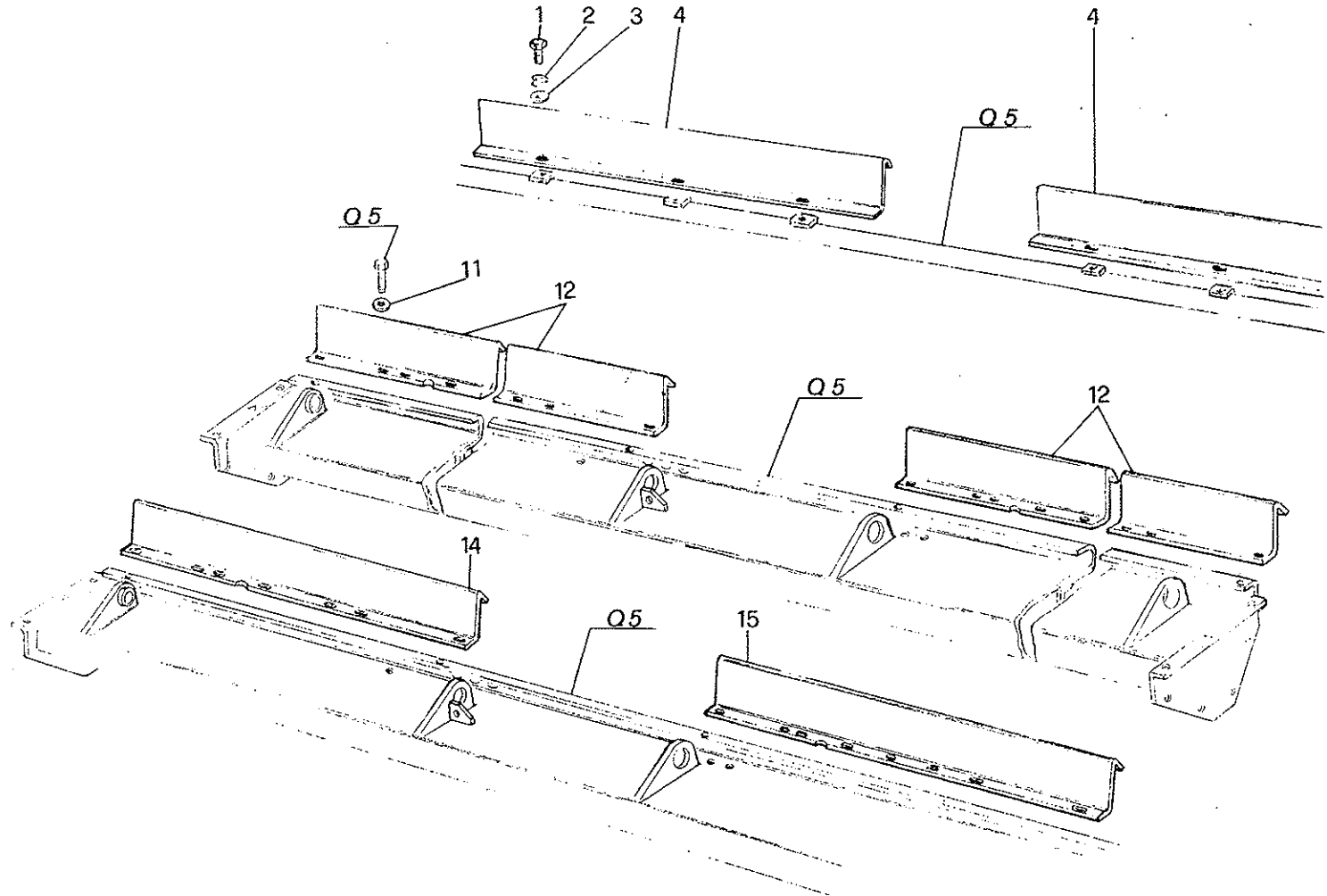
6/1984

025

5F170U01

| MODIF. | RIF. | N° ORDIN. | DENOMINAZIONE | DESIGNATION | DENOMINACIONES | DESCRIPTION | BENENNUNG |
|--------|------|-----------|------------------|-----------------|---------------------|-----------------|--------------|
| | 1 | 1.15613 | CONVOGLIATORE D. | CONVOYEUR D. | CONVOYADOR DE. | CONVEYOR, R.H. | LEITBLECH R. |
| | 2 | 1.15618 | SCIVOLO D. | DEVERSOIR D. | PLANO INCLINADO DE. | BAG CHUTE, R.H. | RÜTSCH R. |
| | 3 | 622.0612 | VITE | VIS | TORNILLO | SCREW | SCHRAUBE |
| | 4 | 354.106 | ROSETTA ELASTICA | RONDELLE W | ARANDELA ELASTICA | SPRING WASHER | FEDERSCHEIBE |
| | 5 | 655.006 | DADO | ECROU | TUERCA | NUT | MÜTTER |
| | 6 | 622.0618 | VITE | VIS | TORNILLO | SCREW | SCHRAUBE |
| | 7 | 1.15617 | SCIVOLO S. | DEVERSOIR G. | PLANO INCLINADO IZ. | BAG CHUTE, L.H. | RÜTSCH L. |
| | 8 | 1.15614 | CONVOGLIATORE S. | CONVOYEUR G. | CONVOYADOR IZ. | CONVEYOR, L.H. | LEITBLECH L. |
| | 9 | 355.00715 | RONDELLA | RONDELLE | ARANDELA | WASHER | SCHEIBE |
| | 10 | 1.25961 | SEZIONE DI LAMA | SECTION DE LAME | SEGMENTO CUCHILLA | KNIFE SECTION | MESSERKLINGE |

| MODIF. | RIF. | N° ORDIN. | QUANT. | NOTE |
|----------------------------------|------|-----------|--------|------|
| 5F170K04 - C 310 - C 360 - C 420 | | | | |
| | 1 | 621.1011 | 4 | |
| | 2 | 354.110 | 4 | |
| | 3 | 355.01120 | 4 | |
| | 4 | 1.15960 | 2 | |
| 5F170K12 - C 480 | | | | |
| | 11 | 355.10615 | 1 | |
| | 12 | 1.35702 | 2 | |
| 5F170K14 - C 540 - C 600 | | | | |
| | 11 | 355.10615 | 1 | |
| | 12 | 1.34511 | 2 | |
| 5F170K18 - C 660 | | | | |
| | 14 | 1.35736 | 1 | |
| | 15 | 1.35735 | 1 | |



C 310 C 480
C 360 C 540
C 420 C 600
C 660

ALLESTIMENTO (ITALIA)
 VERSION (ITALIE)
 ALISTAMIENTO (ITALIA)
 EQUIPMENT FOR (ITALY)
 AUSRUESTUNG (ITALIEN)

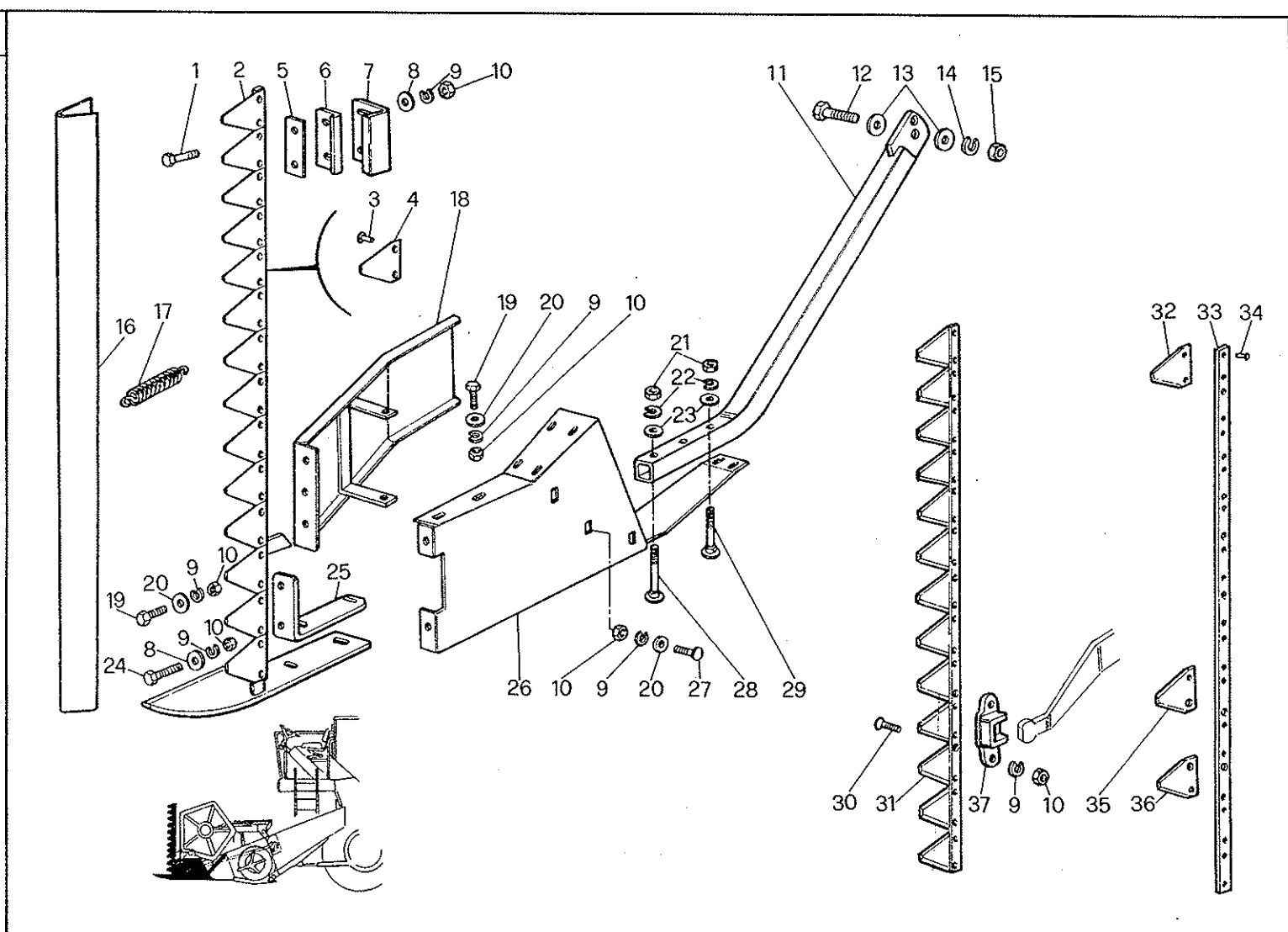
2/1983

026

5F170K04
 5F170K12
 5F170K14
 5F170K18

| MODIF. | RIF. | N° ORDIN. | DENOMINAZIONE | DESIGNATION | DENOMINACIONES | DESCRIPTION | BENENNUNG |
|--------|------|-----------|-------------------------|---------------------|--------------------|----------------------|-----------------|
| | 1 | 621.1011 | VITE | VIS | TORNILLO | SCREW | SCHRAUBE |
| | 2 | 354.110 | ROSETTA ELASTICA | RONDELLE W | ARANDELA ELASTICA | SPRING WASHER | FEDERSCHEIBE |
| | 3 | 355.01120 | RONDELLA | RONDELLE | ARANDELA | WASHER | SCHEIBE |
| | 4 | 1.15960 | RIALZO POSTERIORE BARRA | REHAUSSE ARRIERE | ALZA POSTERIOR | REAR EXTENSION | HINTERPLATTE |
| | 11 | 355.10615 | RONDELLA | RONDELLE | ARANDELA | WASHER | SCHEIBE |
| | 12 | 1.35702 | RIALZO POSTERIORE | REHAUSSE ARRIERE | ALZA POSTERIOR | REAR EXTENSION | HINTERPLATTE |
| | 12 | 1.34511 | RIALZO POSTERIORE | REHAUSSE ARRIERE | ALZA POSTERIOR | REAR EXTENSION | HINTERPLATTE |
| | 14 | 1.35736 | RIALZO POSTERIORE D. | REHAUSSE ARRIERE D. | ALZA POSTERIOR DE. | REAR EXTENSION, R.H. | HINTERPLATTE R. |
| | 15 | 1.35735 | RIALZO POSTERIORE S. | REHAUSSE ARRIERE G. | ALZA POSTERIOR IZ. | REAR EXTENSION, L.H. | HINTERPLATTE L. |

| MODIF. | RIF. | N° ORDIN. | QUANT. | NOTE |
|--------|------|------------|--------|------|
| | 1 | 621.0818 | 4 | |
| | 2 | 1.15277 | 1 | |
| | 3 | 371.313 | (28) | |
| | 4 | 1.6638.61 | (14) | |
| | 5 | 1.6645 | 3 | |
| | 6 | 1.6648 | 3 | |
| | 7 | 1.6647 | 3 | |
| | 8 | 355.20830 | 6 | |
| | 9 | 354.108 | 14 | |
| | 10 | 650.108 | 14 | |
| | 11 | 1.15835 | 1 | |
| | 12 | 621.1224 | 1 | |
| | 13 | 355.11230 | 2 | |
| | 14 | 354.112 | 1 | |
| | 15 | 650.112 | 1 | |
| | 16 | 1.6668 | 1 | |
| | 17 | 356.511 | 1 | |
| | 18 | 1.15604 | 1 | |
| | 19 | 621.0814 | 3 | |
| | 20 | 355.00915 | 6 | |
| | 21 | 650.110 | 3 | |
| | 22 | 354.110 | 3 | |
| | 23 | 355.11030 | 3 | |
| | 24 | 621.0820 | 2 | |
| | 25 | 1.15834 | 1 | |
| | 26 | 1.15278 | 1 | |
| | 27 | 342.511 | 3 | |
| | 28 | 600.1034 | 2 | |
| | 29 | 600.1030 | 1 | |
| | 30 | 336.225 | 2 | |
| | 31 | 1.15283 | 1 | |
| | 32 | 1.6638.61 | (11) | |
| | 33 | 1.15283.60 | (1) | |
| | 34 | 317.313 | (24) | |
| | 35 | 1.6638.62 | (1) | |
| | 36 | 1.6638.63 | (1) | |
| | 37 | 2.2220 | 1 | |



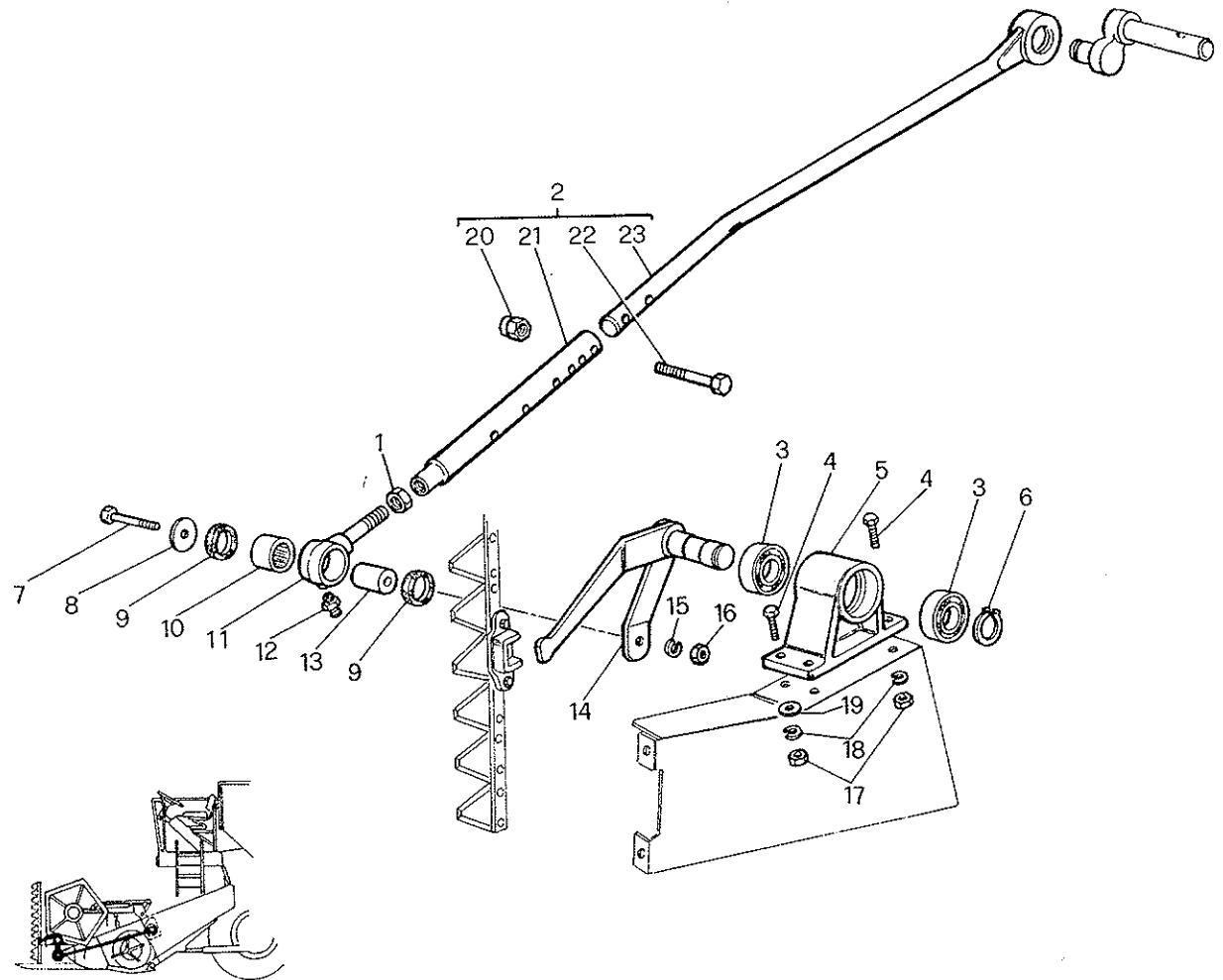
C 310 C 480
C 360 C 540
C 420 C 600
C 660
 6/1983

BARRA VERTICALE - LAMA
 BARRE VERTICALE - LAME
 BARRA VERTICAL - CUCHILLA
 VERTICAL KNIFE - KNIFE
 RAPSSCHERE - MESSER

O 67 . 1
 5F770V04

| MODIF | RIF | N° ORDIN. | DENOMINAZIONE | DESIGNATION | DENOMINACIONES | DESCRIPTION | BENENNUNG |
|-------|-----|------------|---------------------------------|-------------------|--------------------|----------------|------------------------|
| | 1 | 621.0818 | VITE | VIS | TORNILLO | SCREW | SCHRAUBE |
| | 2 | 1.15277 | ANGOLARE PORTA SEZIONI | CORNIERE | ANGULAR | KNIFE-BAR | MESSERBALKEN |
| | 3 | 371.313 | RIBATTINO T.P.S. | RIVET | REMACHE | RIVET | NIETE |
| | 4 | 1.6638.61 | SEZIONE DI LAMA | SECTION FAUCILLEE | SECCION DE CORTE | KNIFE SECTION | MESSERKLINGE |
| | 5 | 1.6645 | SPESSORE | CALE D'EPAISSEUR | ESPESOR | SHIM | DISTANZSCHEIBE |
| | 6 | 1.6648 | PIASTRA DI CONSUMO | PLAQUE D'USURE | CHAPITA DESGASTE | WEAR PLATE | REIBPLATTE |
| | 7 | 1.6647 | PIASTRINA | PLAQUETTE | PLANCHUELA | PLATE | PLAETTCHEN |
| | 8 | 355.20830 | RONDELLA | RONDELLE | ARANDELA | WASHER | SCHEIBE |
| | 9 | 354.108 | ROSETTA ELASTICA | RONDELLE W | ARANDELA ELASTICA | SPRING WASHER | FEDERSCHEIBE |
| | 10 | 650.108 | DADO | ECROU | TUERCA | NUT | MUTTER |
| | 11 | 1.15835 | PUNTOLE BARRA | BIELLE | BIELA | CONNECTING ROD | GLEITSTANGE |
| | 12 | 621.1224 | VITE | VIS | TORNILLO | SCREW | SCHRAUBE |
| | 13 | 355.11230 | RONDELLA | RONDELLE | ARANDELA | WASHER | SCHEIBE |
| | 14 | 354.112 | ROSETTA ELASTICA | RONDELLE W | ARANDELA ELASTICA | SPRING WASHER | FEDERSCHEIBE |
| | 15 | 650.112 | DADO | ECROU | TUERCA | NUT | MUTTER |
| | 16 | 1.6668 | RIPARO LAMA | PROTECTION | DEFENSA | PROTECTION | SCHUTZHAUBE |
| | 17 | 356.511 | MOLLA | RESSORT | RESORTE | SPRING | FEDER |
| | 18 | 1.15604 | PROTEZIONE ANTERIORE | PROTECTEUR AVANT | PROTECCION ANT. | FRONT GUARD | HALMETEILERSCHUTZBLECH |
| | 19 | 621.0814 | VITE | VIS | TORNILLO | SCREW | SCHRAUBE |
| | 20 | 355.00915 | RONDELLA | RONDELLE | ARANDELA | WASHER | SCHEIBE |
| | 21 | 650.110 | DADO | ECROU | TUERCA | NUT | MUTTER |
| | 22 | 354.110 | ROSETTA ELASTICA | RONDELLE W | ARANDELA ELASTICA | SPRING WASHER | FEDERSCHEIBE |
| | 23 | 355.11030 | RONDELLA | RONDELLE | ARANDELA | WASHER | SCHEIBE |
| | 24 | 621.0820 | VITE | VIS | TORNILLO | SCREW | SCHRAUBE |
| | 25 | 1.15834 | RINFORZO ANGOLARE PORTA SEZIONI | RAIDISSEUR | REFUERZO | STIFFENING | VERSTAERKUNG |
| | 26 | 1.15278 | SUPPORTO | SUPPORT | SOPORTE | SUPPORT | HALTERUNG |
| | 27 | 342.511 | VITE SPECIALE | VIS | TORNILLO | SCREW | SCHRAUBE |
| | 28 | 600.1034 | VITE | VIS | TORNILLO | SCREW | SCHRAUBE |
| | 29 | 600.1030 | VITE | VIS | TORNILLO | SCREW | SCHRAUBE |
| | 30 | 336.225 | VITE | VIS | TORNILLO | SCREW | SCHRAUBE |
| | 31 | 1.15283 | LAMA DI TAGLIO | LAME DE COUPE | CUCHILLA | KNIFE | MAEHMESSER |
| | 32 | 1.6638.61 | SEZIONE DI LAMA | SECTION FAUCILLEE | SECCION DE CORTE | KNIFE SECTION | MESSERKLINGE |
| | 33 | 1.15283.60 | ASTA FORATA | VERGE | ASTA HORADADA | BORED ROD | MESSELRUECKEN |
| | 34 | 371.313 | RIBATTINO T.P.S. | RIVET | REMACHE | RIVET | NIETE |
| | 35 | 1.6638.62 | SEZIONE DI LAMA | SECTION FAUCILLEE | SECCION DE CORTE | KNIFE SECTION | MESSERKLINGE |
| | 36 | 1.6638.63 | SEZIONE DI LAMA | SECTION FAUCILLEE | SECCION DE CORTE | KNIFE SECTION | MESSERKLINGE |
| | 37 | 2.2220 | TESTA DI LAMA | TETE DE LAME | CABEZA DE CUCHILLA | KNIFE HEAD | MESSERKOPF |

| MODIF. | RIF. | N° ORDIN. | QUANT. | NOTE |
|--------|------|------------|--------|------|
| | 1 | 650.716 | 1 | |
| | 2 | 1.35467.00 | 1 | |
| | + 2 | 1.25768.00 | 1 | |
| | 3 | 401.525 | 2 | |
| | 4 | 621.0818 | 4 | |
| | 5 | 1.6644 | 1 | |
| | 6 | 357.125 | 1 | |
| | 7 | 616.1230 | 1 | |
| | 8 | 355.11230 | 1 | |
| | 9 | 358.725 | 2 | |
| | 10 | 409.025 | 1 | |
| | 11 | 1.19967 | 1 | |
| | 12 | 357.803 | 1 | |
| | 13 | 1.5738 | 1 | |
| | 14 | 1.15281 | 1 | |
| | 15 | 354.112 | 1 | |
| | 16 | 650.512 | 1 | |
| | 17 | 650.108 | 4 | |
| | 18 | 354.108 | 4 | |
| | 19 | 355.00915 | 2 | |
| | 20 | 653.610 | 2 | |
| | 21 | 1.35468 | 1 | |
| | +21 | 1.25768 | 1 | |
| | 22 | 626.1024 | 2 | |
| | 23 | 1.35467 | 1 | |



+ = 3350 AL

C 310 C 480
C 360 C 540
C 420 C 600
C 660

BARRA VERTICALE - COMANDO LAMA
 BARRE VERTICALE - COMMANDE DE LAME
 BARRA VERTICAL - MANDO CUCHILLA
 VERTICAL KNIFE - KNIFE DRIVE
 RAPSSCHERE - MESSERANTRIEB

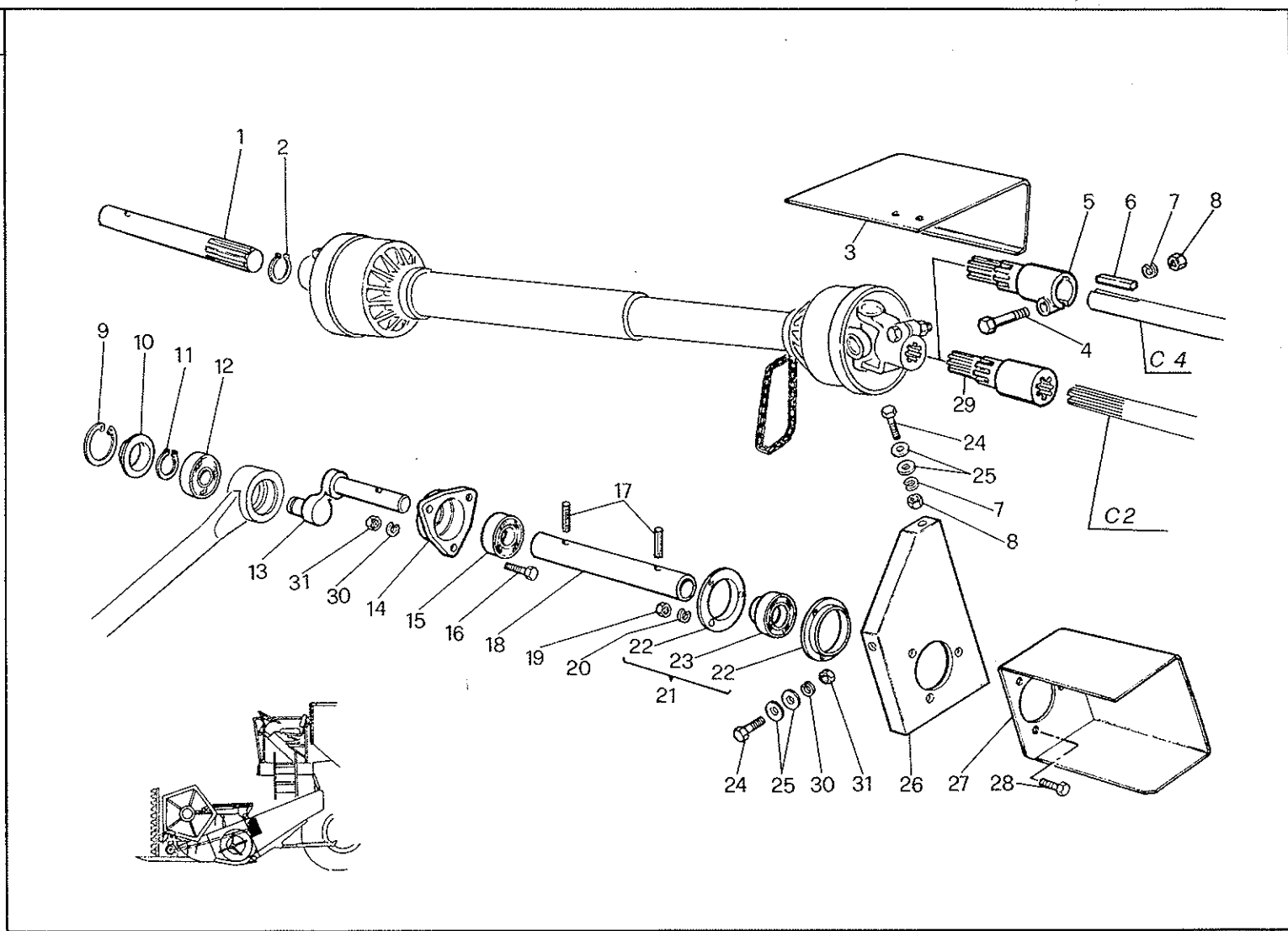
O 67 . 2

5F770V04

6/1983

| MODIF. | RIF. | N° ORDIN. | DENOMINAZIONE | DESIGNATION | DENOMINACIONES | DESCRIPTION | BENENNUNG |
|--------|------|------------|-------------------------|-------------------|-------------------------|----------------------|------------------------|
| | 1 | 650.716 | DADO | ECROU | TUERCA | NUT | MUTTER |
| | 2 | 1.35467.00 | COMPL. BIELLA COM. LAMA | BIELLE CPT | CONJ. BIELA | CONNECTING ROD, ASSY | MESSERKURBELSTANGE KPL |
| | 2 | 1.25768.00 | COMPL. BIELLA COM. LAMA | BIELLE CPT | CONJ. BIELA | CONNECTING ROD, ASSY | MESSERKURBELSTANGE KPL |
| | 3 | 401.525 | CUSCINETTO | ROULEMENT | RODAMIENTO | BEARING | LAGER |
| | 4 | 621.0818 | VITE | VIS | TORNILLO | SCREW | SCHRAUBE |
| | 5 | 1.6644 | SUPPORTO SQUADRA | SUPPORT | SOPORTE | SUPPORT | HALTERUNG |
| | 6 | 357.125 | ANELLO ELASTICO | CIRCLIPS | ANILLO ELASTICO | CIRCLIP | SICHERUNGSRING |
| | 7 | 616.1230 | VITE | VIS | TORNILLO | SCREW | SCHRAUBE |
| | 8 | 355.11230 | RONDELLA | RONDELLE | ARANDELA | WASHER | SCHEIBE |
| | 9 | 358.725 | GUARNIZIONE | JOINT | JUNTA | GASKET | DICHTUNG |
| | 10 | 409.025 | CUSCINETTO | ROULEMENT | RODAMIENTO | BEARING | LAGER |
| | 11 | 1.19967 | BIELLA COMANDO LAMA | BIELLE COMM. LAME | BIELA MANDO DE CUCHILLA | CONNECTING ROD | MESSERKURBELSTANGE |
| | 12 | 357.803 | INGRASSATORE | GRAISSEUR | ENGRASADOR | GREASE NIPPLE | SCHMIERNIPPEL |
| | 13 | 1.5738 | DISTANZIATORE | ENTRETOISE | ESPACIADOR | SPACER | DISTANZBUECHSE |
| | 14 | 1.15281 | BILANCERE COMANDO LAMA | BALANCIER | BALANCIN | ROCKER ARM | SCHWINGE |
| | 15 | 354.112 | ROSETTA ELASTICA | RONDELLE W | ARANDELA ELASTICA | SPRING WASHER | FEDERSCHEIBE |
| | 16 | 650.512 | DADO | ECROU | TUERCA | NUT | MUTTER |
| | 17 | 650.108 | DADO | ECROU | TUERCA | NUT | MUTTER |
| | 18 | 354.108 | ROSETTA ELASTICA | RONDELLE W | ARANDELA ELASTICA | SPRING WASHER | FEDERSCHEIBE |
| | 19 | 355.00915 | RONDELLA | RONDELLE | ARANDELA | WASHER | SCHEIBE |
| | 20 | 653.610 | DADO | ECROU | TUERCA | NUT | MUTTER |
| | 21 | 1.35468 | PROLUNGA BIELLA | RALLONGE | PROLONGA | EXTENSION | VERLAENGERUNG |
| | 21 | 1.25768 | PROLUNGA BIELLA | RALLONGE | PROLONGA | EXTENSION | VERLAENGERUNG |
| | 22 | 626.1024 | VITE | VIS | TORNILLO | SCREW | SCHRAUBE |
| | 23 | 1.35467 | BIELLA COMANDO LAMA | BIELLE COMM. LAME | BIELA MANDO DE CUCHILLA | CONNECTING ROD | MESSERKURBELSTANGE |

| MODIF. | RIF. | N° ORDIN. | QUANT. | NOTE |
|--------|------|-----------|--------|------|
| | 1 | 1.15833 | 1 | |
| | 2 | 357.125 | 1 | |
| | 3 | 1.15699 | 1 | |
| | ◦ 4 | 611.1032 | 1 | |
| | ◦ 5 | 1.15831 | 1 | |
| | ◦ 6 | 384.750 | 1 | |
| | ◦ 7 | 354.110 | 1 | |
| | ◦ 8 | 650.110 | 1 | |
| | 9 | 357.047 | 1 | |
| | 10 | 2.2242 | 1 | |
| | 11 | 357.120 | 1 | |
| | 12 | 401.520 | 1 | |
| | 13 | 1.6646 | 1 | |
| | 14 | 1.0947 | 1 | |
| | 15 | 401.525 | 1 | |
| | 16 | 621.1016 | 3 | |
| | 17 | 378.735 | 2 | |
| | 18 | 1.15280 | 1 | |
| | 19 | 650.108 | 3 | |
| | 20 | 354.108 | 3 | |
| | 21 | 411.012 | 1 | |
| | 22 | 411.404 | (2) | |
| | 23 | 411.204 | (1) | |
| | 24 | 621.1020 | 2 | |
| | 25 | 355.01130 | 4 | |
| | 26 | 1.15282 | 1 | |
| | 27 | 1.15698 | 1 | |
| | 28 | 621.0814 | 3 | |
| | •29 | 1.35378 | 1 | |
| | 30 | 354.110 | 5 | |
| | 31 | 650.110 | 5 | |



C 310 C 480
C 360 C 540
C 420 C 600
C 660

BARRA VERTICALE - TRASMISSIONE
 BARRE VERTICAL - TRANSMISSION
 BARRA VERTICAL - TRASMISION
 VERTICAL KNIFE - DRIVE
 RAPSSCHERE - ANTRIEB

O 67 . 3 A

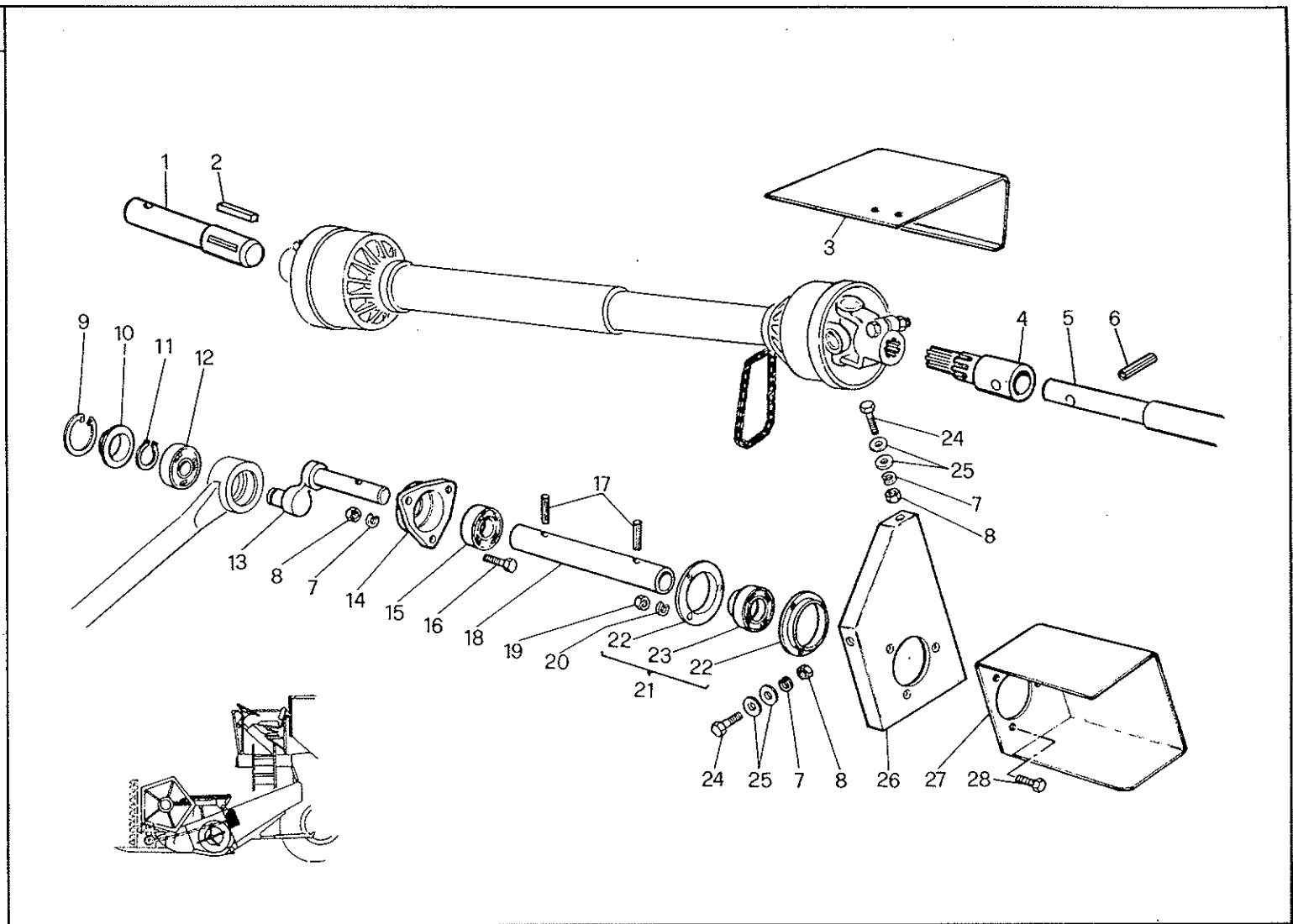
5F770V04

◦ = 3350 - 3450
 • = 3600 - 3700 - 3900

6/1983

| MODIF. | RIF. | N° ORDIN. | DENOMINAZIONE | DESIGNATION | DENOMINACIONES | DESCRIPTION | BENENNUNG |
|--------|------|-----------|------------------------------|--------------------|-------------------|-----------------|----------------|
| | 1 | 1.15833 | ALBERO ACCOPPIAMENTO CARDANO | ARBRE | ARBOL | SHAFT | WELLE |
| | 2 | 357.125 | ANELLO ELASTICO | CIRCLIPS | ANILLO ELASTICO | CIRCLIP | SICHERUNGSRING |
| | 3 | 1.15699 | PROTEZIONE INT. CARDANO | PROTECTEUR | PROTECCION | GUARD | SCHUTZBLECH |
| | 4 | 611.1032 | VITE | VIS | TORNILLO | SCREW | SCHRAUBE |
| | 5 | 1.15831 | PERNO COMANDO LAMA | AXE | EJE | PIN | BOLZEN |
| | 6 | 384.750 | LINGUETTA | CLAVETTE | CHAVETA | KEY | KEIL |
| | 7 | 354.110 | ROSETTA ELASTICA | RONDELLE W | ARANDELA ELASTICA | SPRING WASHER | FEDERSCHEIBE |
| | 8 | 650.110 | DADO | ECROU | TUERCA | NUT | MUTTER |
| | 9 | 357.047 | ANELLO ELASTICO | CIRCLIPS | ANILLO ELASTICO | CIRCLIP | SICHERUNGSRING |
| | 10 | 2.2242 | PROTEZIONE CUSCINETTO | PROTECTEUR | PROTECCION | GUARD | SCHUTZBLECH |
| | 11 | 357.120 | ANELLO ELASTICO | CIRCLIPS | ANILLO ELASTICO | CIRCLIP | SICHERUNGSRING |
| | 12 | 401.520 | CUSCINETTO | ROULEMENT | RODAMIENTO | BEARING | LAGER |
| | 13 | 1.6646 | MANOVELLA COMANDO LAMA | MANIVELLE | MANIVELA | HANDLE | KURBEL |
| | 14 | 1.0947 | SUPPORTO | SUPPORT | SOPORTE | SUPPORT | HALTERUNG |
| | 15 | 401.525 | CUSCINETTO | ROULEMENT | RODAMIENTO | BEARING | LAGER |
| | 16 | 621.1016 | VITE | VIS | TORNILLO | SCREW | SCHRAUBE |
| | 17 | 378.735 | SPINA ELASTICA | GOUPILLE ELASTIQUE | PASADOR | ROLL PIN | SPANNUELSE |
| | 18 | 1.15280 | ALBERO INTERMEDIO | ARBRE | ARBOL | SHAFT | WELLE |
| | 19 | 650.108 | DADO | ECROU | TUERCA | NUT | MUTTER |
| | 20 | 354.108 | ROSETTA ELASTICA | RONDELLE W | ARANDELA ELASTICA | SPRING WASHER | FEDERSCHEIBE |
| | 21 | 411.012 | SUPPORTO CUSCINETTO | PALIER | COJINETE | BEARING SUPPORT | LAGER HALTER |
| | 22 | 411.404 | FLANGIA CUSCINETTO | FLASQUE | BRIDA | FLANGE | LAGERFLANSCH |
| | 23 | 411.204 | CUSCINETTO | ROULEMENT | RODAMIENTO | BEARING | LAGER |
| | 24 | 621.1020 | VITE | VIS | TORNILLO | SCREW | SCHRAUBE |
| | 25 | 355.01130 | RONDELLA | RONDELLE | ARANDELA | WASHER | SCHIEBE |
| | 26 | 1.15282 | SUPPORTO INTERMEDIO | SUPPORT | SOPORTE | SUPPORT | HALTERUNG |
| | 27 | 1.15698 | PROTEZIONE EST. CARDANO | PROTECTEUR | PROTECCION | GUARD | SCHUTZBLECH |
| | 28 | 621.0814 | VITE | VIS | TORNILLO | SCREW | SCHRAUBE |
| | 29 | 1.35378 | PERNO COMANDO LAMA | AXE | EJE | PIN | BOLZEN |
| | 30 | 354.110 | ROSETTA ELASTICA | RONDELLE W | ARANDELA ELASTICA | SPRING WASHER | FEDERSCHEIBE |
| | 31 | 650.110 | DADO | ECROU | TUERCA | NUT | MUTTER |

| MODIF. | RIF. | N° ORDIN. | QUANT. | NOTE |
|--------|------|-----------|--------|------|
| | 1 | 1.28662 | 1 | |
| | 2 | 384.540 | 1 | |
| | 3 | 1.15699 | 1 | |
| | 4 | 1.28661 | 1 | |
| | 5 | 1.28660 | 1 | |
| | 6 | 378.740 | 1 | |
| | 7 | 354.110 | 5 | |
| | 8 | 650.110 | 5 | |
| | 9 | 357.047 | 1 | |
| | 10 | 2.2242 | 1 | |
| | 11 | 357.120 | 1 | |
| | 12 | 401.520 | 1 | |
| | 13 | 1.6646 | 1 | |
| | 14 | 1.0947 | 1 | |
| | 15 | 401.525 | 1 | |
| | 16 | 621.1016 | 3 | |
| | 17 | 378.735 | 2 | |
| | 18 | 1.15280 | 1 | |
| | 19 | 650.108 | 3 | |
| | 20 | 354.108 | 3 | |
| | 21 | 411.012 | 1 | |
| | 22 | 411.404 | (2) | |
| | 23 | 411.204 | (1) | |
| | 24 | 621.1020 | 2 | |
| | 25 | 355.01130 | 4 | |
| | 26 | 1.15282 | 1 | |
| | 27 | 1.15698 | 1 | |
| | 28 | 621.0814 | 3 | |



C 420
C 480

BARRA VERTICALE - TRASMISSIONE
BARRE VERTICAL - TRANSMISSION
BARRA VERTICAL - TRASMISION
VERTICAL KNIFE - DRIVE
RAPSSCHERE - ANTRIEB

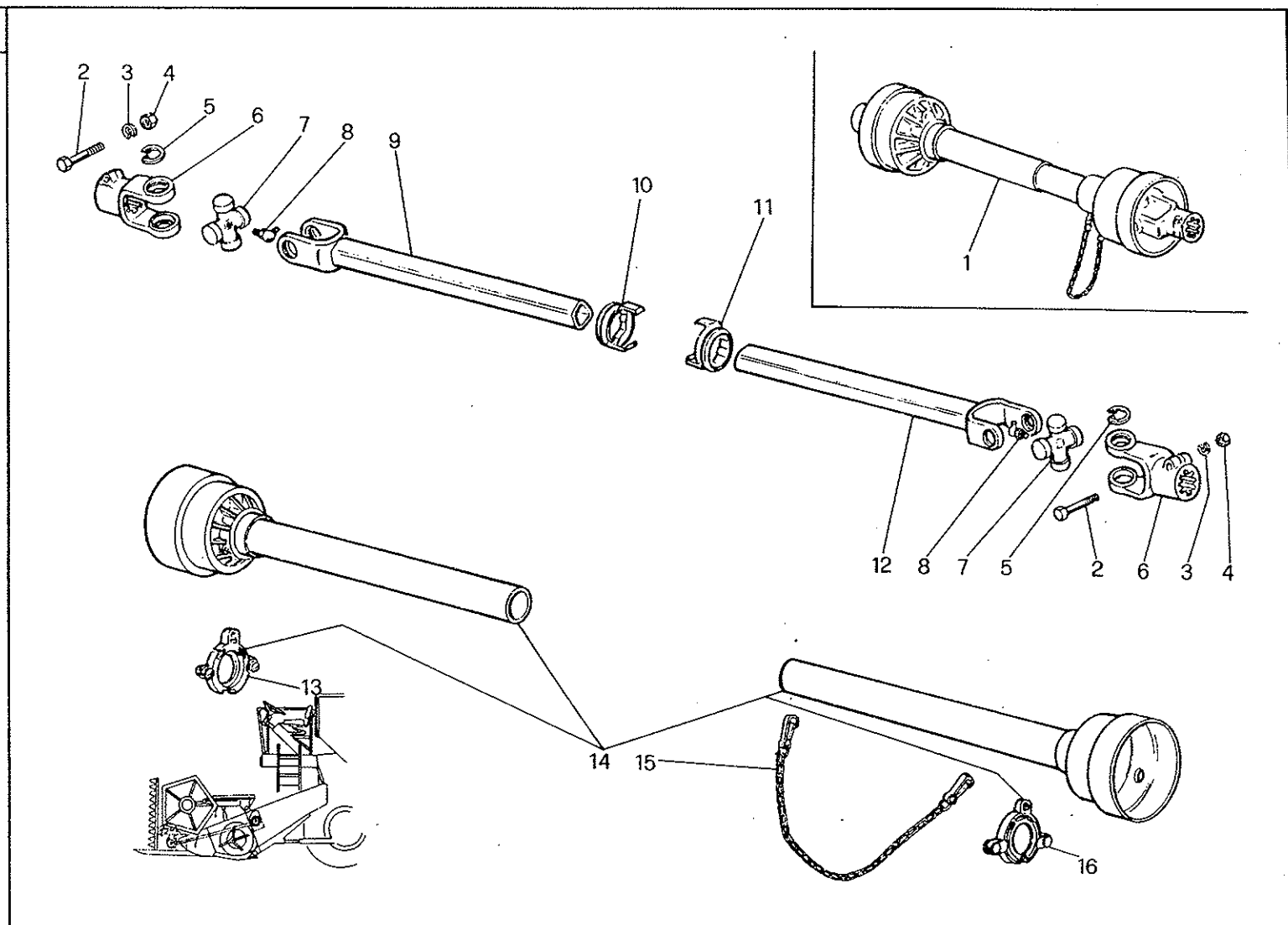
O 67.3 B

5F770V04

6/1983

| MODIF. | RIF. | N° ORDIN. | DENOMINAZIONE | DESIGNATION | DENOMINACIONES | DESCRIPTION | BENENNUNG |
|--------|------|-----------|-------------------------|--------------------|-------------------|-----------------|----------------|
| | 1 | 1.28662 | ALBERO COM. MANOVELLA | ARBRE | ARBOL | SHAFT | WELLE |
| | 2 | 384.540 | CHIAVETTA | CLAVETTE | CHAVETA | KEY | KEIL |
| | 3 | 1.15699 | PROTEZIONE INT. CARDANO | PROTECTEUR | PROTECCION | GUARD | SCHUTZBLECH |
| | 4 | 1.28661 | ALBERO COM. BARRA | ARBRE | ARBOL | SHAFT | WELLE |
| | 5 | 1.28660 | ALBERO RINVIO | ARBRE | ARBOL | SHAFT | WELLE |
| | 6 | 378.740 | SPINA ELASTICA | GOUPILLE ELASTIQUE | PASADOR | ROLL PIN | SPANNUELSE |
| | 7 | 354.110 | ROSETTA ELASTICA | RONDELLE W | ARANDELA ELASTICA | SPRING WASHER | FEDERSCHEIBE |
| | 8 | 650.110 | DADO | ECROU | TUERCA | NUT | MUTTER |
| | 9 | 357.047 | ANELLO ELASTICO | CIRCLIPS | ANILLO ELASTICO | CIRCLIP | SICHERUNGSRING |
| | 10 | 2.2242 | PROTEZIONE CUSCINETTO | PROTECTEUR | PROTECCION | GUARD | SCHUTZBLECH |
| | 11 | 357.120 | ANELLO ELASTICO | CIRCLIPS | ANILLO ELASTICO | CIRCLIP | SICHERUNGSRING |
| | 12 | 401.520 | CUSCINETTO | ROULEMENT | RODAMIENTO | BEARING | LAGER |
| | 13 | 1.6646 | MANOVELLA COMANDO LAMA | MANIVELLE | MANIVELA | HANDLE | KURBEL |
| | 14 | 1.0947 | SUPPORTO | SUPPORT | SOPORTE | SUPPORT | HALTERUNG |
| | 15 | 401.525 | CUSCINETTO | ROULEMENT | RODAMIENTO | BEARING | LAGER |
| | 16 | 621.1016 | VITE | VIS | TORNILLO | SCREW | SCHRAUBE |
| | 17 | 378.735 | SPINA ELASTICA | GOUPILLE ELASTIQUE | PASADOR | ROLL PIN | SPANNUELSE |
| | 18 | 1.15280 | ALBERO INTERMEDIO | ARBRE | ARBOL | SHAFT | WELLE |
| | 19 | 650.108 | DADO | ECROU | TUERCA | NUT | MUTTER |
| | 20 | 354.108 | ROSETTA ELASTICA | RONDELLE W | ARANDELA ELASTICA | SPRING WASHER | FEDERSCHEIBE |
| | 21 | 411.012 | SUPPORTO CUSCINETTO | PALIER | COJINETE | BEARING SUPPORT | LAGERHALTER |
| | 22 | 411.404 | FLANGIA CUSCINETTO | FLASQUE | BRIDA | FLANGE | LAGERFLANSCH |
| | 23 | 411.204 | CUSCINETTO | ROULEMENT | RODAMIENTO | BEARING | LAGER |
| | 24 | 621.1020 | VITE | VIS | TORNILLO | SCREW | SCHRAUBE |
| | 25 | 355.01130 | RONDELLA | RONDELLE | ARANDELA | WASHER | SCHEIBE |
| | 26 | 1.15282 | SUPPORTO INTERMEDIO | SUPPORT | SOPORTE | SUPPORT | HALTERUNG |
| | 27 | 1.15698 | PROTEZIONE EST. CARDANO | PROTECTEUR | PROTECCION | GUARD | SCHUTZBLECH |
| | 28 | 621.0814 | VITE | VIS | TORNILLO | SCREW | SCHRAUBE |

| MODIF. | RIF. | N° ORDIN. | QUANT. | NOTE |
|--------|------|------------|--------|------|
| | 1 | 1.15689.00 | 1 | |
| | 2 | 611.1028 | (2) | |
| | 3 | 354.110 | (2) | |
| | 4 | 650.110 | (2) | |
| | 5 | 357.022 | (8) | |
| | 6 | 1.28972 | (2) | |
| | 7 | 1.28973.00 | (2) | |
| | 8 | 357.804 | (2) | |
| | 9 | 1.28974 | (1) | |
| | 10 | 1.28975 | (1) | |
| | 11 | 1.28976 | (1) | |
| | 12 | 1.28977 | (1) | |
| | 13 | 1.28979.00 | (1) | |
| | 14 | 1.28978.00 | (1) | |
| | 15 | 3.2676 | (1) | |
| | 16 | 1.28980.00 | (1) | |



C 310

6/1983

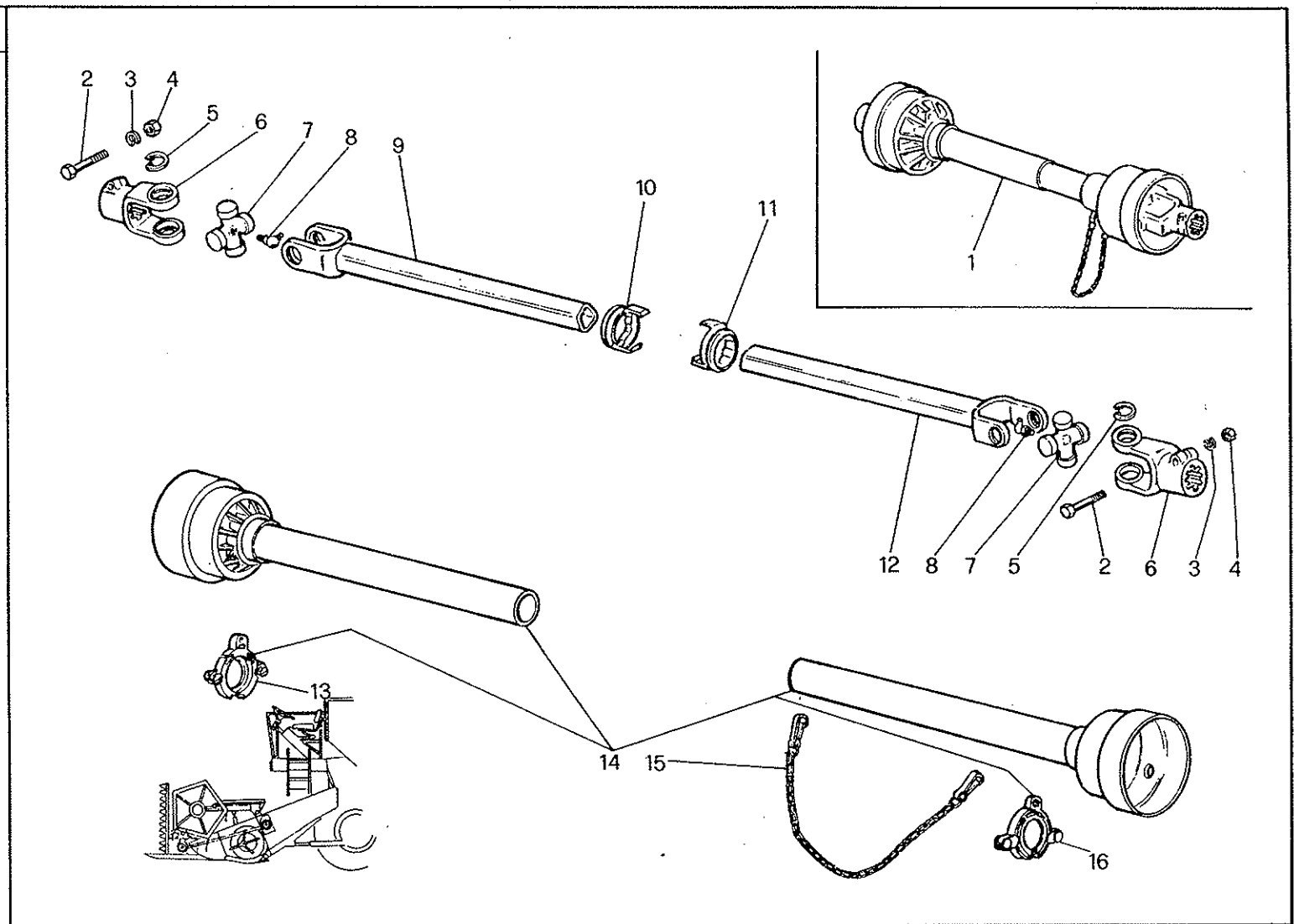
BARRA VERTICALE - ALBERO CARDANICO
 BARRE VERTICAL - TRANSMISSION A CARDAN
 BARRA VERTICAL - ARBOL DEL CARDAN
 VERTICAL KNIFE - DRIVE SHAFT
 RAPSSCHERE - ZAPFWELLE

O 67 . 4 A

5F770V04

| MODIF. | RIF. | N° ORDIN. | DENOMINAZIONE | DESIGNATION | DENOMINACIONES | DESCRIPTION | BENENNUNG |
|--------|------|------------|---------------------------------|-----------------|---------------------|---------------------|-----------------|
| | 1 | 1.15689.00 | COMPLESSIVO ALBERO CARDANICO | ARBRE CPT | CONJUNTO ARBOL | SHAFT, ASSY | WELLE KPL |
| | 2 | 611.1028 | VITE | VIS | TORNILLO | SCREW | SCHRAUBE |
| | 3 | 354.110 | ROSETTA ELASTICA | RONDELLE W | ARANDELA ELASTICA | SPRING WASHER | FEDERSCHEIBE |
| | 4 | 650.110 | DADO | ECROU | TUERCA | NUT | MUTTER |
| | 5 | 357.022 | ANELLO ELASTICO | CIRCLIPS | ANILLO ELASTICO | CIRCLIP | SICHERUNGSRING |
| | 6 | 1.28972 | FORCELLA | FOURCHETTE | HORQUILLA | FORK | GABEL |
| | 7 | 1.28973.00 | COMPLESSIVO CROCIERA | CROISSILLON CPR | CONJUNTO CRUCETA | CROSS JOURNAL, ASSY | KUPPLUNG KPL |
| | 8 | 357.804 | INGRASSATORE | GRAISSEUR | ENGRASADOR | GREASE NIPPLE | SCHMIERNIPPEL |
| | 9 | 1.28974 | ALBERO ESTERNO | ARBRE | ARBOL | SHAFT | WELLE |
| | 10 | 1.28975 | GHIERA PER TUBO ESTERNO | BAGUE | VIROLA | RING NUT | GEWINDERING |
| | 11 | 1.28976 | GHIERA PER TUBO INTERNO | BAGUE | VIROLA | RING NUT | GEWINDERING |
| | 12 | 1.28977 | ALBERO INTERNO | ARBRE | ARBOL | SHAFT | WELLE |
| | 13 | 1.28979.00 | GHIERA PER PROTEZIONE ESTERNA | BAGUE | VIROLA | RING NUT | GEWINDERING |
| | 14 | 1.28978.00 | PROTEZIONE COMPLETA | PROTECTEUR CPT | CONJUNTO PROTECCION | GUARD, ASSY | SCHUTZBLECH KPL |
| | 15 | 3.2676 | CATENA PER PROTEZIONI | CHAINE | CADENA | CHAIN | KETTE |
| | 16 | 1.28980.00 | GHIERA PER PROTEZIONE INTERNA | BAGUE | VIROLA | RING NUT | GEWINDERING |

| MODIF. | RIF. | N° ORDIN. | QUANT. | NOTE |
|--------|------|------------|--------|------|
| | 1 | 1.15690.00 | 1 | |
| | 2 | 611.1028 | (2) | |
| | 3 | 354.110 | (2) | |
| | 4 | 650.110 | (2) | |
| | 5 | 357.022 | (8) | |
| | 6 | 1.28972 | (2) | |
| | 7 | 1.28973 | (2) | |
| | 8 | 357.804 | (2) | |
| | 9 | 1.28981 | (1) | |
| | 10 | 1.28975 | (1) | |
| | 11 | 1.28976 | (1) | |
| | 12 | 1.28982 | (1) | |
| | 13 | 1.28979.00 | (1) | |
| | 14 | 1.28983.00 | (1) | |
| | 15 | 3.2676 | (1) | |
| | 16 | 1.28980.00 | (1) | |



C 360

6/1983

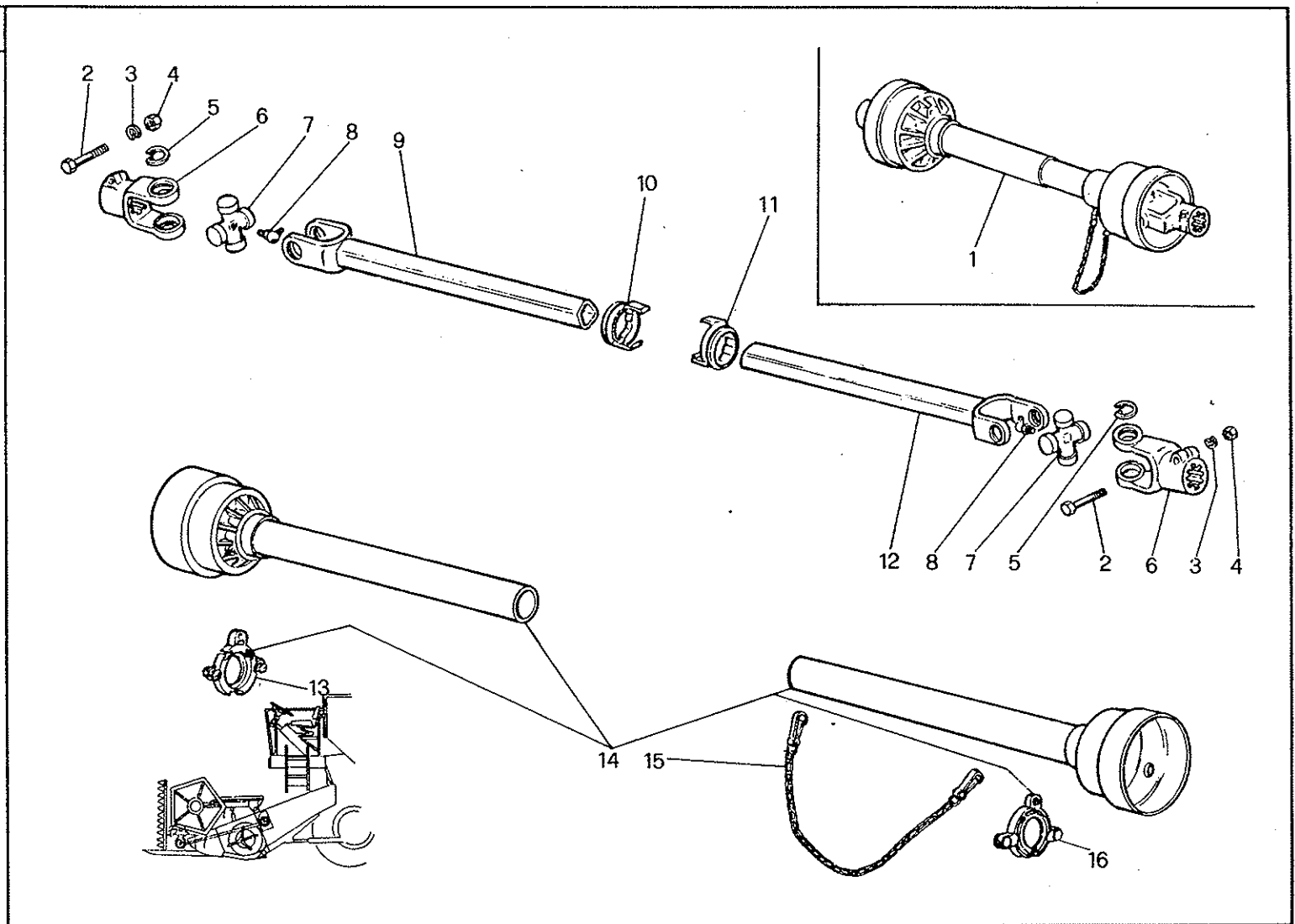
BARRA VERTICALE - ALBERO CARDANICO
 BARRE VERTICAL - TRANSMISSION A CARDAN
 BARRA VERTICAL - ARBOL DEL CARDAN
 VERTICAL KNIFE - DRIVE SHAFT
 RAPSSCHERE - ZAPFWELLE

O 67 . 4 B

SF770V04

| MODIF. | RIF. | N° ORDIN. | DENOMINAZIONE | DESIGNATION | DENOMINACIONES | DESCRIPTION | BENENNUNG |
|--------|------|------------|---------------------------------|----------------|---------------------|---------------------|-----------------|
| | 1 | 1.15690.00 | COMPLESSIVO ALBERO CARDANICO | ARBRE CPT | CONJUNTO ARBOL | SHAFT, ASSY | WELLE KPL |
| | 2 | 611.1028 | VITE | VIS | TORNILLO | SCREW | SCHRAUBE |
| | 3 | 354.110 | ROSETTA ELASTICA | RONDELLE W | ARANDELA ELASTICA | SPRING WASHER | FEDERSCHEIBE |
| | 4 | 650.110 | DADO | ECROU | TUERCA | NUT | MUTTER |
| | 5 | 357.022 | ANELLO ELASTICO | CIRCLIPS | ANILLO ELASTICO | CIRCLIP | SICHERUNGSRING |
| | 6 | 1.28972 | FORCELLA | FOURCHETTE | HORQUILLA | FORK | GABEL |
| | 7 | 1.28973.00 | COMPLESSIVO CROCIERA | CROISILLON CPT | CONJUNTO CRUCETA | CROSS JOURNAL, ASSY | KUPPLUNG KPL |
| | 8 | 357.804 | INGRASSATORE | GRAISSEUR | ENGRASADOR | GREASE NIPPLE | SCHMIERNIPPEL |
| | 9 | 1.28981 | ALBERO ESTERNO | ARBRE | ARBOL | SHAFT | WELLE |
| | 10 | 1.28975 | GHIERA PER TUBO ESTERNO | BAGUE | VIROLA | RING NUT | GEWINDERING |
| | 11 | 1.28976 | GHIERA PER TUBO INTERNO | BAGUE | VIROLA | RING NUT | GEWINDERING |
| | 12 | 1.28982 | ALBERO INTERNO | ARBRE | ARBOL | SHAFT | WELLE |
| | 13 | 1.28979.00 | GHIERA PER PROTEZIONE ESTERNA | BAGUE | VIROLA | RING NUT | GEWINDERING |
| | 14 | 1.28983.00 | PROTEZIONE COMPLETA | PROTECTEUR CPT | CONJUNTO PROTECCION | GUARD, ASSY | SCHUTZBLECH KPL |
| | 15 | 3.2676 | CATENA PER PROTEZIONI | CHAINE | CADENA | CHAIN | KETTE |
| | 16 | 1.28980.00 | GHIERA PER PROTEZIONE INTERNA | BAGUE | VIROLA | RING NUT | GEWINDERING |

| MODIF. | RIF. | N° ORDIN. | QUANT. | NOTE |
|--------|------|------------|--------|------|
| | 1 | 1.15691.00 | 1 | |
| | 2 | 611.1028 | (2) | |
| | 3 | 354.110 | (2) | |
| | 4 | 650.110 | (2) | |
| | 5 | 357.022 | (8) | |
| | 6 | 1.28972 | (2) | |
| | 7 | 1.28973 | (2) | |
| | 8 | 357.804 | (2) | |
| | 9 | 1.28984 | (1) | |
| | 10 | 1.28975 | (1) | |
| | 11 | 1.28976 | (1) | |
| | 12 | 1.28985 | (1) | |
| | 13 | 1.28979.00 | (1) | |
| | 14 | 1.28986.00 | (1) | |
| | 15 | 3.2676 | (1) | |
| | 16 | 1.28980.00 | (1) | |



C 420

6/1983

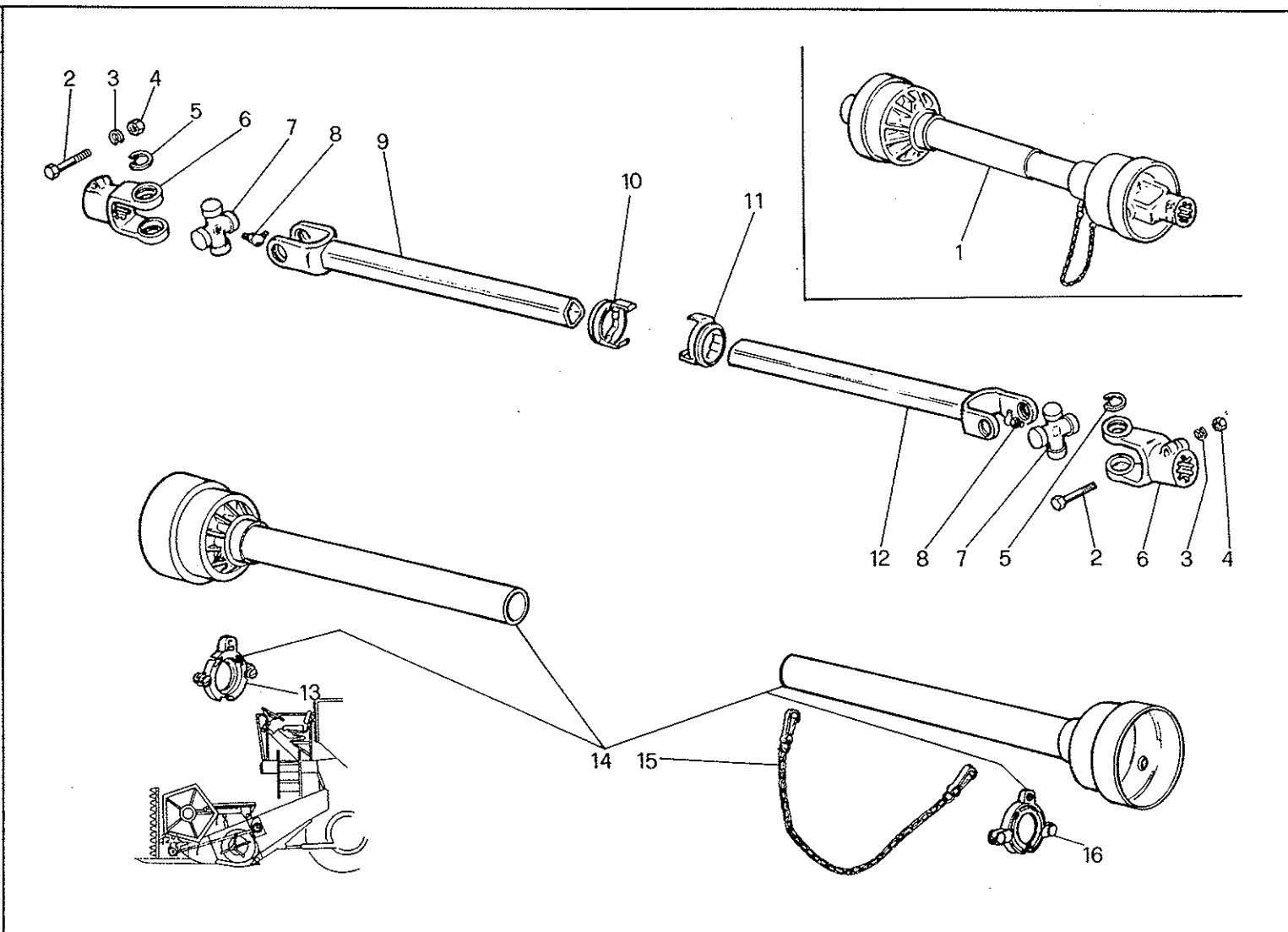
BARRA VERTICALE - ALBERO CARDANICO
 BARRE VERTICAL - TRANSMISSION A CARDAN
 BARRA VERTICAL - ARBOL DEL CARDAN
 VERTICAL KNIFE - DRIVE SHAFT
 RAPSSCHERE - ZAPFWELLE

O 67 . 4 D

5F770V04

| MODIF. | RIF. | N° ORDIN. | DENOMINAZIONE | DESIGNATION | DENOMINACIONES | DESCRIPTION | BENENNUNG |
|--------|------|------------|---------------------------------|----------------|---------------------|---------------------|-----------------|
| | 1 | 1.15691.00 | COMPLESSIVO ALBERO CARDANICO | ARBRE CPT | CONJUNTO ARBOL | SHAFT, ASSY | WELLE KPL |
| | 2 | 611.1028 | VITE | VIS | TORNILLO | SCREW | SCHRAUBE |
| | 3 | 354.110 | ROSETTA ELASTICA | RONDELLE W | ARANDELA ELASTICA | SPRING WASHER | FEDERSCHEIBE |
| | 4 | 650.110 | DADO | ECROU | TUERCA | NUT | MUTTER |
| | 5 | 357.022 | ANELLO ELASTICO | CIRCLIPS | ANILLO ELASTICO | CIRCLIP | SICHERUNGSRING |
| | 6 | 1.28972 | FORCELLA | FOURCHETTE | HORQUILLA | FORK | GABEL |
| | 7 | 1.28973.00 | COMPLESSIVO CROCIERA | CROISILLON CPT | CONJUNTO CRUCETA | CROSS JOURNAL, ASSY | KUPPLUNG KPL |
| | 8 | 357.804 | INGRASSATORE | GRAISSEUR | ENGRASADOR | GREASE NIPPLE | SCHMIERNIPPEL |
| | 9 | 1.28984 | ALBERO ESTERNO | ARBRE | ARBOL | SHAFT | WELLE |
| | 10 | 1.28975 | GHIERA PER TUBO ESTERNO | BAGUE | VIROLA | RING NUT | GEWINDERING |
| | 11 | 1.28976 | GHIERA PER TUBO INTERNO | BAGUE | VIROLA | RING NUT | GEWINDERING |
| | 12 | 1.28985 | ALBERO INTERNO | ARBRE | ARBOL | SHAFT | WELLE |
| | 13 | 1.28979.00 | GHIERA PER PROTEZIONE ESTERNA | BAGUE | VIROLA | RING NUT | GEWINDERING |
| | 14 | 1.28986.00 | PROTEZIONE COMPLETA | PROTECTEUR CPT | CONJUNTO PROTECCION | GUARD, ASSY | SCHUTZBLECH KPL |
| | 15 | 3.2676 | CATENA PER PROTEZIONI | CHAINE | CADENA | CHAIN | KETTE |
| | 16 | 1.28980.00 | GHIERA PER PROTEZIONE INTERNA | BAGUE | VIROLA | RING NUT | GEWINDERING |

| MODIF. | RIF. | N° ORDIN. | QUANT. | NOTE |
|--------|------|------------|--------|------|
| | 1 | 1.15692.00 | 1 | |
| | 2 | 611.1028 | (2) | |
| | 3 | 354.110 | (2) | |
| | 4 | 650.110 | (2) | |
| | 5 | 357.022 | (8) | |
| | 6 | 1.28972 | (2) | |
| | 7 | 1.28973.00 | (2) | |
| | 8 | 357.804 | (2) | |
| | 9 | 1.28987 | (1) | |
| | 10 | 1.28975 | (1) | |
| | 11 | 1.28976 | (1) | |
| | 12 | 1.28988 | (1) | |
| | 13 | 1.28979.00 | (1) | |
| | 14 | 1.28989.00 | (1) | |
| | 15 | 3.2676 | (1) | |
| | 16 | 1.28980.00 | (1) | |



C 480

6/1983

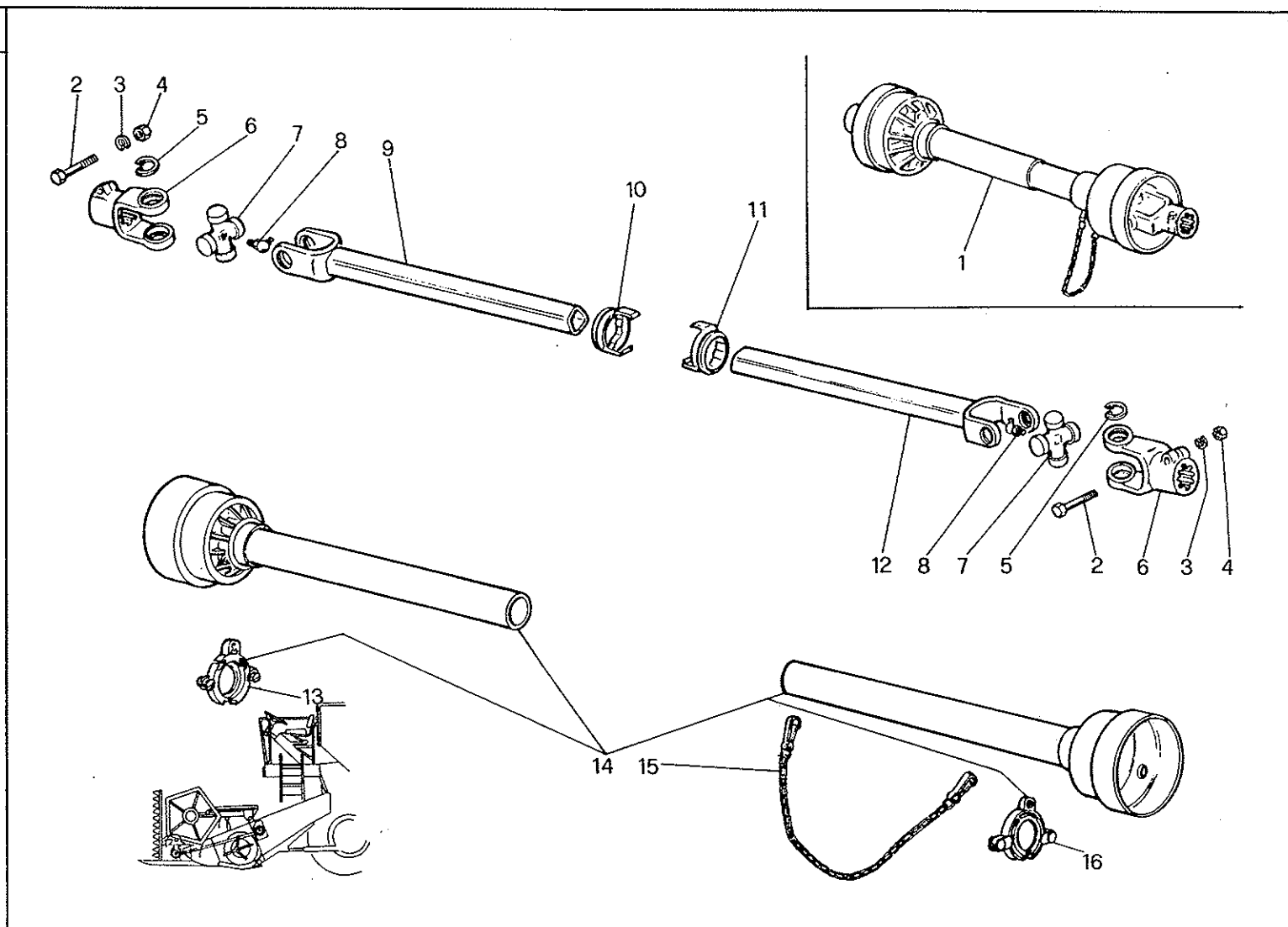
BARRA VERTICALE - ALBERO CARDANICO
 BARRE VERTICAL - TRANSMISSION A CARDAN
 BARRA VERTICAL - ARBOL DEL CARDAN
 VERTICAL KNIFE - DRIVE SHAFT
 RAPSSCHERE - ZAPFWELLE

O 67 . 4 E

5F770V04

| MODIF. | RIF. | N° ORDIN. | DENOMINAZIONE | DESIGNATION | DENOMINACIONES | DESCRIPTION | BENENNUNG |
|--------|------|------------|---------------------------------|----------------|---------------------|---------------------|-----------------|
| | 1 | 1.15692.00 | COMPLESSIVO ALBERO CARDANICO | ARBRE CPT | CONJUNTO ARBOL | SHAFT, ASSY | WELLE KPL |
| | 2 | 611.1028 | VITE | VIS | TORNILLO | SCREW | SCHRAUBE |
| | 3 | 354.110 | ROSETTA ELASTICA | RONDELLE W | ARANDELA ELASTICA | SPRING WASHER | FEDERSCHEIBE |
| | 4 | 650.110 | DADO | ECROU | TUERCA | NUT | MUTTER |
| | 5 | 357.022 | ANELLO ELASTICO | CIRCLIPS | ANILLO ELASTICO | CIRCLIP | SICHERUNGSRING |
| | 6 | 1.28972 | FORCELLA | FOURCHETTE | HORQUILLA | FORK | GABEL |
| | 7 | 1.28973.00 | COMPLESSIVO CROCIERA | CROISILLON CPT | CONJUNTO CRUCETA | CROSS JOURNAL, ASSY | KUPPLUNG KPL |
| | 8 | 357.804 | INGRASSATORE | GRAISSEUR | ENGRASADOR | GREASE NIPPLE | SCHMIERNIPPEL |
| | 9 | 1.28987 | ARBERO ESTERNO | ARBRE | ARBOL | SHAFT | WELLE |
| | 10 | 1.28975 | GHIERA PER TUBO ESTERNO | BAGUE | VIROLA | RING NUT | GEWINDERING |
| | 11 | 1.28976 | GHIERA PER TUBO INTERNO | BAGUE | VIROLA | RING NUT | GEWINDERING |
| | 12 | 1.28988 | ALBERO INTERNO | ARBRE | ARBOL | SHAFT | WELLE |
| | 13 | 1.28979.00 | GHIERA PER PROTEZIONE ESTERNA | BAGUE | VIROLA | RING NUT | GEWINDERING |
| | 14 | 1.28989.00 | PROTEZIONE COMPLETA | PROTECTEUR CPT | CONJUNTO PROTECCION | GUARD, ASSY | SCHUTZBLECH KPL |
| | 15 | 3.2676 | CATENA PER PROTEZIONI | CHAINE | CADENA | CHAIN | KETTE |
| | 16 | 1.28980.00 | GHIERA PER PROTEZIONE INTERNA | BAGUE | VIROLA | RING NUT | GEWINDERING |

| MODIF. | RIF. | N° ORDIN. | QUANT. | NOTE |
|--------|------|------------|--------|------|
| | 1 | 1.15693.00 | 1 | |
| | 2 | 611.1028 | (2) | |
| | 3 | 354.110 | (2) | |
| | 4 | 650.110 | (2) | |
| | 5 | 357.022 | (8) | |
| | 6 | 1.28972 | (2) | |
| | 7 | 1.28973.00 | (2) | |
| | 8 | 357.804 | (2) | |
| | 9 | 1.28990 | (1) | |
| | 10 | 1.28975 | (1) | |
| | 11 | 1.28976 | (1) | |
| | 12 | 1.28988 | (1) | |
| | 13 | 1.28979.00 | (1) | |
| | 14 | 1.28991.00 | (1) | |
| | 15 | 3.2676 | (1) | |
| | 16 | 1.28980.00 | (1) | |



C 540

6/1983

BARRA VERTICALE - ALBERO CARDANICO
 BARRE VERTICAL - TRANSMISSION A CARDAN
 BARRA VERTICAL - ARBOL DEL CARDAN
 VERTICAL KNIFE - DRIVE SHAFT
 RAPSSCHERE - ZAPFWELLE

O 67 . 4 F

SF770V04

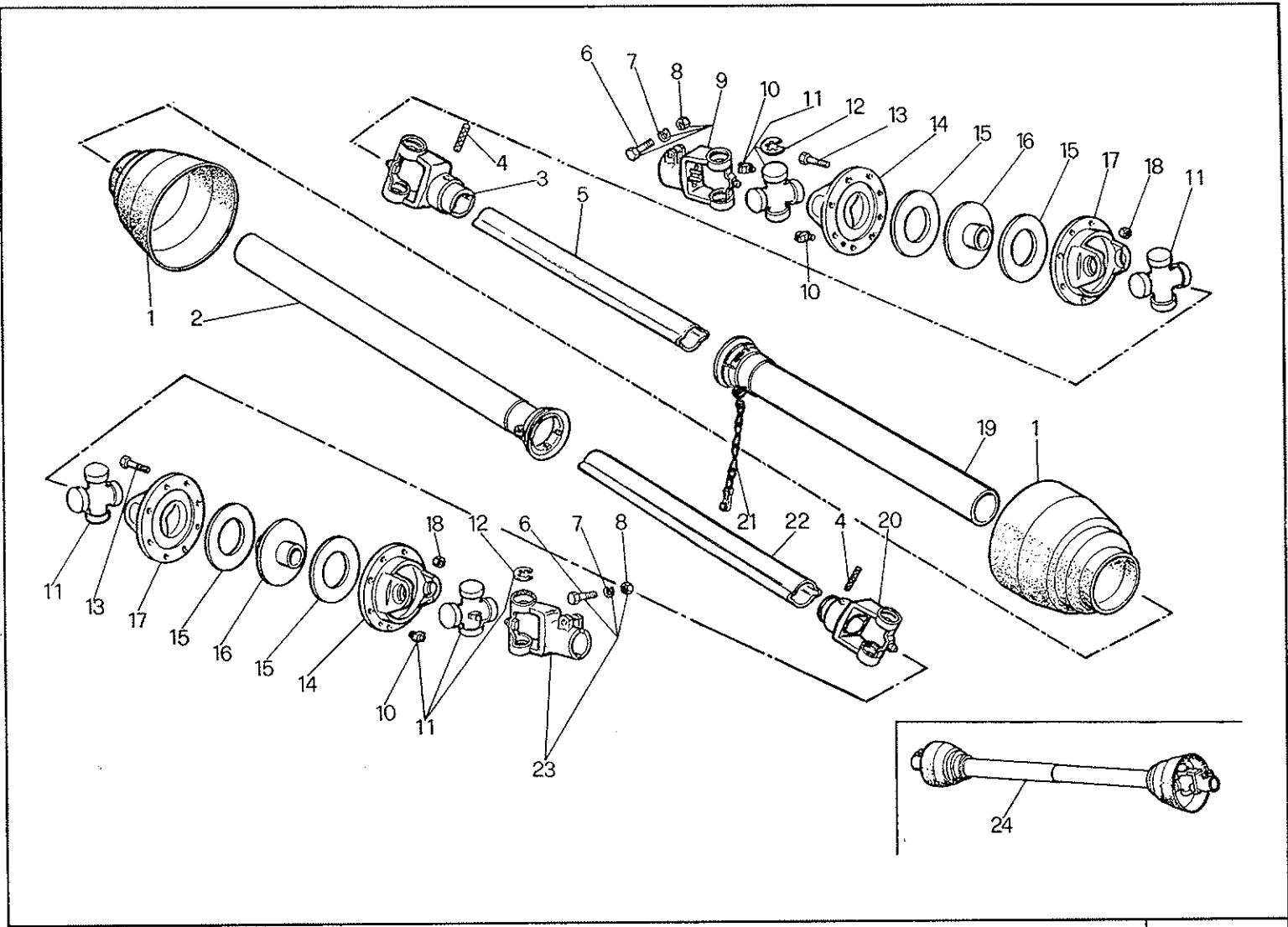
| MODIF. | RIF. | N° ORDIN. | DENOMINAZIONE | DESIGNATION | DENOMINACIONES | DESCRIPTION | BENENNUNG |
|--------|------|------------|---------------------------------|----------------|---------------------|---------------------|-----------------|
| | 1 | 1.15693.00 | COMPLESSIVO ALBERO CARDANICO | ARBRE CPT | CONJUNTO ARBOL | SHAFT, ASSY | WELLE KPL |
| | 2 | 611.1028 | VITE | VIS | TORNILLO | SCREW | SCHRAUBE |
| | 3 | 354.110 | ROSETTA ELASTICA | RONDELLE W | ARANDELA ELASTICA | SPRING WASHER | FEDERSCHEIBE |
| | 4 | 650.110 | DADO | ECROU | TUERCA | NUT | MUTTER |
| | 5 | 357.022 | ANELLO ELASTICO | CIRCLIPS | ANILLO ELASTICO | CIRCLIP | SICHERUNGSRING |
| | 6 | 1.28972 | FORCELLA | FOURCHETTE | HORQUILLA | FORK | GABEL |
| | 7 | 1.28973.00 | COMPLESSIVO CROCIERA | CROISILLON CPT | CONJUNTO CRUCETA | CROSS JOURNAL, ASSY | KUPPLUNG KPL |
| | 8 | 357.804 | INGRASSATORE | GRAISSEUR | ENGRASADOR | GREASE NIPPLE | SCHMIERNIPPEL |
| | 9 | 1.28990 | ALBERO ESTERNO | ARBRE | ARBOL | SHAFT | WELLE |
| | 10 | 1.28975 | GHIERA PER TUBO ESTERNO | BAGUE | VIROLA | RING NUT | GEWINDERING |
| | 11 | 1.28976 | GHIERA PER TUBO INTERNO | BAGUE | VIROLA | RING NUT | GEWINDERING |
| | 12 | 1.28988 | ALBERO INTERNO | ARBRE | ARBOL | SHAFT | WELLE |
| | 13 | 1.28979.00 | GHIERA PER PROTEZIONE ESTERNA | BAGUE | VIROLA | RING NUT | GEWINDERING |
| | 14 | 1.28991.00 | PROTEZIONE COMPLETA | PROTECTEUR CPT | CONJUNTO PROTECCION | GUARD, ASSY | SCHUTZBLECH KPL |
| | 15 | 3.2676 | CATENA PER PROTEZIONI | CHAINE | CADENA | CHAIN | KETTE |
| | 16 | 1.28980.00 | GHIERA PER PROTEZIONE INTERNA | BAGUE | VIROLA | RING NUT | GEWINDERING |

| MODIF. | RIF. | N° ORDIN. | QUANT. | NOTE |
|--------|------|------------|--------|------|
| | 1 | 1.15694.00 | 1 | |
| | 2 | 611.1028 | (2) | |
| | 3 | 354.110 | (2) | |
| | 4 | 650.110 | (2) | |
| | 5 | 357.022 | (8) | |
| | 6 | 1.28972 | (2) | |
| | 7 | 1.28973.00 | (2) | |
| | 8 | 357.804 | (2) | |
| | 9 | 1.28992 | (1) | |
| | 10 | 1.28975 | (1) | |
| | 11 | 1.28976 | (1) | |
| | 12 | 1.28993 | (1) | |
| | 13 | 1.28979.00 | (1) | |
| | 14 | 1.28994.00 | (1) | |
| | 15 | 3.2676 | (1) | |
| | 16 | 1.28980.00 | (1) | |

| | | |
|------------------------------|------------------------------------------------------------------------------------------------------------------------------------------|-------------------|
| C 600 C 660 | COMANDO BARRA VERTICALE COMMANDE BARRE DE COUPE VERTICAL MANDO BARRA VERTICALE VERTICAL KNIFE DRIVE ANTRIEB FUER SENKRECHTES | O 67 . 4 G |
| | 6/1983 | 5F770V04 |

| MODIF. | RIE | N° ORDIN. | DENOMINAZIONE | DESIGNATION | DENOMINACIONES | DESCRIPTION | BENENNUNG |
|--------|-----|------------|---------------------------------|----------------|---------------------|---------------------|-----------------|
| | 1 | 1.15694.00 | COMPLESSIVO ALBERO CARDANICO | ARBRE CPT | CONJUNTO ARBOL | SHAFT, ASSY | WELLE KPL |
| | 2 | 611.1028 | VITE | VIS | TORNILLO | SCREW | SCHRAUBE |
| | 3 | 354.110 | ROSETTA ELASTICA | RONDELLE W | ARANDELA ELASTICA | SPRING WASHER | FEDERSCHEIBE |
| | 4 | 650.110 | DADO | ECROU | TUERCA | NUT | MUTTER |
| | 5 | 357.022 | ANELLO ELASTICO | CIRCLIPS | ANILLO ELASTICO | CIRCLIP | SICHERUNGSRING |
| | 6 | 1.28972 | FORCELLA | FOURCHETTE | HORQUILLA | FORK | GABEL |
| | 7 | 1.28973.00 | COMPLESSIVO CROCIERA | CROISILLON CPT | CONJUNTO CRUCETA | CROSS JOURNAL, ASSY | KUPPLUNG KPL |
| | 8 | 357.804 | INGRASSATORE | GRAISSEUR | ENGRASADOR | GREASE NIPPLE | SCHMIERNIPPEL |
| | 9 | 1.28992 | ARBERO ESTERNO | ARBRE | ARBOL | SHAFT | WELLE |
| | 10 | 1.28975 | GHIERA PER TUBO ESTERNO | BAGUE | VIROLA | RING NUT | GEWINDERING |
| | 11 | 1.28976 | GHIERA PER TUBO INTERNO | BAGUE | VIROLA | RING NUT | GEWINDERING |
| | 12 | 1.28993 | ALBERO INTERNO | ARBRE | ARBOL | SHAFT | WELLE |
| | 13 | 1.28979.00 | GHIERA PER PROTEZIONE ESTERNA | BAGUE | VIROLA | RING NUT | GEWINDERING |
| | 14 | 1.28994.00 | PROTEZIONE COMPLETA | PROTECTEUR CPT | CONJUNTO PROTECCION | GUARD, ASSY | SCHUTZBLECH KPL |
| | 15 | 3.2676 | CATENA PER PROTEZIONI | CHAINE | CADENA | CHAIN | KETTE |
| | 16 | 1.28980.00 | GHIERA PER PROTEZIONE INTERNA | BAGUE | VIROLA | RING NUT | GEWINDERING |

| MODIF. | RIF. | N° ORDIN. | QUANT. | NOTE |
|--------|------|------------|--------|------|
| | 1 | 1.29423 | (2) | |
| | 2 | 1.29583.00 | (1) | |
| | 3 | 1.19833.30 | (1) | |
| | 4 | 378.660 | (2) | |
| | 5 | 1.29585 | (1) | |
| | 6 | 611.1234 | (2) | |
| | 7 | 354.112 | (2) | |
| | 8 | 650.112 | (2) | |
| | 9 | 1.19834.00 | (1) | |
| | 10 | 4.1238.50 | (6) | |
| | 11 | 1.19961.00 | (4) | |
| | 12 | 357.0424 | (16) | |
| | 13 | 621.0618 | (16) | |
| | 14 | 1.19835.30 | (2) | |
| | 15 | 1.19960 | (4) | |
| | 16 | 1.19836 | (2) | |
| | 17 | 1.19835.31 | (2) | |
| | 18 | 650.106 | (16) | |
| | 19 | 1.29584.00 | (1) | |
| | 20 | 1.19833.31 | (1) | |
| | 21 | 1.19837 | (1) | |
| | 22 | 1.29586 | (1) | |
| | 23 | 1.29582.00 | (1) | |
| | 24 | 1.19299.00 | 1 | |



C 420

6/1983

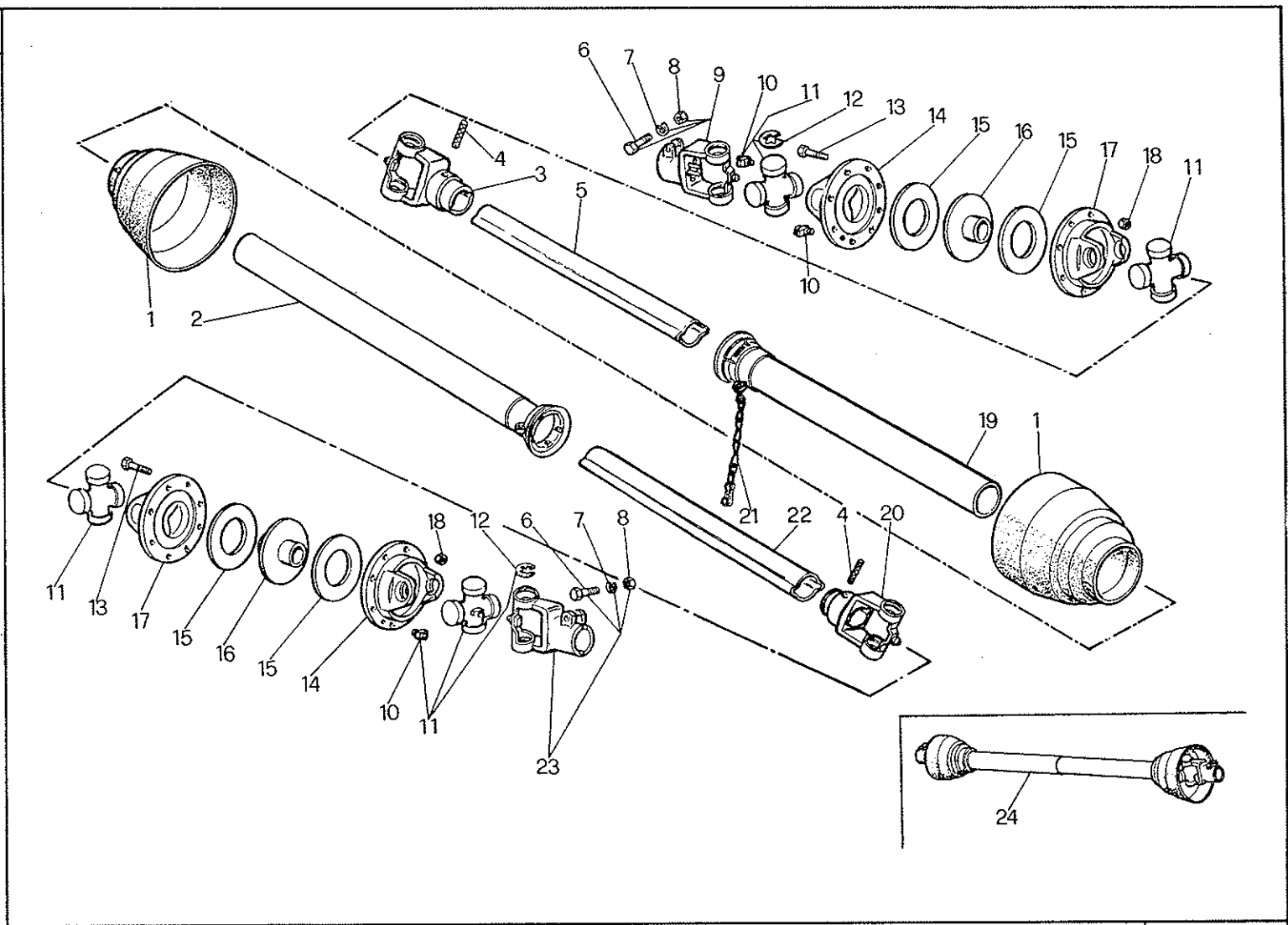
BARRA VERTICALE - ALBERO CARDANICO
 BARRE VERTICAL - TRANSMISSION A CARDAN
 BARRA VERTICAL - ARBOL DEL CARDAN
 VERTICAL KNIFE - DRIVE SHAFT
 RAPSSCHERE - ZAPFWELLE

O 67 . 4 K

5F750G29

| MODIF. | RIF. | N° ORDIN. | DENOMINAZIONE | DESIGNATION | DENOMINACIONES | DESCRIPTION | BENENNUNG |
|--------|------|------------|---------------------------|---------------------|------------------------|--------------------|-----------------|
| | 1 | 1.29423 | PROTEZIONE FORCELLA | PROTECTEUR | PROTECCION | GUARD | SCHUTZBLECH |
| | 2 | 1.29583.00 | COMPL. PROTEZIONE ALBERO | PROTECTEUR CPT | CONJ. PROTECCION | GUARD, ASSY | SCHUTZBLECH KPL |
| | 3 | 1.19833.30 | FORCELLA ALBERO ESTERNO | FOURCHETTE | HORQUILLA | FORK | GABEL |
| | 4 | 378.660 | SPINA ELASTICA | GOUPILLE ELASTIQUE | PASADOR | ROLL PIN | SPANNUELSE |
| | 5 | 1.29585 | ALBERO ESTERNO | ARBRE | ARBOL | SHAFT | WELLE |
| | 6 | 611.1234 | VITE | VIS | TORNILLO | SCREW | SCHRAUBE |
| | 7 | 354.112 | ROSETTA ELASTICA | RONDELLE W | ARANDELA ELASTICA | SPRING WASHER | FEDERSCHEIBE |
| | 8 | 650.112 | DADO | ECROU | TUERCA | NUT | MUTTER |
| | 9 | 1.19834.00 | COMPL. FORCELLA SCANALATA | FOURCHE CPT | CONJ. HORQUILLA | FORK, ASSY | GABEL KPL |
| | 10 | 4.1238.50 | INGRASSATORE | GRAISSEUR | ENGRASADOR | GREASE NIPPLE | SCHMIERNIPPEL |
| | 11 | 1.19961.00 | COMPLESSIVO CROCIERA | CROISILLON CPT | CONJ. CRUCETA | CROSS JURNAL, ASSY | KUPPLUNG KPL |
| | 12 | 357.0424 | ANELLO ELASTICO | CIRCLIPS | ANILLO ELASTICO | CIRCLIP | SICHERUNGSRING |
| | 13 | 621.0618 | VITE | VIS | TORNILLO | SCREW | SCHRAUBE |
| | 14 | 1.19835.30 | SEMISCATOLA ESTERNA | DEMI-CARTER EXT. | SEMI-CAJA EXT. | OUTER HALF-COVER | GEHAUSE |
| | 15 | 1.19960 | DISCO | DISQUE | DISCO | DISC | SCHIEBE |
| | 16 | 1.19836 | FLANGIA | FLASQUE | BRIDA | FLANGE | FLANSCH |
| | 17 | 1.19835.31 | SEMISCATOLA INTERNA | DEMI-CARTER INT. | SEMI-CAJA INT. | INNER HALF-COVER | GEHAUSE |
| | 18 | 650.106 | DADO | ECROU | TUERCA | NUT | MUTTER |
| | 19 | 1.29584.00 | COMPL. PROTEZIONE ALBERO | PROTECTEUR CPT | CONJ. PROTECCION | GUARD, ASSY | SCHUTZBLECH KPL |
| | 20 | 1.19833.31 | FORCELLA ALBERO INT. | FOURCHETTE | HORQUILLA | FORK | GABEL |
| | 21 | 1.19837 | CATENA D'ARRESTO | CHAINE | CADENA | CHAIN | KETTE |
| | 22 | 1.29586 | ALBERO INTERNO | ARBRE | ARBOL | SHAFT | WELLE |
| | 23 | 1.29582.00 | COMPL. FORCELLA CON CAVA | FOURCHE CPT | CONJ. HORQUILLA | FORK, ASSY | GABEL KPL |
| | 24 | 1.19299.00 | COMPL. ALBERO CARDANICO | ARBRE A CARDANS CPT | CONJ. ARBOL DEL CARDAN | DRIVE SHAFT, ASSY | KARDANWELLE KPL |

| MODIF. | RIF. | N° ORDIN. | QUANT. | NOTE |
|--------|------|------------|--------|------|
| | 1 | 1.29423 | (2) | |
| | 2 | 1.29578.00 | (1) | |
| | 3 | 1.19833.30 | (1) | |
| | 4 | 378.660 | (2) | |
| | 5 | 1.29580 | (1) | |
| | 6 | 611.1234 | (2) | |
| | 7 | 354.112 | (2) | |
| | 8 | 650.112 | (2) | |
| | 9 | 1.19834.00 | (1) | |
| | 10 | 4.1238.50 | (6) | |
| | 11 | 1.19961.00 | (4) | |
| | 12 | 357.0424 | (16) | |
| | 13 | 621.0618 | (16) | |
| | 14 | 1.19835.30 | (2) | |
| | 15 | 1.19960 | (4) | |
| | 16 | 1.19836 | (2) | |
| | 17 | 1.19835.31 | (2) | |
| | 18 | 650.106 | (16) | |
| | 19 | 1.29759.00 | (1) | |
| | 20 | 1.19833.31 | (1) | |
| | 21 | 1.19837 | (1) | |
| | 22 | 1.29581 | (1) | |
| | 23 | 1.29582.00 | (1) | |
| | 24 | 1.19151.00 | 1 | |



C 480

6/1983

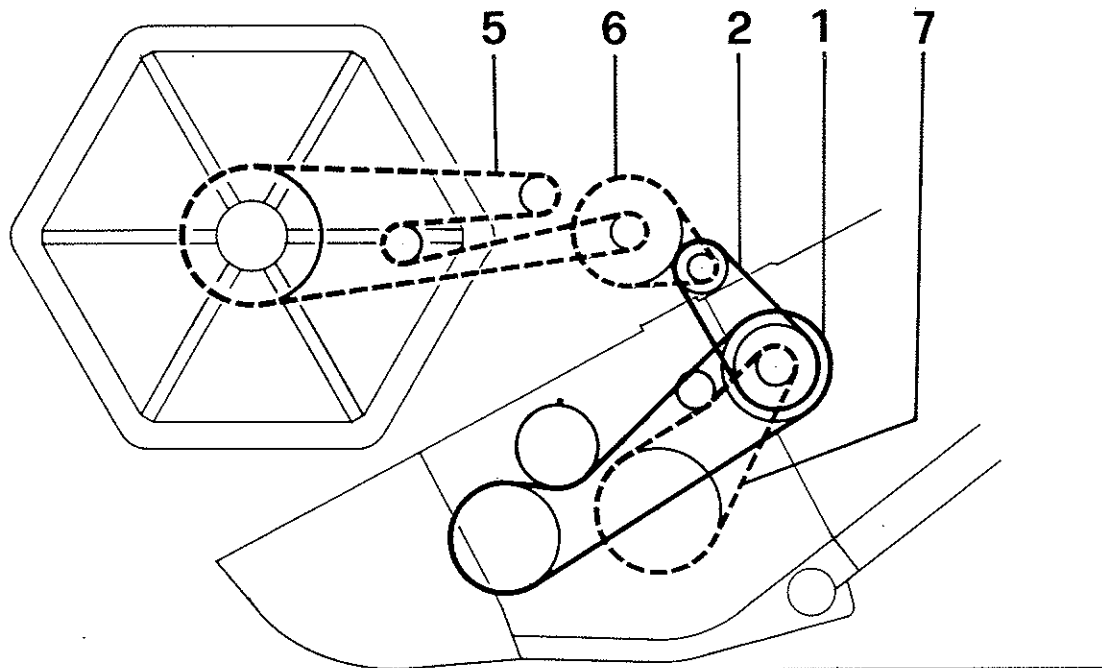
BARRA VERTICALE - ALBERO CARDANICO
 BARRE VERTICAL - TRANSMISSION A CARDAN
 BARRA VERTICAL - ARBOL DEL CARDAN
 VERTICAL KNIFE - DRIVE SHAFT
 RAPSSCHERE - ZAPFWELLE

O 67 . 4 L

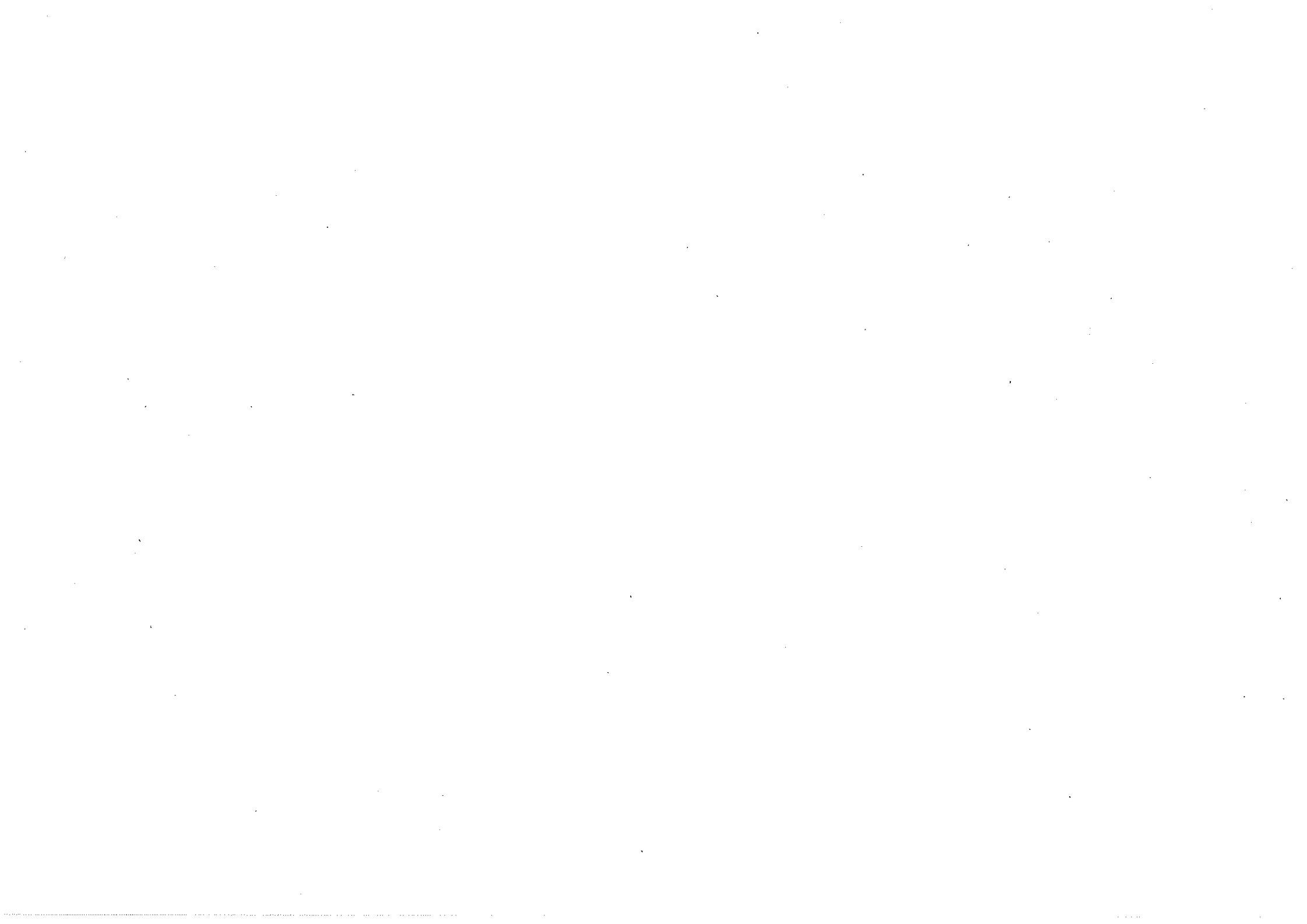
5F750G31

| MODIF. | RIF. | N° ORDIN. | DENOMINAZIONE | DESIGNATION | DENOMINACIONES | DESCRIPTION | BENENNUNG |
|--------|------|------------|---------------------------|---------------------|------------------------|--------------------|-----------------|
| | 1 | 1.29423 | PROTEZIONE FORCELLA | PROTECTEUR | PROTECCION | GUARD | SCHUTZBLECH |
| | 2 | 1.29578.00 | COMPL. PROTEZIONE ALBERO | PROTECTEUR CPT | CONJ. PROTECCION | GUARD, ASSY | SCHUTZBLECH KPL |
| | 3 | 1.19833.30 | FORCELLA ALBERO ESTERNO | FOURCHETTE | HORQUILLA | FORK | GABEL |
| | 4 | 378.660 | SPINA ELASTICA | GOUPILLE ELASTIQUE | PASADOR | ROLL PIN | SPANNUELSE |
| | 5 | 1.29580 | ALBERO ESTERNO | ARBRE | ARBOL | SHAFT | WELLE |
| | 6 | 611.1234 | VITE | VIS | TORNILLO | SCREW | SCHRAUBE |
| | 7 | 354.112 | ROSETTA ELASTICA | RONDELLE W | ARANDELA ELASTICA | SPRING WASHER | FEDERSCHEIBE |
| | 8 | 650.112 | DADO | ECROU | TUERCA | NUT | MUTTER |
| | 9 | 1.19834.00 | COMPL. FORCELLA SCANALATA | FOURCHE CPT | CONJ. HORQUILLA | FORK, ASSY | GABEL KPL |
| | 10 | 4.1238.50 | INGRASSATORE | GRAISSEUR | ENGRASADOR | GREASE NIPPLE | SCHMIERNIPPEL |
| | 11 | 1.19961.00 | COMPLESSIVO CROCIERA | CROISILLON CPT | CONJ. CRUCETA | CROSS JURNAL, ASSY | KUPPLUNG KPL |
| | 12 | 352.0424 | ANELLO ELASTICO | CIRCLIPS | ANILLO ELASTICO | CIRCLIP | SICHERUNGSRING |
| | 13 | 621.0618 | VITE | VIS | TORNILLO | SCREW | SCHRAUBE |
| | 14 | 1.19835.30 | SEMISCATOLA ESTERNA | DEMI-CARTER EXT. | SEMI-CAJA EXT. | OUTER HALF-COVER | GEHAEUSE |
| | 15 | 1.19960 | DISCO | DISQUE | DISC | DISC | SCHEIBE |
| | 16 | 1.19836 | FLANGIA | FLASQUE | BRIDA | FLANGE | FLANSCH |
| | 17 | 1.19835.31 | SEMISCATOLA INTERNA | DEMI-CARTER INT. | SEMI-CAJA INT. | INNER HALF-COVER | GEHAEUSE |
| | 18 | 650.106 | DADO | ECROU | TUERCA | NUT | MUTTER |
| | 19 | 1.29579.00 | COMPL. PROTEZIONE ALBERO | PROTECTEUR CPT | CONJ. PROTECCION | GUARD, ASSY | SCHUTZBLECH KPL |
| | 20 | 1.19833.31 | FORCELLA ALBERO INT. | FOURCHETTE | HORQUILLA | FORK | GABEL |
| | 21 | 1.19837 | CATENA D'ARRESTO | CHAINE | CADENA | CHAIN | KETTE |
| | 22 | 1.29581 | ALBERO INTERNO | ARBRE | ARBOL | SHAFT | WELLE |
| | 23 | 1.29582.00 | COMPL. FORCELLA CON CAVA | FOURCHE CPT | CONJ. HORQUILLA | FORK, ASSY | GABEL KPL |
| | 24 | 1.19151.00 | COMPL. ALBERO CARDANICO | ARBRE A CARDANS CPT | CONJ. ARBOL DEL CARDAN | DRIVE SHAFT, ASSY | KARDANWELLE KPL |

**CINGHIE E CATENE DI TRASMISSIONE - COURROIES ET CHAINES DE TRANSMISSION - CORREAS Y CADENAS DE TRASMISION
DRIVE BELTS AND DRIVE CHAINS - ANTRIEBSRIEMEN UND KETTEN**



| RIF. N° ORDIN. | DENOMINAZIONE | DESIGNATION | DENOMINACION | DESCRIPTION | BANENNUNG |
|----------------|---------------------------------------------------|--------------------------------------------|-----------------------------------------|------------------------------------------|--------------------------------------|
| | CINGHIE: | COURROIES: | CORREAS: | BELTS: | RIEMEN: |
| 1 | 433.418 Comando convertitore | Commande convertisseur | Mando convertidor | Convertor drive | Antrieb fuer konverter |
| 1 | 433.421 Comando convertitore piattaforma avanzata | Commande convertisseur plateforme ralongee | Mando convertidor plataforma adelantada | Convertor drive cutting table extenseded | Antrieb fuer konverter verlaengerter |
| 2 | 434.138 Comando variatore aspo | Commande variateur rabatteur | Mando variador molin. | Reel variator drive | Antrieb fuer haspel |
| | CATENE: | CHAINES: | CADENAS: | CHAIN: | KETTEN: |
| 5 | 457.5141 Comando aspo | Commande rabatteur | Mando molinete | Reel drive | Antrieb fuer haspel |
| 6 | 437.977 Comando rinvio aspo | Commande renvoi de rabatteur | Mando retorno del molinete | Reel return drive | Antrieb fuer uberkehr haspel |
| 7 | 437.5186 Comando coclea alimentazione | Commande vis d'alimentation | Mando del tornillo sin fin | Feeding auger drive | Antrieb fuer enzugschnecke |



ELENCO PARTI DI RICAMBIO -- LISTE DES PIECES DETACHEES -- LISTA DE PIEZAS DE REPUESTO -- SPARE PARTS LIST -- ERSATZTEILLISTE

| NR ORDIN. | TAV. | R. | NR ORDIN. | TAV. | R. | NR ORDIN. | TAV. | R. | NR ORDIN. | TAV. | R. |
|------------|--------|----|------------|------|----|------------|------|----|-----------|------|----|
| 1.0947 | 067.3A | 14 | 1.14393 | Q14 | 6 | 1.14540 | Q1B | 32 | 1.14591 | Q10H | 10 |
| 1.0947 | 067.3B | 14 | 1.14394 | Q13 | 9 | 1.14541 | Q10 | 33 | 1.14591 | Q30B | 1 |
| 1.10828 | Q22A | 11 | 1.14394 | Q14 | 21 | 1.14543 | Q1F | 32 | 1.14592 | Q1A | 15 |
| 1.10828 | Q22B | 11 | 1.14397 | Q16 | 19 | 1.14544 | Q1G | 32 | 1.14592 | Q1B | 15 |
| 1.10828 | Q22D | 11 | 1.14398 | Q16 | 23 | 1.14545 | Q1H | 32 | 1.14592 | Q1D | 15 |
| 1.11304.00 | Q23 | 7 | 1.14399 | Q16 | 12 | 1.14554 | Q6B | 6 | 1.14592 | Q1E | 15 |
| 1.11305 | Q23 | 28 | 1.14403 | Q7 | 5 | 1.14561 | Q6B | 7 | 1.14592 | Q1F | 15 |
| 1.11306 | Q23 | 30 | 1.14405 | Q7 | 23 | 1.14562 | Q6A | 7 | 1.14592 | Q1G | 15 |
| 1.11307 | Q23 | 31 | 1.14410.00 | Q11 | 28 | 1.14563 | Q6D | 7 | 1.14592 | Q1H | 15 |
| 1.11310 | Q23 | 29 | 1.14421 | Q7 | 10 | 1.14582 | Q16 | 20 | 1.14593 | Q10A | 22 |
| 1.12140 | Q10A | 16 | 1.14471 | Q4A | 18 | 1.14585 | Q10A | 7 | 1.14593 | Q10B | 22 |
| 1.12140 | Q10B | 16 | 1.14471 | Q4B | 18 | 1.14585 | Q30B | 1 | 1.14593 | Q10D | 22 |
| 1.12140 | Q10D | 16 | 1.14471 | Q4D | 18 | 1.14585.60 | Q10A | 1 | 1.14593 | Q10E | 22 |
| 1.12140 | Q10E | 16 | 1.14482 | Q13 | 4 | 1.14586 | Q10B | 7 | 1.14593 | Q10F | 26 |
| 1.12140 | Q10F | 19 | 1.14489 | Q1A | 38 | 1.14586 | Q30B | 1 | 1.14593 | Q10G | 26 |
| 1.12140 | Q10G | 19 | 1.14489 | Q1B | 38 | 1.14586.60 | Q10A | 4 | 1.14593 | Q10H | 26 |
| 1.12140 | Q10H | 19 | 1.14489 | Q1D | 39 | 1.14586.60 | Q10B | 1 | 1.14595 | Q1A | 12 |
| 1.12546 | Q27 | 1 | 1.14489 | Q1E | 42 | 1.14586.60 | Q10B | 4 | 1.14595 | Q1B | 12 |
| 1.12785 | Q27 | 2 | 1.14489 | Q1F | 42 | 1.14586.60 | Q10D | 4 | 1.14595 | Q1D | 12 |
| 1.12815 | Q27 | 5 | 1.14489 | Q1G | 42 | 1.14586.60 | Q10E | 4 | 1.14595 | Q1E | 12 |
| 1.13365.00 | Q26A | 13 | 1.14489 | Q1H | 42 | 1.14586.60 | Q10F | 5 | 1.14595 | Q1F | 12 |
| 1.13365.00 | Q26B | 11 | 1.14492 | Q14 | 3 | 1.14586.60 | Q10G | 5 | 1.14595 | Q1G | 12 |
| 1.13972 | Q25A | 9 | 1.14493 | Q13 | 10 | 1.14586.60 | Q10H | 5 | 1.14595 | Q1H | 12 |
| 1.13972 | Q25B | 9 | 1.14494 | Q11 | 24 | 1.14586.62 | Q10A | 3 | 1.14605 | Q1E | 28 |
| 1.13972 | Q25B | 29 | 1.14512 | Q1A | 33 | 1.14586.62 | Q10B | 3 | 1.14605 | Q1F | 28 |
| 1.13973 | Q25A | 3 | 1.14512 | Q1B | 33 | 1.14586.62 | Q10D | 3 | 1.14605 | Q1G | 28 |
| 1.13973 | Q25B | 3 | 1.14512 | Q1D | 34 | 1.14586.62 | Q10E | 3 | 1.14605 | Q1H | 28 |
| 1.13973 | Q25B | 23 | 1.14512 | Q1E | 38 | 1.14586.62 | Q10F | 9 | 1.14608 | Q15A | 23 |
| 1.1430.40 | Q18 | 34 | 1.14512 | Q1F | 38 | 1.14586.62 | Q10G | 9 | 1.14608 | Q15B | 23 |
| 1.14361 | Q12 | 19 | 1.14512 | Q1G | 38 | 1.14586.62 | Q10H | 9 | 1.14608 | Q15D | 23 |
| 1.14361.00 | Q11 | 3 | 1.14512 | Q1H | 38 | 1.14587 | Q10D | 7 | 1.14608 | Q15E | 20 |
| 1.14362 | Q12 | 3 | 1.14513 | Q1A | 4 | 1.14587 | Q30B | 1 | 1.14608 | Q15F | 20 |
| 1.14363 | Q12 | 31 | 1.14513 | Q1B | 4 | 1.14587.60 | Q10D | 1 | 1.14608 | Q15G | 20 |
| 1.14364 | Q11 | 18 | 1.14513 | Q1D | 4 | 1.14588 | Q10E | 7 | 1.14608 | Q15H | 20 |
| 1.14365 | Q12 | 23 | 1.14513 | Q1E | 4 | 1.14588 | Q30B | 1 | 1.14608 | Q15M | 23 |
| 1.14369 | Q12 | 11 | 1.14513 | Q1F | 4 | 1.14588.60 | Q10E | 1 | 1.14608 | Q15N | 23 |
| 1.14379 | Q17 | 16 | 1.14513 | Q1G | 4 | 1.14589 | Q10F | 10 | 1.14608 | Q15P | 23 |
| 1.14381 | Q17 | 14 | 1.14513 | Q1H | 4 | 1.14589 | Q30B | 1 | 1.14608 | Q15Q | 20 |
| 1.14382 | Q17 | 10 | 1.14516 | Q1A | 20 | 1.14589.60 | Q10F | 1 | 1.14608 | Q15R | 20 |
| 1.14383 | Q17 | 19 | 1.14516 | Q1B | 20 | 1.14589.61 | Q10F | 4 | 1.14608 | Q15S | 20 |
| 1.14384 | Q17 | 8 | 1.14516 | Q1D | 20 | 1.14589.61 | Q10G | 4 | 1.14608 | Q15T | 20 |
| 1.14390 | Q4A | 12 | 1.14516 | Q1E | 20 | 1.14589.61 | Q10H | 4 | 1.14612 | Q9A | 22 |
| 1.14390 | Q4B | 12 | 1.14516 | Q1F | 20 | 1.14590 | Q10G | 10 | 1.14618 | Q12 | 14 |
| 1.14390 | Q4D | 12 | 1.14516 | Q1G | 20 | 1.14590 | Q30B | 1 | 1.14619 | Q5A | 10 |
| 1.14391 | Q17 | 21 | 1.14516 | Q1H | 20 | 1.14590.60 | Q10G | 1 | 1.14619 | Q5B | 10 |
| 1.14393 | Q13 | 5 | 1.14539 | Q1A | 32 | 1.14590.60 | Q10H | 1 | 1.14619 | Q5D | 10 |

ELENCO PARTI DI RICAMBIO -- LISTE DES PIECES DETACHEES -- LISTA DE PIEZAS DE REPUESTO -- SPARE PARTS LIST -- ERSATZTEILLISTE

| NR ORDIN. | TAV. | R. | NR ORDIN. | TAV. | R. | NR ORDIN. | TAV. | R. | NR ORDIN. | TAV. | R. |
|-----------|------|----|------------|------|----|------------|--------|----|------------|--------|----|
| 1.14619 | Q5E | 15 | 1.14803 | Q1F | 24 | 1.15127 | Q1F | 34 | 1.15350 | Q19E | 10 |
| 1.14619 | Q5F | 15 | 1.14803 | Q1H | 45 | 1.15127 | Q1G | 34 | 1.15351.00 | Q19E | 16 |
| 1.14619 | Q5G | 15 | 1.14818 | Q25A | 5 | 1.15127 | Q1H | 34 | 1.15357 | Q14 | 38 |
| 1.14619 | Q5H | 15 | 1.14818 | Q25B | 5 | 1.15150 | Q5A | 25 | 1.15361 | Q23 | 22 |
| 1.14622 | Q12 | 9 | 1.14818 | Q25B | 25 | 1.15150 | Q5B | 25 | 1.15362 | Q23 | 2 |
| 1.14623 | Q2 | 4 | 1.14836 | Q1A | 31 | 1.15150 | Q5D | 25 | 1.15363.00 | Q23 | 24 |
| 1.14624 | Q2 | 13 | 1.14845 | Q1B | 31 | 1.15150 | Q5D | 29 | 1.15364.00 | Q23 | 24 |
| 1.14626 | Q22A | 6 | 1.14846 | Q1D | 32 | 1.15189 | Q30A | 1 | 1.15366.00 | Q23 | 24 |
| 1.14626 | Q22B | 6 | 1.14848 | Q1F | 31 | 1.15190 | Q30A | 1 | 1.15367.00 | Q23 | 6 |
| 1.14626 | Q22D | 6 | 1.14849 | Q1G | 31 | 1.15192 | Q30A | 1 | 1.15368.00 | Q23 | 37 |
| 1.14626 | Q22E | 3 | 1.14850 | Q1H | 31 | 1.15193 | Q30A | 1 | 1.15369 | Q23 | 5 |
| 1.14626 | Q22F | 3 | 1.14863 | Q8 | 8 | 1.15194 | Q30A | 1 | 1.15440 | Q8D | 20 |
| 1.14626 | Q22G | 3 | 1.14877 | Q9A | 1 | 1.15195 | Q30A | 1 | 1.15440 | Q8G | 20 |
| 1.14626 | Q22H | 3 | 1.14898 | Q12 | 26 | 1.15196 | Q30A | 1 | 1.15440 | Q8H | 20 |
| 1.14626 | Q24A | 12 | 1.14901 | Q12 | 4 | 1.15277 | Q67.1 | 2 | 1.15445 | Q8B | 20 |
| 1.14626 | Q24B | 12 | 1.14959.00 | Q28 | 1 | 1.15278 | Q67.1 | 26 | 1.15445 | Q8G | 22 |
| 1.14626 | Q24D | 12 | 1.14960.00 | Q28 | 1 | 1.15280 | Q67.3A | 18 | 1.15447 | Q8A | 20 |
| 1.14626 | Q24E | 28 | 1.14961.00 | Q28 | 1 | 1.15280 | Q67.3B | 18 | 1.15454 | Q8E | 20 |
| 1.14626 | Q24F | 28 | 1.14962.00 | Q28 | 1 | 1.15281 | Q67.2 | 14 | 1.15454 | Q8H | 22 |
| 1.14626 | Q24G | 28 | 1.14966 | Q28 | 10 | 1.15282 | Q67.3A | 26 | 1.15455 | Q8F | 20 |
| 1.14626 | Q24H | 28 | 1.14969 | Q10F | 24 | 1.15282 | Q67.3B | 26 | 1.15534 | Q7 | 19 |
| 1.14626 | Q26A | 3 | 1.14969 | Q10G | 24 | 1.15283 | Q67.1 | 31 | 1.15535 | Q9A | 15 |
| 1.14631 | Q11 | 22 | 1.14969 | Q10H | 24 | 1.15283.60 | Q67.1 | 33 | 1.15604 | Q67.1 | 18 |
| 1.14639 | Q9A | 3 | 1.14976 | Q1E | 37 | 1.15309.00 | Q23 | 4 | 1.15613 | Q25 | 1 |
| 1.14645 | Q14 | 31 | 1.14976 | Q1F | 37 | 1.15338 | Q19A | 12 | 1.15614 | Q25 | 8 |
| 1.14653 | Q12 | 27 | 1.14976 | Q1G | 37 | 1.15338 | Q19B | 12 | 1.15617 | Q25 | 7 |
| 1.14740 | Q25A | 1 | 1.14976 | Q1H | 37 | 1.15338 | Q19D | 12 | 1.15618 | Q25 | 2 |
| 1.14740 | Q25B | 1 | 1.15036 | Q7 | 22 | 1.15338 | Q19E | 12 | 1.15683 | Q11 | 34 |
| 1.14740 | Q25B | 21 | 1.15065 | Q1A | 19 | 1.15338 | Q19F | 12 | 1.15684 | Q5A | 13 |
| 1.14742 | Q3 | 7 | 1.15065 | Q1B | 19 | 1.15338 | Q19G | 12 | 1.15684 | Q5B | 13 |
| 1.14744 | Q6A | 6 | 1.15065 | Q1D | 19 | 1.15339.00 | Q19A | 5 | 1.15684 | Q5D | 13 |
| 1.14745 | Q6D | 6 | 1.15065 | Q1E | 19 | 1.15339.00 | Q19B | 5 | 1.15689.00 | Q67.4A | 1 |
| 1.14786 | Q1A | 28 | 1.15065 | Q1F | 19 | 1.15339.00 | Q19D | 5 | 1.15690.00 | Q67.4B | 1 |
| 1.14786 | Q1B | 28 | 1.15065 | Q1G | 19 | 1.15339.00 | Q19E | 5 | 1.15691.00 | Q67.4D | 1 |
| 1.14786 | Q1D | 29 | 1.15065 | Q1H | 19 | 1.15339.00 | Q19F | 5 | 1.15692.00 | Q67.4E | 1 |
| 1.14786 | Q1E | 33 | 1.15065 | Q13 | 8 | 1.15339.00 | Q19G | 5 | 1.15693.00 | Q67.4F | 1 |
| 1.14786 | Q1F | 33 | 1.15097.00 | Q1A | 35 | 1.15343 | Q19B | 7 | 1.15694.00 | Q67.4G | 1 |
| 1.14786 | Q1G | 33 | 1.15098.00 | Q1B | 35 | 1.15344 | Q19B | 10 | 1.15698 | Q67.3A | 27 |
| 1.14786 | Q1H | 33 | 1.15100.00 | Q1D | 36 | 1.15345.00 | Q19B | 16 | 1.15698 | Q67.3B | 27 |
| 1.14798 | Q1A | 26 | 1.15102.00 | Q1F | 39 | 1.15346 | Q19D | 7 | 1.15699 | Q67.3A | 3 |
| 1.14799 | Q1B | 26 | 1.15103.00 | Q1G | 39 | 1.15346 | Q19F | 7 | 1.15699 | Q67.3B | 3 |
| 1.14799 | Q1E | 25 | 1.15104.00 | Q1H | 39 | 1.15347 | Q19D | 10 | 1.15708 | Q5A | 6 |
| 1.14800 | Q1D | 27 | 1.15127 | Q1A | 29 | 1.15347 | Q19F | 10 | 1.15708 | Q5B | 6 |
| 1.14801 | Q1D | 26 | 1.15127 | Q1B | 29 | 1.15348.00 | Q19D | 16 | 1.15708 | Q5D | 6 |
| 1.14802 | Q1G | 24 | 1.15127 | Q1D | 30 | 1.15348.00 | Q19F | 16 | 1.15709 | Q5A | 4 |
| 1.14802 | Q1H | 24 | 1.15127 | Q1E | 34 | 1.15349 | Q19E | 7 | 1.15709 | Q5B | 4 |

ELENCO PARTI DI RICAMBIO -- LISTE DES PIECES DETACHEES -- LISTA DE PIEZAS DE REPUESTO -- SPARE PARTS LIST -- ERSATZTEILLISTE

| NR ORDIN. | TAV. | R. | NR ORDIN. | TAV. | R. | NR ORDIN. | TAV. | R. | NR ORDIN. | TAV. | R. |
|------------|--------|----|-----------|------|----|------------|--------|----|------------|--------|----|
| 1.15709 | Q5D | 4 | 1.15867 | Q23A | 5 | 1.18675 | Q8D | 13 | 1.19835.30 | Q19L | 14 |
| 1.15757 | Q7 | 18 | 1.15960 | Q26 | 4 | 1.18675 | Q8E | 13 | 1.19835.30 | 067.4K | 14 |
| 1.15779 | Q7 | 9 | 1.15962 | Q1A | 18 | 1.18675 | Q8F | 13 | 1.19835.30 | 067.4L | 14 |
| 1.15781.00 | Q19A | 1 | 1.15962 | Q1B | 18 | 1.18675 | Q8G | 13 | 1.19835.31 | Q19K | 17 |
| 1.15782.00 | Q19B | 1 | 1.15962 | Q1D | 18 | 1.18675 | Q8H | 13 | 1.19835.31 | Q19L | 17 |
| 1.15783.00 | Q19D | 1 | 1.15962 | Q1E | 18 | 1.18945 | Q15A | 12 | 1.19835.31 | 067.4K | 17 |
| 1.15783.00 | Q19F | 1 | 1.15962 | Q1F | 18 | 1.18945 | Q15B | 12 | 1.19835.31 | 067.4L | 17 |
| 1.15784.00 | Q19E | 1 | 1.15962 | Q1G | 18 | 1.18945 | Q15D | 12 | 1.19836 | Q19K | 16 |
| 1.15790 | Q9A | 14 | 1.15962 | Q1H | 18 | 1.18945 | Q15E | 7 | 1.19836 | Q19L | 16 |
| 1.15791 | Q9A | 23 | 1.15975 | Q7 | 6 | 1.18945 | Q15F | 7 | 1.19836 | 067.4K | 16 |
| 1.15792 | Q9A | 12 | 1.15978 | Q11 | 39 | 1.18945 | Q15G | 7 | 1.19836 | 067.4L | 16 |
| 1.15792 | Q9B | 27 | 1.15979 | Q11 | 40 | 1.18945 | Q15H | 7 | 1.19837 | Q19K | 21 |
| 1.15803 | Q19A | 10 | 1.16189 | Q22 | 7 | 1.18945 | Q15M | 12 | 1.19837 | Q19L | 21 |
| 1.15804.00 | Q19A | 16 | 1.16190 | Q22 | 10 | 1.18945 | Q15N | 12 | 1.19837 | 067.4K | 21 |
| 1.15805.00 | Q19A | 4 | 1.16938 | Q22E | 1 | 1.18945 | Q15P | 12 | 1.19837 | 067.4L | 21 |
| 1.15805.00 | Q19B | 4 | 1.16938 | Q22F | 1 | 1.18945 | Q15Q | 7 | 1.19960 | Q19K | 15 |
| 1.15805.00 | Q19D | 4 | 1.16938 | Q22G | 1 | 1.18945 | Q15R | 7 | 1.19960 | Q19L | 15 |
| 1.15805.00 | Q19E | 4 | 1.16938 | Q22H | 1 | 1.18945 | Q15S | 7 | 1.19960 | 067.4K | 15 |
| 1.15805.00 | Q19F | 4 | 1.16938 | Q24E | 19 | 1.18945 | Q15T | 7 | 1.19960 | 067.4L | 15 |
| 1.15805.00 | Q19G | 4 | 1.16938 | Q24F | 19 | 1.19151.00 | Q19L | 24 | 1.19961.00 | Q19K | 11 |
| 1.15806 | Q19A | 7 | 1.16938 | Q24G | 19 | 1.19151.00 | 067.4L | 24 | 1.19961.00 | Q19L | 11 |
| 1.15811 | Q6A | 8 | 1.16938 | Q24H | 19 | 1.19295 | Q20 | 3 | 1.19961.00 | 067.4K | 11 |
| 1.15811 | Q6B | 8 | 1.16959 | Q26A | 8 | 1.19297 | Q20 | 6 | 1.19961.00 | 067.4L | 11 |
| 1.15811 | Q6D | 8 | 1.16959 | Q26B | 8 | 1.19299.00 | Q19K | 24 | 1.19967 | 067.2 | 11 |
| 1.15811 | Q6E | 19 | 1.17172 | Q15A | 12 | 1.19299.00 | 067.4K | 24 | 1.20563 | Q14 | 33 |
| 1.15811 | Q6F | 19 | 1.17172 | Q15B | 12 | 1.19333 | Q28 | 11 | 1.20563 | Q29 | 7 |
| 1.15811 | Q6G | 21 | 1.17172 | Q15D | 12 | 1.19686 | Q5A | 27 | 1.20567.60 | Q18 | 14 |
| 1.15811 | Q6H | 21 | 1.17172 | Q15E | 7 | 1.19686 | Q5B | 27 | 1.21400 | Q14 | 27 |
| 1.15820 | Q9A | 20 | 1.17172 | Q15F | 7 | 1.19686 | Q5D | 27 | 1.21613 | Q18 | 16 |
| 1.15821 | Q9A | 21 | 1.17172 | Q15G | 7 | 1.19686 | Q5E | 3 | 1.21614 | Q14 | 29 |
| 1.15831 | 067.3A | 5 | 1.17172 | Q15H | 7 | 1.19686 | Q5F | 3 | 1.25768 | 067.2 | 21 |
| 1.15833 | 067.3A | 1 | 1.17172 | Q15M | 12 | 1.19686 | Q5G | 3 | 1.25768.00 | 067.2 | 2 |
| 1.15834 | 067.1 | 25 | 1.17172 | Q15N | 12 | 1.19686 | Q5H | 3 | 1.25787 | Q15A | 22 |
| 1.15835 | 067.1 | 11 | 1.17172 | Q15P | 12 | 1.19833.30 | Q19K | 3 | 1.25787 | Q15M | 22 |
| 1.15838.00 | Q19A | 15 | 1.17172 | Q15Q | 7 | 1.19833.30 | Q19L | 3 | 1.25788 | Q22A | 1 |
| 1.15838.00 | Q19B | 15 | 1.17172 | Q15R | 7 | 1.19833.30 | 067.4K | 3 | 1.25789 | Q22A | 7 |
| 1.15838.00 | Q19D | 15 | 1.17172 | Q15S | 7 | 1.19833.30 | 067.4L | 3 | 1.25790 | Q26A | 4 |
| 1.15838.00 | Q19E | 15 | 1.17172 | Q15T | 7 | 1.19833.31 | Q19K | 20 | 1.25791 | Q24A | 18 |
| 1.15838.00 | Q19F | 15 | 1.17917 | Q22A | 2 | 1.19833.31 | Q19L | 20 | 1.25792 | Q24A | 7 |
| 1.15838.00 | Q19G | 15 | 1.17917 | Q22B | 2 | 1.19833.31 | 067.4K | 20 | 1.25793 | Q6A | 11 |
| 1.15839.00 | Q19A | 18 | 1.17917 | Q22D | 2 | 1.19833.31 | 067.4L | 20 | 1.25794 | Q10A | 19 |
| 1.15839.00 | Q19B | 18 | 1.17918 | Q22A | 4 | 1.19834.00 | Q19K | 9 | 1.25795 | Q6A | 9 |
| 1.15839.00 | Q19D | 18 | 1.17918 | Q22B | 4 | 1.19834.00 | Q19L | 9 | 1.25795 | Q6A | 14 |
| 1.15839.00 | Q19E | 18 | 1.17918 | Q22D | 4 | 1.19834.00 | 067.4K | 9 | 1.25796 | Q15A | 13 |
| 1.15839.00 | Q19F | 18 | 1.18675 | Q8A | 13 | 1.19834.00 | 067.4L | 9 | 1.25796.00 | Q15A | 1 |
| 1.15839.00 | Q19G | 18 | 1.18675 | Q8B | 13 | 1.19835.30 | Q19K | 14 | 1.25797 | Q15M | 13 |

ELENCO PARTI DI RICAMBIO -- LISTE DES PIÈCES DETACHEES -- LISTA DE PIEZAS DE REPUESTO -- SPARE PARTS LIST -- ERSATZTEILLISTE

| NR ORDIN. | TAV. | R. | NR ORDIN. | TAV. | R. | NR ORDIN. | TAV. | R. | NR ORDIN. | TAV. | R. |
|------------|--------|----|------------|--------|----|------------|--------|----|------------|--------|----|
| 1.25797.00 | Q15M | 1 | 1.28975 | 067.4E | 10 | 1.29170 | Q15M | 30 | 1.29581 | 067.4L | 22 |
| 1.25798 | Q5A | 11 | 1.28975 | 067.4F | 10 | 1.29170 | Q15P | 30 | 1.29582.00 | Q19K | 23 |
| 1.25799 | Q5A | 28 | 1.28975 | 067.4G | 10 | 1.29170 | Q15Q | 27 | 1.29582.00 | Q19L | 23 |
| 1.25800 | Q8A | 21 | 1.28976 | 067.4A | 11 | 1.29170 | Q15R | 27 | 1.29582.00 | 067.4K | 23 |
| 1.25826 | Q28 | 14 | 1.28976 | 067.4B | 11 | 1.29170 | Q15S | 27 | 1.29582.00 | 067.4L | 23 |
| 1.25870 | Q28 | 18 | 1.28976 | 067.4D | 11 | 1.29170 | Q15T | 27 | 1.29583.00 | Q19K | 2 |
| 1.25961 | Q25 | 10 | 1.28976 | 067.4E | 11 | 1.29172 | Q15A | 27 | 1.29583.00 | 067.4K | 2 |
| 1.28572.00 | Q28 | 13 | 1.28976 | 067.4F | 11 | 1.29172 | Q15B | 27 | 1.29584.00 | Q19K | 19 |
| 1.28660 | 067.3B | 5 | 1.28976 | 067.4G | 11 | 1.29172 | Q15D | 27 | 1.29584.00 | 067.4K | 19 |
| 1.28661 | 067.3B | 4 | 1.28977 | 067.4A | 12 | 1.29172 | Q15E | 24 | 1.29585 | Q19K | 5 |
| 1.28662 | 067.3B | 1 | 1.28978.00 | 067.4A | 14 | 1.29172 | Q15F | 24 | 1.29585 | 067.4K | 5 |
| 1.28840 | Q23B | 5 | 1.28979.00 | 067.4A | 13 | 1.29172 | Q15G | 24 | 1.29586 | Q19K | 22 |
| 1.28842 | Q23B | 28 | 1.28979.00 | 067.4B | 13 | 1.29172 | Q15H | 24 | 1.29586 | 067.4K | 22 |
| 1.28843 | Q23B | 27 | 1.28979.00 | 067.4D | 13 | 1.29172 | Q15M | 27 | 1.29658 | Q15A | 7 |
| 1.28962.00 | Q22E | 11 | 1.28979.00 | 067.4E | 13 | 1.29172 | Q15N | 27 | 1.29658 | Q15B | 7 |
| 1.28962.00 | Q22F | 11 | 1.28979.00 | 067.4F | 13 | 1.29172 | Q15P | 27 | 1.29658 | Q15D | 7 |
| 1.28962.00 | Q22G | 11 | 1.28979.00 | 067.4G | 13 | 1.29172 | Q15Q | 24 | 1.29658 | Q15E | 32 |
| 1.28962.00 | Q22H | 11 | 1.28980.00 | 067.4A | 16 | 1.29172 | Q15R | 24 | 1.29658 | Q15F | 32 |
| 1.28968 | Q19A | 8 | 1.28980.00 | 067.4B | 16 | 1.29172 | Q15S | 24 | 1.29658 | Q15G | 32 |
| 1.28968 | Q19B | 8 | 1.28980.00 | 067.4D | 16 | 1.29172 | Q15T | 24 | 1.29658 | Q15H | 32 |
| 1.28968 | Q19D | 8 | 1.28980.00 | 067.4E | 16 | 1.29369.01 | Q28 | 8 | 1.29658 | Q15M | 7 |
| 1.28968 | Q19E | 8 | 1.28980.00 | 067.4F | 16 | 1.29393.60 | Q14 | 39 | 1.29658 | Q15N | 7 |
| 1.28968 | Q19F | 8 | 1.28980.00 | 067.4G | 16 | 1.29423 | Q19K | 1 | 1.29658 | Q15P | 7 |
| 1.28968 | Q19G | 8 | 1.28981 | 067.4B | 9 | 1.29423 | Q19L | 1 | 1.29658 | Q15Q | 32 |
| 1.28969 | Q19A | 9 | 1.28982 | 067.4B | 12 | 1.29423 | 067.4K | 1 | 1.29658 | Q15R | 32 |
| 1.28969 | Q19B | 9 | 1.28983.00 | 067.4B | 14 | 1.29423 | 067.4L | 1 | 1.29658 | Q15S | 32 |
| 1.28969 | Q19D | 9 | 1.28984 | 067.4D | 9 | 1.29486 | Q15A | 16 | 1.29658 | Q15T | 32 |
| 1.28969 | Q19E | 9 | 1.28985 | 067.4D | 12 | 1.29486 | Q15B | 16 | 1.29659 | Q15A | 4 |
| 1.28969 | Q19F | 9 | 1.28986.00 | 067.4D | 14 | 1.29486 | Q15D | 16 | 1.29659 | Q15B | 4 |
| 1.28969 | Q19G | 9 | 1.28987 | 067.4E | 9 | 1.29486 | Q15E | 13 | 1.29659 | Q15D | 4 |
| 1.28972 | 067.4A | 6 | 1.28988 | 067.4E | 12 | 1.29486 | Q15F | 13 | 1.29659 | Q15E | 29 |
| 1.28972 | 067.4B | 6 | 1.28988 | 067.4F | 12 | 1.29486 | Q15G | 13 | 1.29659 | Q15F | 29 |
| 1.28972 | 067.4D | 6 | 1.28989.00 | 067.4E | 14 | 1.29486 | Q15H | 13 | 1.29659 | Q15G | 29 |
| 1.28972 | 067.4E | 6 | 1.28990 | 067.4F | 9 | 1.29486 | Q15M | 16 | 1.29659 | Q15H | 29 |
| 1.28972 | 067.4F | 6 | 1.28991.00 | 067.4F | 14 | 1.29486 | Q15N | 16 | 1.29659 | Q15M | 4 |
| 1.28972 | 067.4G | 6 | 1.28992 | 067.4G | 9 | 1.29486 | Q15P | 16 | 1.29659 | Q15N | 4 |
| 1.28973 | 067.4B | 7 | 1.28993 | 067.4G | 12 | 1.29486 | Q15Q | 13 | 1.29659 | Q15P | 4 |
| 1.28973 | 067.4D | 7 | 1.28994.00 | 067.4G | 14 | 1.29486 | Q15R | 13 | 1.29659 | Q15Q | 29 |
| 1.28973.00 | 067.4A | 7 | 1.29170 | Q15A | 30 | 1.29486 | Q15S | 13 | 1.29659 | Q15R | 29 |
| 1.28973.00 | 067.4E | 7 | 1.29170 | Q15B | 30 | 1.29486 | Q15T | 13 | 1.29659 | Q15S | 29 |
| 1.28973.00 | 067.4F | 7 | 1.29170 | Q15D | 30 | 1.29578.00 | Q19L | 2 | 1.29659 | Q15T | 29 |
| 1.28973.00 | 067.4G | 7 | 1.29170 | Q15E | 27 | 1.29578.00 | 067.4L | 2 | 1.29659 | Q29 | 4 |
| 1.28974 | 067.4A | 9 | 1.29170 | Q15F | 27 | 1.29579.00 | Q19L | 19 | 1.29698 | Q15A | 3 |
| 1.28975 | 067.4A | 10 | 1.29170 | Q15G | 27 | 1.29580 | Q19L | 5 | 1.29698 | Q15B | 3 |
| 1.28975 | 067.4B | 10 | 1.29170 | Q15H | 27 | 1.29580 | 067.4L | 5 | 1.29698 | Q15D | 3 |
| 1.28975 | 067.4D | 10 | 1.29170 | Q15M | 30 | 1.29581 | Q19L | 22 | 1.29698 | Q15E | 28 |

ELENCO PARTI DI RICAMBIO -- LISTE DES PIECES DETACHEES -- LISTA DE PIEZAS DE REPUESTO -- SPARE PARTS LIST -- ERSATZTEILLISTE

| NR ORDIN. | TAV. | R. | NR ORDIN. | TAV. | R. | NR ORDIN. | TAV. | R. | NR ORDIN. | TAV. | R. |
|------------|--------|----|------------|------|----|-----------|------|----|------------|------|----|
| 1.29698 | Q15F | 28 | 1.31395 | Q15Q | 4 | 1.31626 | Q21 | 2 | 1.31752 | Q1A | 23 |
| 1.29698 | Q15G | 28 | 1.31395 | Q15R | 4 | 1.31626 | Q22 | 2 | 1.31752 | Q1B | 23 |
| 1.29698 | Q15H | 28 | 1.31395 | Q15S | 4 | 1.31631 | Q14 | 38 | 1.31752 | Q1D | 23 |
| 1.29698 | Q15M | 3 | 1.31395 | Q15T | 4 | 1.31643 | Q5D | 28 | 1.31752 | Q1E | 23 |
| 1.29698 | Q15N | 3 | 1.31395 | Q24 | 13 | 1.31644 | Q6D | 9 | 1.31752 | Q1F | 23 |
| 1.29698 | Q15P | 3 | 1.31396 | Q15E | 2 | 1.31645 | Q6D | 14 | 1.31752 | Q1G | 23 |
| 1.29698 | Q15Q | 28 | 1.31396 | Q15F | 2 | 1.31646 | Q6A | 12 | 1.31752 | Q1H | 23 |
| 1.29698 | Q15R | 28 | 1.31396 | Q15G | 2 | 1.31646 | Q6B | 12 | 1.31753 | Q1A | 17 |
| 1.29698 | Q15S | 28 | 1.31396 | Q15H | 2 | 1.31646 | Q6D | 12 | 1.31753 | Q1B | 17 |
| 1.29698 | Q15T | 28 | 1.31396 | Q15Q | 8 | 1.31647 | Q6A | 13 | 1.31753 | Q1D | 17 |
| 1.29698 | Q29 | 3 | 1.31396 | Q15R | 8 | 1.31647 | Q6B | 13 | 1.31753 | Q1E | 17 |
| 1.29700 | Q15A | 5 | 1.31396 | Q15S | 8 | 1.31647 | Q6D | 13 | 1.31753 | Q1F | 17 |
| 1.29700 | Q15B | 5 | 1.31396 | Q15T | 8 | 1.31648 | Q6D | 11 | 1.31753 | Q1G | 17 |
| 1.29700 | Q15D | 5 | 1.31396 | Q24 | 16 | 1.31650 | Q21 | 5 | 1.31753 | Q1H | 17 |
| 1.29700 | Q15E | 30 | 1.31494 | Q8A | 4 | 1.31651 | Q21 | 10 | 1.31755 | Q14 | 12 |
| 1.29700 | Q15F | 30 | 1.31494 | Q8B | 4 | 1.31652 | Q4D | 19 | 1.31756 | Q14 | 34 |
| 1.29700 | Q15G | 30 | 1.31494 | Q8D | 4 | 1.31653 | Q21 | 14 | 1.31945 | Q5D | 11 |
| 1.29700 | Q15H | 30 | 1.31494 | Q8E | 4 | 1.31654 | Q4A | 20 | 1.31946 | Q10D | 19 |
| 1.29700 | Q15M | 5 | 1.31494 | Q8F | 4 | 1.31654 | Q4B | 20 | 1.31947 | Q5B | 28 |
| 1.29700 | Q15N | 5 | 1.31494 | Q8G | 4 | 1.31654 | Q4D | 20 | 1.31948 | Q5B | 11 |
| 1.29700 | Q15P | 5 | 1.31494 | Q8H | 4 | 1.31655 | Q4D | 6 | 1.31949 | Q6B | 9 |
| 1.29700 | Q15Q | 30 | 1.31495 | Q8A | 11 | 1.31656 | Q4A | 4 | 1.31950 | Q6B | 14 |
| 1.29700 | Q15R | 30 | 1.31495 | Q8B | 11 | 1.31656 | Q4B | 4 | 1.31951 | Q10B | 19 |
| 1.29700 | Q15S | 30 | 1.31495 | Q8D | 11 | 1.31656 | Q4D | 4 | 1.31952 | Q6B | 11 |
| 1.29700 | Q15T | 30 | 1.31495 | Q8E | 11 | 1.31657 | Q4A | 7 | 1.31953 | Q21 | 16 |
| 1.29759.00 | Q67.4L | 19 | 1.31495 | Q8F | 11 | 1.31657 | Q4B | 7 | 1.31954 | Q15B | 13 |
| 1.29778 | Q2D | 7 | 1.31495 | Q8G | 11 | 1.31657 | Q4D | 7 | 1.31954.00 | Q15B | 1 |
| 1.29782 | Q2D | 16 | 1.31495 | Q8H | 11 | 1.31658 | Q4A | 9 | 1.31955 | Q15D | 13 |
| 1.29783 | Q2D | 13 | 1.31520.00 | Q22A | 12 | 1.31658 | Q4B | 9 | 1.31955.00 | Q15D | 1 |
| 1.29818 | Q2D | 19 | 1.31520.00 | Q22B | 12 | 1.31658 | Q4D | 9 | 1.31966 | Q15D | 22 |
| 1.3041 | Q14 | 29 | 1.31520.00 | Q22D | 12 | 1.31683 | Q4A | 19 | 1.31966 | Q15P | 22 |
| 1.30738.00 | Q24A | 15 | 1.31521 | Q23A | 6 | 1.31684 | Q4B | 19 | 1.31967 | Q15B | 22 |
| 1.30738.00 | Q24B | 15 | 1.31547 | Q8A | 16 | 1.31690 | Q4A | 6 | 1.31967 | Q15N | 22 |
| 1.30738.00 | Q24D | 15 | 1.31547 | Q8B | 16 | 1.31691 | Q4B | 6 | 1.31968 | Q22D | 1 |
| 1.30739 | Q4A | 21 | 1.31547 | Q8D | 16 | 1.31727 | Q17 | 17 | 1.31969 | Q22D | 7 |
| 1.30739 | Q4B | 21 | 1.31547 | Q8E | 16 | 1.31728 | Q9B | 31 | 1.31970 | Q24C | 18 |
| 1.30739 | Q4D | 21 | 1.31547 | Q8F | 16 | 1.31729 | Q9B | 32 | 1.31971 | Q24D | 7 |
| 1.30998 | Q25A | 7 | 1.31547 | Q8G | 16 | 1.31730 | Q9B | 2 | 1.31972 | Q26A | 4 |
| 1.30998 | Q25B | 27 | 1.31547 | Q8H | 16 | 1.31731 | Q9B | 1 | 1.31973 | Q22B | 1 |
| 1.31228 | Q14 | 4 | 1.31548 | Q8A | 17 | 1.31732 | Q9B | 6 | 1.31974 | Q22B | 7 |
| 1.31298 | Q9B | 28 | 1.31548 | Q8B | 17 | 1.31733 | Q9B | 25 | 1.31975 | Q24B | 18 |
| 1.31300 | Q9B | 4 | 1.31548 | Q8D | 17 | 1.31734 | Q9B | 26 | 1.31976 | Q24B | 7 |
| 1.31395 | Q15E | 1 | 1.31548 | Q8E | 17 | 1.31735 | Q9B | 12 | 1.31977 | Q26A | 4 |
| 1.31395 | Q15F | 1 | 1.31548 | Q8F | 17 | 1.31736 | Q9B | 21 | 1.31980 | Q15P | 13 |
| 1.31395 | Q15G | 1 | 1.31548 | Q8H | 17 | 1.31737 | Q9B | 8 | 1.31980.00 | Q15P | 1 |
| 1.31395 | Q15H | 1 | 1.31621 | Q11 | 27 | 1.31750 | Q17 | 23 | 1.31981 | Q15N | 13 |

ELENCO PARTI DI RICAMBIO -- LISTE DES PIECES DETACHEES -- LISTA DE PIEZAS DE REPUESTO -- SPARE PARTS LIST -- ERSATZTEILLISTE

| NR ORDIN. | TAV. | R. | NR ORDIN. | TAV. | R. | NR ORDIN. | TAV. | R. | NR ORDIN. | TAV. | R. |
|------------|------|----|-----------|------|----|-----------|------|----|-----------|------|----|
| 1.31981.00 | Q15N | 1 | 1.32584 | Q6E | 6 | 1.32738 | Q18 | 20 | 1.34322 | Q22D | 3 |
| 1.31988 | Q24A | 14 | 1.32585 | Q6E | 8 | 1.32739 | Q18 | 2 | 1.34322 | Q22E | 12 |
| 1.31988 | Q24B | 14 | 1.32587 | Q6F | 6 | 1.32740 | Q18 | 16 | 1.34322 | Q22F | 12 |
| 1.31988 | Q24D | 14 | 1.32587 | Q6F | 8 | 1.32741 | Q18 | 10 | 1.34322 | Q22G | 12 |
| 1.31989 | Q21 | 17 | 1.32587 | Q6G | 8 | 1.32742 | Q1A | 39 | 1.34322 | Q22H | 12 |
| 1.31990 | Q8B | 21 | 1.32588 | Q6G | 6 | 1.32742 | Q1B | 39 | 1.34322 | Q24A | 6 |
| 1.31991 | Q8D | 21 | 1.32589 | Q6E | 7 | 1.32742 | Q1D | 40 | 1.34322 | Q24B | 6 |
| 1.32329 | Q16 | 5 | 1.32590 | Q6F | 7 | 1.32742 | Q1E | 43 | 1.34322 | Q24D | 6 |
| 1.32485 | Q15E | 12 | 1.32590 | Q6G | 19 | 1.32742 | Q1F | 43 | 1.34322 | Q24E | 2 |
| 1.32485.00 | Q15E | 3 | 1.32591 | Q6G | 7 | 1.32742 | Q1G | 43 | 1.34322 | Q24F | 2 |
| 1.32486 | Q15F | 12 | 1.32592 | Q8 | 6 | 1.32742 | Q1H | 43 | 1.34322 | Q24G | 2 |
| 1.32486.00 | Q15F | 3 | 1.32593 | Q7 | 1 | 1.32743 | Q3 | 11 | 1.34322 | Q24H | 2 |
| 1.32487 | Q15G | 12 | 1.32594 | Q6E | 12 | 1.32744 | Q3 | 12 | 1.34391 | Q6F | 11 |
| 1.32487.00 | Q15G | 3 | 1.32594 | Q6F | 12 | 1.32745 | Q18 | 33 | 1.34391 | Q6G | 20 |
| 1.32488 | Q15A | 26 | 1.32594 | Q6G | 12 | 1.32746 | Q18 | 32 | 1.34416 | Q24E | 24 |
| 1.32488 | Q15B | 26 | 1.32594 | Q6H | 12 | 1.32748 | Q18 | 40 | 1.34416 | Q24F | 24 |
| 1.32488 | Q15D | 26 | 1.32596 | Q6A | 10 | 1.32750 | Q18 | 38 | 1.34416 | Q24G | 24 |
| 1.32488 | Q15E | 23 | 1.32596 | Q6B | 10 | 1.32752 | Q4E | 7 | 1.34416 | Q24H | 24 |
| 1.32488 | Q15F | 23 | 1.32596 | Q6D | 10 | 1.32753 | Q4E | 15 | 1.34424 | Q6G | 11 |
| 1.32488 | Q15G | 23 | 1.32596 | Q6E | 10 | 1.32754 | Q4E | 4 | 1.34425 | Q22E | 15 |
| 1.32488 | Q15H | 23 | 1.32596 | Q6F | 10 | 1.32755 | Q3 | 6 | 1.34425 | Q22F | 15 |
| 1.32488 | Q15M | 26 | 1.32596 | Q6G | 10 | 1.32756 | Q2 | 5 | 1.34425 | Q22G | 15 |
| 1.32488 | Q15N | 26 | 1.32596 | Q6H | 10 | 1.32767 | Q22A | 13 | 1.34425 | Q22H | 15 |
| 1.32488 | Q15P | 26 | 1.32597 | Q6E | 13 | 1.32767 | Q22B | 13 | 1.34426 | Q24A | 4 |
| 1.32488 | Q15Q | 23 | 1.32597 | Q6F | 13 | 1.32767 | Q22D | 13 | 1.34426 | Q24B | 4 |
| 1.32488 | Q15R | 23 | 1.32597 | Q6G | 13 | 1.32767 | Q24A | 13 | 1.34426 | Q24D | 4 |
| 1.32488 | Q15S | 23 | 1.32597 | Q6H | 13 | 1.32767 | Q24B | 13 | 1.34426 | Q24E | 3 |
| 1.32488 | Q15T | 23 | 1.32601 | Q5G | 4 | 1.32767 | Q24D | 13 | 1.34426 | Q24F | 3 |
| 1.32489 | Q15E | 19 | 1.32602 | Q5F | 4 | 1.32783 | Q25B | 7 | 1.34426 | Q24G | 3 |
| 1.32489 | Q15Q | 19 | 1.32603 | Q5E | 4 | 1.32786 | Q24E | 37 | 1.34426 | Q24H | 3 |
| 1.32490 | Q15F | 19 | 1.32630 | Q16 | 3 | 1.32786 | Q24F | 37 | 1.34428 | Q24E | 18 |
| 1.32490 | Q15R | 19 | 1.32665 | Q5E | 10 | 1.32786 | Q24G | 37 | 1.34428 | Q24F | 18 |
| 1.32491 | Q15G | 19 | 1.32665 | Q5F | 10 | 1.32786 | Q24H | 37 | 1.34428 | Q24G | 18 |
| 1.32491 | Q15S | 19 | 1.32665 | Q5G | 10 | 1.32977 | Q24A | 8 | 1.34428 | Q24H | 18 |
| 1.32570 | Q5G | 19 | 1.32665 | Q5H | 10 | 1.32977 | Q24B | 8 | 1.34429 | Q24E | 23 |
| 1.32571 | Q5F | 19 | 1.32666 | Q5E | 5 | 1.32977 | Q24D | 8 | 1.34429 | Q24F | 23 |
| 1.32572 | Q5E | 19 | 1.32666 | Q5F | 5 | 1.33009 | Q2D | 12 | 1.34429 | Q24G | 23 |
| 1.32576 | Q10E | 19 | 1.32666 | Q5G | 5 | 1.33405 | Q1A | 1 | 1.34429 | Q24H | 23 |
| 1.32577 | Q10F | 22 | 1.32666 | Q5H | 5 | 1.33405 | Q1B | 1 | 1.34431 | Q22E | 6 |
| 1.32578 | Q10G | 22 | 1.32667 | Q8 | 4 | 1.33405 | Q1D | 1 | 1.34432 | Q22E | 5 |
| 1.32579 | Q6E | 9 | 1.32668 | Q8 | 5 | 1.33405 | Q1E | 1 | 1.34433 | Q22E | 7 |
| 1.32580 | Q6E | 14 | 1.32699 | Q14 | 15 | 1.33405 | Q1F | 1 | 1.34434 | Q26B | 4 |
| 1.32581 | Q6F | 9 | 1.32701 | Q14 | 13 | 1.33405 | Q1G | 1 | 1.34435 | Q24E | 5 |
| 1.32582 | Q6F | 14 | 1.32735 | Q4E | 13 | 1.33405 | Q1H | 1 | 1.34436 | Q24E | 13 |
| 1.32582 | Q6G | 14 | 1.32736 | Q18 | 5 | 1.34322 | Q22A | 3 | 1.34437 | Q24E | 21 |
| 1.32583 | Q6G | 9 | 1.32737 | Q18 | 4 | 1.34322 | Q22B | 3 | 1.34438 | Q24E | 14 |

ELENCO PARTI DI RICAMBIO -- LISTE DES PIECES DETACHEES -- LISTA DE PIEZAS DE REPUESTO -- SPARE PARTS LIST -- ERSATZTEILLISTE

| NR ORDIN. | TAV. | R. | NR ORDIN. | TAV. | R. | NR ORDIN. | TAV. | R. | NR ORDIN. | TAV. | R. |
|-----------|------|----|------------|------|----|------------|--------|----|------------|------|----|
| 1.34439 | Q22F | 6 | 1.34847 | Q8D | 14 | 1.35029 | Q1F | 6 | 1.35631 | Q1E | 32 |
| 1.34440 | Q22F | 5 | 1.34847 | Q8E | 14 | 1.35029 | Q1G | 6 | 1.35632 | Q1E | 31 |
| 1.34441 | Q22F | 7 | 1.34847 | Q8F | 14 | 1.35029 | Q1H | 6 | 1.35633 | Q1E | 24 |
| 1.34441 | Q22G | 7 | 1.34847 | Q8G | 14 | 1.35378 | 067.3A | 29 | 1.35664 | Q5H | 19 |
| 1.34442 | Q26B | 4 | 1.34847 | Q8H | 14 | 1.35393 | Q18 | 29 | 1.35665 | Q5H | 4 |
| 1.34443 | Q24F | 5 | 1.34999 | Q6E | 11 | 1.35394 | Q18 | 49 | 1.35666 | Q15H | 12 |
| 1.34444 | Q24F | 13 | 1.35006 | Q16 | 21 | 1.35467 | 067.2 | 23 | 1.35666.00 | Q15H | 3 |
| 1.34445 | Q24F | 21 | 1.35007 | Q15E | 8 | 1.35467.00 | 067.2 | 2 | 1.35667 | Q15T | 12 |
| 1.34445 | Q24G | 21 | 1.35007 | Q15F | 8 | 1.35468 | 067.2 | 21 | 1.35667.00 | Q15T | 3 |
| 1.34446 | Q24F | 14 | 1.35007 | Q15G | 8 | 1.35485 | Q24E | 34 | 1.35668 | Q10H | 22 |
| 1.34446 | Q24G | 14 | 1.35007 | Q15H | 8 | 1.35485 | Q24F | 34 | 1.35669 | Q6H | 9 |
| 1.34447 | Q22G | 6 | 1.35007 | Q15Q | 2 | 1.35485 | Q24G | 34 | 1.35670 | Q6H | 14 |
| 1.34448 | Q22G | 5 | 1.35007 | Q15R | 2 | 1.35485 | Q24H | 34 | 1.35671 | Q6H | 6 |
| 1.34449 | Q24G | 5 | 1.35007 | Q15S | 2 | 1.35486 | Q24E | 17 | 1.35672 | Q6H | 8 |
| 1.34450 | Q24G | 13 | 1.35007 | Q15T | 2 | 1.35486 | Q24F | 17 | 1.35673 | Q6H | 11 |
| 1.34451 | Q22E | 16 | 1.35007 | 024 | 3 | 1.35486 | Q24G | 17 | 1.35674 | Q6H | 20 |
| 1.34451 | Q22F | 16 | 1.35008 | Q15E | 4 | 1.35486 | Q24H | 17 | 1.35675 | Q6H | 7 |
| 1.34451 | Q22G | 16 | 1.35008 | Q15F | 4 | 1.35531 | Q26A | 16 | 1.35676 | Q6H | 19 |
| 1.34451 | Q22H | 16 | 1.35008 | Q15G | 4 | 1.35531 | Q26B | 16 | 1.35677 | Q24H | 21 |
| 1.34458 | Q22E | 2 | 1.35008 | Q15H | 4 | 1.35531 | Q28 | 15 | 1.35678 | Q24H | 13 |
| 1.34458 | Q22F | 2 | 1.35008 | Q15Q | 1 | 1.35546 | Q4E | 18 | 1.35679 | Q24H | 14 |
| 1.34458 | Q22G | 2 | 1.35008 | Q15R | 1 | 1.35547 | Q4E | 14 | 1.35680 | Q24H | 5 |
| 1.34458 | Q22H | 2 | 1.35008 | Q15S | 1 | 1.35548 | Q4E | 9 | 1.35681 | Q22H | 6 |
| 1.34458 | Q24A | 19 | 1.35008 | Q15T | 1 | 1.35549.00 | Q22E | 14 | 1.35682 | Q22H | 5 |
| 1.34458 | Q24B | 19 | 1.35008 | 024 | 6 | 1.35549.00 | Q22F | 14 | 1.35683 | Q22H | 7 |
| 1.34458 | Q24D | 19 | 1.35021 | Q15S | 12 | 1.35549.00 | Q22G | 14 | 1.35684 | Q26B | 4 |
| 1.34458 | Q24E | 20 | 1.35021.00 | Q15S | 3 | 1.35549.00 | Q22H | 14 | 1.35693 | Q6H | 22 |
| 1.34458 | Q24F | 20 | 1.35022 | Q15R | 12 | 1.35550.00 | Q24E | 26 | 1.35701 | Q15H | 19 |
| 1.34458 | Q24G | 20 | 1.35022.00 | Q15R | 3 | 1.35550.00 | Q24F | 26 | 1.35701 | Q15T | 19 |
| 1.34458 | Q24H | 20 | 1.35023 | Q15Q | 12 | 1.35550.00 | Q24G | 26 | 1.35702 | 026 | 12 |
| 1.34458 | Q26A | 1 | 1.35023.00 | Q15Q | 3 | 1.35550.00 | Q24H | 26 | 1.35703 | Q23B | 6 |
| 1.34458 | Q26B | 1 | 1.35027 | Q1E | 36 | 1.35551.00 | Q24E | 12 | 1.35735 | 026 | 15 |
| 1.34468 | Q18 | 25 | 1.35027 | Q1F | 36 | 1.35551.00 | Q24F | 12 | 1.35736 | 026 | 14 |
| 1.34474 | Q11 | 38 | 1.35027 | Q1G | 36 | 1.35551.00 | Q24G | 12 | 1.35737 | Q8H | 21 |
| 1.34481 | Q8E | 21 | 1.35027 | Q1H | 36 | 1.35551.00 | Q24H | 12 | 1.35769 | Q22A | 6 |
| 1.34482 | Q8F | 21 | 1.35028 | Q1A | 34 | 1.35552 | Q24E | 10 | 1.35769 | Q22B | 6 |
| 1.34483 | Q8G | 21 | 1.35028 | Q1B | 34 | 1.35552 | Q24F | 10 | 1.35769 | Q22C | 6 |
| 1.34501 | Q17 | 9 | 1.35028 | Q1D | 35 | 1.35552 | Q24G | 10 | 1.35769 | Q22E | 3 |
| 1.34511 | Q26 | 12 | 1.35028 | Q1E | 45 | 1.35552 | Q24H | 10 | 1.35769 | Q22F | 3 |
| 1.34516 | Q8 | 9 | 1.35028 | Q1F | 25 | 1.35553 | Q24E | 25 | 1.35769 | Q22G | 3 |
| 1.34517 | Q18 | 36 | 1.35028 | Q1G | 25 | 1.35553 | Q24F | 25 | 1.35769 | Q22H | 3 |
| 1.34518 | Q18 | 31 | 1.35028 | Q1H | 25 | 1.35553 | Q24G | 25 | 1.35769 | Q24A | 12 |
| 1.34521 | Q11 | 35 | 1.35029 | Q1A | 6 | 1.35553 | Q24H | 25 | 1.35769 | Q24B | 12 |
| 1.34602 | Q14 | 38 | 1.35029 | Q1B | 6 | 1.35556 | Q4E | 16 | 1.35769 | Q24D | 12 |
| 1.34847 | Q8A | 14 | 1.35029 | Q1D | 6 | 1.35572.00 | Q19G | 1 | 1.35769 | Q24E | 28 |
| 1.34847 | Q8B | 14 | 1.35029 | Q1E | 6 | 1.35630.00 | Q1E | 39 | 1.35769 | Q24F | 12 |

ELENCO PARTI DI RICAMBIO -- LISTE DES PIECES DETACHEES -- LISTA DE PIEZAS DE REPUESTO -- SPARE PARTS LIST -- ERSATZTEILLISTE

| NR ORDIN. | TAV. | R. | NR ORDIN. | TAV. | R. | NR ORDIN. | TAV. | R. | NR ORDIN. | TAV. | R. |
|------------|------|----|-----------|--------|----|-----------|--------|----|-----------|-------|----|
| 1.35769 | Q24G | 28 | 1.5644 | Q15H | 26 | 1.8648 | Q13 | 11 | 3.7722 | Q12 | 25 |
| 1.35769 | Q24H | 28 | 1.5644 | Q15M | 29 | 1.8648 | Q14 | 2 | 3.7903 | Q23B | 7 |
| 1.35769 | Q26A | 3 | 1.5644 | Q15N | 29 | 1.8820.50 | Q23 | 23 | 3.7904 | Q23B | 11 |
| 1.35769 | Q26B | 3 | 1.5644 | Q15P | 29 | 1.8820.51 | Q23 | 23 | 317.313 | Q67.1 | 34 |
| 1.35771.00 | Q24E | 22 | 1.5644 | Q15Q | 26 | 1.8820.52 | Q23 | 23 | 336.015 | Q18 | 37 |
| 1.35771.00 | Q24F | 22 | 1.5644 | Q15R | 26 | 1.8961.30 | Q10A | 13 | 336.225 | Q67.1 | 30 |
| 1.35771.00 | Q24G | 22 | 1.5644 | Q15S | 26 | 1.8961.30 | Q10B | 13 | 339.206 | Q5A | 24 |
| 1.35771.00 | Q24H | 22 | 1.5644 | Q15T | 26 | 1.8961.30 | Q10D | 13 | 339.206 | Q5B | 24 |
| 1.35806 | Q19G | 7 | 1.5644 | Q29 | 2 | 1.8961.30 | Q10E | 13 | 339.206 | Q5D | 24 |
| 1.35807 | Q19G | 10 | 1.5677 | Q11 | 10 | 1.8961.30 | Q10F | 16 | 339.206 | Q5E | 20 |
| 1.35808.00 | Q19G | 16 | 1.5722 | Q24A | 3 | 1.8961.30 | Q10G | 16 | 339.206 | Q5F | 20 |
| 1.35920 | Q4A | 9 | 1.5722 | Q24B | 3 | 1.8961.30 | Q10H | 16 | 339.206 | Q5G | 20 |
| 1.35920 | Q4B | 9 | 1.5722 | Q24D | 3 | 1.8961.30 | Q29 | 5 | 339.206 | Q5H | 20 |
| 1.35920 | Q4D | 9 | 1.5722 | Q24E | 7 | 1.9038.50 | Q23 | 18 | 342.510 | Q21 | 15 |
| 1.35921 | Q4E | 16 | 1.5722 | Q24F | 7 | 1.9116 | Q10A | 17 | 342.510 | Q6A | 1 |
| 1.35938 | Q8A | 22 | 1.5722 | Q24G | 7 | 1.9116 | Q10B | 17 | 342.510 | Q6B | 1 |
| 1.35938 | Q8B | 22 | 1.5722 | Q24H | 7 | 1.9116 | Q10D | 17 | 342.510 | Q6D | 1 |
| 1.35938 | Q8D | 22 | 1.5738 | Q67.2 | 13 | 1.9116 | Q10E | 17 | 342.510 | Q6E | 1 |
| 1.35938 | Q8E | 22 | 1.5803 | Q4A | 5 | 1.9116 | Q10F | 20 | 342.510 | Q6F | 1 |
| 1.35938 | Q8F | 22 | 1.5803 | Q4B | 5 | 1.9116 | Q10G | 20 | 342.510 | Q6G | 1 |
| 1.35938 | Q8G | 23 | 1.5803 | Q4D | 5 | 1.9116 | Q10H | 20 | 342.510 | Q6H | 1 |
| 1.35938 | Q8H | 23 | 1.5924 | Q23 | 10 | 1.9412 | Q27 | 7 | 342.510 | Q7 | 15 |
| 1.35949 | Q13 | 14 | 1.6152.48 | Q24E | 35 | 1.9446.00 | Q23 | 13 | 342.510 | Q8A | 6 |
| 1.35950 | Q13 | 13 | 1.6152.48 | Q24F | 35 | 1.9446.01 | Q23 | 13 | 342.510 | Q8B | 6 |
| 1.36708 | Q24D | 20 | 1.6152.48 | Q24G | 35 | 1.9446.02 | Q23 | 13 | 342.510 | Q8D | 6 |
| 1.36708 | Q26B | 7 | 1.6152.48 | Q24H | 35 | 1.9999 | Q14 | 11 | 342.510 | Q8E | 6 |
| 1.3784.30 | Q22A | 8 | 1.6152.49 | Q24E | 36 | 2.2220 | Q67.1 | 37 | 342.510 | Q8F | 6 |
| 1.3784.30 | Q22B | 8 | 1.6152.49 | Q24F | 36 | 2.2242 | Q67.3A | 10 | 342.510 | Q8G | 6 |
| 1.3784.30 | Q22D | 8 | 1.6152.49 | Q24G | 36 | 2.2242 | Q67.3B | 10 | 342.510 | Q8H | 6 |
| 1.3784.30 | Q22E | 10 | 1.6152.49 | Q24H | 36 | 2.3250 | Q9B | 22 | 342.511 | Q5A | 26 |
| 1.3784.30 | Q22F | 10 | 1.6638.61 | Q67.1 | 4 | 3.2629 | Q12 | 16 | 342.511 | Q5B | 26 |
| 1.3784.30 | Q22G | 10 | 1.6638.61 | Q67.1 | 32 | 3.2641.00 | Q12 | 17 | 342.511 | Q5D | 26 |
| 1.3784.30 | Q22H | 10 | 1.6638.62 | Q67.1 | 35 | 3.2654 | Q12 | 18 | 342.511 | Q5E | 22 |
| 1.3784.30 | Q24E | 6 | 1.6638.63 | Q67.1 | 36 | 3.2673 | Q19A | 17 | 342.511 | Q5F | 22 |
| 1.3784.30 | Q24F | 6 | 1.6644 | Q67.2 | 5 | 3.2673 | Q19B | 17 | 342.511 | Q5G | 22 |
| 1.3784.30 | Q24G | 6 | 1.6645 | Q67.1 | 5 | 3.2673 | Q19D | 17 | 342.511 | Q5H | 22 |
| 1.3784.30 | Q24H | 6 | 1.6646 | Q67.3A | 13 | 3.2673 | Q19E | 17 | 342.511 | Q6A | 5 |
| 1.3784.30 | Q26A | 5 | 1.6646 | Q67.3B | 13 | 3.2673 | Q19F | 17 | 342.511 | Q6B | 5 |
| 1.3784.30 | Q26B | 15 | 1.6647 | Q67.1 | 7 | 3.2673 | Q19G | 17 | 342.511 | Q6D | 5 |
| 1.4763 | Q11 | 9 | 1.6648 | Q67.1 | 6 | 3.2676 | Q67.4A | 15 | 342.511 | Q6E | 5 |
| 1.5644 | Q15A | 29 | 1.6668 | Q67.1 | 16 | 3.2676 | Q67.4B | 15 | 342.511 | Q6F | 5 |
| 1.5644 | Q15B | 29 | 1.8310 | Q9A | 4 | 3.2676 | Q67.4D | 15 | 342.511 | Q6G | 5 |
| 1.5644 | Q15D | 29 | 1.8310 | Q9B | 11 | 3.2676 | Q67.4E | 15 | 342.511 | Q6H | 5 |
| 1.5644 | Q15E | 26 | 1.8480.33 | Q23A | 1 | 3.2676 | Q67.4F | 15 | 342.511 | Q7 | 21 |
| 1.5644 | Q15F | 26 | 1.8480.33 | Q23B | 1 | 3.2676 | Q67.4G | 15 | 342.511 | Q9B | 7 |
| 1.5644 | Q15G | 26 | 1.8480.33 | Q23B | 21 | 3.3258 | Q23 | 19 | 342.511 | Q67.1 | 27 |

ELENCO PARTI DI RICAMBIO -- LISTE DES PIECES DETACHEES -- LISTA DE PIEZAS DE REPUESTO -- SPARE PARTS LIST -- ERSATZTEILLISTE

| NR ORDIN. | TAV. | R. | NR ORDIN. | TAV. | R. | NR ORDIN. | TAV. | R. | NR ORDIN. | TAV. | R. |
|-----------|------|----|-----------|------|----|-----------|--------|----|-----------|------|----|
| 342.520 | Q14 | 20 | 354.106 | Q22E | 9 | 354.108 | Q24H | 30 | 354.110 | Q10F | 14 |
| 342.520 | Q7 | 16 | 354.106 | Q22F | 9 | 354.108 | Q5A | 20 | 354.110 | Q10G | 14 |
| 342.525 | Q8A | 12 | 354.106 | Q22G | 9 | 354.108 | Q5B | 20 | 354.110 | Q10H | 14 |
| 342.525 | Q8B | 12 | 354.106 | Q22H | 9 | 354.108 | Q5D | 20 | 354.110 | Q11 | 4 |
| 342.525 | Q8D | 12 | 354.106 | Q24A | 9 | 354.108 | Q5E | 23 | 354.110 | Q12 | 2 |
| 342.525 | Q8E | 12 | 354.106 | Q24B | 9 | 354.108 | Q5F | 23 | 354.110 | Q14 | 25 |
| 342.525 | Q8F | 12 | 354.106 | Q24D | 9 | 354.108 | Q5G | 23 | 354.110 | Q15A | 17 |
| 342.525 | Q8G | 12 | 354.106 | Q24E | 8 | 354.108 | Q5H | 23 | 354.110 | Q15B | 17 |
| 342.525 | Q8H | 12 | 354.106 | Q24F | 8 | 354.108 | Q6A | 3 | 354.110 | Q15D | 17 |
| 342.530 | Q10A | 21 | 354.106 | Q24G | 8 | 354.108 | Q6B | 3 | 354.110 | Q15E | 14 |
| 342.530 | Q10B | 21 | 354.106 | Q24H | 8 | 354.108 | Q6D | 3 | 354.110 | Q15F | 14 |
| 342.530 | Q10D | 21 | 354.106 | Q26A | 6 | 354.108 | Q6E | 3 | 354.110 | Q15G | 14 |
| 342.530 | Q10E | 21 | 354.106 | Q26B | 6 | 354.108 | Q6F | 3 | 354.110 | Q15H | 14 |
| 342.530 | Q10F | 25 | 354.106 | Q25 | 4 | 354.108 | Q6G | 3 | 354.110 | Q15M | 17 |
| 342.530 | Q10G | 25 | 354.108 | Q1A | 21 | 354.108 | Q6H | 3 | 354.110 | Q15N | 17 |
| 342.530 | Q10H | 25 | 354.108 | Q1B | 21 | 354.108 | Q7 | 8 | 354.110 | Q15P | 17 |
| 342.630 | Q10A | 15 | 354.108 | Q1D | 21 | 354.108 | Q8 | 2 | 354.110 | Q15Q | 14 |
| 342.630 | Q10B | 15 | 354.108 | Q1E | 21 | 354.108 | Q8A | 1 | 354.110 | Q15R | 14 |
| 342.630 | Q10D | 15 | 354.108 | Q1F | 21 | 354.108 | Q8B | 1 | 354.110 | Q15S | 14 |
| 342.630 | Q10E | 15 | 354.108 | Q1G | 21 | 354.108 | Q8D | 1 | 354.110 | Q15T | 14 |
| 342.630 | Q10F | 18 | 354.108 | Q1H | 21 | 354.108 | Q8E | 1 | 354.110 | Q17 | 4 |
| 342.630 | Q10G | 18 | 354.108 | Q11 | 16 | 354.108 | Q8F | 1 | 354.110 | Q18 | 3 |
| 342.630 | Q10H | 18 | 354.108 | Q15A | 11 | 354.108 | Q8G | 1 | 354.110 | Q19A | 13 |
| 342.635 | Q10A | 18 | 354.108 | Q15B | 11 | 354.108 | Q8H | 1 | 354.110 | Q19B | 13 |
| 342.635 | Q10B | 18 | 354.108 | Q15D | 11 | 354.108 | Q9A | 18 | 354.110 | Q19D | 13 |
| 342.635 | Q10D | 18 | 354.108 | Q15E | 6 | 354.108 | Q9B | 19 | 354.110 | Q19E | 13 |
| 342.635 | Q10E | 18 | 354.108 | Q15F | 6 | 354.108 | Q22 | 9 | 354.110 | Q19F | 13 |
| 342.635 | Q10F | 21 | 354.108 | Q15G | 6 | 354.108 | Q23 | 11 | 354.110 | Q19G | 13 |
| 342.635 | Q10G | 21 | 354.108 | Q15H | 6 | 354.108 | Q23 | 40 | 354.110 | Q2 | 7 |
| 342.635 | Q10H | 21 | 354.108 | Q15M | 11 | 354.108 | Q24 | 2 | 354.110 | Q20 | 8 |
| 342.655 | Q21 | 1 | 354.108 | Q15N | 11 | 354.108 | Q24 | 12 | 354.110 | Q21 | 2 |
| 342.655 | Q22 | 1 | 354.108 | Q15P | 11 | 354.108 | Q67.1 | 9 | 354.110 | Q26A | 15 |
| 350.007 | Q10A | 14 | 354.108 | Q15Q | 6 | 354.108 | Q67.2 | 18 | 354.110 | Q26B | 17 |
| 350.007 | Q10B | 14 | 354.108 | Q15R | 6 | 354.108 | Q67.3A | 20 | 354.110 | Q28 | 16 |
| 350.007 | Q10D | 14 | 354.108 | Q15S | 6 | 354.108 | Q67.3B | 20 | 354.110 | Q3 | 9 |
| 350.007 | Q10E | 14 | 354.108 | Q15T | 6 | 354.110 | Q1A | 37 | 354.110 | Q5A | 8 |
| 350.007 | Q10F | 17 | 354.108 | Q16 | 17 | 354.110 | Q1B | 37 | 354.110 | Q5B | 8 |
| 350.007 | Q10G | 17 | 354.108 | Q18 | 45 | 354.110 | Q1D | 38 | 354.110 | Q5D | 8 |
| 350.007 | Q10H | 17 | 354.108 | Q20 | 14 | 354.110 | Q1E | 41 | 354.110 | Q5E | 13 |
| 350.007 | Q21 | 5 | 354.108 | Q21 | 12 | 354.110 | Q1F | 41 | 354.110 | Q5F | 13 |
| 350.007 | Q22 | 5 | 354.108 | Q24A | 2 | 354.110 | Q1G | 41 | 354.110 | Q5G | 13 |
| 354.106 | Q11 | 37 | 354.108 | Q24B | 2 | 354.110 | Q1H | 41 | 354.110 | Q5H | 13 |
| 354.106 | Q18 | 48 | 354.108 | Q24D | 2 | 354.110 | Q10A | 11 | 354.110 | Q6A | 16 |
| 354.106 | Q22A | 9 | 354.108 | Q24E | 30 | 354.110 | Q10B | 11 | 354.110 | Q6B | 16 |
| 354.106 | Q22B | 9 | 354.108 | Q24F | 30 | 354.110 | Q10D | 11 | 354.110 | Q6D | 16 |
| 354.106 | Q22D | 9 | 354.108 | Q24G | 30 | 354.110 | Q10E | 11 | 354.110 | Q6E | 16 |

ELENCO PARTI DI RICAMBIO

LISTE DES PIECES DETACHEES

LISTA DE PIEZAS DE REPUESTO

SPARE PARTS LIST

ERSATZTEILLISTE

| NR ORDIN. | TAV. | R. | NR ORDIN. | TAV. | R. | NR ORDIN. | TAV. | R. | NR ORDIN. | TAV. | R. |
|-----------|--------|----|-----------|--------|----|-----------|--------|----|-----------|------|----|
| 354.110 | Q6F | 16 | 354.112 | Q5D | 2 | 355.00915 | Q6H | 2 | 355.01330 | Q1H | 7 |
| 354.110 | Q6G | 16 | 354.112 | Q5E | 2 | 355.00915 | Q7 | 11 | 355.01330 | Q28 | 5 |
| 354.110 | Q6H | 16 | 354.112 | Q5F | 2 | 355.00915 | Q8A | 3 | 355.01330 | Q5A | 1 |
| 354.110 | Q7 | 3 | 354.112 | Q5G | 2 | 355.00915 | Q8B | 3 | 355.01330 | Q5B | 1 |
| 354.110 | Q8A | 8 | 354.112 | Q5H | 2 | 355.00915 | Q8D | 3 | 355.01330 | Q5D | 1 |
| 354.110 | Q8B | 8 | 354.112 | Q9B | 23 | 355.00915 | Q8E | 3 | 355.01330 | Q21 | 3 |
| 354.110 | Q8D | 8 | 354.112 | Q67.1 | 14 | 355.00915 | Q8F | 3 | 355.01330 | Q22 | 3 |
| 354.110 | Q8E | 8 | 354.112 | Q67.2 | 15 | 355.00915 | Q8G | 3 | 355.01530 | Q11 | 2 |
| 354.110 | Q8F | 8 | 354.112 | Q67.4K | 7 | 355.00915 | Q8H | 3 | 355.01630 | Q9B | 3 |
| 354.110 | Q8G | 8 | 354.112 | Q67.4L | 7 | 355.00915 | Q23 | 39 | 355.01730 | Q4A | 8 |
| 354.110 | Q8H | 8 | 354.114 | Q11 | 30 | 355.00915 | Q24 | 5 | 355.01730 | Q4B | 8 |
| 354.110 | Q9A | 10 | 354.114 | Q5A | 14 | 355.00915 | Q24 | 15 | 355.01730 | Q4D | 8 |
| 354.110 | Q9B | 9 | 354.114 | Q5B | 14 | 355.00915 | Q67.1 | 20 | 355.01730 | Q4E | 6 |
| 354.110 | Q23 | 26 | 354.114 | Q5D | 14 | 355.00915 | Q67.2 | 19 | 355.01740 | Q12 | 7 |
| 354.110 | Q26 | 2 | 354.511 | Q21 | 4 | 355.01120 | Q13 | 7 | 355.02130 | Q14 | 35 |
| 354.110 | Q67.1 | 22 | 354.511 | Q22 | 4 | 355.01120 | Q14 | 9 | 355.02150 | Q18 | 42 |
| 354.110 | Q67.3A | 7 | 354.530 | Q11 | 33 | 355.01120 | Q16 | 15 | 355.10615 | Q11 | 36 |
| 354.110 | Q67.3A | 30 | 355.00715 | Q1A | 25 | 355.01120 | Q5A | 23 | 355.10615 | Q18 | 27 |
| 354.110 | Q67.3B | 7 | 355.00715 | Q1B | 25 | 355.01120 | Q5B | 23 | 355.10615 | Q26 | 11 |
| 354.110 | Q67.4A | 3 | 355.00715 | Q1D | 25 | 355.01120 | Q5D | 23 | 355.10720 | Q23 | 21 |
| 354.110 | Q67.4B | 3 | 355.00715 | Q1E | 26 | 355.01120 | Q5E | 18 | 355.10820 | Q11 | 17 |
| 354.110 | Q67.4D | 3 | 355.00715 | Q1F | 26 | 355.01120 | Q5F | 18 | 355.10820 | Q18 | 44 |
| 354.110 | Q67.4E | 3 | 355.00715 | Q1G | 26 | 355.01120 | Q5G | 18 | 355.10820 | Q20 | 18 |
| 354.110 | Q67.4F | 3 | 355.00715 | Q1H | 26 | 355.01120 | Q5H | 18 | 355.10820 | Q5A | 19 |
| 354.110 | Q67.4G | 3 | 355.00715 | Q25 | 9 | 355.01120 | Q7 | 24 | 355.10820 | Q5B | 19 |
| 354.112 | Q1A | 8 | 355.00915 | Q15A | 15 | 355.01120 | Q8A | 9 | 355.10820 | Q5D | 19 |
| 354.112 | Q1B | 8 | 355.00915 | Q15B | 15 | 355.01120 | Q8B | 9 | 355.10820 | Q8 | 3 |
| 354.112 | Q1D | 8 | 355.00915 | Q15D | 15 | 355.01120 | Q8D | 9 | 355.11010 | Q5E | 1 |
| 354.112 | Q1E | 8 | 355.00915 | Q15E | 9 | 355.01120 | Q8E | 9 | 355.11010 | Q5F | 1 |
| 354.112 | Q1F | 8 | 355.00915 | Q15F | 9 | 355.01120 | Q8F | 9 | 355.11010 | Q5G | 1 |
| 354.112 | Q1G | 8 | 355.00915 | Q15G | 9 | 355.01120 | Q8G | 9 | 355.11010 | Q5H | 1 |
| 354.112 | Q1H | 8 | 355.00915 | Q15H | 9 | 355.01120 | Q8H | 9 | 355.11030 | Q10A | 12 |
| 354.112 | Q11 | 13 | 355.00915 | Q15M | 15 | 355.01120 | Q9B | 29 | 355.11030 | Q10B | 12 |
| 354.112 | Q13 | 2 | 355.00915 | Q15N | 15 | 355.01120 | Q26 | 3 | 355.11030 | Q10D | 12 |
| 354.112 | Q14 | 7 | 355.00915 | Q15P | 15 | 355.01130 | Q67.3A | 25 | 355.11030 | Q10E | 12 |
| 354.112 | Q18 | 18 | 355.00915 | Q15Q | 9 | 355.01130 | Q67.3B | 25 | 355.11030 | Q10F | 15 |
| 354.112 | Q19K | 7 | 355.00915 | Q15R | 9 | 355.01230 | Q18 | 13 | 355.11030 | Q10G | 15 |
| 354.112 | Q19L | 7 | 355.00915 | Q15S | 9 | 355.01320 | Q4A | 17 | 355.11030 | Q10H | 15 |
| 354.112 | Q20 | 5 | 355.00915 | Q15T | 9 | 355.01320 | Q4B | 17 | 355.11030 | Q16 | 24 |
| 354.112 | Q21 | 7 | 355.00915 | Q21 | 13 | 355.01320 | Q4D | 17 | 355.11030 | Q17 | 2 |
| 354.112 | Q4A | 11 | 355.00915 | Q6A | 2 | 355.01330 | Q1A | 7 | 355.11030 | Q21 | 3 |
| 354.112 | Q4B | 11 | 355.00915 | Q6B | 2 | 355.01330 | Q1B | 7 | 355.11030 | Q5A | 7 |
| 354.112 | Q4D | 11 | 355.00915 | Q6D | 2 | 355.01330 | Q1D | 7 | 355.11030 | Q5B | 7 |
| 354.112 | Q4E | 11 | 355.00915 | Q6E | 2 | 355.01330 | Q1E | 7 | 355.11030 | Q5D | 7 |
| 354.112 | Q5A | 2 | 355.00915 | Q6F | 2 | 355.01330 | Q1F | 7 | 355.11030 | Q5E | 12 |
| 354.112 | Q5B | 2 | 355.00915 | Q6G | 2 | 355.01330 | Q1G | 7 | 355.11030 | Q5F | 12 |

ELENCO PARTI DI RICAMBIO -- LISTE DES PIECES DETACHEES -- LISTA DE PIEZAS DE REPUESTO -- SPARE PARTS LIST -- ERSATZTEILLISTE

| NR ORDIN. | TAV. | R. | NR ORDIN. | TAV. | R. | NR ORDIN. | TAV. | R. | NR ORDIN. | TAV. | R. |
|-----------|-------|----|-----------|--------|----|-----------|--------|----|-----------|--------|----|
| 355.11030 | Q5G | 12 | 355.35220 | Q1E | 44 | 357.022 | 067.4F | 5 | 357.135 | Q2 | 10 |
| 355.11030 | Q5H | 12 | 355.35220 | Q1F | 44 | 357.022 | 067.4G | 5 | 357.150 | Q1A | 14 |
| 355.11030 | Q6A | 17 | 355.35220 | Q1G | 44 | 357.027 | Q19A | 3 | 357.150 | Q1B | 14 |
| 355.11030 | Q6B | 17 | 355.35220 | Q1H | 44 | 357.027 | Q19B | 3 | 357.150 | Q1D | 14 |
| 355.11030 | Q6D | 17 | 355.37920 | Q1A | 3 | 357.027 | Q19D | 3 | 357.150 | Q1E | 14 |
| 355.11030 | Q6E | 17 | 355.37920 | Q1B | 3 | 357.027 | Q19E | 3 | 357.150 | Q1F | 14 |
| 355.11030 | Q6F | 17 | 355.37920 | Q1D | 3 | 357.027 | Q19F | 3 | 357.150 | Q1G | 14 |
| 355.11030 | Q6G | 17 | 355.37920 | Q1E | 3 | 357.027 | Q19G | 3 | 357.150 | Q1H | 14 |
| 355.11030 | Q6H | 17 | 355.37920 | Q1F | 3 | 357.032 | Q25A | 8 | 357.803 | Q16 | 2 |
| 355.11030 | Q7 | 14 | 355.37920 | Q1G | 3 | 357.032 | Q25B | 8 | 357.803 | Q17 | 15 |
| 355.11030 | Q8A | 18 | 355.37920 | Q1H | 3 | 357.032 | Q25B | 28 | 357.803 | 067.2 | 12 |
| 355.11030 | Q8B | 18 | 355.40210 | Q4E | 2 | 357.034 | Q12 | 13 | 357.804 | Q19A | 6 |
| 355.11030 | Q8D | 18 | 355.41710 | Q14 | 40 | 357.037 | Q27 | 8 | 357.804 | Q19B | 6 |
| 355.11030 | Q8E | 18 | 355.41710 | Q18 | 50 | 357.0424 | Q19K | 12 | 357.804 | Q19D | 6 |
| 355.11030 | Q8F | 18 | 355.41710 | Q2 | 11 | 357.0424 | Q19L | 12 | 357.804 | Q19E | 6 |
| 355.11030 | Q8G | 18 | 355.41710 | Q3 | 1 | 357.0424 | 067.4H | 12 | 357.804 | Q19F | 6 |
| 355.11030 | Q8H | 18 | 355.41750 | Q2 | 12 | 357.0424 | 067.4L | 12 | 357.804 | Q19G | 6 |
| 355.11030 | Q9A | 9 | 355.45920 | Q4E | 3 | 357.047 | Q18 | 22 | 357.804 | 067.4A | 8 |
| 355.11030 | Q23 | 17 | 355.47110 | Q12 | 35 | 357.047 | 067.3A | 9 | 357.804 | 067.4B | 8 |
| 355.11030 | 067.1 | 23 | 355.61030 | Q12 | 33 | 357.047 | 067.3B | 9 | 357.804 | 067.4D | 8 |
| 355.11050 | Q2 | 15 | 355.61630 | Q22A | 5 | 357.052 | Q11 | 12 | 357.804 | 067.4E | 8 |
| 355.11220 | Q4E | 19 | 355.61630 | Q22B | 5 | 357.052 | Q14 | 16 | 357.804 | 067.4F | 8 |
| 355.11230 | Q11 | 7 | 355.61630 | Q22D | 5 | 357.052 | Q16 | 10 | 357.804 | 067.4G | 8 |
| 355.11230 | Q14 | 14 | 355.61630 | Q22E | 4 | 357.052 | Q18 | 15 | 357.852 | Q11 | 29 |
| 355.11230 | Q20 | 4 | 355.61630 | Q22F | 4 | 357.116 | Q1A | 10 | 358.100 | Q23B | 9 |
| 355.11230 | Q9A | 7 | 355.61630 | Q22G | 4 | 357.116 | Q1B | 10 | 358.100 | Q24E | 16 |
| 355.11230 | Q9B | 14 | 355.61630 | Q22H | 4 | 357.116 | Q1D | 10 | 358.100 | Q24F | 16 |
| 355.11230 | 067.1 | 13 | 355.61630 | Q24A | 11 | 357.116 | Q1E | 10 | 358.100 | Q24G | 16 |
| 355.11230 | 067.2 | 8 | 355.61630 | Q24B | 11 | 357.116 | Q1F | 10 | 358.100 | Q24H | 16 |
| 355.11260 | Q11 | 8 | 355.61630 | Q24D | 11 | 357.116 | Q1G | 10 | 358.109 | Q25A | 4 |
| 355.20830 | 067.1 | 8 | 355.61630 | Q24E | 27 | 357.116 | Q1H | 10 | 358.109 | Q25B | 4 |
| 355.30820 | Q13 | 3 | 355.61630 | Q24F | 27 | 357.120 | Q18 | 23 | 358.109 | Q25B | 24 |
| 355.30820 | Q14 | 5 | 355.61630 | Q24G | 27 | 357.120 | 067.3A | 11 | 358.1101 | Q23B | 8 |
| 355.30830 | Q21 | 8 | 355.61630 | Q24H | 27 | 357.120 | 067.3B | 11 | 358.120 | Q16 | 4 |
| 355.30830 | Q5E | 7 | 355.61630 | Q26A | 2 | 357.125 | Q16 | 9 | 358.123 | Q24E | 11 |
| 355.30830 | Q5F | 7 | 355.61630 | Q26B | 2 | 357.125 | Q18 | 17 | 358.123 | Q24F | 11 |
| 355.30830 | Q5G | 7 | 355.70820 | Q23B | 25 | 357.125 | 067.2 | 6 | 358.123 | Q24G | 11 |
| 355.30830 | Q5H | 7 | 356.058 | Q14 | 32 | 357.125 | 067.3A | 2 | 358.123 | Q24H | 11 |
| 355.32620 | Q1A | 11 | 356.058 | Q29 | 6 | 357.126 | Q1A | 5 | 358.137 | Q27 | 4 |
| 355.32620 | Q1B | 11 | 356.062 | Q18 | 39 | 357.126 | Q18 | 5 | 358.150 | Q24E | 33 |
| 355.32620 | Q1D | 11 | 356.1127 | Q16 | 11 | 357.126 | Q1D | 5 | 358.150 | Q24F | 33 |
| 355.32620 | Q1E | 11 | 356.511 | 067.1 | 17 | 357.126 | Q1E | 5 | 358.150 | Q24G | 33 |
| 355.32620 | Q1F | 11 | 357.022 | 067.4A | 5 | 357.126 | Q1F | 5 | 358.150 | Q24H | 33 |
| 355.32620 | Q1G | 11 | 357.022 | 067.4B | 5 | 357.126 | Q1G | 5 | 358.153 | Q23A | 7 |
| 355.32620 | Q1H | 11 | 357.022 | 067.4D | 5 | 357.126 | Q1H | 5 | 358.158 | Q25A | 10 |
| 355.34350 | Q11 | 19 | 357.022 | 067.4E | 5 | 357.132 | Q4E | 1 | 358.158 | Q25B | 10 |

ELENCO PARTI DI RICAMBIO -- LISTE DES PIECES DETACHEES -- LISTA DE PIEZAS DE REPUESTO -- SPARE PARTS LIST -- ERSATZTEILLISTE

| NR ORDIN. | TAV. | R. | NR ORDIN. | TAV. | R. | NR ORDIN. | TAV. | R. | NR ORDIN. | TAV. | R. |
|-----------|-------|----|-----------|--------|----|-----------|--------|----|-----------|--------|----|
| 358.158 | Q25B | 30 | 373.115 | Q18 | 35 | 378.660 | 067.4L | 4 | 4.1238.50 | 067.4K | 10 |
| 358.173 | Q12 | 30 | 377.320 | Q16 | 28 | 378.735 | 067.3A | 17 | 4.1238.50 | 067.4L | 10 |
| 358.197 | Q23B | 29 | 377.320 | Q26A | 11 | 378.735 | 067.3B | 17 | 401.135 | Q12 | 21 |
| 358.312 | Q12 | 22 | 377.320 | Q26B | 12 | 378.740 | 067.3B | 6 | 401.225 | Q16 | 8 |
| 358.3192 | Q12 | 29 | 377.425 | Q12 | 5 | 378.745 | Q4A | 14 | 401.520 | Q18 | 21 |
| 358.7100 | Q25A | 12 | 377.425 | Q2 | 2 | 378.745 | Q4B | 14 | 401.520 | 067.3A | 12 |
| 358.7100 | Q25B | 12 | 377.425 | Q3 | 4 | 378.745 | Q40 | 14 | 401.520 | 067.3B | 12 |
| 358.7100 | Q25B | 32 | 377.425 | Q4A | 3 | 378.750 | Q15A | 24 | 401.525 | Q11 | 11 |
| 358.7105 | Q27 | 3 | 377.425 | Q4B | 3 | 378.750 | Q15B | 24 | 401.525 | Q14 | 26 |
| 358.7109 | Q27 | 6 | 377.425 | Q4D | 3 | 378.750 | Q150 | 24 | 401.525 | Q17 | 20 |
| 358.7122 | Q25A | 11 | 377.425 | Q4E | 5 | 378.750 | Q15E | 21 | 401.525 | Q18 | 7 |
| 358.7122 | Q25B | 11 | 377.430 | Q14 | 36 | 378.750 | Q15F | 21 | 401.525 | 067.2 | 3 |
| 358.7122 | Q25B | 31 | 377.430 | Q9B | 5 | 378.750 | Q15G | 21 | 401.525 | 067.3A | 15 |
| 358.7127 | Q23A | 4 | 377.440 | Q1A | 27 | 378.750 | Q15H | 21 | 401.525 | 067.3B | 15 |
| 358.7129 | Q23A | 3 | 377.440 | Q1B | 27 | 378.750 | Q15M | 24 | 402.125 | Q12 | 8 |
| 358.7131 | Q25A | 6 | 377.440 | Q1D | 28 | 378.750 | Q15N | 24 | 406.445 | Q12 | 10 |
| 358.7131 | Q25B | 6 | 377.440 | Q1E | 30 | 378.750 | Q15P | 24 | 409.025 | 067.2 | 10 |
| 358.7131 | Q25B | 26 | 377.440 | Q1F | 30 | 378.750 | Q15Q | 21 | 409.034 | Q16 | 7 |
| 358.7141 | Q23B | 10 | 377.440 | Q1G | 30 | 378.750 | Q15R | 21 | 409.084 | Q16 | 6 |
| 358.7146 | Q23B | 4 | 377.440 | Q1H | 30 | 378.750 | Q15S | 21 | 409.090 | Q12 | 28 |
| 358.7146 | Q23B | 24 | 377.440 | Q18 | 24 | 378.750 | Q15T | 21 | 411.009 | Q14 | 22 |
| 358.7147 | Q23B | 3 | 378.220 | Q9A | 5 | 378.755 | Q4A | 2 | 411.009 | Q15A | 19 |
| 358.7147 | Q23B | 23 | 378.220 | Q9B | 16 | 378.755 | Q4B | 2 | 411.009 | Q15B | 19 |
| 358.725 | 067.2 | 9 | 378.445 | Q4A | 13 | 378.755 | Q4D | 2 | 411.009 | Q15D | 19 |
| 359.405 | Q12 | 20 | 378.445 | Q4B | 13 | 379.359 | Q4A | 15 | 411.009 | Q15E | 16 |
| 371.313 | 067.1 | 3 | 378.445 | Q4D | 13 | 379.359 | Q4B | 15 | 411.009 | Q15F | 16 |
| 371.314 | Q10A | 5 | 378.450 | Q15A | 25 | 379.359 | Q4D | 15 | 411.009 | Q15G | 16 |
| 371.314 | Q10B | 5 | 378.450 | Q15B | 25 | 379.359 | Q4E | 17 | 411.009 | Q15H | 16 |
| 371.314 | Q10D | 5 | 378.450 | Q15D | 25 | 379.372 | Q2 | 9 | 411.009 | Q15M | 19 |
| 371.314 | Q10E | 5 | 378.450 | Q15E | 22 | 379.372 | Q26A | 12 | 411.009 | Q15N | 19 |
| 371.314 | Q10F | 3 | 378.450 | Q15F | 22 | 379.372 | Q26B | 13 | 411.009 | Q15P | 19 |
| 371.314 | Q10G | 3 | 378.450 | Q15G | 22 | 379.372 | Q3 | 8 | 411.009 | Q15Q | 16 |
| 371.314 | Q10H | 3 | 378.450 | Q15H | 22 | 379.375 | Q2 | 1 | 411.009 | Q15R | 16 |
| 371.317 | Q10F | 6 | 378.450 | Q15M | 25 | 379.375 | Q3 | 5 | 411.009 | Q15S | 16 |
| 371.317 | Q10G | 6 | 378.450 | Q15N | 25 | 382.019 | Q12 | 24 | 411.009 | Q15T | 16 |
| 371.317 | Q10H | 6 | 378.450 | Q15P | 25 | 382.440 | Q13 | 12 | 411.010 | Q17 | 5 |
| 371.328 | Q10A | 6 | 378.450 | Q15Q | 22 | 383.470 | Q18 | 30 | 411.012 | 067.3A | 21 |
| 371.328 | Q10B | 6 | 378.450 | Q15R | 22 | 383.480 | Q14 | 1 | 411.012 | 067.3B | 21 |
| 371.328 | Q10D | 6 | 378.450 | Q15S | 22 | 383.738 | Q12 | 15 | 411.204 | 067.3A | 23 |
| 371.328 | Q10E | 6 | 378.450 | Q15T | 22 | 384.4110 | Q17 | 12 | 411.204 | 067.3B | 23 |
| 371.328 | Q10F | 8 | 378.455 | Q4A | 1 | 384.540 | 067.3E | 2 | 411.205 | Q14 | 24 |
| 371.328 | Q10G | 8 | 378.455 | Q4B | 1 | 384.550 | Q17 | 11 | 411.205 | Q15A | 21 |
| 371.328 | Q10H | 8 | 378.455 | Q4D | 1 | 384.750 | 067.3A | 6 | 411.205 | Q15B | 21 |
| 371.334 | Q10F | 7 | 378.660 | Q19K | 4 | 389.405 | Q17 | 24 | 411.205 | Q15D | 21 |
| 371.334 | Q10G | 7 | 378.660 | Q19L | 4 | 4.1238.50 | Q19K | 10 | 411.205 | Q15E | 18 |
| 371.334 | Q10H | 7 | 378.660 | 067.4K | 4 | 4.1238.50 | Q19L | 10 | 411.205 | Q15F | 18 |

ELENCO PARTI DI RICAMBIO -- LISTE DES PIECES DETACHEES -- LISTA DE PIEZAS DE REPUESTO -- SPARE PARTS LIST -- ERSATZTEILLISTE

| NR ORDIN. | TAV. | R. | NR ORDIN. | TAV. | R. | NR ORDIN. | TAV. | R. | NR ORDIN. | TAV. | R. |
|-----------|--------|----|-----------|------|----|-----------|-------|----|-----------|--------|----|
| 411.205 | Q15G | 18 | 437.5141 | Q18 | 11 | 481.802 | Q28 | 3 | 611.0820 | Q1F | 29 |
| 411.205 | Q15H | 18 | 437.5163 | Q14 | 17 | 481.802 | Q23 | 3 | 611.0820 | Q1G | 29 |
| 411.205 | Q15M | 21 | 437.5170 | Q14 | 17 | 485.304 | Q27 | 11 | 611.0820 | Q1H | 29 |
| 411.205 | Q15N | 21 | 437.5186 | Q14 | 17 | 485.342 | Q25A | 15 | 611.0822 | Q1A | 2 |
| 411.205 | Q15P | 21 | 437.950 | Q18 | 8 | 485.342 | Q25B | 15 | 611.0822 | Q1B | 2 |
| 411.205 | Q15Q | 18 | 437.977 | Q18 | 9 | 485.342 | Q25B | 35 | 611.0822 | Q1D | 2 |
| 411.205 | Q15R | 18 | 441.800 | Q9A | 2 | 485.372 | Q23A | 13 | 611.0822 | Q1E | 2 |
| 411.205 | Q15S | 18 | 443.002 | Q30A | 2 | 485.383 | Q23B | 31 | 611.0822 | Q1F | 2 |
| 411.205 | Q15T | 18 | 443.003 | Q10A | 2 | 485.384 | Q23B | 16 | 611.0822 | Q1G | 2 |
| 411.206 | Q17 | 7 | 443.003 | Q10B | 2 | 6.1717.00 | Q19A | 2 | 611.0822 | Q1H | 2 |
| 411.404 | 067.3A | 22 | 443.003 | Q10D | 2 | 6.1717.00 | Q19B | 2 | 611.0822 | Q15A | 8 |
| 411.404 | 067.3B | 22 | 443.003 | Q10E | 2 | 6.1717.00 | Q19D | 2 | 611.0822 | Q15B | 8 |
| 411.405 | Q14 | 23 | 443.003 | Q10F | 2 | 6.1717.00 | Q19E | 2 | 611.0822 | Q15D | 8 |
| 411.405 | Q15A | 20 | 443.003 | Q10G | 2 | 6.1717.00 | Q19F | 2 | 611.0822 | Q15E | 33 |
| 411.405 | Q15B | 20 | 443.003 | Q10H | 2 | 6.1717.00 | Q19G | 2 | 611.0822 | Q15F | 33 |
| 411.405 | Q15D | 20 | 443.003 | Q29 | 1 | 600.0607 | Q18 | 47 | 611.0822 | Q15G | 33 |
| 411.405 | Q15E | 17 | 443.003 | Q30B | 2 | 600.0814 | Q15A | 28 | 611.0822 | Q15H | 33 |
| 411.405 | Q15F | 17 | 445.124 | Q12 | 12 | 600.0814 | Q15B | 28 | 611.0822 | Q15M | 8 |
| 411.405 | Q15G | 17 | 478.019 | Q31 | 5 | 600.0814 | Q15D | 28 | 611.0822 | Q15N | 8 |
| 411.405 | Q15H | 17 | 478.1145 | Q31 | 6 | 600.0814 | Q15E | 25 | 611.0822 | Q15P | 8 |
| 411.405 | Q15M | 20 | 478.1146 | Q31 | 6 | 600.0814 | Q15F | 25 | 611.0822 | Q15Q | 33 |
| 411.405 | Q15N | 20 | 478.1147 | Q31 | 6 | 600.0814 | Q15G | 25 | 611.0822 | Q15R | 33 |
| 411.405 | Q15P | 20 | 478.1148 | Q31 | 6 | 600.0814 | Q15H | 25 | 611.0822 | Q15S | 33 |
| 411.405 | Q15Q | 17 | 478.1149 | Q31 | 6 | 600.0814 | Q15M | 28 | 611.0822 | Q15T | 33 |
| 411.405 | Q15R | 17 | 478.1150 | Q31 | 6 | 600.0814 | Q15N | 28 | 611.1028 | Q16 | 22 |
| 411.405 | Q15S | 17 | 478.1151 | Q31 | 6 | 600.0814 | Q15P | 28 | 611.1028 | 067.4A | 2 |
| 411.405 | Q15T | 17 | 478.2163 | Q31 | 2 | 600.0814 | Q15Q | 25 | 611.1028 | 067.4B | 2 |
| 411.406 | Q17 | 6 | 478.301 | Q31 | 3 | 600.0814 | Q15R | 25 | 611.1028 | 067.4D | 2 |
| 415.037 | Q20 | 11 | 478.319 | Q31 | 4 | 600.0814 | Q15S | 25 | 611.1028 | 067.4E | 2 |
| 415.063 | Q16 | 27 | 479.000 | Q31 | 1 | 600.0814 | Q15T | 25 | 611.1028 | 067.4F | 2 |
| 415.081 | Q3 | 13 | 479.000 | Q5H | 21 | 600.0816 | Q9A | 19 | 611.1028 | 067.4G | 2 |
| 415.082 | Q2 | 8 | 481.005 | Q23 | 32 | 600.0816 | Q22 | 6 | 611.1032 | Q10A | 8 |
| 415.213 | Q9A | 8 | 481.009 | Q23 | 33 | 600.0822 | Q23 | 38 | 611.1032 | Q10B | 8 |
| 415.213 | Q9B | 15 | 481.011 | Q23 | 34 | 600.1024 | Q9B | 20 | 611.1032 | Q10D | 8 |
| 433.418 | Q8 | 7 | 481.4162 | Q28 | 9 | 600.1028 | Q11 | 1 | 611.1032 | Q10E | 8 |
| 433.421 | Q8A | 15 | 481.4163 | Q28 | 2 | 600.1030 | Q9A | 13 | 611.1032 | Q10F | 11 |
| 433.421 | Q8B | 15 | 481.4164 | Q23 | 35 | 600.1030 | 067.1 | 29 | 611.1032 | Q10G | 11 |
| 433.421 | Q8D | 15 | 481.4165 | Q23 | 36 | 600.1034 | 067.1 | 28 | 611.1032 | Q10H | 11 |
| 433.421 | Q8E | 15 | 481.4167 | Q23 | 1 | 611.0624 | Q1A | 24 | 611.1032 | Q18 | 6 |
| 433.421 | Q8F | 15 | 481.4170 | Q23 | 15 | 611.0624 | Q1B | 24 | 611.1032 | Q19A | 11 |
| 433.421 | Q8G | 15 | 481.4171 | Q23 | 14 | 611.0624 | Q1D | 24 | 611.1032 | Q19B | 11 |
| 433.421 | Q8H | 15 | 481.422 | Q23 | 8 | 611.0624 | Q1E | 27 | 611.1032 | Q19D | 11 |
| 434.138 | Q17 | 13 | 481.802 | Q24E | 1 | 611.0624 | Q1F | 27 | 611.1032 | Q19E | 11 |
| 437.5100 | Q14 | 18 | 481.802 | Q24F | 1 | 611.0624 | Q1G | 27 | 611.1032 | Q19F | 11 |
| 437.5100 | Q18 | 12 | 481.802 | Q24G | 1 | 611.0624 | Q1H | 27 | 611.1032 | Q19G | 11 |
| 437.5101 | Q14 | 19 | 481.802 | Q24H | 1 | 611.0820 | Q1E | 29 | 611.1032 | Q29 | 8 |

ELENCO PARTI DI RICAMBIO -- LISTE DES PIECES DETACHEES -- LISTA DE PIEZAS DE REPUESTO -- SPARE PARTS LIST -- ERSATZTEILLISTE

| NR ORDIN. | TAV. | R. | NR ORDIN. | TAV. | R. | NR ORDIN. | TAV. | R. | NR ORDIN. | TAV. | R. |
|-----------|--------|----|-----------|--------|----|-----------|--------|----|-----------|--------|----|
| 611.1032 | Q3 | 3 | 621.0618 | Q19K | 13 | 621.0814 | Q15F | 10 | 621.1014 | Q15B | 18 |
| 611.1032 | Q9B | 30 | 621.0618 | Q19L | 13 | 621.0814 | Q15G | 10 | 621.1014 | Q15D | 18 |
| 611.1032 | Q67.3A | 4 | 621.0618 | Q24D | 16 | 621.0814 | Q15H | 10 | 621.1014 | Q15E | 15 |
| 611.1036 | Q18 | 41 | 621.0618 | Q67.4K | 13 | 621.0814 | Q15M | 14 | 621.1014 | Q15F | 15 |
| 611.1036 | Q2 | 6 | 621.0618 | Q67.4L | 13 | 621.0814 | Q15N | 14 | 621.1014 | Q15G | 15 |
| 611.1036 | Q5A | 12 | 621.0620 | Q24E | 4 | 621.0814 | Q15P | 14 | 621.1014 | Q15H | 15 |
| 611.1036 | Q5B | 12 | 621.0620 | Q24F | 4 | 621.0814 | Q15Q | 10 | 621.1014 | Q15M | 18 |
| 611.1036 | Q5D | 12 | 621.0620 | Q24G | 4 | 621.0814 | Q15R | 10 | 621.1014 | Q15N | 18 |
| 611.1042 | Q16 | 16 | 621.0620 | Q24H | 4 | 621.0814 | Q15S | 10 | 621.1014 | Q15P | 18 |
| 611.1042 | Q2 | 14 | 621.0622 | Q24A | 17 | 621.0814 | Q15T | 10 | 621.1014 | Q15Q | 15 |
| 611.1042 | Q3 | 2 | 621.0622 | Q24B | 17 | 621.0814 | Q16 | 18 | 621.1014 | Q15R | 15 |
| 611.1228 | Q28 | 7 | 621.0622 | Q24D | 17 | 621.0814 | Q18 | 46 | 621.1014 | Q15S | 15 |
| 611.1230 | Q4E | 8 | 621.0624 | Q24E | 32 | 621.0814 | Q20 | 17 | 621.1014 | Q15T | 15 |
| 611.1234 | Q19K | 6 | 621.0624 | Q24F | 32 | 621.0814 | Q5A | 18 | 621.1014 | Q5E | 16 |
| 611.1234 | Q19L | 6 | 621.0624 | Q24G | 32 | 621.0814 | Q5B | 18 | 621.1014 | Q5F | 16 |
| 611.1234 | Q28 | 6 | 621.0624 | Q24H | 32 | 621.0814 | Q5D | 18 | 621.1014 | Q5G | 16 |
| 611.1234 | Q67.4K | 6 | 621.0807 | Q7 | 7 | 621.0814 | Q7 | 12 | 621.1014 | Q5H | 16 |
| 611.1234 | Q67.4L | 6 | 621.0812 | Q1A | 13 | 621.0814 | Q8 | 1 | 621.1014 | Q7 | 2 |
| 611.1242 | Q20 | 10 | 621.0812 | Q1B | 13 | 621.0814 | Q8A | 2 | 621.1016 | Q26A | 14 |
| 611.1434 | Q26A | 10 | 621.0812 | Q1D | 13 | 621.0814 | Q8B | 2 | 621.1016 | Q26B | 18 |
| 611.1434 | Q26B | 10 | 621.0812 | Q1E | 13 | 621.0814 | Q8D | 2 | 621.1016 | Q28 | 17 |
| 612.0848 | Q16 | 1 | 621.0812 | Q1F | 13 | 621.0814 | Q8E | 2 | 621.1016 | Q5A | 22 |
| 616.1230 | Q11 | 6 | 621.0812 | Q1G | 13 | 621.0814 | Q8F | 2 | 621.1016 | Q5B | 22 |
| 616.1230 | Q67.2 | 7 | 621.0812 | Q1H | 13 | 621.0814 | Q8G | 2 | 621.1016 | Q5D | 22 |
| 616.1234 | Q14 | 30 | 621.0812 | Q15A | 10 | 621.0814 | Q8H | 2 | 621.1016 | Q5E | 11 |
| 616.1238 | Q5E | 9 | 621.0812 | Q15B | 10 | 621.0814 | Q23 | 9 | 621.1016 | Q5F | 11 |
| 616.1238 | Q5F | 9 | 621.0812 | Q15D | 10 | 621.0814 | Q67.1 | 19 | 621.1016 | Q5G | 11 |
| 616.1238 | Q5G | 9 | 621.0812 | Q15E | 5 | 621.0814 | Q67.3A | 28 | 621.1016 | Q5H | 11 |
| 616.1238 | Q5H | 9 | 621.0812 | Q15F | 5 | 621.0814 | Q67.3B | 28 | 621.1016 | Q7 | 13 |
| 616.1424 | Q5A | 5 | 621.0812 | Q15G | 5 | 621.0818 | Q24A | 5 | 621.1016 | Q8A | 10 |
| 616.1424 | Q5B | 5 | 621.0812 | Q15H | 5 | 621.0818 | Q24B | 5 | 621.1016 | Q8B | 10 |
| 616.1424 | Q5D | 5 | 621.0812 | Q15M | 10 | 621.0818 | Q24D | 5 | 621.1016 | Q8D | 10 |
| 616.1428 | Q11 | 23 | 621.0812 | Q15N | 10 | 621.0818 | Q24E | 15 | 621.1016 | Q8E | 10 |
| 621.0607 | Q18 | 26 | 621.0812 | Q15P | 10 | 621.0818 | Q24F | 15 | 621.1016 | Q8F | 10 |
| 621.0612 | Q11 | 25 | 621.0812 | Q15Q | 5 | 621.0818 | Q24G | 15 | 621.1016 | Q8G | 10 |
| 621.0616 | Q22A | 10 | 621.0812 | Q15R | 5 | 621.0818 | Q24H | 15 | 621.1016 | Q8H | 10 |
| 621.0616 | Q22B | 10 | 621.0812 | Q15S | 5 | 621.0818 | Q67.1 | 1 | 621.1016 | Q23 | 16 |
| 621.0616 | Q22D | 10 | 621.0812 | Q15T | 5 | 621.0818 | Q67.2 | 4 | 621.1016 | Q67.3A | 16 |
| 621.0616 | Q22E | 13 | 621.0812 | Q23B | 26 | 621.0820 | Q24E | 29 | 621.1016 | Q67.3B | 16 |
| 621.0616 | Q22F | 13 | 621.0812 | Q24 | 4 | 621.0820 | Q24F | 29 | 621.1018 | Q12 | 1 |
| 621.0616 | Q22G | 13 | 621.0812 | Q24 | 14 | 621.0820 | Q24G | 29 | 621.1018 | Q5A | 17 |
| 621.0616 | Q22H | 13 | 621.0814 | Q11 | 15 | 621.0820 | Q24H | 29 | 621.1018 | Q5B | 17 |
| 621.0616 | Q24A | 16 | 621.0814 | Q15A | 14 | 621.0820 | Q67.1 | 24 | 621.1018 | Q5D | 17 |
| 621.0616 | Q24B | 16 | 621.0814 | Q15B | 14 | 621.1011 | Q26 | 1 | 621.1018 | Q5E | 17 |
| 621.0616 | Q26A | 7 | 621.0814 | Q15D | 14 | 621.1012 | Q12 | 34 | 621.1018 | Q5F | 17 |
| 621.0616 | Q26B | 5 | 621.0814 | Q15E | 10 | 621.1014 | Q15A | 18 | 621.1018 | Q5G | 17 |

ELENCO PARTI DI RICAMBIO -- LISTE DES PIECES DETACHEES -- LISTA DE PIEZAS DE REPUESTO -- SPARE PARTS LIST -- ERSATZTEILLISTE

| NP ORDIN. | TAV. | R. | NR ORDIN. | TAV. | R. | NR ORDIN. | TAV. | R. | NR ORDIN. | TAV. | R. |
|-----------|--------|----|-----------|--------|----|-----------|------|----|-----------|--------|----|
| 621.1018 | Q5H | 17 | 626.1218 | Q5B | 3 | 650.108 | Q1A | 22 | 650.108 | Q8B | 5 |
| 621.1018 | Q6A | 15 | 626.1218 | Q5D | 3 | 650.108 | Q1B | 22 | 650.108 | Q8D | 5 |
| 621.1018 | Q6B | 15 | 626.1220 | Q14 | 28 | 650.108 | Q1D | 22 | 650.108 | Q8E | 5 |
| 621.1018 | Q6D | 15 | 626.1220 | Q21 | 6 | 650.108 | Q1E | 22 | 650.108 | Q8F | 5 |
| 621.1018 | Q6E | 15 | 626.1220 | Q5E | 8 | 650.108 | Q1F | 22 | 650.108 | Q8G | 5 |
| 621.1018 | Q6F | 15 | 626.1220 | Q5F | 8 | 650.108 | Q1G | 22 | 650.108 | Q8H | 5 |
| 621.1018 | Q6G | 15 | 626.1220 | Q5G | 8 | 650.108 | Q1H | 22 | 650.108 | Q9A | 17 |
| 621.1018 | Q6H | 15 | 626.1220 | Q5H | 8 | 650.108 | Q1SA | 2 | 650.108 | Q9B | 18 |
| 621.1018 | Q7 | 17 | 626.1224 | Q9B | 24 | 650.108 | C15B | 2 | 650.108 | Q23 | 12 |
| 621.1020 | Q10B | 20 | 626.1418 | Q5A | 16 | 650.108 | Q15D | 2 | 650.108 | Q23 | 27 |
| 621.1020 | Q10D | 20 | 626.1418 | Q5B | 16 | 650.108 | Q15E | 11 | 650.108 | Q24 | 1 |
| 621.1020 | Q10E | 20 | 626.1418 | Q5D | 16 | 650.108 | Q15F | 11 | 650.108 | Q24 | 11 |
| 621.1020 | Q10F | 23 | 630.0814 | Q12 | 32 | 650.108 | Q15G | 11 | 650.108 | Q67.1 | 10 |
| 621.1020 | Q10G | 23 | 630.1020 | Q10A | 20 | 650.108 | Q15H | 11 | 650.108 | Q67.2A | 17 |
| 621.1020 | Q10H | 23 | 630.1020 | Q10B | 24 | 650.108 | Q15M | 2 | 650.108 | Q67.3A | 19 |
| 621.1020 | Q16 | 25 | 630.1020 | Q10D | 24 | 650.108 | Q15N | 2 | 650.108 | Q67.3B | 19 |
| 621.1020 | Q17 | 22 | 630.1020 | Q10E | 24 | 650.108 | Q15P | 2 | 650.110 | Q1A | 36 |
| 621.1020 | Q8A | 19 | 630.1020 | Q10F | 27 | 650.108 | Q15Q | 11 | 650.110 | Q1B | 36 |
| 621.1020 | Q8B | 19 | 630.1020 | Q10G | 27 | 650.108 | Q15R | 11 | 650.110 | Q1D | 37 |
| 621.1020 | Q8D | 19 | 630.1020 | Q10H | 27 | 650.108 | Q15S | 11 | 650.110 | Q1E | 40 |
| 621.1020 | Q8E | 19 | 650.008 | Q22 | 8 | 650.108 | Q15T | 11 | 650.110 | Q1F | 40 |
| 621.1020 | Q8F | 19 | 650.010 | Q10A | 23 | 650.108 | Q20 | 15 | 650.110 | Q1G | 40 |
| 621.1020 | Q8G | 19 | 650.010 | Q10B | 23 | 650.108 | Q21 | 11 | 650.110 | Q1H | 40 |
| 621.1020 | Q8H | 19 | 650.010 | Q10D | 23 | 650.108 | Q24A | 1 | 650.110 | Q10A | 9 |
| 621.1020 | Q67.3A | 24 | 650.010 | Q10E | 23 | 650.108 | Q24B | 1 | 650.110 | Q10B | 9 |
| 621.1020 | Q67.3B | 24 | 650.010 | Q10F | 28 | 650.108 | Q24D | 1 | 650.110 | Q10D | 9 |
| 621.1022 | Q17 | 1 | 650.010 | Q10G | 28 | 650.108 | Q24E | 31 | 650.110 | Q10E | 9 |
| 621.1116 | Q21 | 4 | 650.010 | Q10H | 28 | 650.108 | Q24F | 31 | 650.110 | Q10F | 12 |
| 621.1216 | Q4A | 10 | 650.106 | Q11 | 21 | 650.108 | Q24G | 31 | 650.110 | Q10G | 12 |
| 621.1216 | Q4B | 10 | 650.106 | Q18 | 28 | 650.108 | Q24H | 31 | 650.110 | Q10H | 12 |
| 621.1216 | Q4D | 10 | 650.106 | Q19K | 18 | 650.108 | Q5A | 21 | 650.110 | Q11 | 5 |
| 621.1216 | Q4E | 10 | 650.106 | Q19L | 18 | 650.108 | Q5B | 21 | 650.110 | Q13 | 6 |
| 621.1218 | Q4A | 16 | 650.106 | Q22E | 8 | 650.108 | Q5D | 21 | 650.110 | Q14 | 8 |
| 621.1218 | Q4B | 16 | 650.106 | Q22F | 8 | 650.108 | Q5E | 21 | 650.110 | Q15A | 9 |
| 621.1218 | Q4D | 16 | 650.106 | Q22G | 8 | 650.108 | Q5F | 21 | 650.110 | Q15B | 9 |
| 621.1224 | Q67.1 | 12 | 650.106 | Q22H | 8 | 650.108 | Q5G | 21 | 650.110 | Q15D | 9 |
| 621.1226 | Q18 | 19 | 650.106 | Q24A | 10 | 650.108 | Q5H | 24 | 650.110 | Q15E | 34 |
| 621.1226 | Q9A | 6 | 650.106 | Q24B | 10 | 650.108 | Q6A | 4 | 650.110 | Q15F | 34 |
| 621.1226 | Q9B | 17 | 650.106 | Q24D | 10 | 650.108 | Q6B | 4 | 650.110 | Q15G | 34 |
| 621.1230 | Q9A | 24 | 650.106 | Q24E | 9 | 650.108 | Q6D | 4 | 650.110 | Q15H | 34 |
| 621.1246 | Q20 | 1 | 650.106 | Q24F | 9 | 650.108 | Q6E | 4 | 650.110 | Q15M | 9 |
| 622.0612 | Q25 | 3 | 650.106 | Q24G | 9 | 650.108 | Q6F | 4 | 650.110 | Q15N | 9 |
| 622.0618 | Q25 | 6 | 650.106 | Q24H | 9 | 650.108 | Q6G | 4 | 650.110 | Q15P | 9 |
| 622.1224 | Q11 | 26 | 650.106 | Q26B | 14 | 650.108 | Q6H | 4 | 650.110 | Q15Q | 34 |
| 626.1024 | Q67.2 | 22 | 650.106 | Q67.4K | 18 | 650.108 | Q7 | 20 | 650.110 | Q15R | 34 |
| 626.1218 | Q5A | 3 | 650.106 | Q67.4L | 18 | 650.108 | Q8A | 5 | 650.110 | Q15S | 34 |

ELENCO PARTI DI RICAMBIO -- LISTE DES PIECES DETACHEES -- LISTA DE PIEZAS DE REPUESTO -- SPARE PARTS LIST -- ERSATZTEILLISTE

| NR ORDIN. | TAV. | R. | NR ORDIN. | TAV. | R. | NR ORDIN. | TAV. | R. | NR ORDIN. | TAV. | R. |
|-----------|--------|----|-----------|--------|----|-----------|-------|----|-----------|------|----|
| 650.110 | Q15T | 34 | 650.110 | 067.4D | 4 | 650.614 | Q5A | 15 | 653.612 | Q25B | 22 |
| 650.110 | Q16 | 26 | 650.110 | 067.4E | 4 | 650.614 | Q5B | 15 | 653.614 | Q23B | 12 |
| 650.110 | Q17 | 3 | 650.110 | 067.4F | 4 | 650.614 | Q50 | 15 | 654.006 | 023 | 20 |
| 650.110 | Q18 | 1 | 650.110 | 067.4G | 4 | 650.630 | Q11 | 32 | 655.006 | 025 | 5 |
| 650.110 | Q19A | 14 | 650.112 | Q19K | 8 | 650.716 | 067.2 | 1 | | | |
| 650.110 | Q19E | 14 | 650.112 | Q19L | 8 | 650.718 | Q23A | 2 | | | |
| 650.110 | Q19D | 14 | 650.112 | Q20 | 2 | 650.718 | Q23B | 2 | | | |
| 650.110 | Q19E | 14 | 650.112 | Q4E | 12 | 650.718 | Q23B | 22 | | | |
| 650.110 | Q19F | 14 | 650.112 | Q9A | 25 | 650.720 | Q11 | 20 | | | |
| 650.110 | Q19G | 14 | 650.112 | 067.1 | 15 | 652.620 | Q14 | 37 | | | |
| 650.110 | Q2 | 3 | 650.112 | 067.4K | 8 | 652.716 | Q12 | 6 | | | |
| 650.110 | Q20 | 9 | 650.112 | 067.4L | 8 | 652.720 | Q18 | 43 | | | |
| 650.110 | Q21 | 1 | 650.208 | Q16 | 13 | 653.108 | Q15A | 6 | | | |
| 650.110 | Q29 | 9 | 650.210 | Q10A | 10 | 653.108 | Q15B | 6 | | | |
| 650.110 | Q3 | 10 | 650.210 | Q10B | 10 | 653.108 | Q150 | 6 | | | |
| 650.110 | Q5A | 9 | 650.210 | Q10D | 10 | 653.108 | Q15E | 31 | | | |
| 650.110 | Q5B | 9 | 650.210 | Q10E | 10 | 653.108 | Q15F | 31 | | | |
| 650.110 | Q50 | 9 | 650.210 | Q10F | 13 | 653.108 | Q15G | 31 | | | |
| 650.110 | Q5E | 14 | 650.210 | Q10G | 13 | 653.108 | Q15H | 31 | | | |
| 650.110 | Q5F | 14 | 650.210 | Q10H | 13 | 653.108 | Q15M | 6 | | | |
| 650.110 | Q5G | 14 | 650.210 | Q16 | 14 | 653.108 | Q15N | 6 | | | |
| 650.110 | Q5H | 14 | 650.210 | Q29 | 10 | 653.108 | Q15P | 6 | | | |
| 650.110 | Q6A | 18 | 650.212 | Q28 | 4 | 653.108 | Q15Q | 31 | | | |
| 650.110 | Q6B | 18 | 650.214 | Q26A | 9 | 653.108 | Q15R | 31 | | | |
| 650.110 | Q6D | 18 | 650.214 | Q26B | 9 | 653.108 | Q15S | 31 | | | |
| 650.110 | Q6E | 18 | 650.216 | Q25A | 13 | 653.108 | Q15T | 31 | | | |
| 650.110 | Q6F | 18 | 650.216 | Q25B | 13 | 653.112 | Q9A | 16 | | | |
| 650.110 | Q6G | 18 | 650.216 | Q25B | 33 | 653.112 | Q9B | 13 | | | |
| 650.110 | Q6H | 18 | 650.216 | Q27 | 9 | 653.406 | Q1A | 30 | | | |
| 650.110 | Q7 | 4 | 650.512 | 067.2 | 16 | 653.406 | Q1B | 30 | | | |
| 650.110 | Q8A | 7 | 650.612 | Q1A | 9 | 653.406 | Q10 | 31 | | | |
| 650.110 | Q8B | 7 | 650.612 | Q1B | 9 | 653.406 | Q1E | 35 | | | |
| 650.110 | Q8D | 7 | 650.612 | Q1D | 9 | 653.406 | Q1F | 35 | | | |
| 650.110 | Q8E | 7 | 650.612 | Q1E | 9 | 653.406 | Q1G | 35 | | | |
| 650.110 | Q8F | 7 | 650.612 | Q1F | 9 | 653.406 | Q1H | 35 | | | |
| 650.110 | Q8G | 7 | 650.612 | Q1G | 9 | 653.408 | Q1A | 16 | | | |
| 650.110 | Q8H | 7 | 650.612 | Q1H | 9 | 653.408 | Q1B | 16 | | | |
| 650.110 | Q9A | 11 | 650.612 | Q11 | 14 | 653.408 | Q1D | 16 | | | |
| 650.110 | Q9B | 10 | 650.612 | Q13 | 1 | 653.408 | Q1E | 16 | | | |
| 650.110 | Q23 | 25 | 650.612 | Q14 | 10 | 653.408 | Q1F | 16 | | | |
| 650.110 | 067.1 | 21 | 650.612 | Q21 | 9 | 653.408 | Q1G | 16 | | | |
| 650.110 | 067.3A | 8 | 650.612 | Q5E | 6 | 653.408 | Q1H | 16 | | | |
| 650.110 | 067.3A | 31 | 650.612 | Q5F | 6 | 653.520 | Q17 | 18 | | | |
| 650.110 | 067.3B | 8 | 650.612 | Q5G | 6 | 653.610 | 067.2 | 20 | | | |
| 650.110 | 067.4A | 4 | 650.612 | Q5H | 6 | 653.612 | Q25A | 2 | | | |
| 650.110 | 067.4B | 4 | 650.614 | Q11 | 31 | 653.612 | Q25B | 2 | | | |